



US00D878469S

(12) **United States Design Patent** (10) **Patent No.:** **US D878,469 S**  
**Kinner** (45) **Date of Patent:** **\*\* Mar. 17, 2020**

(54) **GAME TARGET STAND WITH FLYING DISKS**

D506,219 S \* 6/2005 Eason ..... D16/244  
D509,261 S \* 9/2005 Tebbe ..... D21/452  
D549,015 S \* 8/2007 Petrick ..... D6/681

(Continued)

(71) Applicant: **Omnigames Inc.**, Colorado Springs, CO (US)

(72) Inventor: **Michael Kinner**, Colorado Springs, CO (US)

(73) Assignee: **Omnigames Inc.**, Colorado Springs, CO (US)

(\*\*) Term: **15 Years**

(21) Appl. No.: **29/637,260**

(22) Filed: **Feb. 15, 2018**

(51) **LOC (12) Cl.** ..... **21-01**

(52) **U.S. Cl.**  
USPC ..... **D21/301**

(58) **Field of Classification Search**  
USPC ..... D21/301, 302, 322, 458, 570, 790, 797;  
D6/310-313, 496, 708.16; 273/177 R,  
273/181 R, 407; 116/173; 102/374  
CPC ..... A63B 67/06; F41J 1/10; F41J 5/22; A63F  
2250/0407

See application file for complete search history.

(56) **References Cited**

**U.S. PATENT DOCUMENTS**

D329,665 S \* 9/1992 Carroll ..... D21/306  
D346,081 S \* 4/1994 Turner ..... D6/681.1  
D346,844 S \* 5/1994 D'Andrade ..... D21/452  
5,441,267 A \* 8/1995 Alder ..... G09F 17/00  
116/173  
5,564,661 A \* 10/1996 Gershon ..... A47B 19/002  
248/167  
D405,834 S \* 2/1999 Weng ..... D21/302  
D415,805 S \* 10/1999 Wygonik ..... D16/244  
D438,914 S \* 3/2001 O'Rourke ..... D21/452  
D478,939 S \* 8/2003 McReynolds ..... D21/302  
D481,763 S \* 11/2003 Roy ..... D21/304

**OTHER PUBLICATIONS**

“Professional Backdrop”, posted Jun. 12, 2014 [online], [retrieved Mar. 11, 2019. Retrieved from internet, [https://www.amazon.com/Professional-Telescopic-Photography-Backdrop-Display/dp/B00JWL4T6Y/ref=cm\\_cr\\_arp\\_d\\_product\\_top?ie=UTF8](https://www.amazon.com/Professional-Telescopic-Photography-Backdrop-Display/dp/B00JWL4T6Y/ref=cm_cr_arp_d_product_top?ie=UTF8).\*

(Continued)

*Primary Examiner* — Sandra S Snapp

*Assistant Examiner* — Mehri F Bajoul

(74) *Attorney, Agent, or Firm* — Martensen IP

(57) **CLAIM**

The ornamental design for the game target stand with flying disks, as shown and described.

**DESCRIPTION**

The present application is related to commonly assigned U.S. Design patent application Ser. No. 29/635,364 filed 30 Jan. 2018.

FIG. 1 is a left front perspective view of a game target stand with flying disks.

FIG. 2 is a front view of the game target stand with flying disks.

FIG. 3 is a back view of the game target stand with flying disks.

FIG. 4 is a right side view of the game target stand with flying disks.

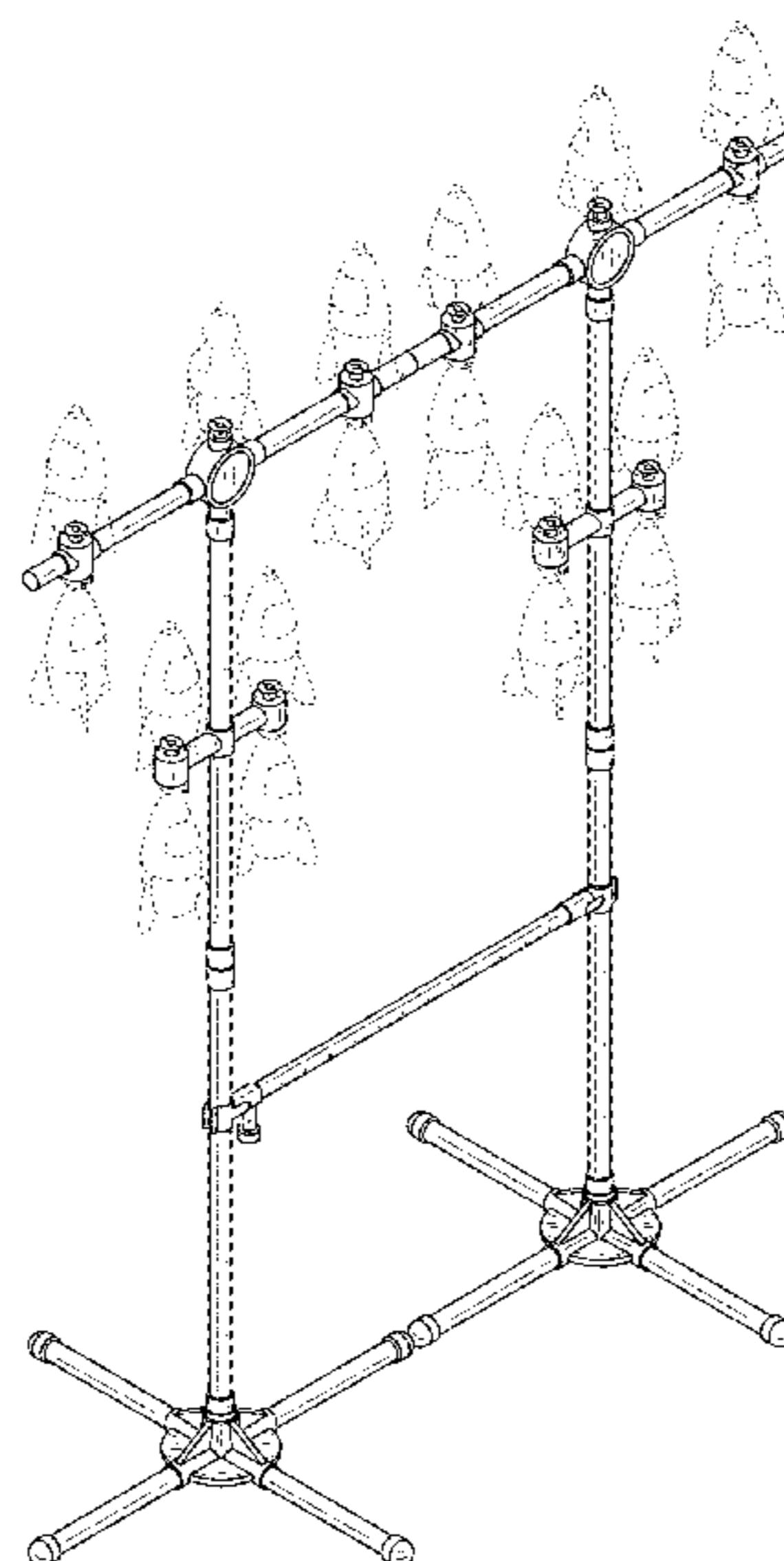
FIG. 5 is a left side view of the game target stand with flying disks.

FIG. 6 is a top view of the game target stand with flying disks; and,

FIG. 7 is a bottom view of the game target stand with flying disks.

The broken lines of the flying disks in FIG. 1 form no part of the claimed design.

**1 Claim, 7 Drawing Sheets**



(56)

**References Cited**

U.S. PATENT DOCUMENTS

D626,181 S \* 10/2010 Lima ..... D21/302  
D634,789 S \* 3/2011 Hoge, Jr. .... D21/302  
D670,752 S \* 11/2012 Barber ..... D16/242  
D671,598 S \* 11/2012 Makaruk ..... D21/302  
D672,169 S \* 12/2012 Linder ..... D6/708.16  
D738,431 S \* 9/2015 Fiske ..... D21/302  
D788,876 S \* 6/2017 Brooks ..... D22/113  
2005/0082761 A1\* 4/2005 Lynch ..... A63B 63/00  
273/343  
2018/0333627 A1\* 11/2018 Kinner ..... A63B 67/06

OTHER PUBLICATIONS

“Gigglen go knock off toss game”, posted Nov. 9, 2018 [online],  
[retrieved Mar. 11, 2019]. Retrieved from internet, [https://www.amazon.com/GIGGLE-GO-Knock-Toss-Game/product-reviews/B07DVLY49J/ref=cm\\_cr\\_arp\\_d\\_viewopt\\_srt?ie=UTF8&reviewerType=all\\_reviews&sortBy=recent&pageNumber=1](https://www.amazon.com/GIGGLE-GO-Knock-Toss-Game/product-reviews/B07DVLY49J/ref=cm_cr_arp_d_viewopt_srt?ie=UTF8&reviewerType=all_reviews&sortBy=recent&pageNumber=1).\*

\* cited by examiner

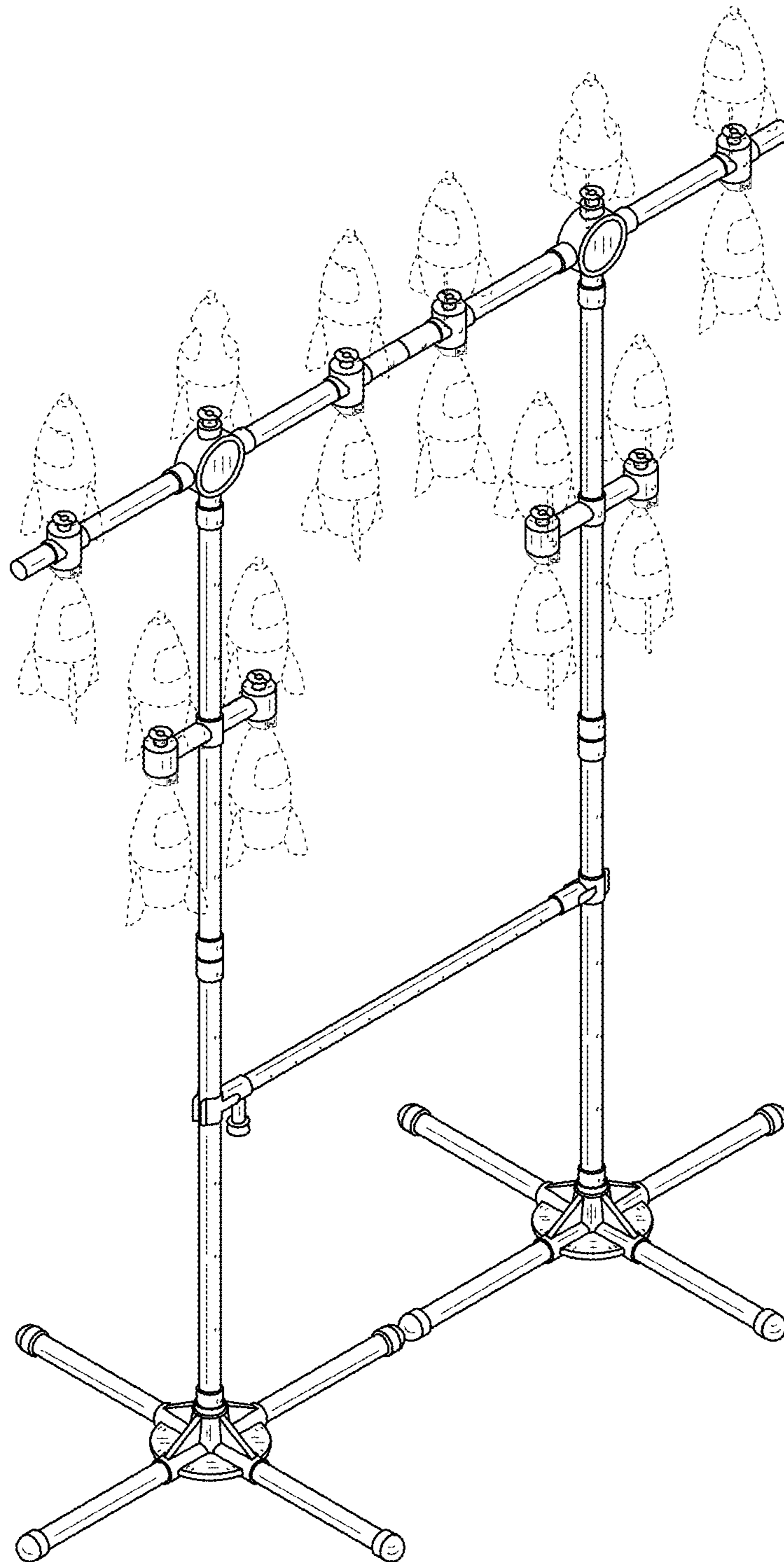


FIG. 1

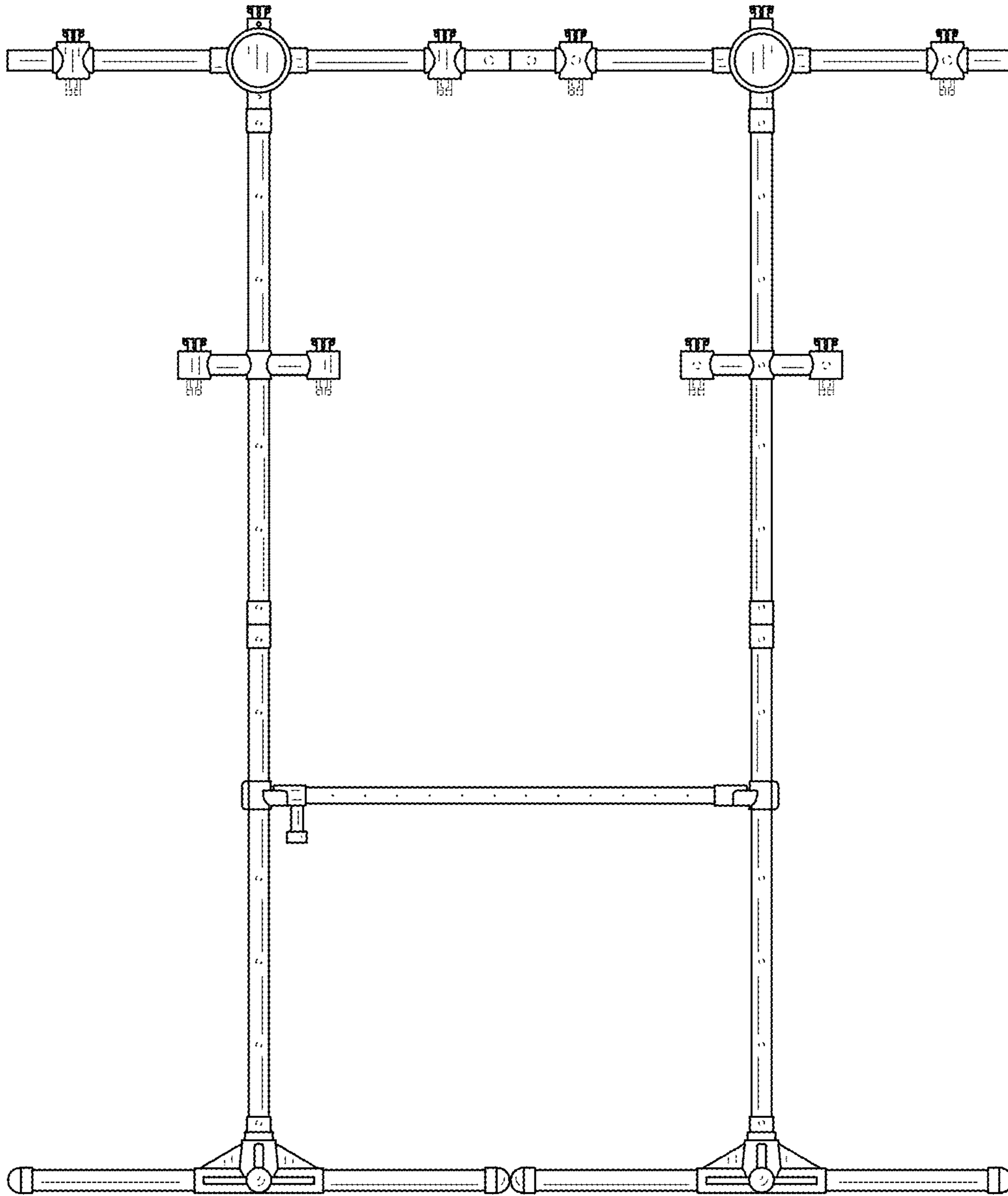


FIG.2

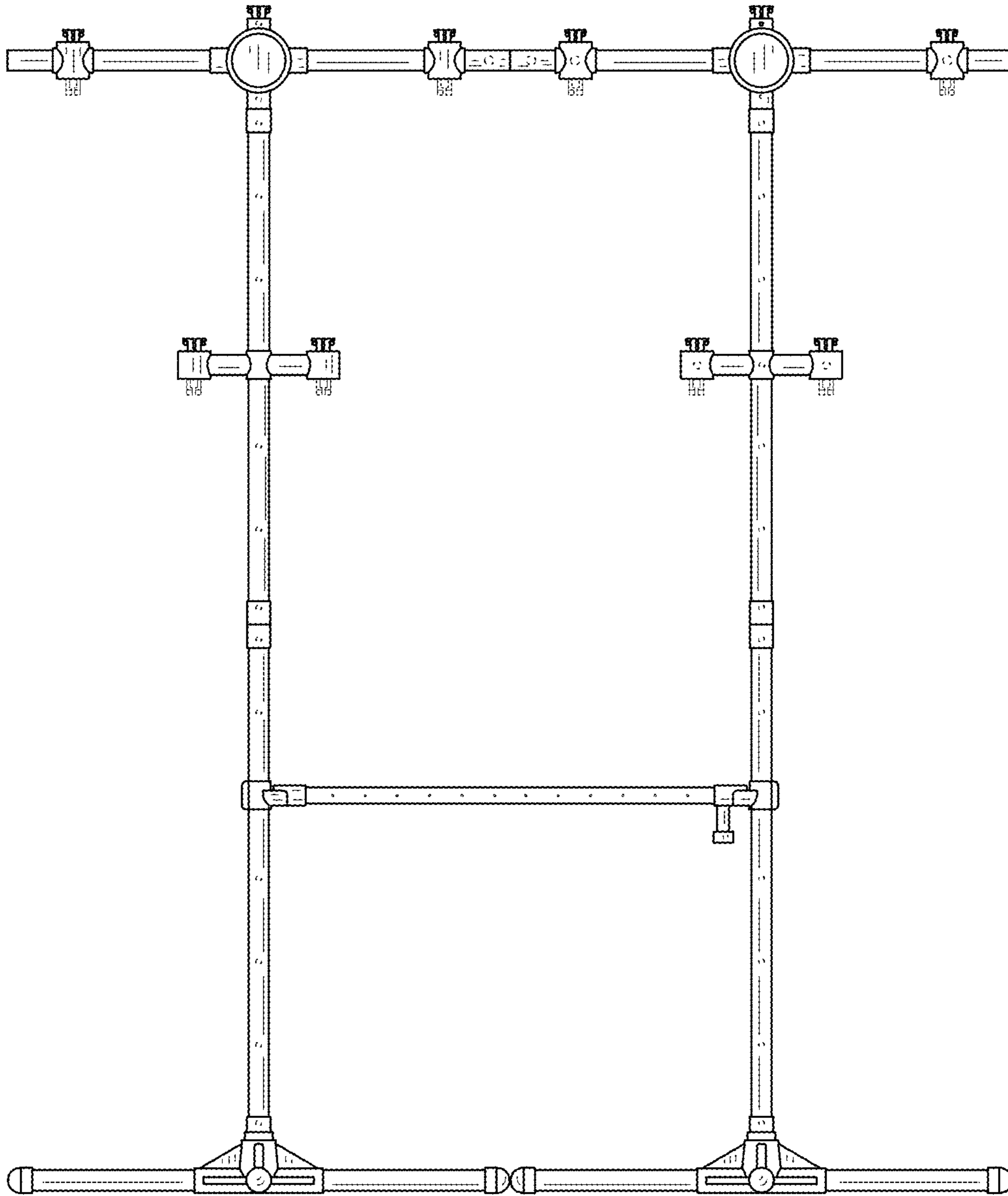


FIG.3

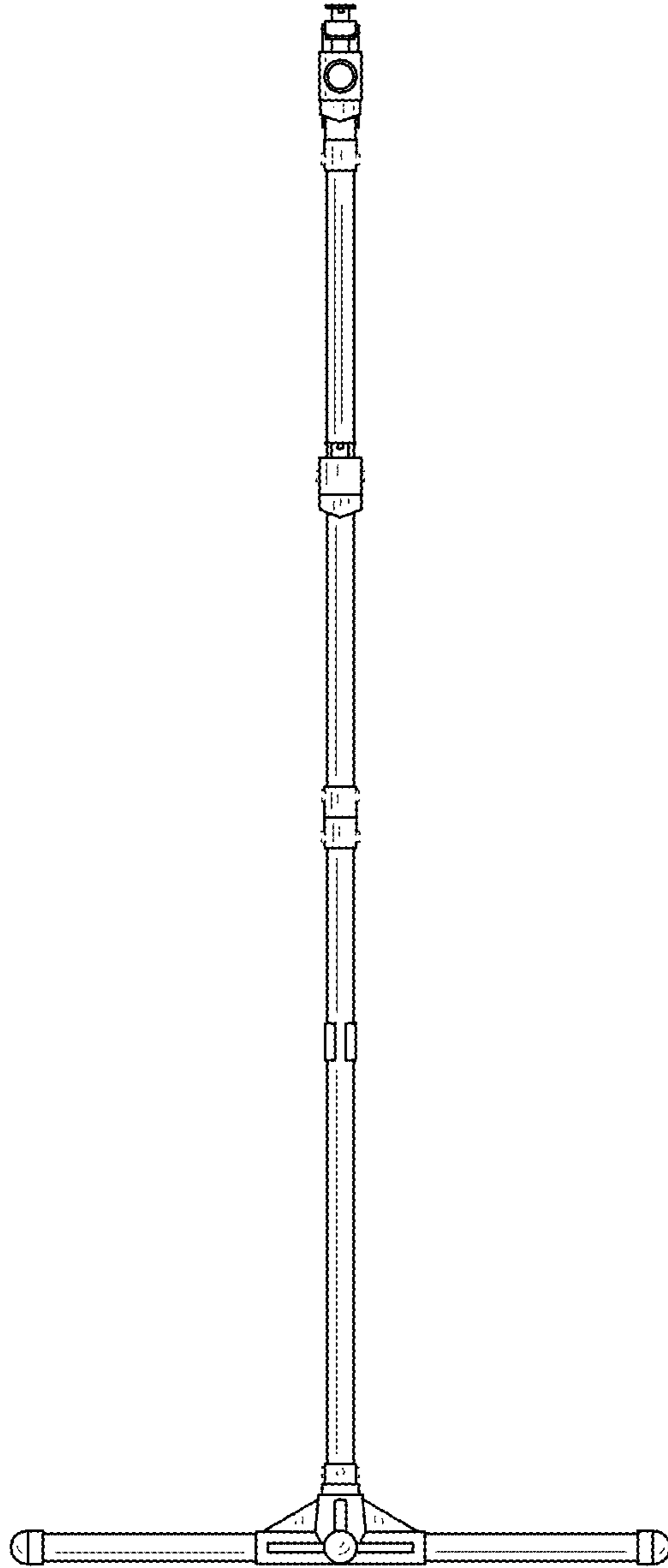


FIG.4

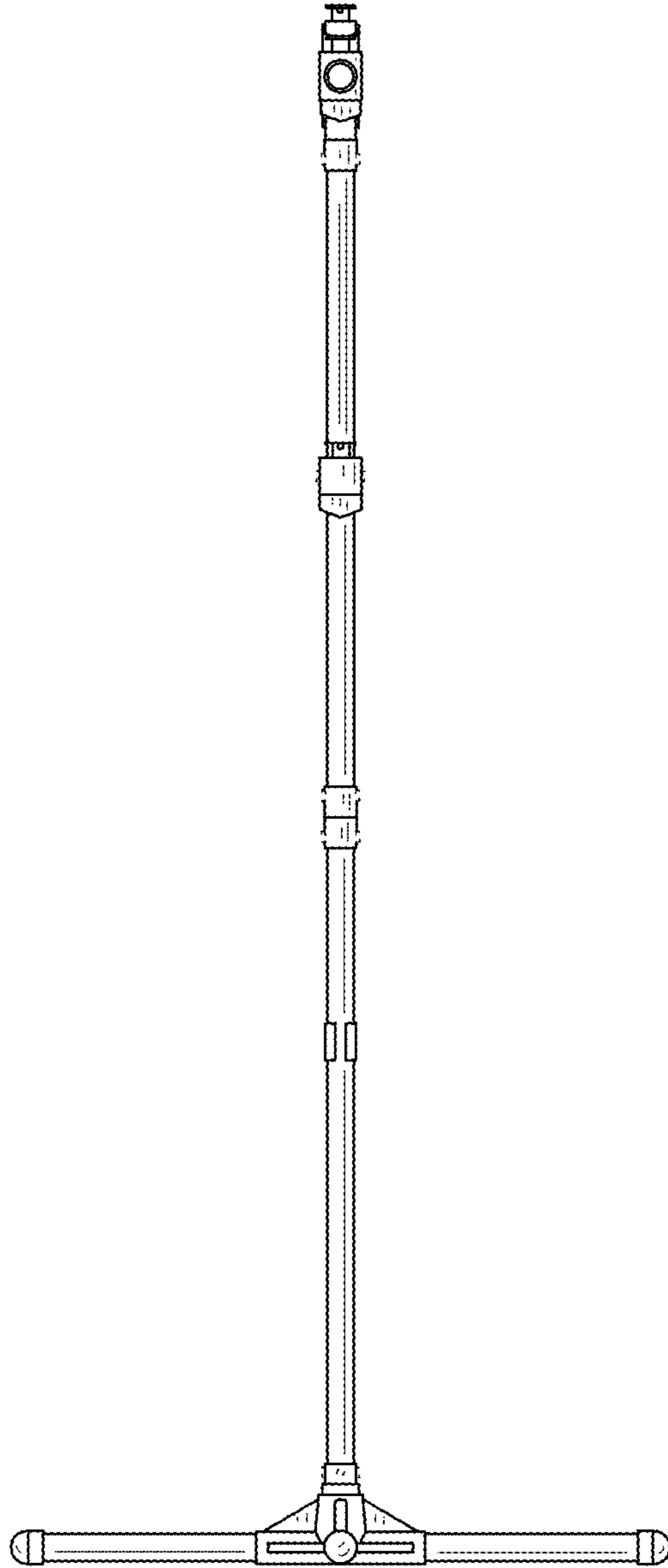


FIG. 5

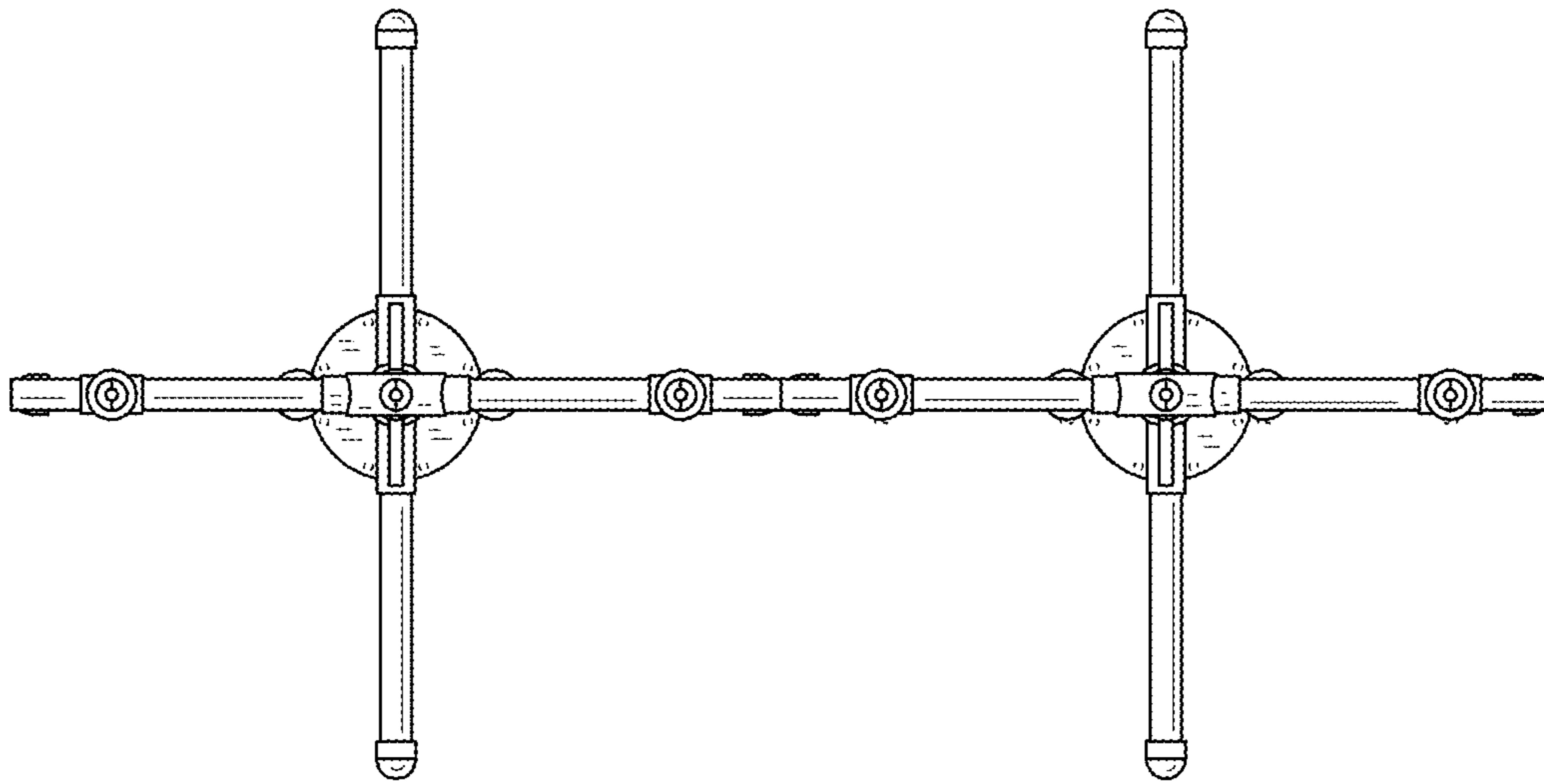


FIG.6



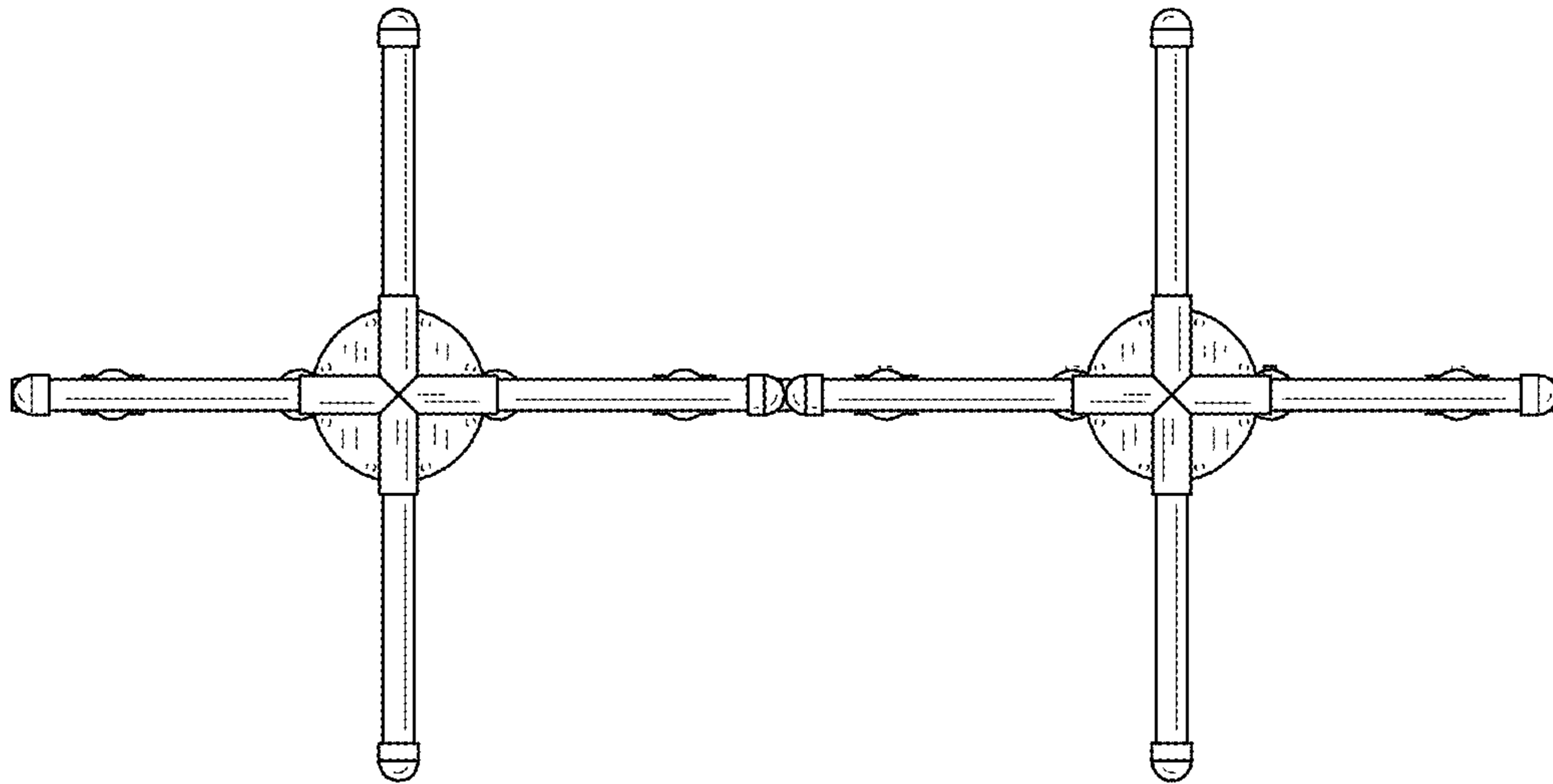


FIG.7