



US00D878467S

(12) **United States Design Patent** (10) **Patent No.:** **US D878,467 S**  
**Hornsby et al.** (45) **Date of Patent:** **\*\* Mar. 17, 2020**

(54) **VEHICLE TOPPER**

(56) **References Cited**

(71) Applicant: **Manufacturing Resources International, Inc.**, Alpharetta, GA (US)

U.S. PATENT DOCUMENTS

(72) Inventors: **Eric Hornsby**, Alpharetta, GA (US);  
**William Dunn**, Alpharetta, GA (US);  
**Doug Bennett**, Alpharetta, GA (US);  
**Mike Brown**, Woodstock, GA (US)

3,525,461 A 8/1970 Bronson  
3,978,599 A \* 9/1976 Berger ..... G09F 13/04  
40/542

4,052,806 A 10/1977 George  
4,114,789 A 9/1978 Blaylock et al.  
(Continued)

(73) Assignee: **Manufacturing Resources International, Inc.**, Alpharetta, GA (US)

FOREIGN PATENT DOCUMENTS

DE 202007017477 U1 6/2008  
EP 0476288 A1 3/1992  
KR 10-0917344 B1 9/2009

(\*\*) Term: **15 Years**

OTHER PUBLICATIONS

(21) Appl. No.: **29/641,641**

“DSE 2018: LG-MRI Highlights BoldVu Vehicle Top Display . . .” YouTube.com. Published Apr. 1, 2018. Accessed Jul. 18, 2019. Available online at URL: <https://www.youtube.com/watch?v=IYSMhCnMyhg> (Year: 2018).\*

(22) Filed: **Mar. 23, 2018**

(Continued)

(51) **LOC (12) Cl.** ..... **20-02**

(52) **U.S. Cl.**  
USPC ..... **D20/10**

(58) **Field of Classification Search**  
USPC ..... D10/109.1, 109.2, 113.4; D14/485–495;  
D20/10–13, 15, 17, 19, 20, 21, 41, 42,  
D20/99; D26/28–32; D12/401; 40/368,  
40/446, 452, 453, 488, 538, 541, 542,  
40/545–548, 563, 564, 568, 570–574,  
40/582, 584, 594, 596, 600, 605, 615,  
40/617, 618, 624; 362/217, 551, 559,  
362/562, 565, 806, 811, 812; 224/331  
CPC ... B62J 6/00; B62J 17/202; G09F 7/16; G09F  
2007/122; G09F 13/00; G09F 13/04;  
G09F 13/06; G09F 13/18; G09F 13/22;  
G09F 13/24; G09F 13/26; G09F  
2013/1895; G09F 15/00

See application file for complete search history.

*Primary Examiner* — Cathron C Brooks  
*Assistant Examiner* — Christian P. McLean  
(74) *Attorney, Agent, or Firm* — Standley Law Group  
LLP; Jeffrey S. Standley; Adam J. Smith

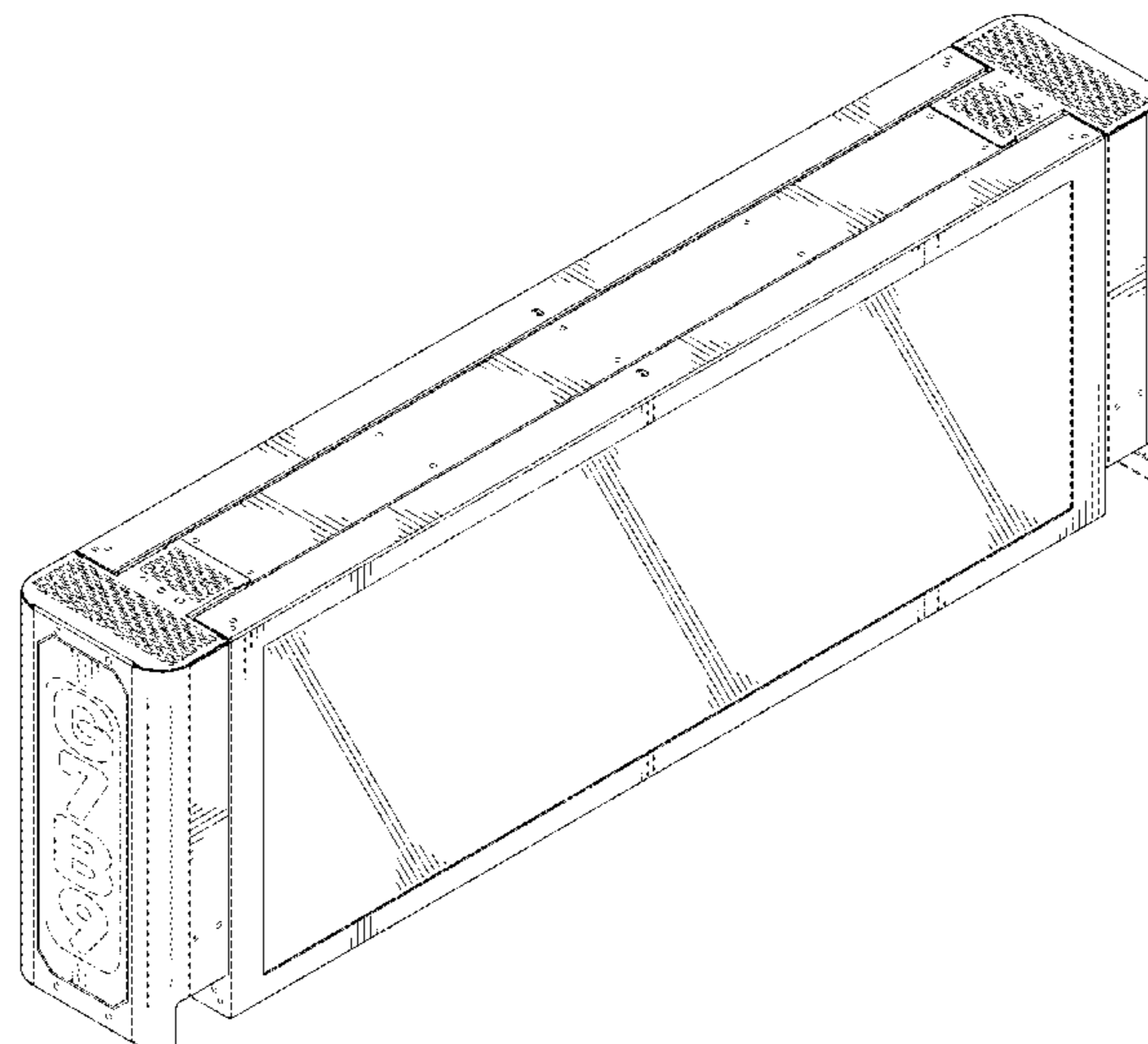
(57) **CLAIM**

The ornamental design for a vehicle topper, as shown and described.

**DESCRIPTION**

FIG. 1 is a front perspective view of the vehicle topper;  
FIG. 2 is a front elevation view of the FIG. 1 device;  
FIG. 3 is a rear elevation view of the FIG. 1 device;  
FIG. 4 is a right side elevation view of the FIG. 1 device;  
FIG. 5 is a left side elevation view of the FIG. 1 device;  
FIG. 6 is a top plan view of the FIG. 1 device;  
FIG. 7 is a bottom elevation view of the FIG. 1 device; and,  
FIG. 8 is a bottom perspective view of the FIG. 1 device.  
The broken lines illustrate portions of the vehicle topper that form no part of the claimed design.

**1 Claim, 5 Drawing Sheets**



(56)

References Cited

U.S. PATENT DOCUMENTS

4,449,656 A 5/1984 Wouden  
 4,500,020 A 2/1985 Rasor  
 4,671,004 A 6/1987 Berg  
 D294,137 S 2/1988 Robson  
 D296,087 S \* 6/1988 Luck ..... D10/113.4  
 4,768,691 A 9/1988 Stapleton  
 D306,990 S 4/1990 Bott  
 4,972,983 A 11/1990 Bott  
 4,982,886 A 1/1991 Cucheran  
 D314,983 S \* 2/1991 Cangiani ..... D10/113.4  
 4,993,615 A 2/1991 Arvidsson  
 5,038,988 A 8/1991 Thulin  
 D320,971 S 10/1991 Sparham et al.  
 5,104,020 A 4/1992 Arvidsson et al.  
 D326,282 S \* 5/1992 Spoljaric ..... D20/10  
 5,132,666 A 7/1992 Fahs  
 5,170,920 A 12/1992 Corrente et al.  
 5,171,083 A 12/1992 Rich  
 5,207,365 A 5/1993 Bott  
 5,385,285 A 1/1995 Cucheran et al.  
 5,474,218 A 12/1995 Arsenault, Jr. et al.  
 5,560,525 A 10/1996 Grohmann et al.  
 D398,409 S \* 9/1998 Jessa ..... D20/10  
 5,826,766 A 10/1998 Aftanas  
 5,871,190 A 2/1999 Henriksson  
 5,979,723 A 11/1999 Tress et al.  
 6,050,467 A 4/2000 Drouillard et al.  
 D430,901 S \* 9/2000 Palmer ..... D20/10  
 6,116,486 A 9/2000 Lindell  
 6,415,970 B1 7/2002 Kmita et al.  
 6,701,143 B1 3/2004 Dukach et al.  
 6,812,851 B1 11/2004 Dukach et al.  
 6,850,209 B2 2/2005 Mankins et al.  
 7,134,764 B1 \* 11/2006 Bieberdorf ..... B64F 1/18  
 362/183  
 7,434,713 B2 10/2008 Linden  
 D635,614 S 4/2011 Yan  
 D639,340 S \* 6/2011 Martin ..... D20/10  
 D657,421 S 4/2012 Yan  
 D657,422 S 4/2012 Yan  
 D669,938 S 10/2012 Lard et al.  
 D704,265 S 5/2014 Yan  
 D740,472 S \* 10/2015 Linton ..... D26/31  
 D763,357 S \* 8/2016 Tsuru ..... D20/42  
 D765,660 S \* 9/2016 Kim ..... D14/375  
 D815,690 S \* 4/2018 Squillante ..... D20/10  
 D848,528 S \* 5/2019 Lee ..... D20/10  
 D848,529 S \* 5/2019 Lee ..... D20/10  
 10,326,962 B2 \* 6/2019 Hamilton ..... G09F 27/007  
 10,486,618 B2 \* 11/2019 Hornsby ..... G09F 21/04  
 2002/0009978 A1 1/2002 Dukach et al.

2002/0065046 A1 5/2002 Mankins et al.  
 2002/0084891 A1 7/2002 Mankins et al.  
 2002/0112026 A1 8/2002 Fridman et al.  
 2002/0164962 A1 11/2002 Mankins et al.  
 2004/0004827 A1 \* 1/2004 Guest ..... G02B 6/0091  
 362/612  
 2004/0036622 A1 2/2004 Dukach et al.  
 2004/0170013 A1 \* 9/2004 Smythe ..... G09F 9/33  
 362/184  
 2004/0182898 A1 9/2004 Harris  
 2005/0116511 A1 6/2005 Leroy et al.  
 2006/0091170 A1 5/2006 Almhil  
 2007/0108243 A1 5/2007 Bingham  
 2007/0158965 A1 7/2007 Van Smirren  
 2008/0236007 A1 \* 10/2008 Au ..... B60Q 1/2611  
 40/592  
 2010/0282799 A1 11/2010 Hubbard  
 2011/0072697 A1 \* 3/2011 Miller ..... G09F 9/33  
 40/564  
 2011/0132946 A1 6/2011 Sautter et al.  
 2011/0315726 A1 12/2011 Huhn et al.  
 2012/0312848 A1 12/2012 Delusky et al.  
 2013/0173358 A1 7/2013 Pinkus  
 2015/0129625 A1 5/2015 Gorey et al.  
 2015/0175082 A1 6/2015 Aftanas et al.  
 2015/0232038 A1 8/2015 Robertson  
 2015/0274084 A1 10/2015 Sarges et al.  
 2017/0029043 A1 2/2017 Clark et al.  
 2017/0050576 A1 2/2017 Ferman  
 2017/0257978 A1 9/2017 Diaz  
 2018/0170270 A1 6/2018 Bergman  
 2018/0272959 A1 \* 9/2018 Hornsby ..... B60R 13/00  
 2019/0295386 A1 \* 9/2019 Roberts ..... G08B 7/066

OTHER PUBLICATIONS

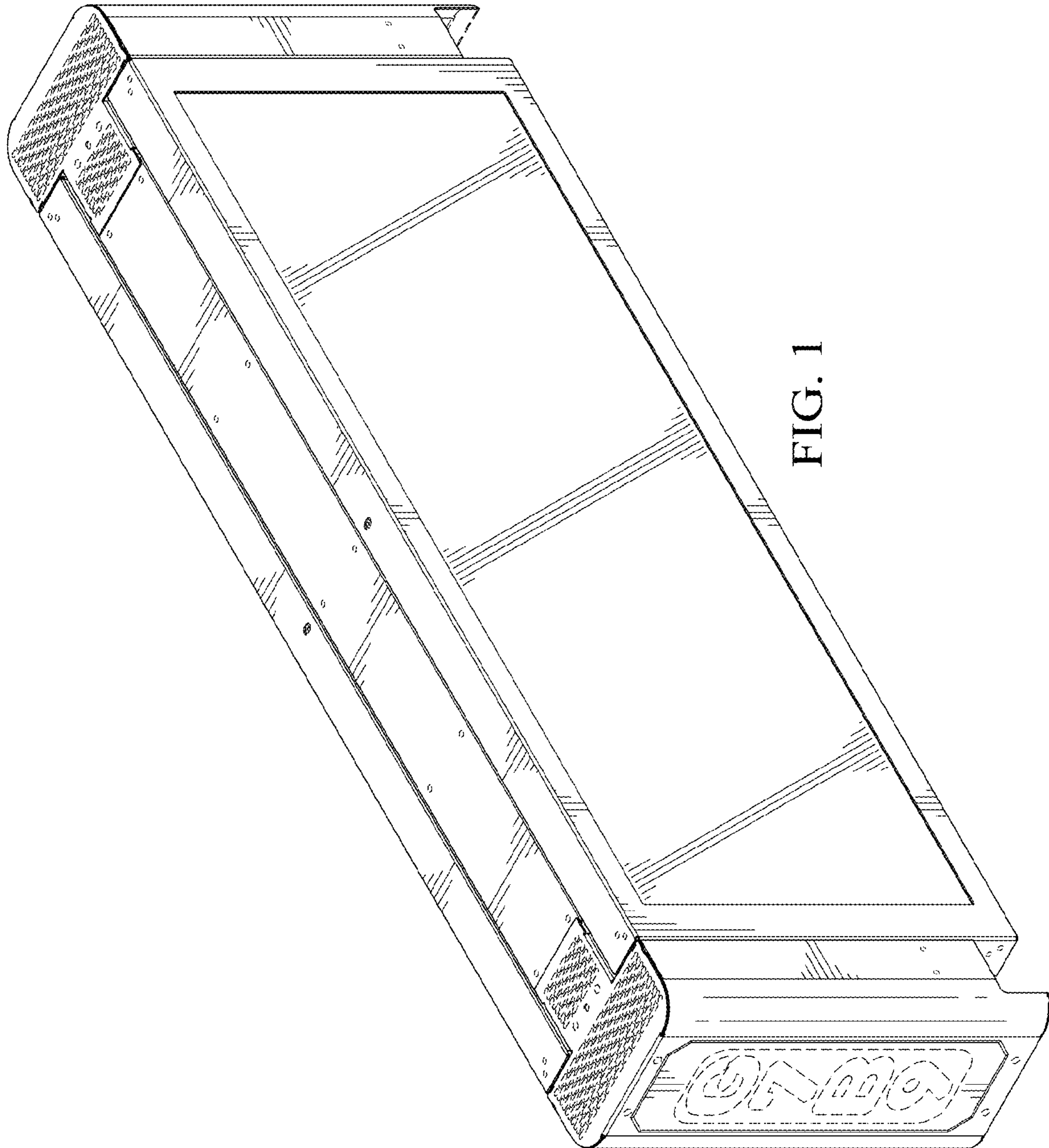
“DSE 2017: LG-MRI Presents TaxiVu, a Digital LCD Display for Mobile Advertising” YouTube.com. 0:29. Published Mar. 30, 2017. Accessed Jul. 18, 2019. Available online at URL: <https://www.youtube.com/watch?v=CmNw4OBT6ZE> (Year: 2017).\*

“Inside the Campaign: United Airlines ‘Real Time Taxi’ . . . ” aaaa.org. Jul. 7, 2017. Accessed Jul. 18, 2019. Available online at URL: <https://www.aaa.org/inside-campaign-united-airlines-real-time-taxi-mcgarrybowen-media-partners-kinetic-mec-verifone/> (Year: 2017).\*

“BoldVu Vehicle Top Displays.” lg-mri.com. Available Mar. 27, 2019. Accessed Jul. 18, 2019 via Internet Archive Wayback Machine at URL: <https://web.archive.org/web/20190327001140/https://lg-mri.com/digital-taxi-top-display/> (Year: 2019).\*

ADNATION, Miller photos, May 9, 2017, 28 pages.  
 ADNATION, Turn Key Solutions, May 23, 2017, 4 pages.

\* cited by examiner



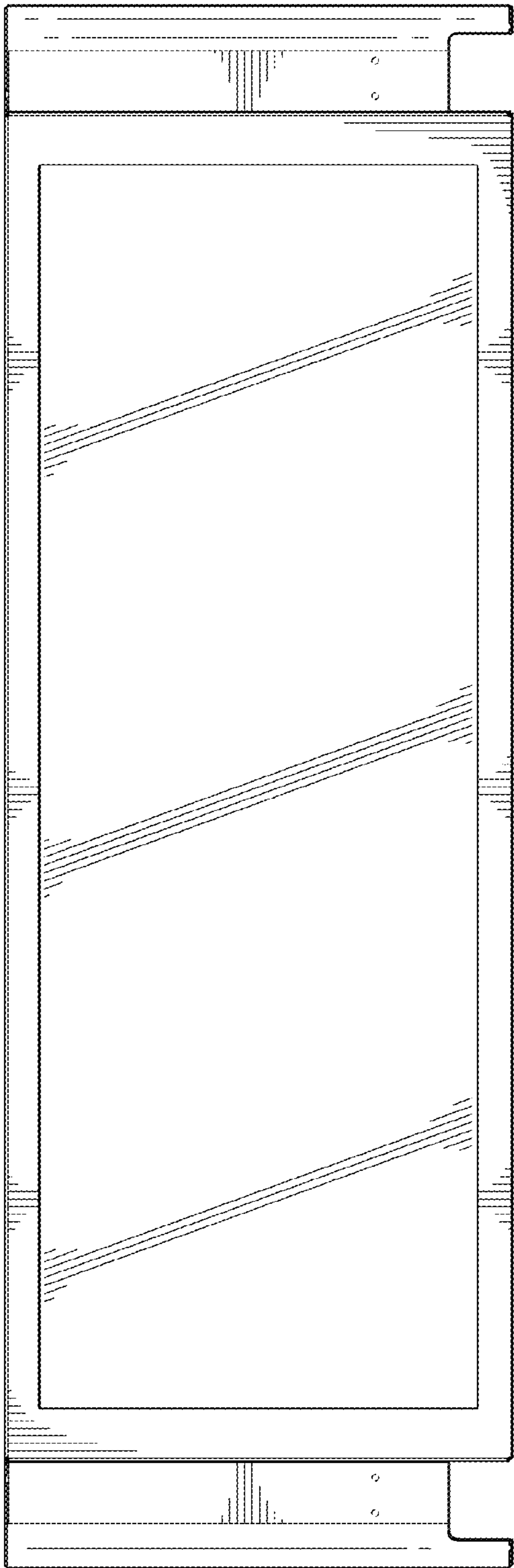


FIG. 2

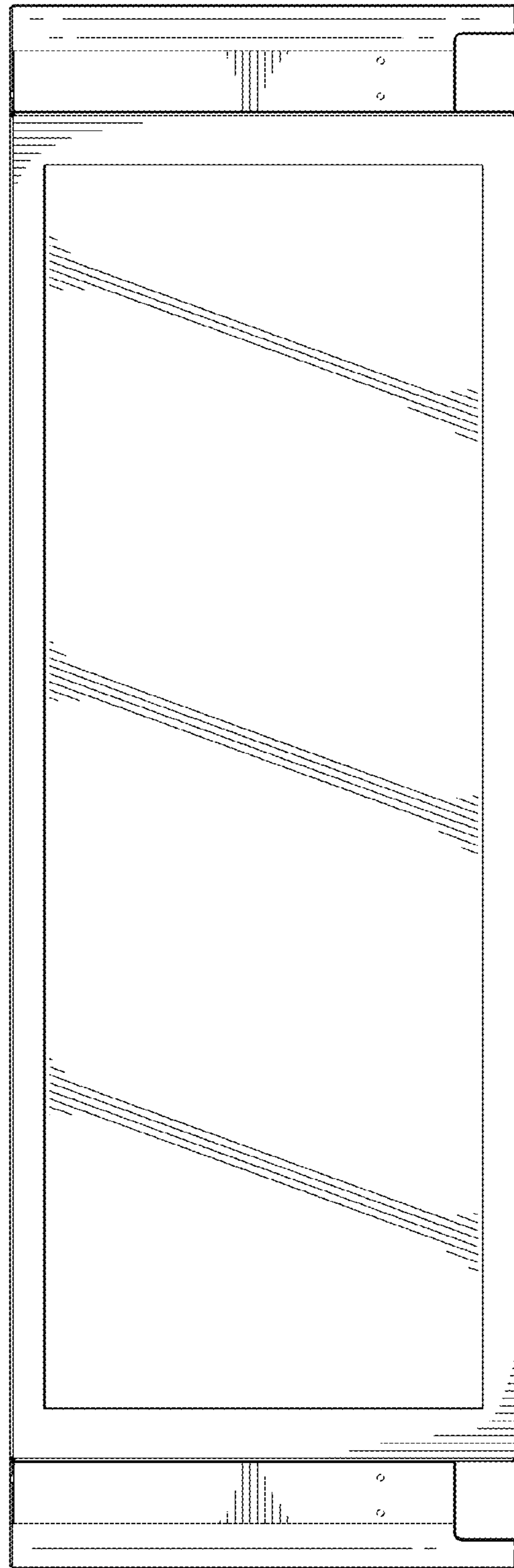


FIG. 3

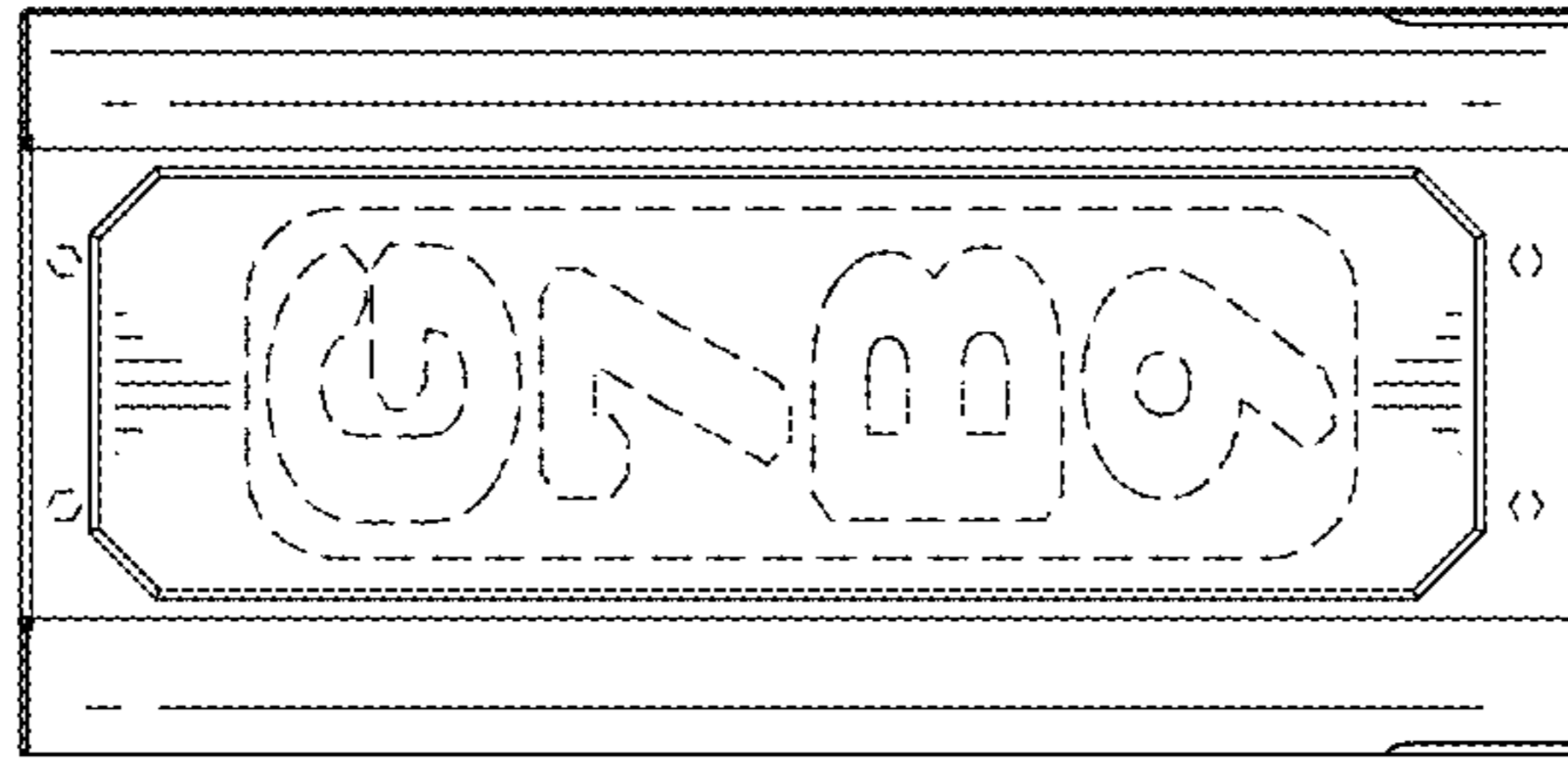


FIG. 5

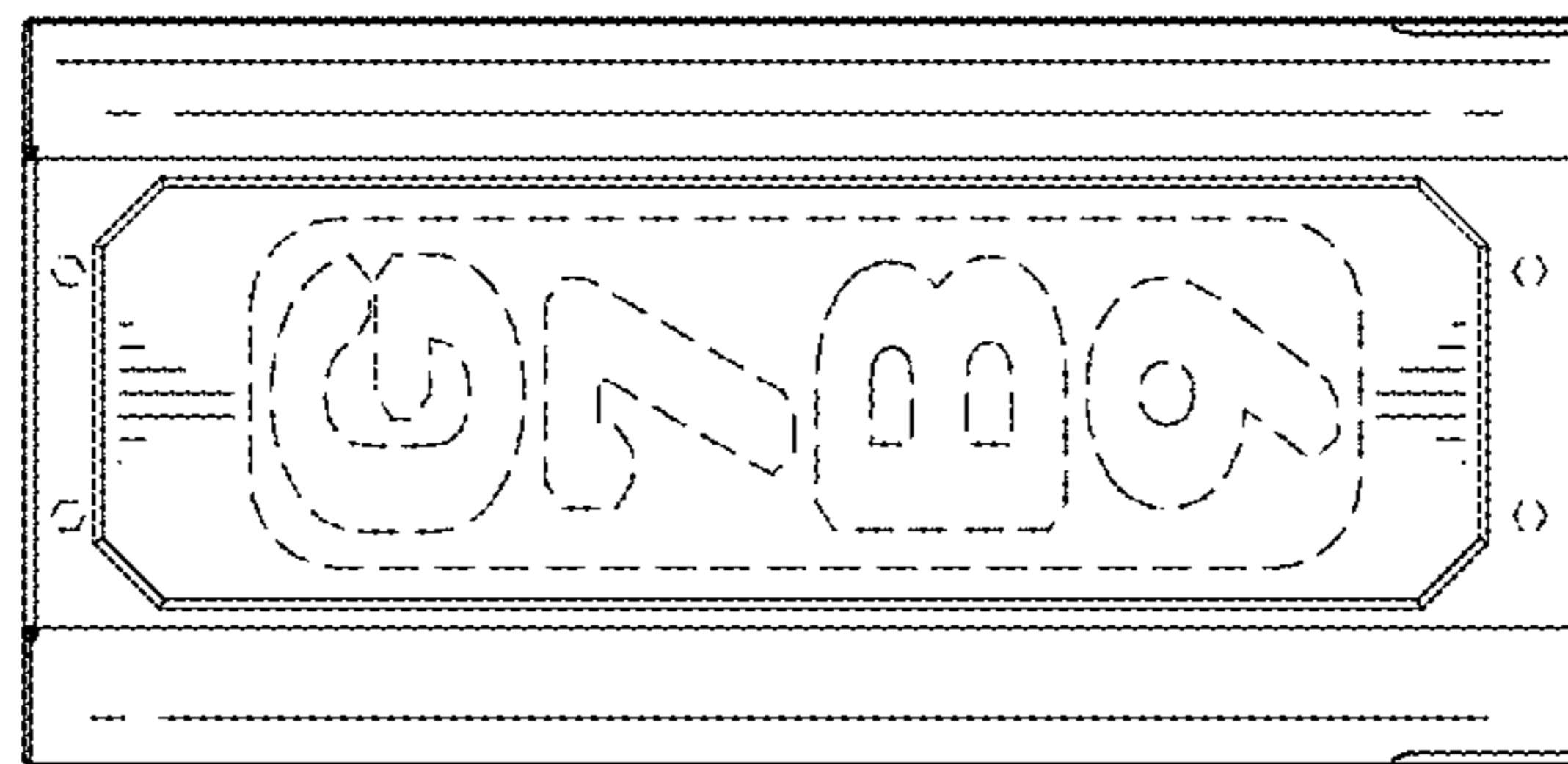


FIG. 4

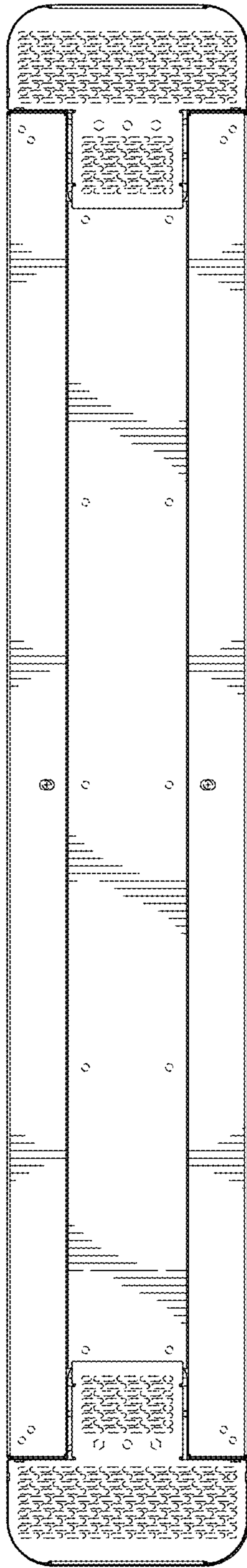


FIG. 6

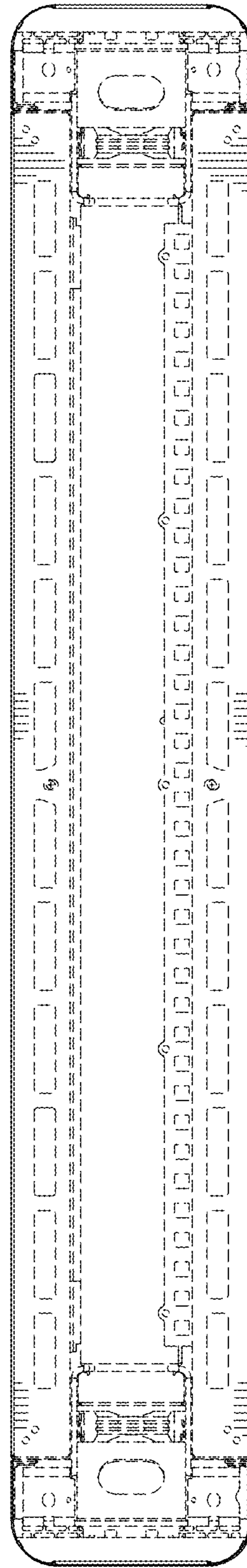


FIG. 7

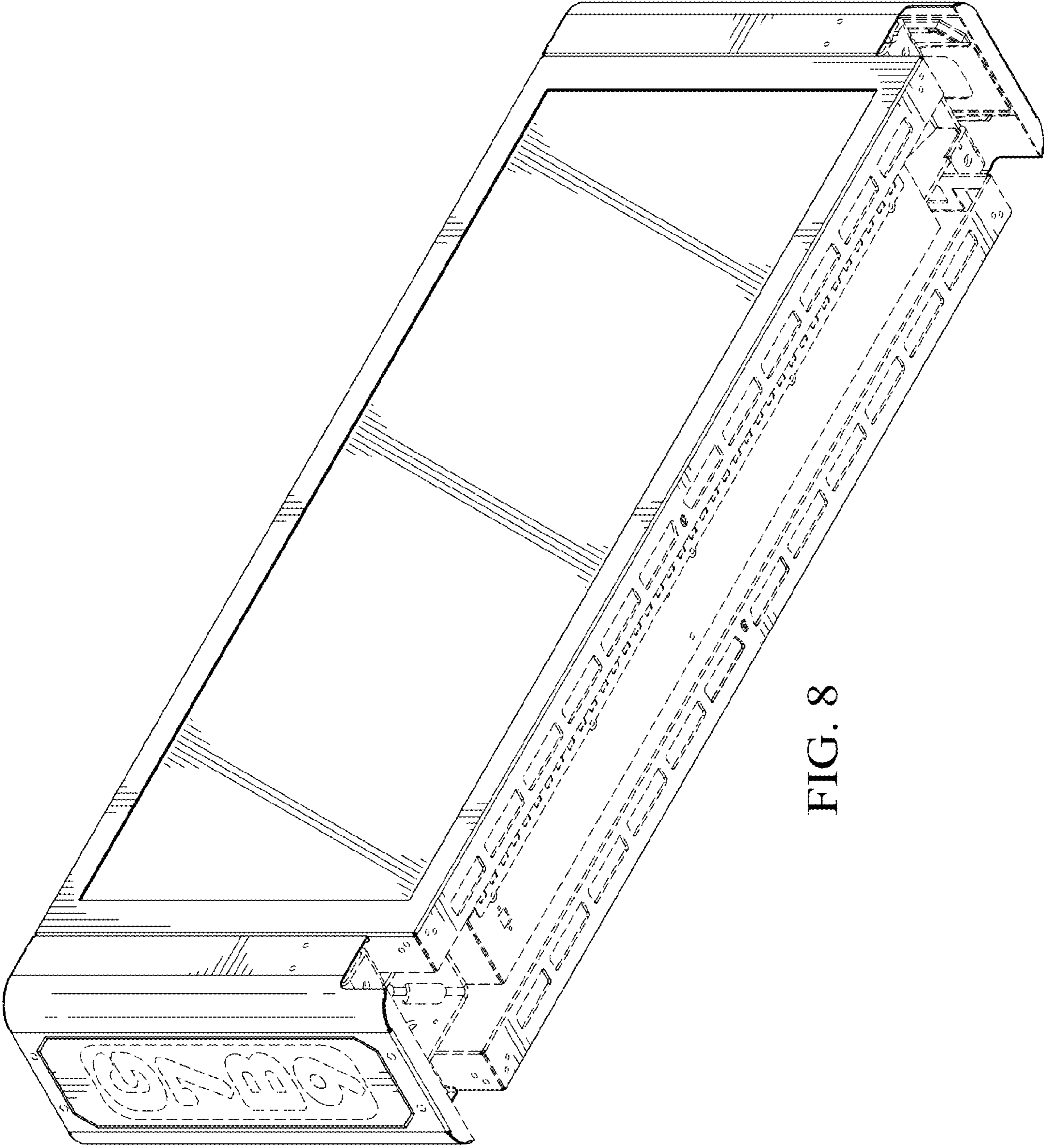


FIG. 8