



US00D878465S

(12) **United States Design Patent**  
**Bäckström**

(10) **Patent No.:** **US D878,465 S**

(45) **Date of Patent:** **\*\* Mar. 17, 2020**

(54) **VENDING MACHINE**

(71) Applicant: **WM. WRIGLEY JR. COMPANY,**  
Chicago, IL (US)

(72) Inventor: **Mikael Bäckström,** Chicago, IL (US)

(73) Assignee: **WM. WRIGLEY JR. COMPANY,**  
Chicago, IL (US)

(\*\*) Term: **15 Years**

(21) Appl. No.: **29/609,262**

(22) Filed: **Jun. 29, 2017**

(51) **LOC (12) Cl.** ..... **20-01**

(52) **U.S. Cl.**  
USPC ..... **D20/1**

(58) **Field of Classification Search**  
USPC ..... D10/42; D15/79, 81, 89; D18/4.4;  
D20/1-9; D99/28; D7/306; D14/307,  
D14/314, 349; D6/515-523, 542-545,  
D6/640, 668, 668.2, 700, 703.1  
CPC .... A47F 1/08; A47F 1/10; G07B 1/00; G07B  
11/00; G07B 15/00; G07F 5/00; G07F  
5/18; G07F 7/0609; G07F 7/069; G07F  
9/026; G07F 9/10; G07F 9/16; G07F  
11/00; G07F 11/005; G07F 11/007; G07F  
11/02; G07F 11/04; G07F 11/10; G07F  
11/14; G07F 11/32; G07F 11/46; G07F  
11/54; G07F 11/62

See application file for complete search history.

(56) **References Cited**

**U.S. PATENT DOCUMENTS**

|              |        |          |       |       |
|--------------|--------|----------|-------|-------|
| D141,032 S * | 5/1945 | Dunn     | ..... | D20/8 |
| D153,541 S * | 4/1949 | Otto     | ..... | D20/1 |
| D154,325 S * | 6/1949 | Roberts  | ..... | D20/4 |
| D295,293 S * | 4/1988 | Kardiak  | ..... | D20/1 |
| D306,092 S * | 2/1990 | Rockola  | ..... | D20/5 |
| D314,795 S * | 2/1991 | McGarrah | ..... | D20/5 |

|              |         |            |       |         |
|--------------|---------|------------|-------|---------|
| D358,427 S * | 5/1995  | Gobindram  | ..... | D20/1   |
| D362,689 S * | 9/1995  | Goldman    | ..... | D20/1   |
| D368,619 S * | 4/1996  | Garber     | ..... | D20/1   |
| D369,386 S * | 4/1996  | Arndt      | ..... | D20/10  |
| D388,228 S * | 12/1997 | Dallman    | ..... | D99/28  |
| D425,875 S * | 5/2000  | Wilson     | ..... | D14/130 |
| D458,788 S * | 6/2002  | Real       | ..... | D6/545  |
| D481,238 S * | 10/2003 | Kao        | ..... | D6/545  |
| D551,415 S * | 9/2007  | Memari     | ..... | D20/19  |
| D620,290 S * | 7/2010  | Herrera    | ..... | D6/518  |
| D732,872 S * | 6/2015  | Kalik      | ..... | D7/307  |
| D744,039 S * | 11/2015 | Hart       | ..... | D20/1   |
| D747,415 S * | 1/2016  | O'Sullivan | ..... | D20/8   |
| D781,930 S * | 3/2017  | Ward       | ..... | D15/79  |

(Continued)

*Primary Examiner* — Cathron C Brooks

*Assistant Examiner* — Christian P. McLean

(57) **CLAIM**

I claim the ornamental design for a vending machine, as substantially shown and described.

**DESCRIPTION**

FIG. 1 is a perspective view of a vending machine of the present invention.

FIG. 2 is a front view of the vending machine of the present invention.

FIG. 3 is a rear view of the vending machine of the present invention.

FIG. 4 is a right side view of the vending machine of the present invention.

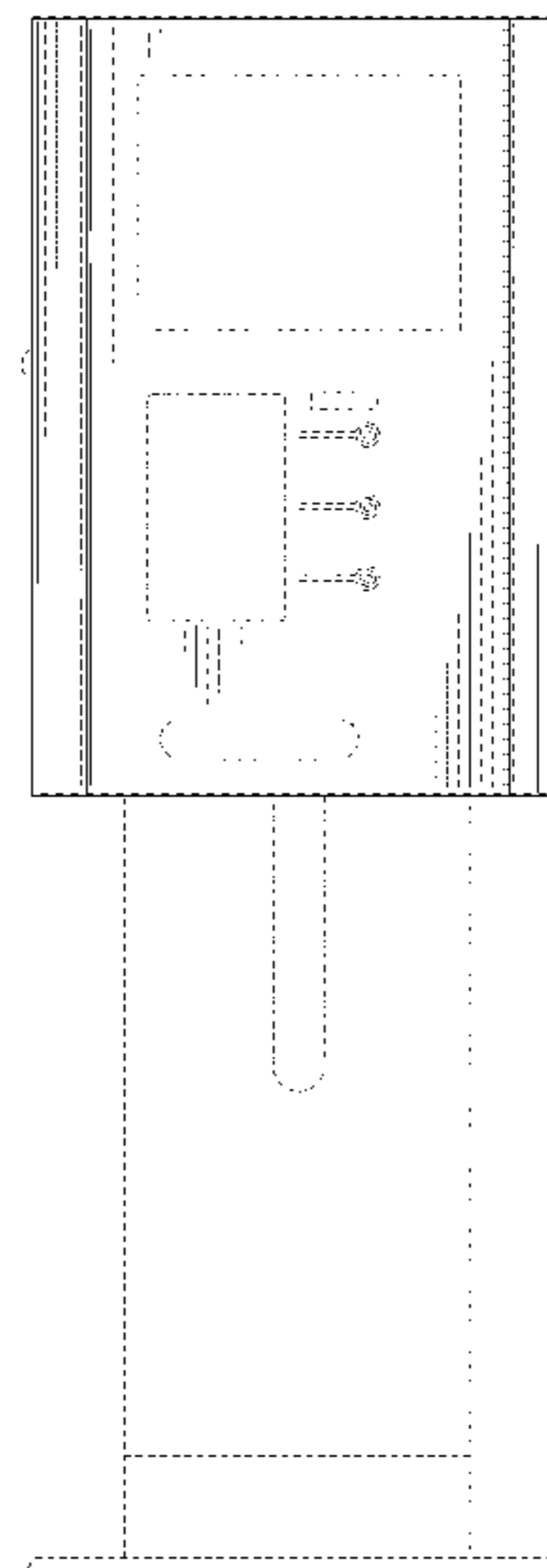
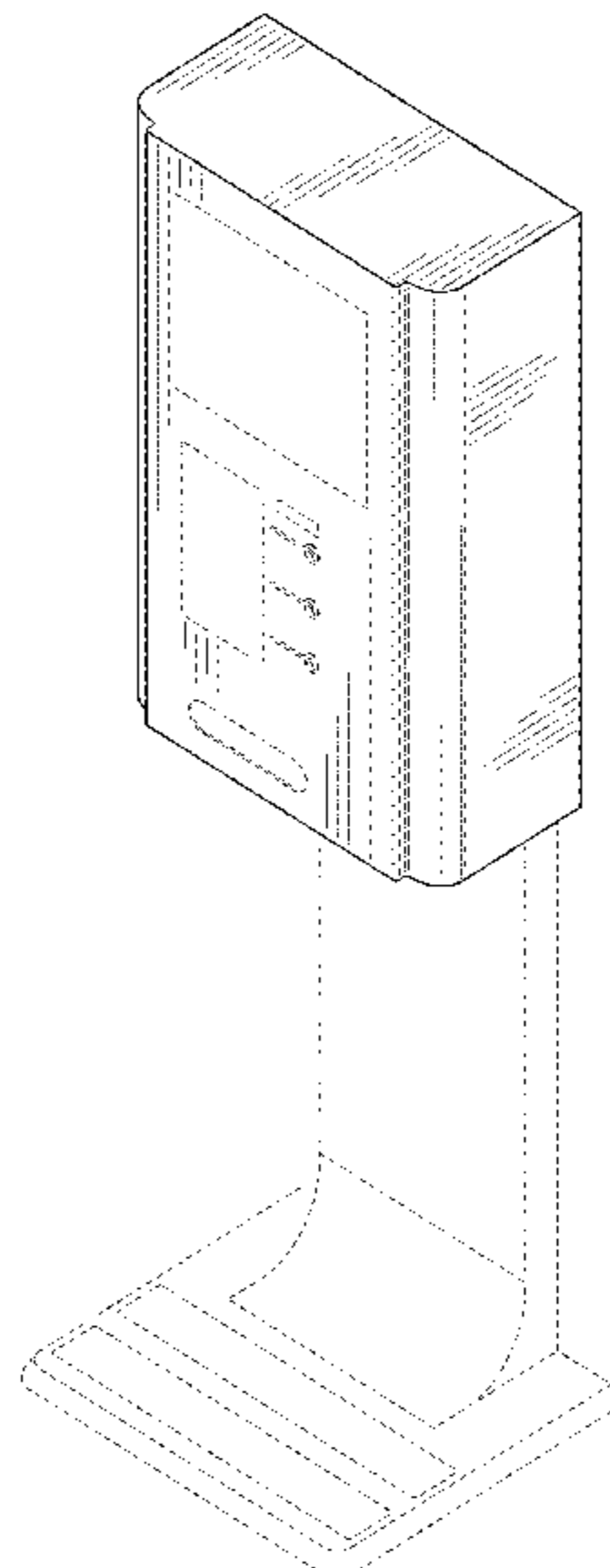
FIG. 5 is a left side view of the vending machine of the present invention.

FIG. 6 is a top plan view of the vending machine of the present invention; and,

FIG. 7 is a bottom plan view of the vending machine of the present invention.

The broken lines illustrate the environment of the design and portions of the vending machine that form no part of the claimed design.

**1 Claim, 4 Drawing Sheets**



(56)

**References Cited**

U.S. PATENT DOCUMENTS

|          |   |   |         |             |       |        |
|----------|---|---|---------|-------------|-------|--------|
| D788,225 | S | * | 5/2017  | Cortini     | ..... | D20/4  |
| D816,770 | S | * | 5/2018  | Kambhampaty | ..... | D20/1  |
| D816,771 | S | * | 5/2018  | Kobe        | ..... | D20/1  |
| D830,463 | S | * | 10/2018 | Chen        | ..... | D20/1  |
| D834,091 | S | * | 11/2018 | Storz       | ..... | D20/1  |
| D841,382 | S | * | 2/2019  | Broen       | ..... | D7/306 |
| D861,406 | S | * | 10/2019 | Tsutsui     | ..... | D7/306 |
| D862,148 | S | * | 10/2019 | Broen       | ..... | D7/313 |
| D864,299 | S | * | 10/2019 | Santander   | ..... | D20/1  |

\* cited by examiner

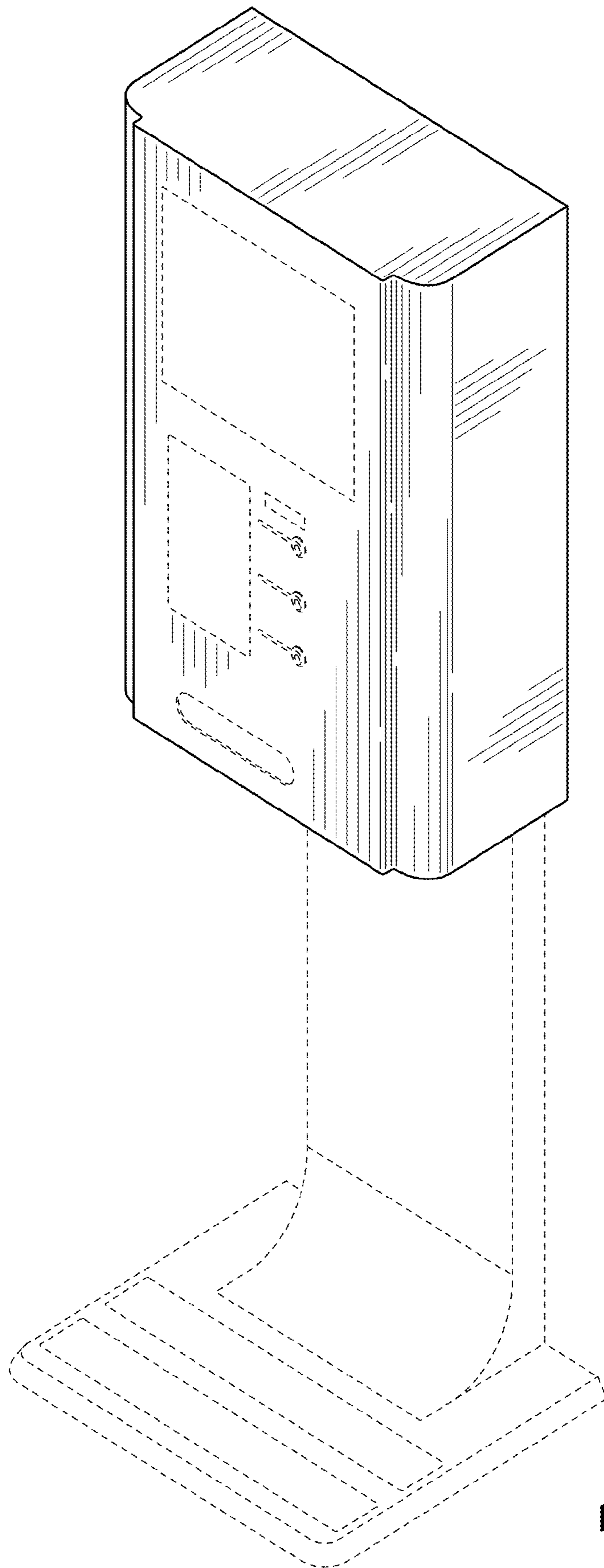


FIG. 1

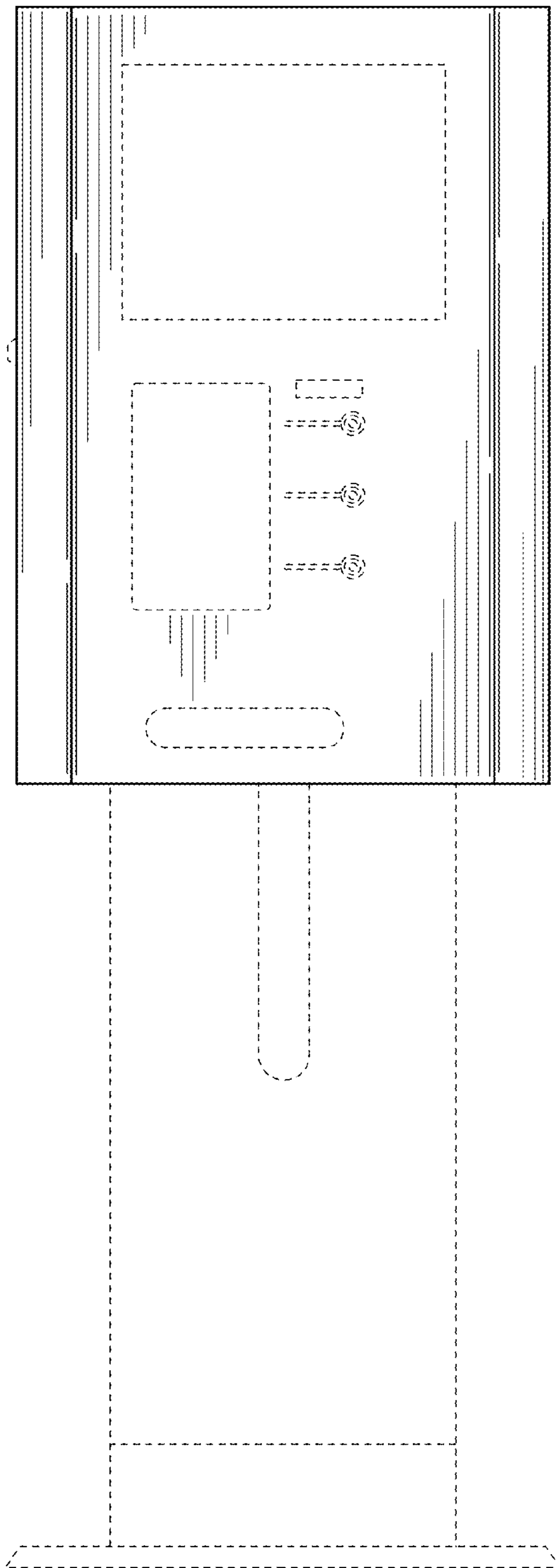


FIG. 2

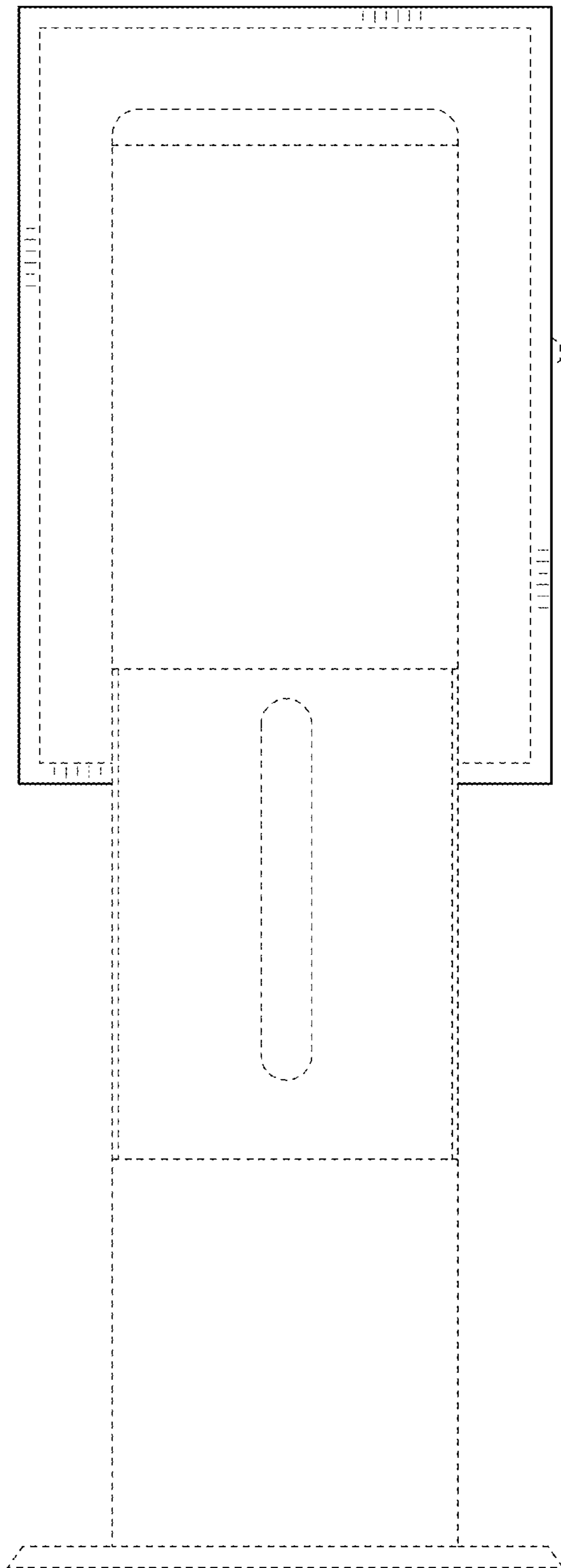


FIG. 3

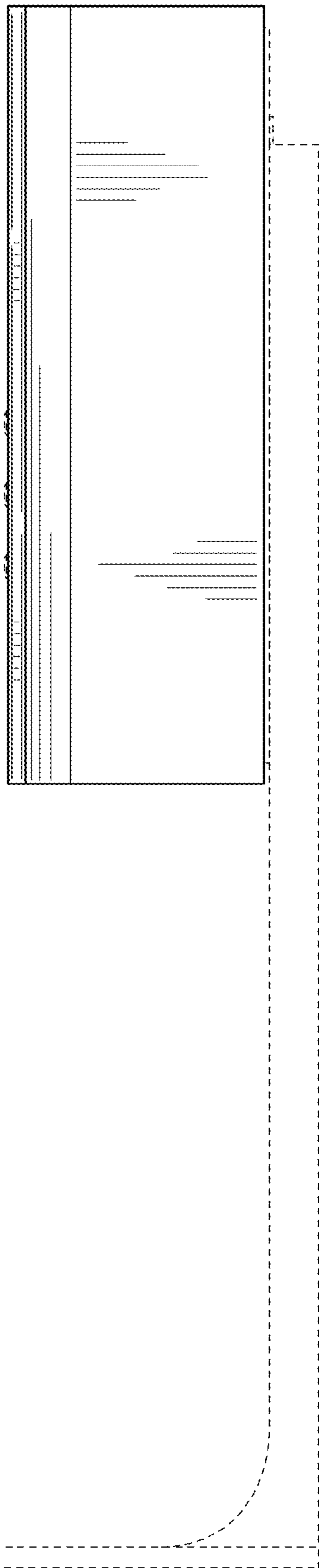


FIG. 4

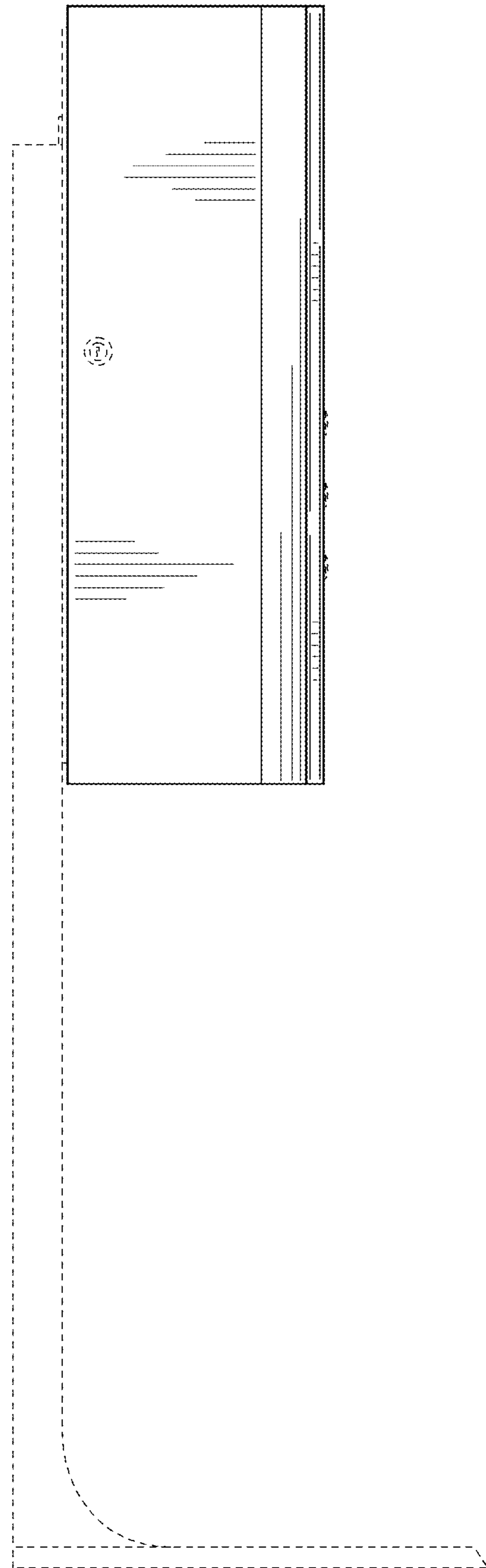


FIG. 5

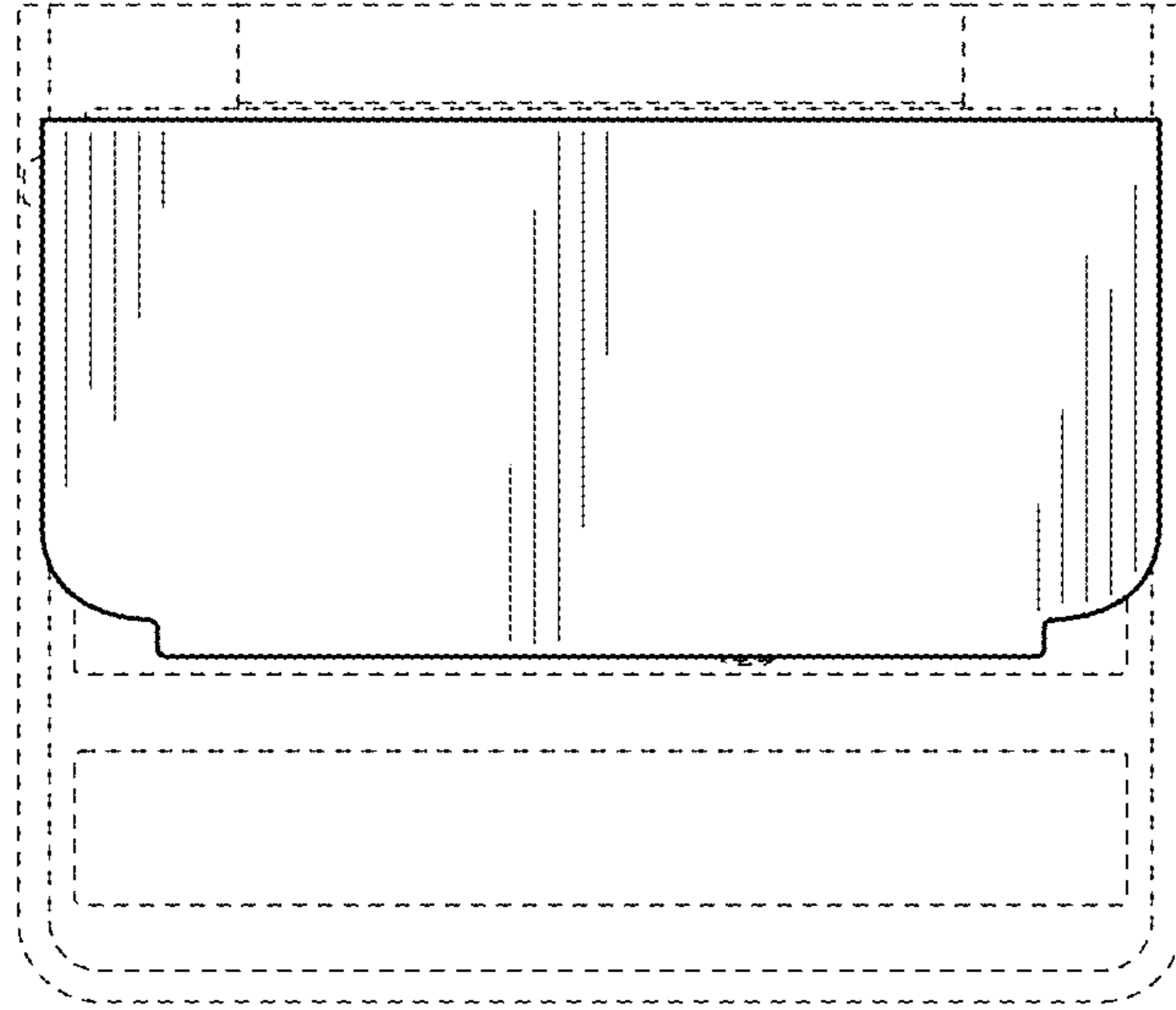


FIG. 6

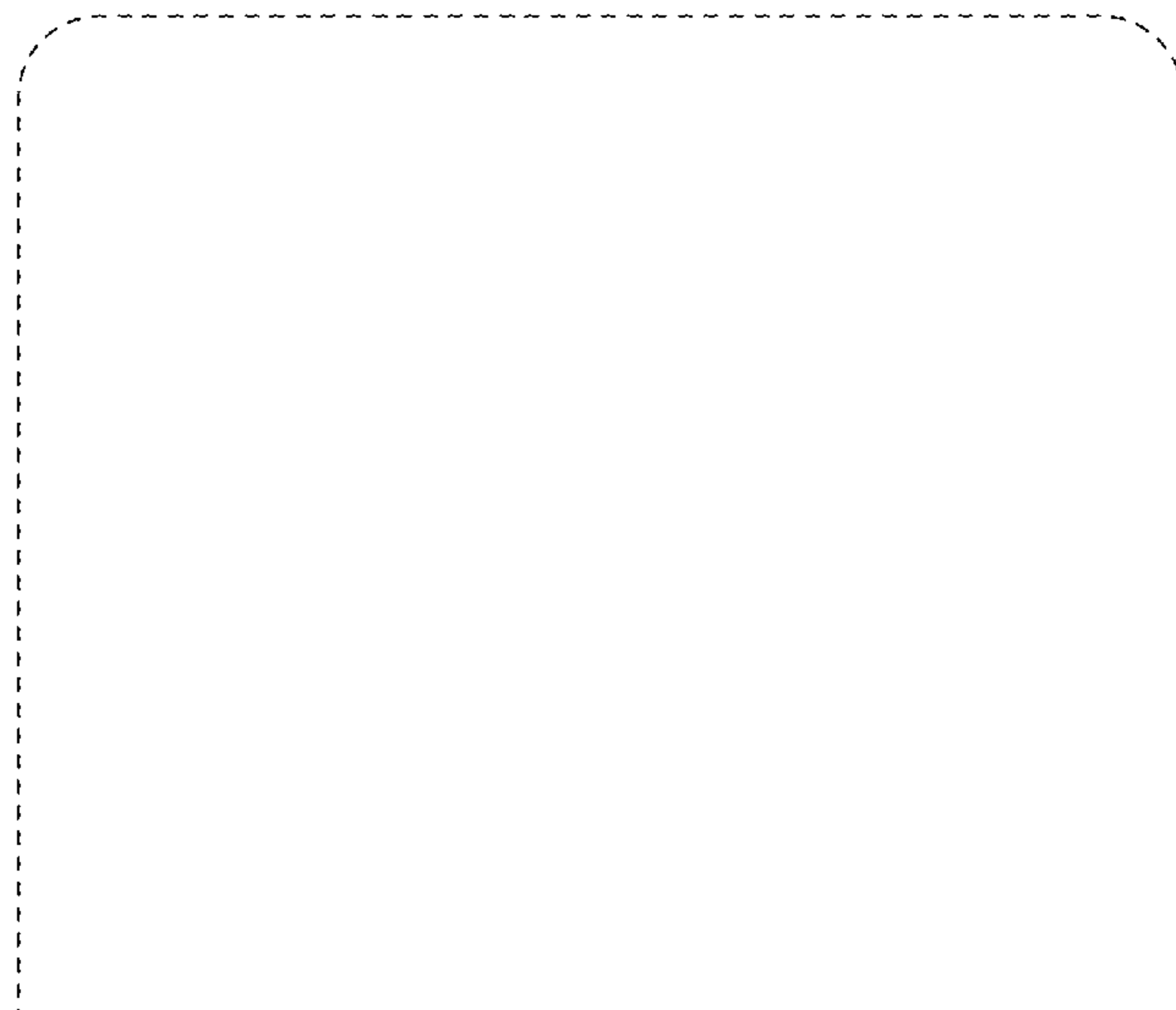


FIG. 7