



US00D878464S

(12) **United States Design Patent** (10) **Patent No.:** **US D878,464 S**  
**Kermaal et al.** (45) **Date of Patent:** **\*\* \*Mar. 17, 2020**

- (54) **WRITING INSTRUMENT** 1,926,289 A \* 9/1933 Kovacs ..... B43L 19/00  
15/434
- (71) Applicant: **Scribe Technical Consulting LLC,** D119,263 S 3/1940 Harris  
Lebanon, NJ (US) D126,555 S 4/1941 Gurtov  
2,239,793 A \* 4/1941 Miller ..... B43L 19/00  
451/517
- (72) Inventors: **Phillipe Kermaal,** Rome (IT); 2,338,068 A 12/1943 Harris  
**Leighton Davies-Smith,** Lebanon, NJ 3,093,112 A \* 6/1963 Shurcliff ..... B43K 21/00  
(US) 401/31
- (73) Assignee: **SCRIBE TECHNICAL** D238,359 S \* 1/1976 Zepell ..... D19/170  
**CONSULTING LLC,** Lebanon, NJ D252,690 S \* 8/1979 Wong ..... D10/2  
(US) D268,501 S 4/1983 Kruckel et al.  
D313,042 S 12/1990 Lecce  
D342,088 S 12/1993 Sonntag et al.  
D344,760 S 3/1994 Monzyk  
5,449,242 A 9/1995 Salamone
- (\*) Notice: This patent is subject to a terminal disclaimer. (Continued)

- (\*\*) Term: **15 Years**
- (21) Appl. No.: **29/634,165**
- (22) Filed: **Jan. 18, 2018**

**Related U.S. Application Data**

- (63) Continuation-in-part of application No. 29/555,461, filed on Feb. 22, 2016, now Pat. No. Des. 810,823.
- (51) **LOC (12) Cl.** ..... **19-06**
- (52) **U.S. Cl.**  
USPC ..... **D19/177; D19/928**
- (58) **Field of Classification Search**  
USPC ..... D19/115-204; D14/411  
CPC . B43K 5/005; B43K 7/12; B43K 8/04; B43K  
8/06; B43K 19/00; B43K 19/02; B43K  
19/14; B43K 21/006; B43K 21/06  
See application file for complete search history.

**References Cited**

**U.S. PATENT DOCUMENTS**

- 865,764 A \* 9/1907 Creahan ..... B43L 19/0068  
15/434
- 1,757,884 A 5/1930 Tuggle

*Primary Examiner* — Elizabeth A. Albert  
(74) *Attorney, Agent, or Firm* — Lempia Summerfield  
Katz LLC

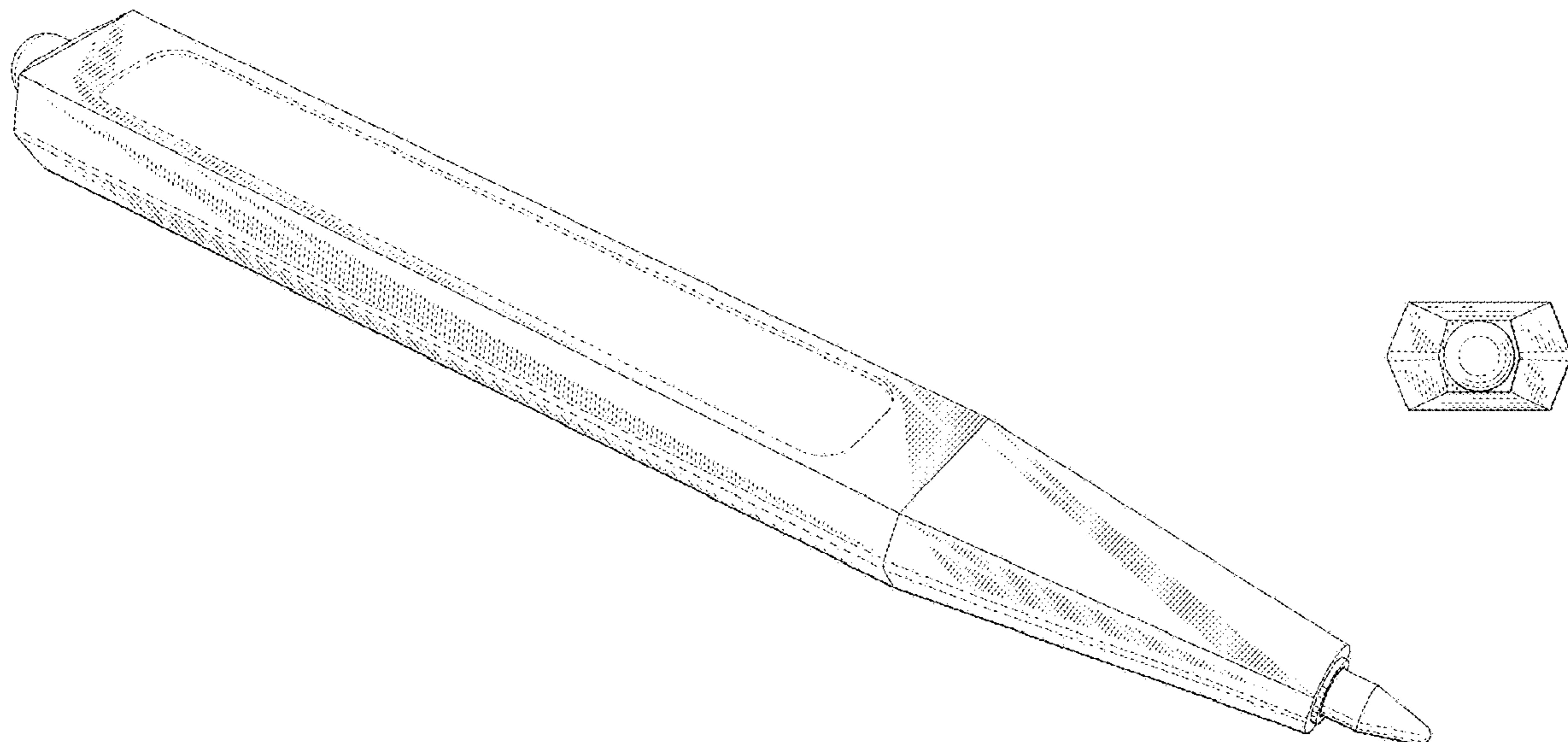
(57) **CLAIM**

The ornamental design for a “writing instrument”, as shown and described.

**DESCRIPTION**

FIG. 1 is a front, bottom, and right side perspective view of our new design for a writing instrument.  
FIG. 2 is a front view of the writing instrument of FIG. 1.  
FIG. 3 is a rear view of the writing instrument of FIG. 1.  
FIG. 4 is a right side view of the writing instrument of FIG. 1, the left side view being identical thereto.  
FIG. 5 is a top view of the writing instrument of FIG. 1.  
FIG. 6 is a bottom view of the writing instrument of FIG. 1; and,  
FIG. 7 is a rear view of the writing instrument of FIG. 1 with the writing tip covered.  
The portions of the writing instrument shown in broken lines are for illustrative purposes only in FIGS. 1, 2, and 6 and form no part of the claimed design.

**1 Claim, 3 Drawing Sheets**



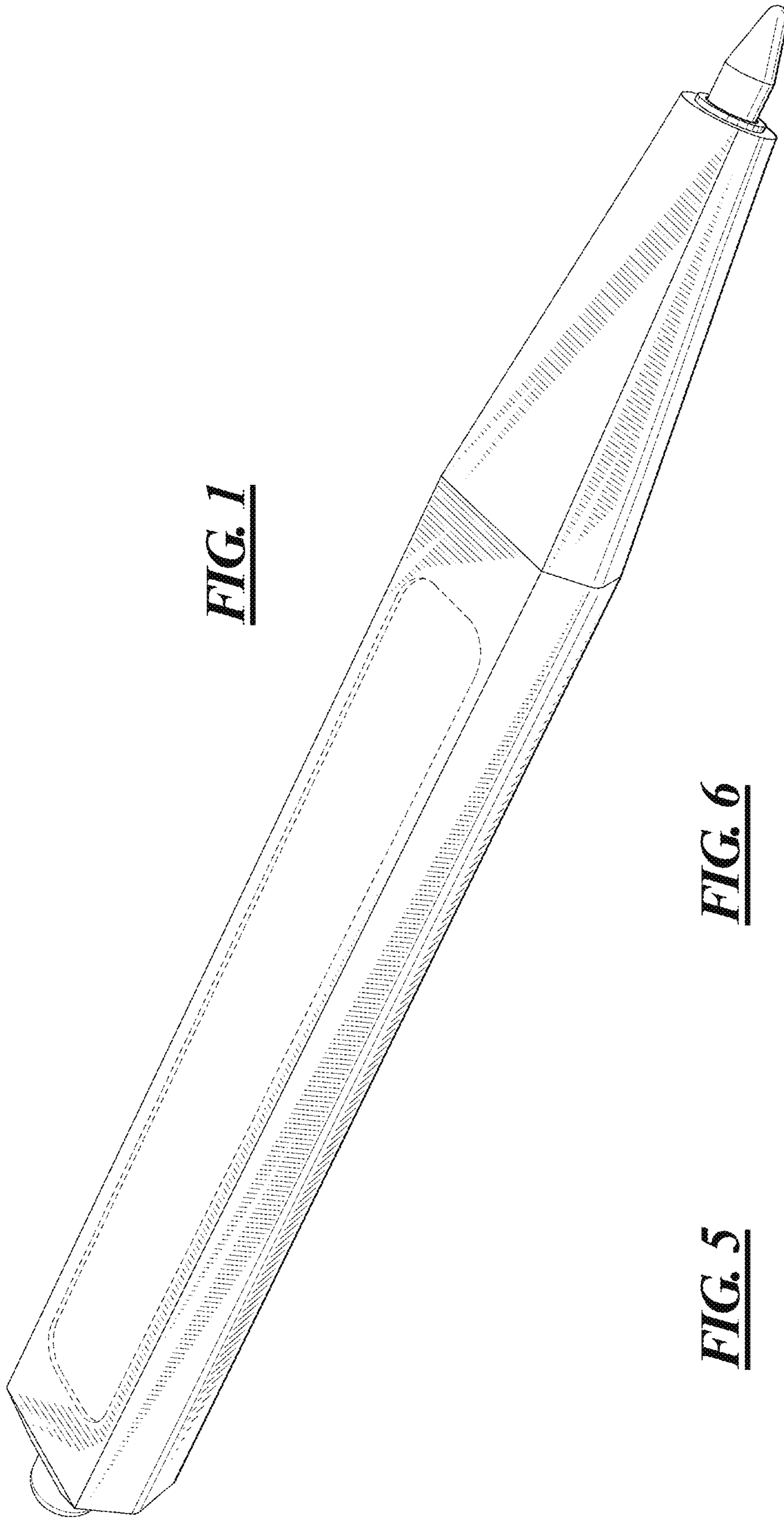
(56)

**References Cited**

U.S. PATENT DOCUMENTS

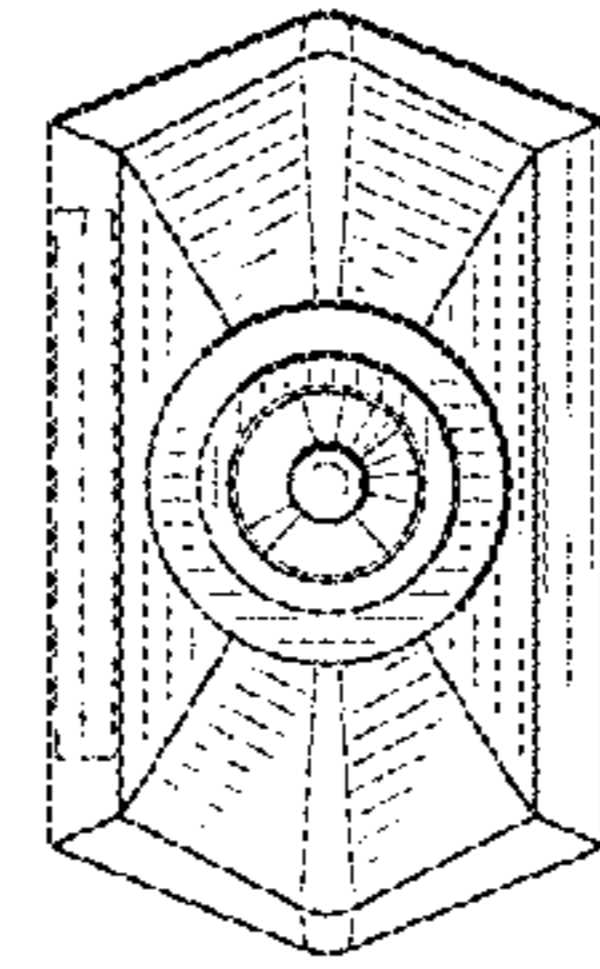
5,522,146	A	6/1996	Warburton	
D389,519	S	1/1998	Duford	
D422,309	S	4/2000	Bond	
D443,640	S	* 6/2001	Schapiro .....	D32/35
6,276,854	B1	8/2001	Mullins	
D501,877	S	2/2005	Granick	
6,948,251	B2	9/2005	Jebe et al.	
D524,372	S	7/2006	Granick	
D524,863	S	7/2006	Granick	
D579,045	S	10/2008	Allemand	
D579,046	S	10/2008	Allemand	
D601,625	S	10/2009	Yeh	
7,645,083	B2	1/2010	Burry et al.	
D656,989	S	* 4/2012	Briggl .....	D14/480.3
D698,863	S	2/2014	Ryan et al.	
D713,459	S	9/2014	Zeitler	
8,864,397	B2	10/2014	Ryan	

\* cited by examiner

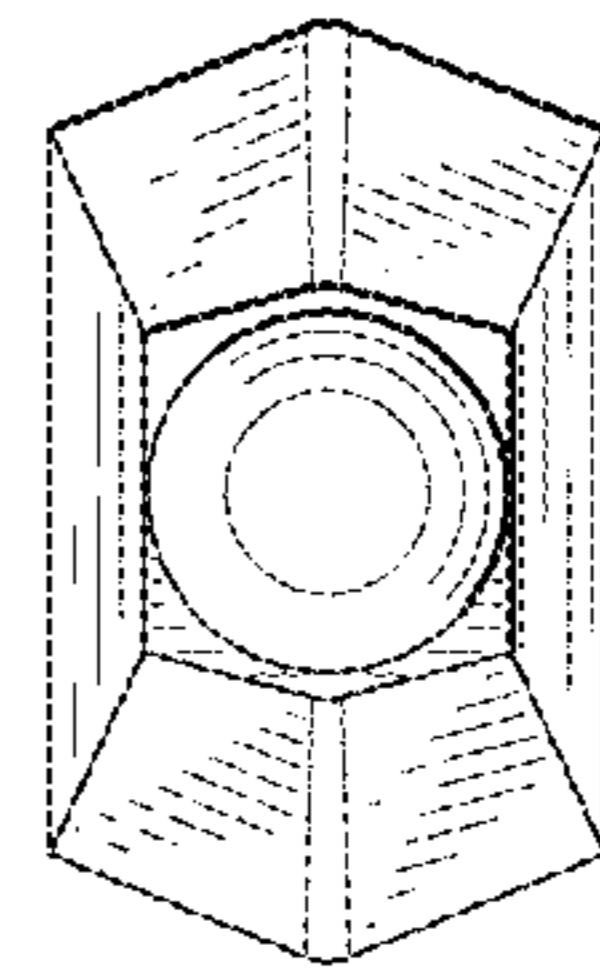


**FIG. 1**

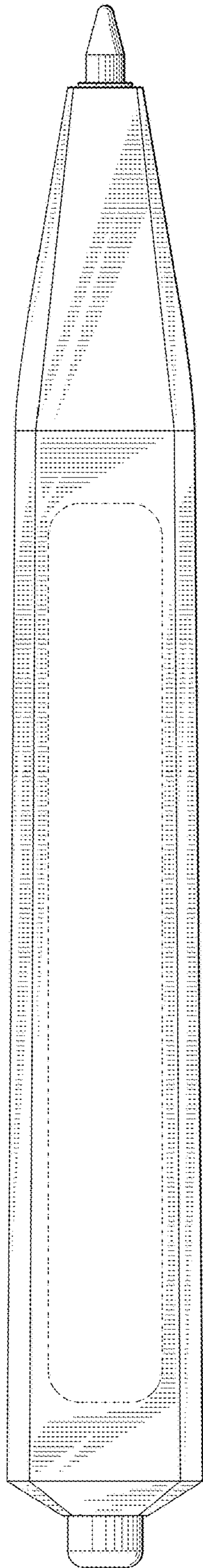
**FIG. 6**



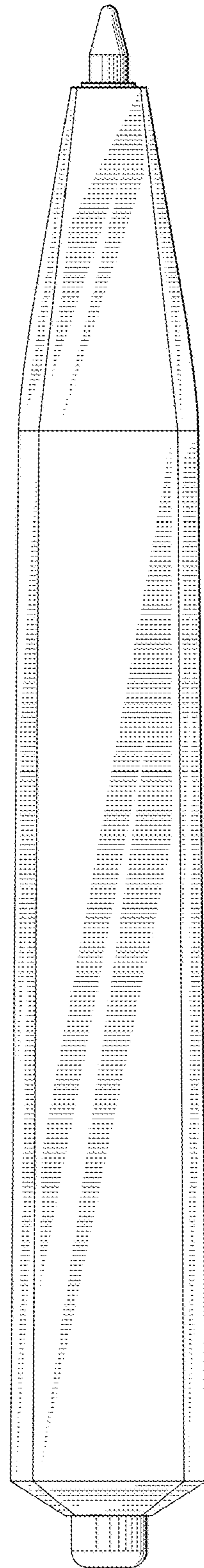
**FIG. 5**



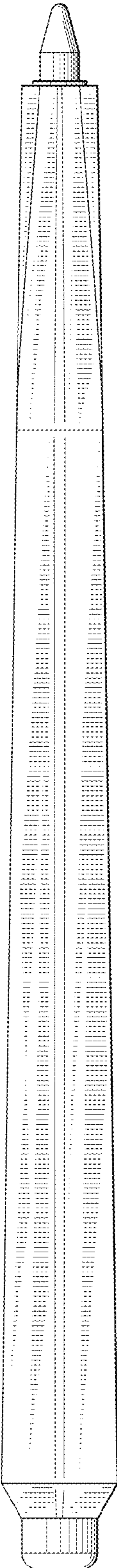
**FIG. 2**



**FIG. 3**



**FIG. 4**



**FIG. 7**

