



US00D878463S

(12) **United States Design Patent** (10) **Patent No.:** **US D878,463 S**  
**Casciotti et al.** (45) **Date of Patent:** **\*\* Mar. 17, 2020**

(54) **WRITING INSTRUMENT**

(71) Applicant: **AMSTERDAM PRINTING & LITHO, INC.**, North Mankato, MN (US)

(72) Inventors: **David M. Casciotti**, Amsterdam, NY (US); **Jing P. Mahler**, Glenville, NY (US); **Aaron Boese**, Saratoga Springs, NY (US)

(73) Assignee: **Amsterdam Printing & Litho, Inc.**, North Mankato, MN (US)

(\*\*) Term: **15 Years**

(21) Appl. No.: **29/663,678**

(22) Filed: **Sep. 18, 2018**

(51) **LOC (12) Cl.** ..... **19-06**

(52) **U.S. Cl.**  
USPC ..... **D19/174; D19/916**

(58) **Field of Classification Search**  
USPC ..... D19/115-204; D14/411  
CPC . B43K 5/005; B43K 7/12; B43K 8/04; B43K 8/06; B43K 19/00; B43K 19/02; B43K 19/14; B43K 21/006; B43K 21/06; A63F 3/0605; A63F 3/068  
See application file for complete search history.

(56) **References Cited**

**U.S. PATENT DOCUMENTS**

D408,854 S *	4/1999	Katami	.....	D19/170
D411,858 S *	7/1999	Katami	.....	D19/119
D446,243 S *	8/2001	Pellissa Beneyto	.....	D19/174
D474,809 S *	5/2003	Willat	.....	D19/175
D541,861 S *	5/2007	Qiu	.....	D19/170
D545,896 S *	7/2007	Qiu	.....	D14/480.3
D558,268 S *	12/2007	Siegel	.....	D19/174

D562,391 S *	2/2008	Gerules	.....	D19/174
D565,654 S *	4/2008	Siegel	.....	D19/171
D694,329 S *	11/2013	Hern	.....	D19/201
D725,771 S *	3/2015	Sendatzki	.....	D24/113
D726,821 S *	4/2015	Casciotti	.....	D19/117
D770,038 S *	10/2016	Ahlgrim	.....	D24/113
D791,873 S *	7/2017	Pennington	.....	D19/173
D799,026 S *	10/2017	Jones	.....	D24/113
D844,775 S *	4/2019	Jansen	.....	D24/112
10,279,116 B2 *	5/2019	Plumptre	.....	A61M 5/24
D855,107 S *	7/2019	Briggl	.....	D19/171
D862,690 S *	10/2019	Jansen	.....	D24/113
D863,549 S *	10/2019	Jansen	.....	D24/113
D867,453 S *	11/2019	Xie	.....	D19/164
2014/0052075 A1 *	2/2014	Schneider	.....	A61M 5/24 604/207

\* cited by examiner

*Primary Examiner* — Elizabeth A. Albert

(74) *Attorney, Agent, or Firm* — Dicke, Billig & Czaja, PLLC

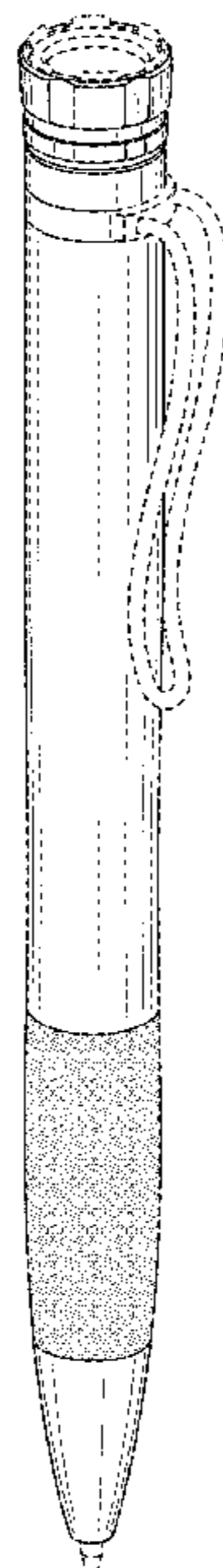
(57) **CLAIM**

We claim the ornamental design for a writing instrument, as shown and described.

**DESCRIPTION**

FIG. 1 is an isometric view of a writing instrument showing our new design;  
FIG. 2 is a front view of FIG. 1;  
FIG. 3 is a back view of FIG. 1;  
FIG. 4 is a right side view of FIG. 1;  
FIG. 5 is a left side view of FIG. 1;  
FIG. 6 is an enlarged top view of FIG. 1; and,  
FIG. 7 is an enlarged bottom view of FIG. 1.  
The broken lines in the drawings of FIGS. 1-7 are included for the purpose of showing portions that form no part of the claimed design.

**1 Claim, 7 Drawing Sheets**



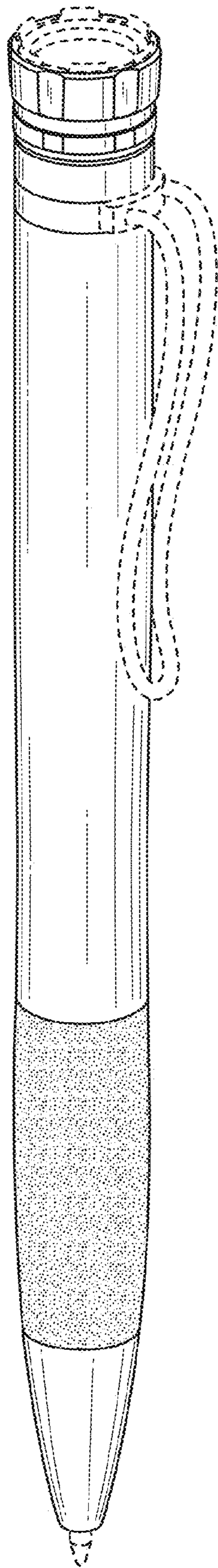


Fig. 1

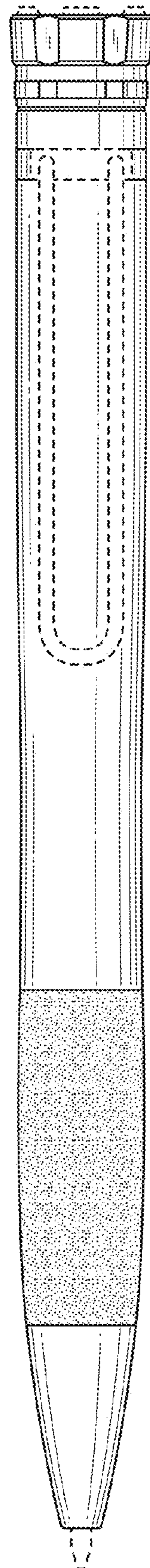


Fig. 2

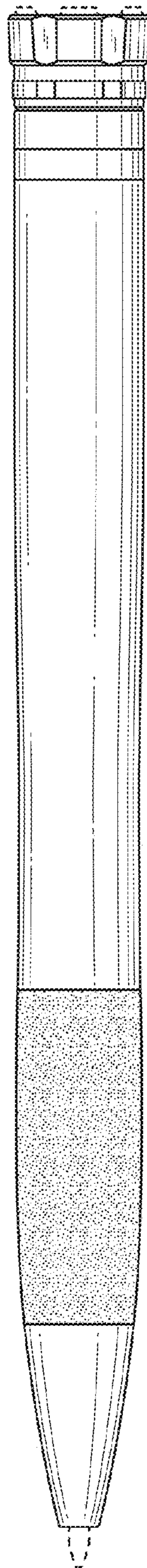


Fig. 3

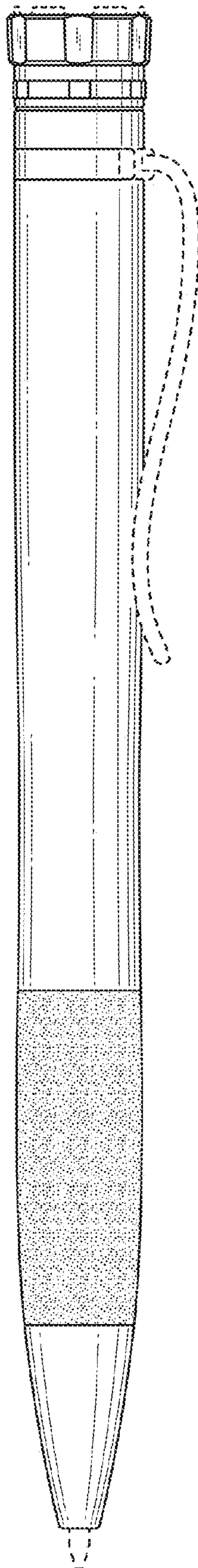


Fig. 4

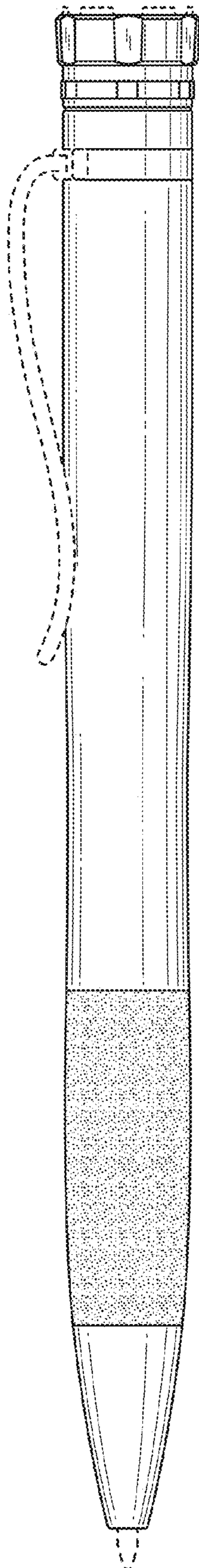


Fig. 5

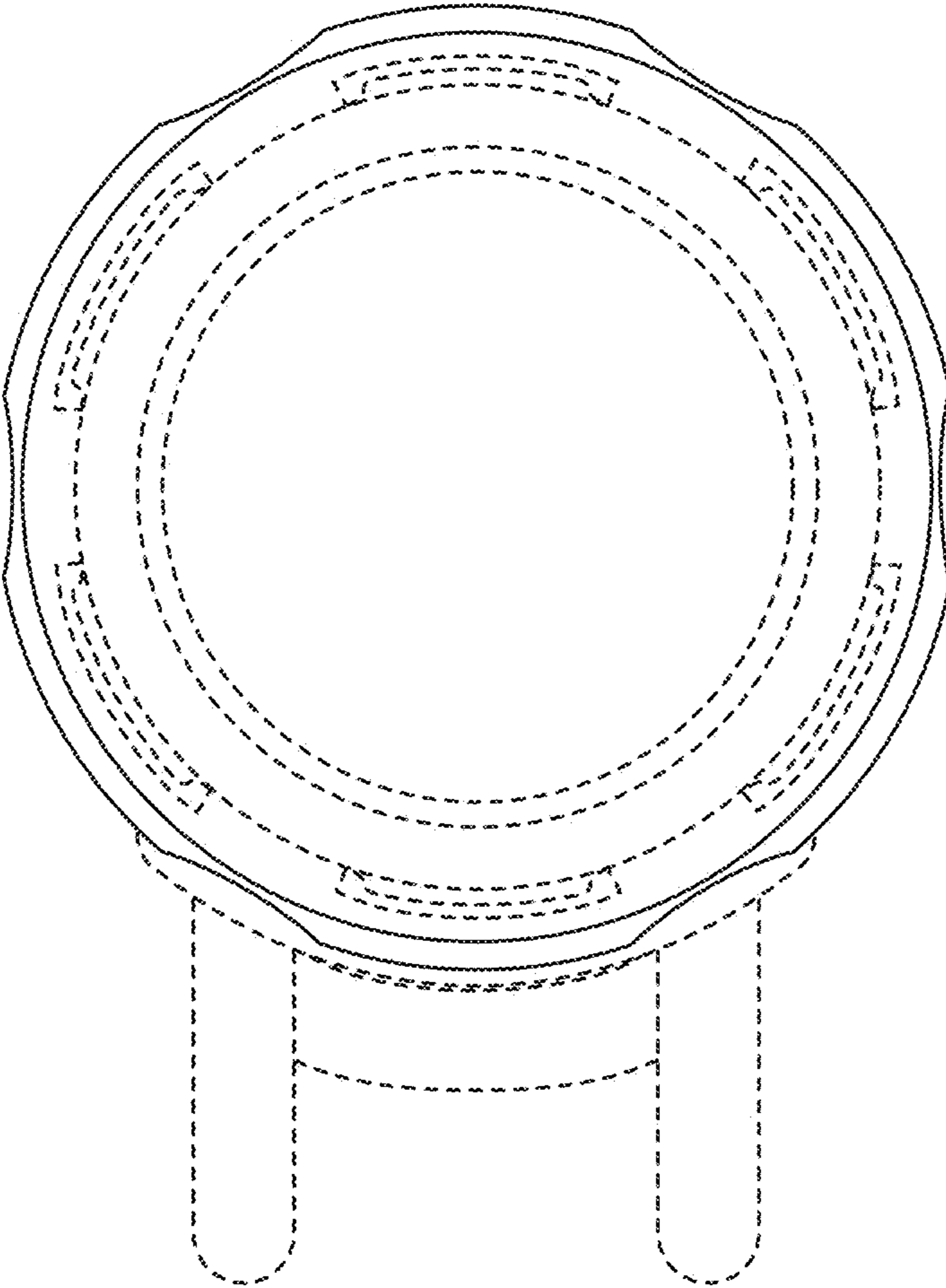


Fig. 6

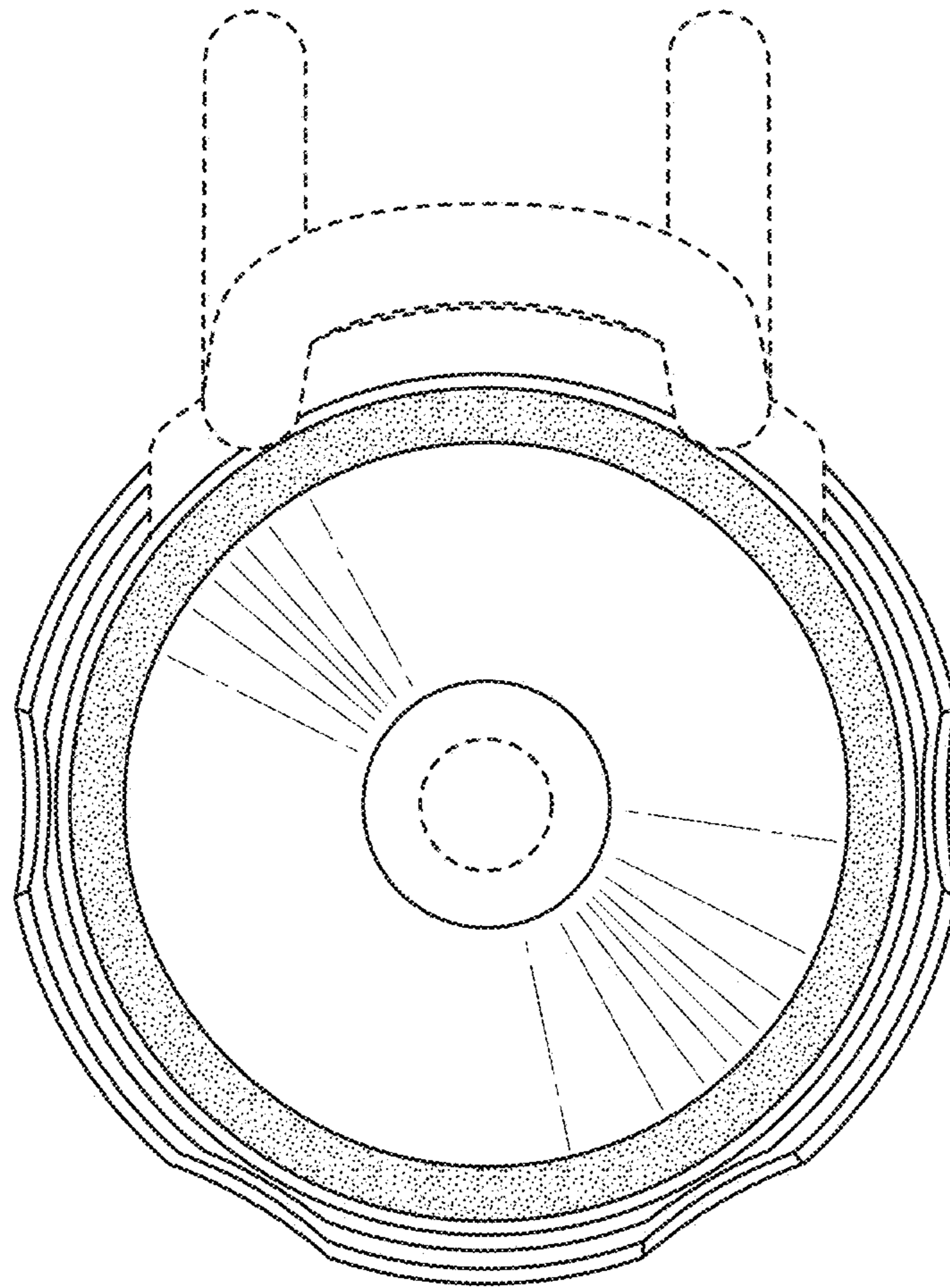


Fig. 7