



US00D878462S

(12) **United States Design Patent** (10) **Patent No.:** **US D878,462 S**  
**Costas** (45) **Date of Patent:** **\*\* Mar. 17, 2020**

(54) **DRY ERASE BOARD WITH NOTE HOLDER**

(71) Applicant: **Trophius Pty Ltd.**, Cremorne (AU)

(72) Inventor: **Eric Costas**, Cremorne (AU)

(73) Assignee: **Trophius Pty Ltd.**, Cremorne (AU)

(\*\*) Term: **15 Years**

(21) Appl. No.: **29/656,032**

(22) Filed: **Jul. 10, 2018**

**Related U.S. Application Data**

(62) Division of application No. 29/584,481, filed on Nov. 15, 2016.

(51) **LOC (12) Cl.** ..... **19-06**

(52) **U.S. Cl.**  
USPC ..... **D19/113**

(58) **Field of Classification Search**  
USPC ..... D19/62, 65, 88, 91, 113, 115; D20/10,  
D20/27, 39, 43, 44  
CPC ... B42D 5/005; B43L 5/02; B42F 9/00; B42F  
9/001  
See application file for complete search history.

(56) **References Cited**

**U.S. PATENT DOCUMENTS**

3,363,341 A	1/1968	Glassman
D244,017 S	4/1977	Bott
D251,124 S	2/1979	Takeuchi
D327,095 S	6/1992	Meyer
5,176,522 A	1/1993	Robertson, Jr.
5,397,091 A	3/1995	Tsuar
D413,146 S	8/1999	Moore
D435,593 S	12/2000	Hellwig et al.
D451,134 S	11/2001	Fonfeder
D487,289 S	3/2004	Richter

(Continued)

**FOREIGN PATENT DOCUMENTS**

AU	346443	1/2013
AU	346543	1/2013

**OTHER PUBLICATIONS**

“Office Depot Brand 4-Piece Stainless Steel Magnet Hook Set, Assorted Shapes (No Shape Choice)”; Office Depot; disclosure date unknown but prior to date of filing present application; URL: <<http://www.officedepot.com/a/products/352108/Office-Depot-Brand-4-Piece-Stainless/>>.

*Primary Examiner* — Derrick E Holland

*Assistant Examiner* — Andrew Kerr

(74) *Attorney, Agent, or Firm* — Banner & Witcoff, Ltd.

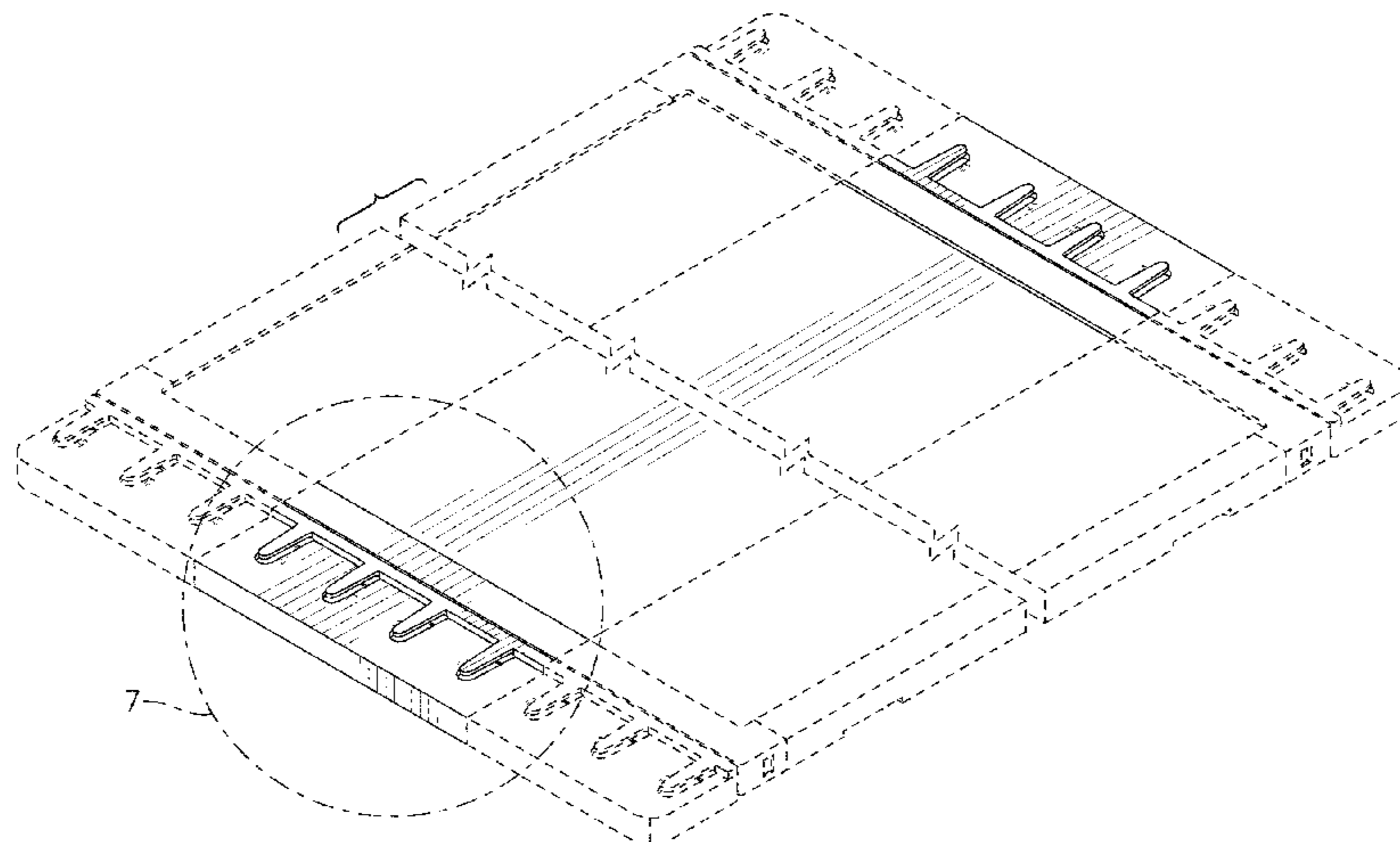
(57) **CLAIM**

The ornamental design for a dry erase board with note holder, as shown and described.

**DESCRIPTION**

FIG. 1 is a front perspective view of a dry erase board with note holder showing my new design; FIG. 2 is a front view thereof; FIG. 3 is a top view thereof; FIG. 4 is a bottom view thereof; FIG. 5 is a right side view thereof; FIG. 6 is a left side view thereof; FIG. 7 is an enlarged fragmental front perspective view taken from the designated area in FIG. 1; and, FIG. 8 is an enlarged fragmental front view taken from the designated area in FIG. 2. The broken lines immediately adjacent to the shaded areas of the dry erase board with note holder define the bounds of the claimed design and form no part thereof. All other broken lines represent environmental structure and form no part of the claimed design. The dry erase board with note holder is shown with a symbolic break in its length. The appearance of any portion of the article between the break lines forms no part of the claimed design.

**1 Claim, 6 Drawing Sheets**



(56)

References Cited

U.S. PATENT DOCUMENTS

D496,068 S 9/2004 Mandel  
 D507,302 S 7/2005 Chen et al.  
 D507,812 S 7/2005 Cesaroni et al.  
 D521,068 S 5/2006 Newbould  
 7,040,051 B2 5/2006 Windorski  
 D586,396 S 2/2009 Kang  
 D589,089 S 3/2009 Loerakker et al.  
 D589,560 S 3/2009 Beno et al.  
 D593,156 S 5/2009 Vasconcelos  
 D594,062 S 6/2009 Loerakker  
 D607,058 S 12/2009 Kim  
 D617,565 S 6/2010 Mischel, Jr.  
 D623,227 S 9/2010 Hoch et al.  
 D623,693 S 9/2010 Hoch et al.  
 D629,043 S 12/2010 Beno et al.  
 7,874,842 B2 1/2011 Beno  
 D645,515 S 9/2011 Williams, Sr.  
 D667,413 S 9/2012 Song  
 D669,532 S 10/2012 Killian  
 D669,533 S \* 10/2012 Okabe ..... D19/113  
 D672,817 S 12/2012 Butmir et al.  
 D683,403 S 5/2013 Vasconcelos  
 D690,361 S 9/2013 Kang  
 D705,356 S 5/2014 Kang  
 D715,859 S 10/2014 Costas  
 D715,860 S 10/2014 Costas  
 D715,861 S 10/2014 Costas  
 D716,377 S 10/2014 Costas  
 D719,217 S 12/2014 Costas  
 D719,218 S 12/2014 Costas

D724,666 S \* 3/2015 Paulick ..... D19/88  
 9,090,116 B2 7/2015 Tunis et al.  
 D747,412 S 1/2016 Sachs  
 D752,145 S 3/2016 Killian  
 D753,222 S 4/2016 Costas  
 D755,892 S 5/2016 Costas  
 D776,759 S 1/2017 Costas  
 D777,254 S \* 1/2017 Condren ..... D19/65  
 D778,356 S 2/2017 Costas  
 D782,233 S \* 3/2017 Jackson ..... D6/706  
 D784,746 S \* 4/2017 Jackson ..... D6/706  
 D784,747 S \* 4/2017 Jackson ..... D6/706  
 D785,706 S 5/2017 Hoch et al.  
 D787,593 S 5/2017 Robins  
 D792,518 S \* 7/2017 Sachs ..... D19/113  
 D794,121 S 8/2017 Costas  
 D794,122 S 8/2017 Costas  
 D794,123 S 8/2017 Costas  
 D794,124 S 8/2017 Costas  
 D794,125 S 8/2017 Costas  
 D809,599 S 2/2018 Costas  
 D809,600 S 2/2018 Anderson  
 D811,478 S 2/2018 Costas  
 D818,357 S 5/2018 Cummings  
 D836,720 S 12/2018 Kang  
 D854,084 S \* 7/2019 Condren ..... D19/65  
 D855,612 S \* 8/2019 Lim ..... D14/374  
 2005/0191611 A1 9/2005 Owen et al.  
 2006/0049125 A1 \* 3/2006 Stowell ..... A47B 57/583  
 211/184  
 2012/0206344 A1 8/2012 Hill et al.  
 2012/0250936 A1 10/2012 Holmgren  
 2013/0200228 A1 8/2013 Costas

\* cited by examiner

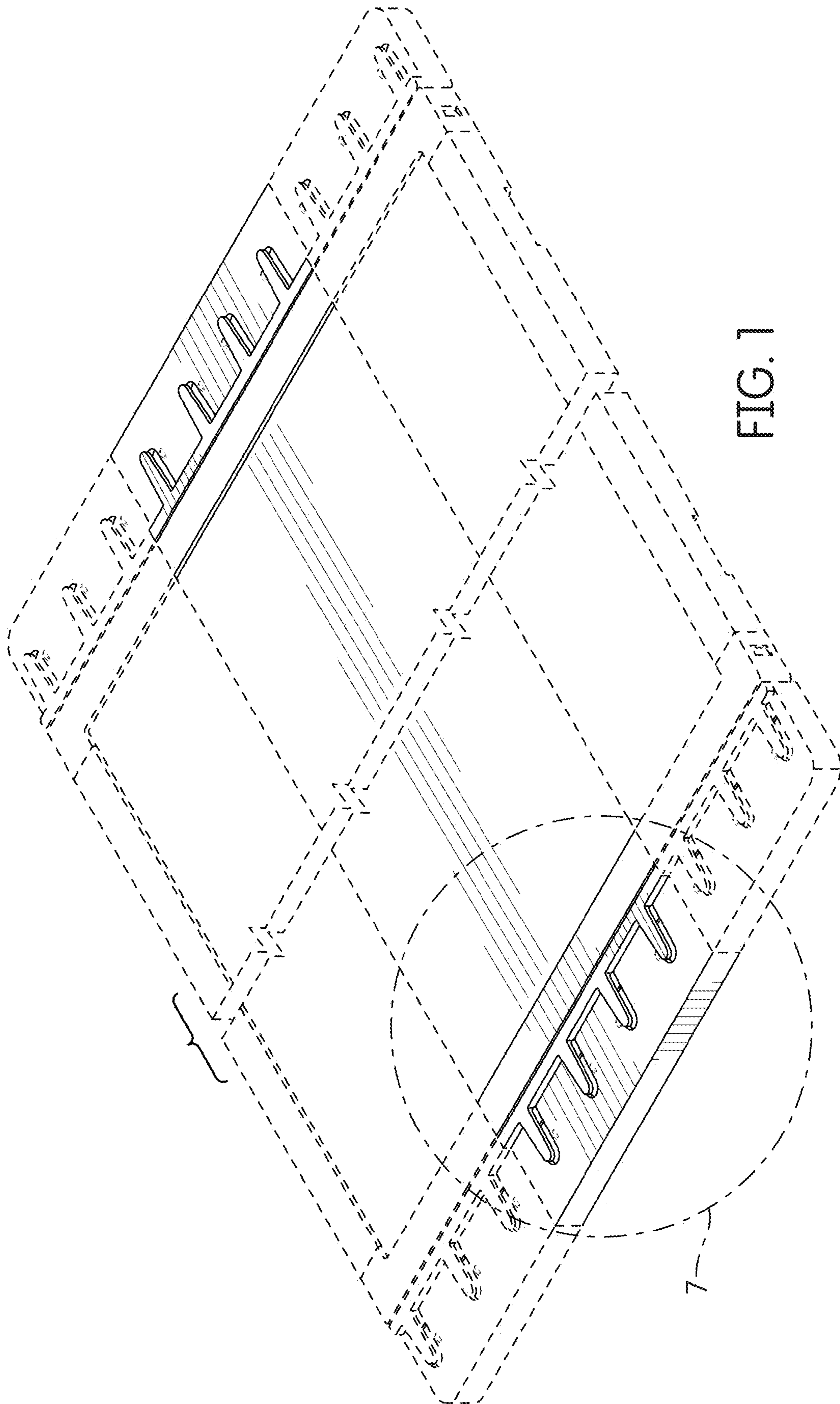


FIG. 1

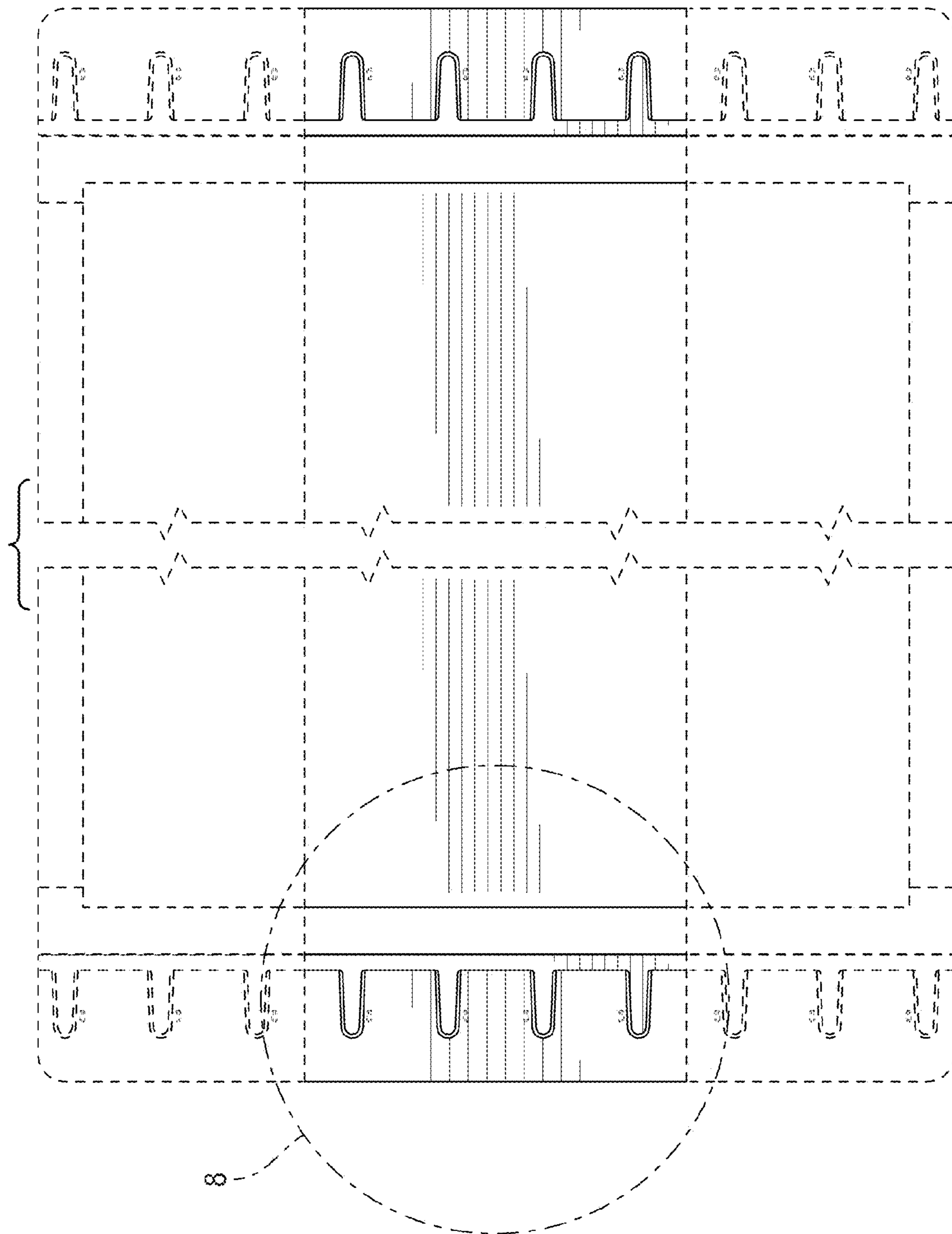


FIG. 2

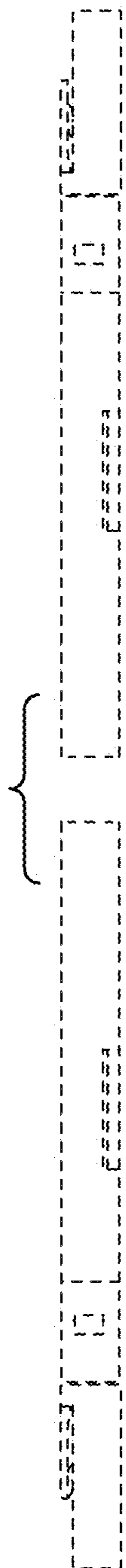


FIG. 3

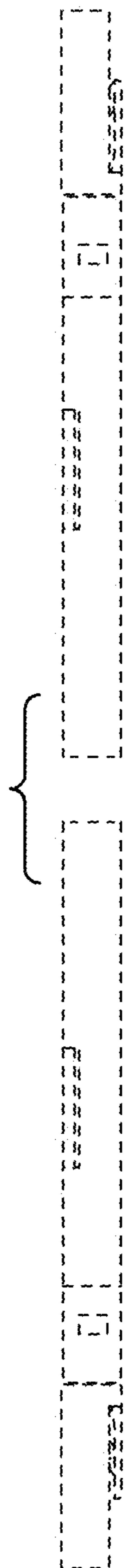


FIG. 4

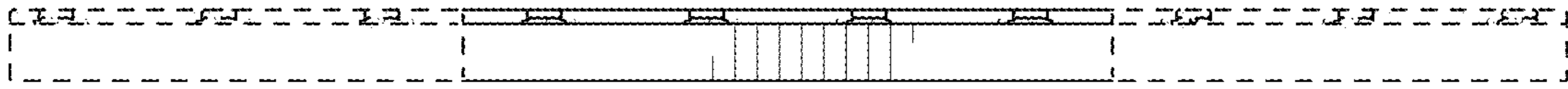


FIG. 5

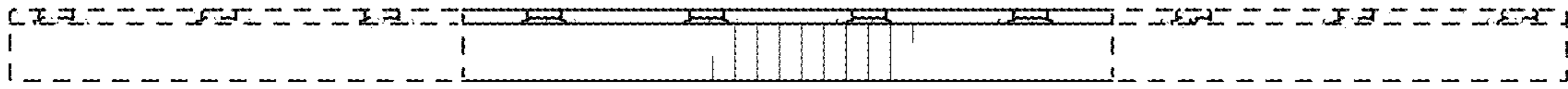


FIG. 6

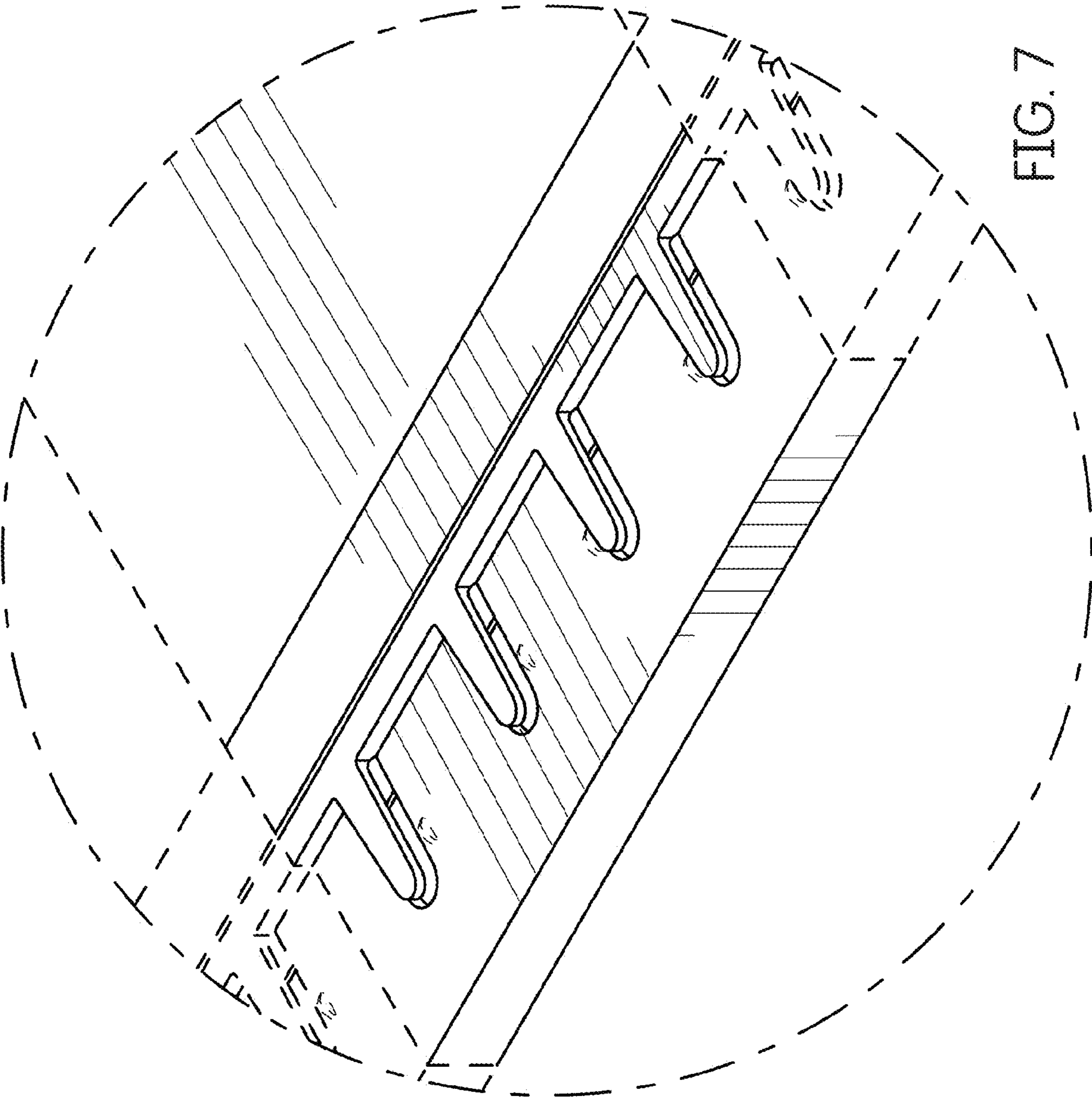


FIG. 7

