



US00D878459S

(12) **United States Design Patent**
Rule et al.

(10) **Patent No.:** **US D878,459 S**
(45) **Date of Patent:** **** Mar. 17, 2020**

(54) **COUNTING DEVICE**

(71) Applicants: **Lynn Rule**, Wheaton, IL (US); **Scott Rule**, Wheaton, IL (US)

(72) Inventors: **Lynn Rule**, Wheaton, IL (US); **Scott Rule**, Wheaton, IL (US)

(**) Term: **15 Years**

(21) Appl. No.: **29/640,802**

(22) Filed: **Mar. 16, 2018**

(51) **LOC (12) Cl.** **19-07**

(52) **U.S. Cl.**
USPC **D19/64**

(58) **Field of Classification Search**
USPC D19/59-64; D18/6, 9
CPC G06N 99/005; G06C 1/00; A44C 5/0015;
A63B 71/0672; A63F 3/04; A63F 3/0478;
A63F 3/00634; A63F 9/0098; A63F 9/06;
G09B 1/02; G09B 1/10; G09B 1/14;
G09B 1/20; G09B 19/00; G09B 19/02;
G09B 9/02

See application file for complete search history.

(56) **References Cited**

U.S. PATENT DOCUMENTS

378,866	A *	3/1888	Clark et al.	G09B 19/02 434/203
1,099,009	A *	6/1914	Bennett	G09B 19/02 434/203
D184,042	S *	12/1958	Dochterman et al.	D18/6
D217,911	S *	6/1970	Herold	D18/6
3,633,287	A *	1/1972	Squires	G06C 1/00 434/189
D266,369	S *	9/1982	Corigliano	D18/6
D529,551	S	10/2006	Rule		
D534,960	S	1/2007	Rule		
D558,271	S	12/2007	Rule		
D587,756	S	3/2009	Rule		
D674,441	S	1/2013	Rule		
8,496,483	B1 *	7/2013	Walters	G09B 1/14 434/172

(Continued)

FOREIGN PATENT DOCUMENTS

DE 202012008789 U1 * 4/2013 G09B 19/02
FR 2849936 A1 * 7/2004 G09B 19/02

(Continued)

OTHER PUBLICATIONS

Amazon. Link: https://www.amazon.com/GUAngqi-Education-Development-Arithmetic-Kindergarten/dp/B07P6L9GFF/ref=sr_1_7?keywords=exercise+abacus&qid=1558729451&s=gateway&sr=8-7. Visited May 28, 2019. GUAngqi Early Education Development Activity Toy Student Abacus. (Year: 2019).*

Primary Examiner — Susan Bennett Hattan
Assistant Examiner — Lauren D McVey
(74) *Attorney, Agent, or Firm* — Pauley Erickson & Kottis

(57) **CLAIM**

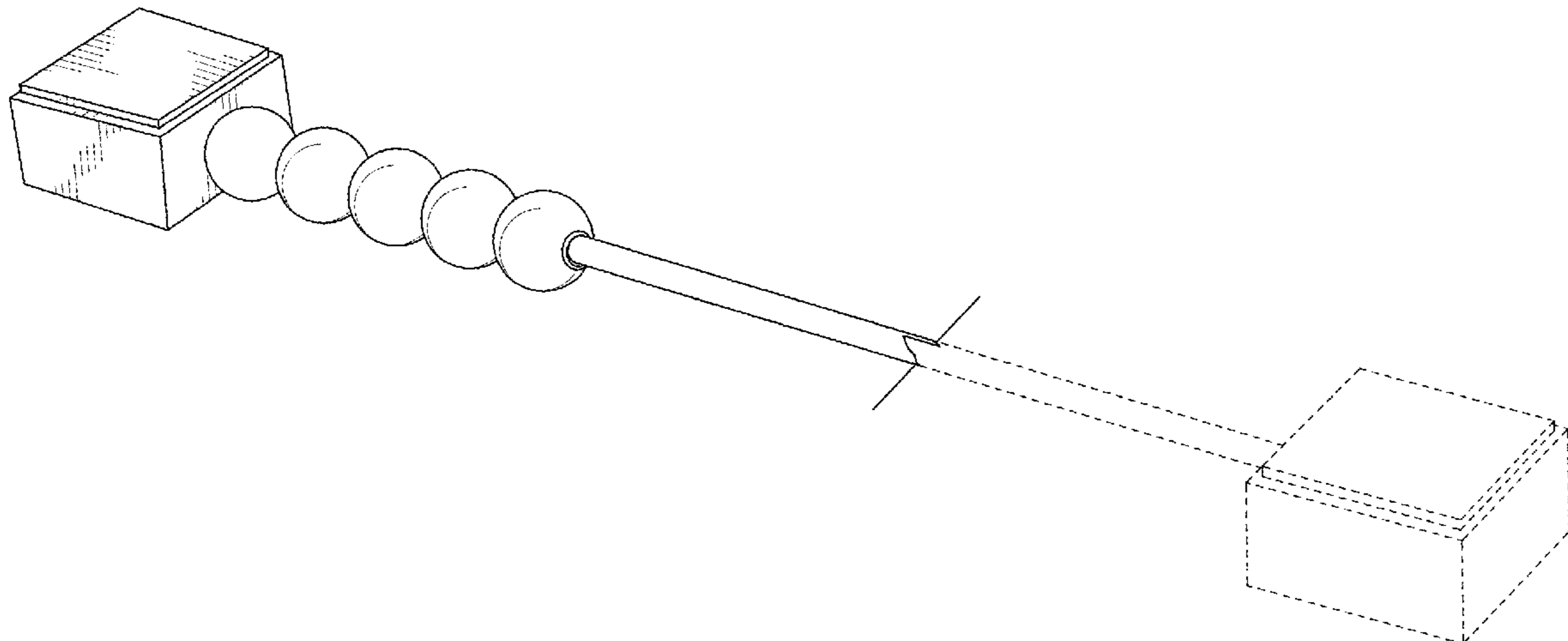
The ornamental design for a counting device, as shown.

DESCRIPTION

FIG. 1 is a front right perspective view of a counting device; FIG. 2 is a bottom left perspective view thereof; FIG. 3 is a right side view thereof; FIG. 4 is a left side view thereof; FIG. 5 is a top view thereof; FIG. 6 is a bottom view thereof; FIG. 7 is a front view thereof; and, FIG. 8 is a rear view thereof.

The counting device is shown with a symbolic break in its length. The broken away symbols in the drawings indicate that any portion of the counting device beyond what is shown forms no part of the claimed design. The broken lines are directed to environment and form no part of the claimed design.

1 Claim, 8 Drawing Sheets



(56)

References Cited

U.S. PATENT DOCUMENTS

D813,306 S 3/2018 Rule
D841,733 S * 2/2019 Herrmann D19/64
D844,697 S * 4/2019 Han D18/6
2003/0148250 A1* 8/2003 Walker G09B 1/20
434/203
2007/0048708 A1* 3/2007 Lee G09B 19/02
434/236
2008/0171310 A1* 7/2008 Wiles A63B 69/12
434/203
2008/0280273 A1* 11/2008 Lee G06C 1/00
434/203

FOREIGN PATENT DOCUMENTS

GB 1209324 A * 10/1970 G09B 19/02
WO WO-2006039955 A1 * 4/2006 G06C 1/00
WO WO-2007043739 A1 * 4/2007 G06C 1/00

* cited by examiner

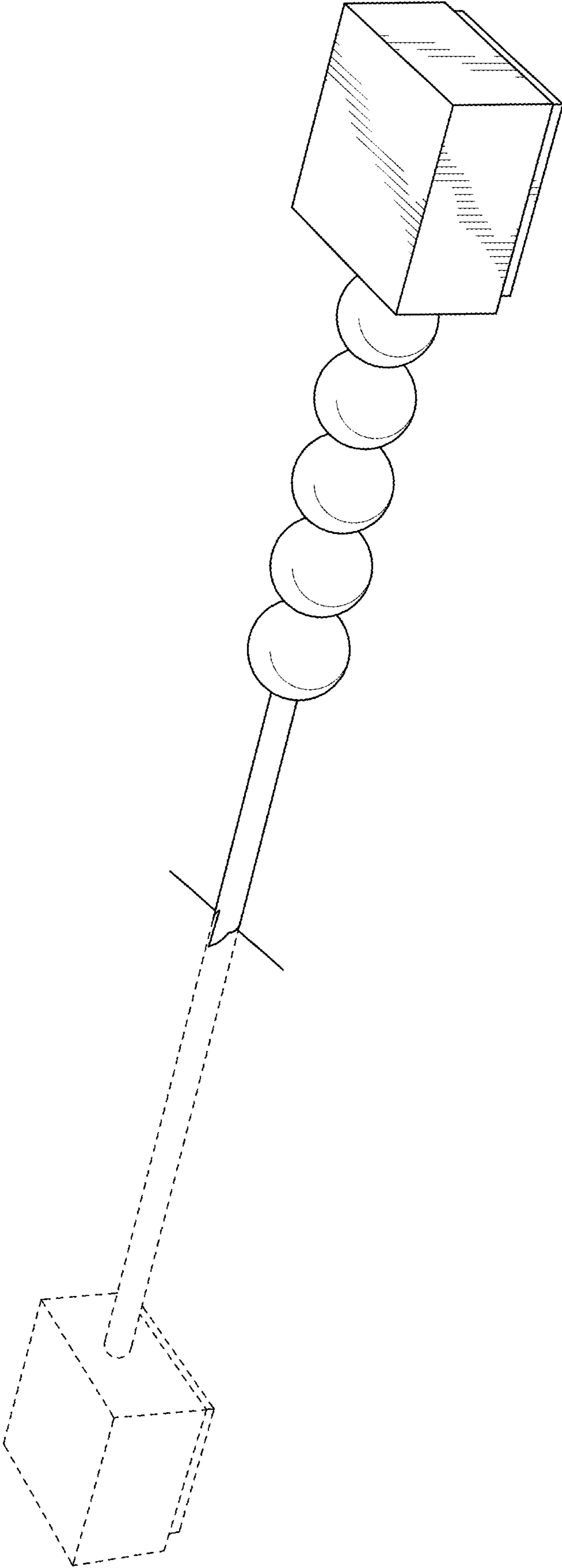


FIG. 1

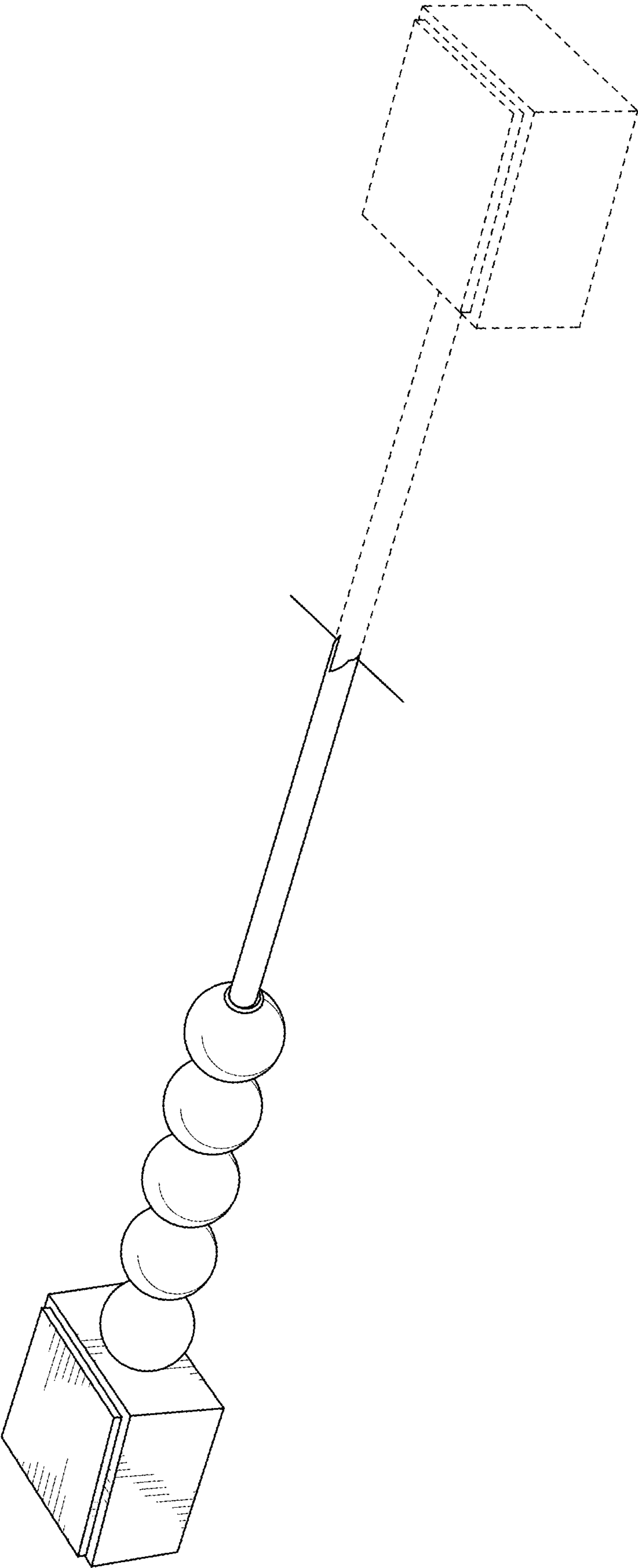


FIG. 2

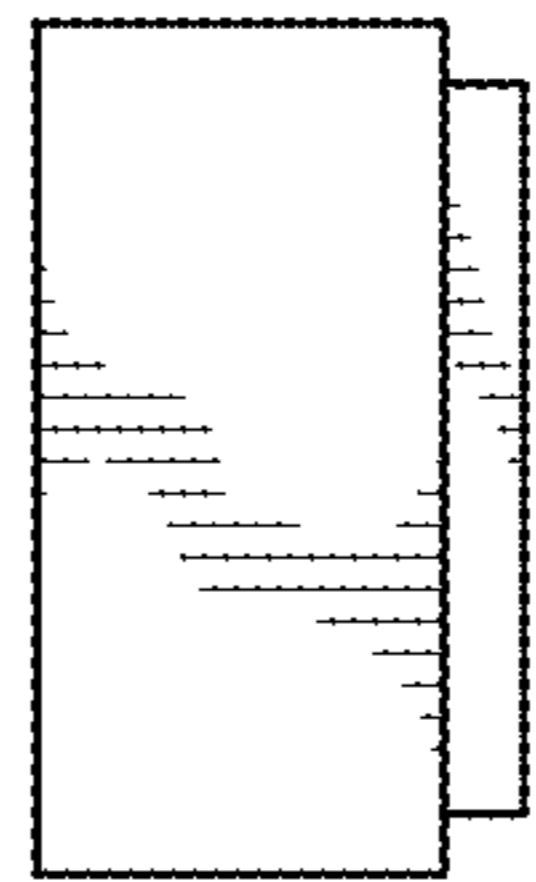


FIG. 3

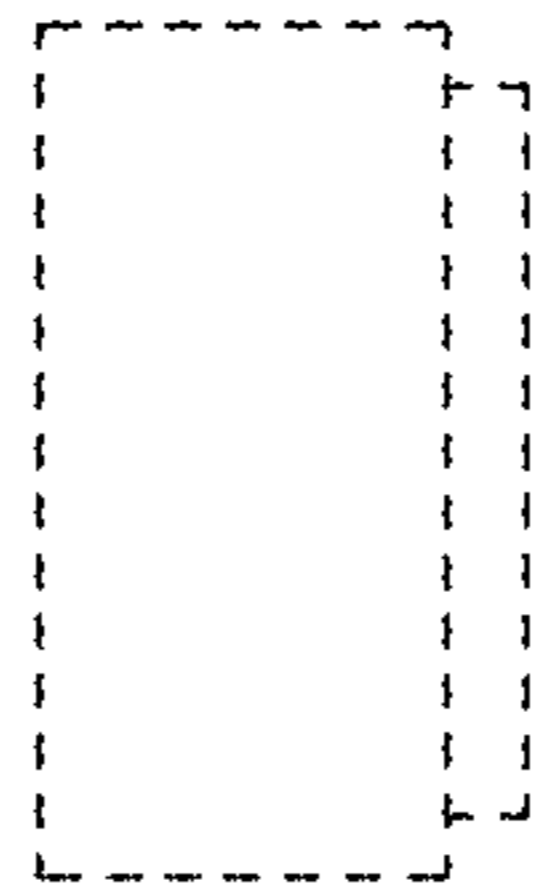


FIG.4

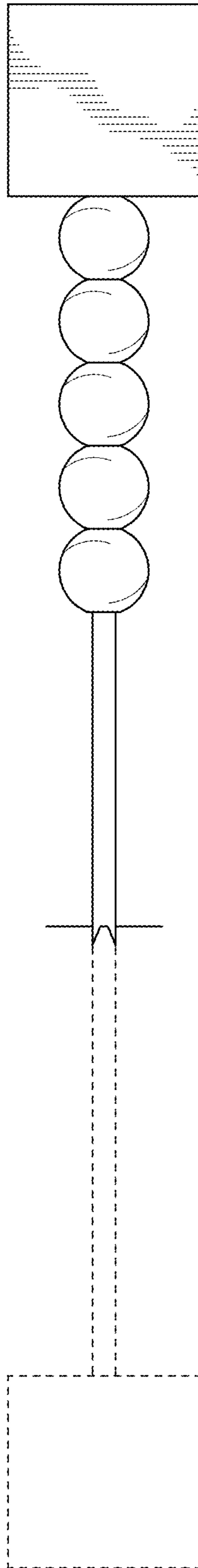


FIG. 5

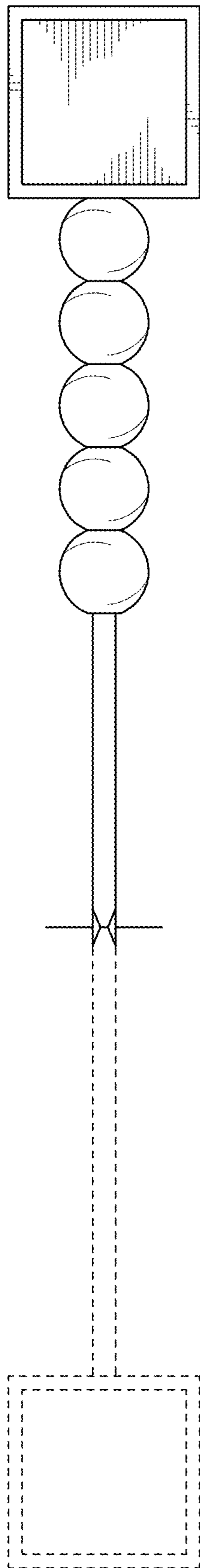


FIG. 6

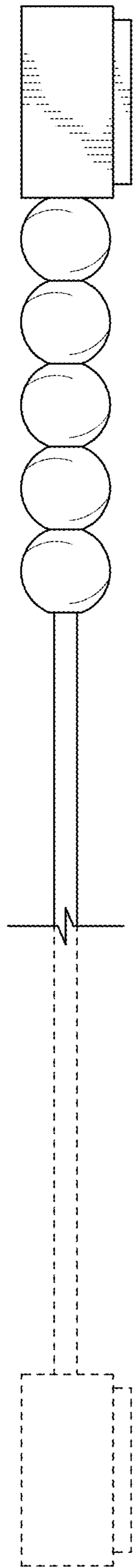


FIG. 7

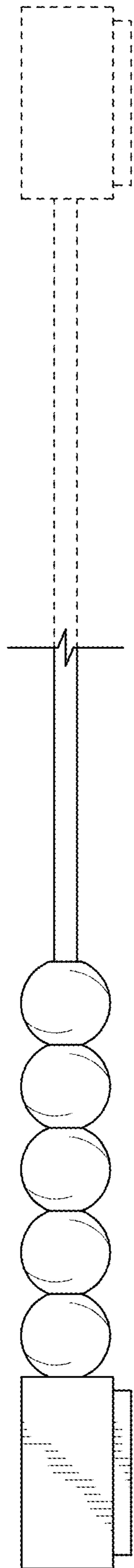


FIG. 8