



US00D878452S

(12) **United States Design Patent**
Tanaka et al.

(10) **Patent No.:** **US D878,452 S**
(45) **Date of Patent:** **** Mar. 17, 2020**

(54) **PROJECTOR**

(71) Applicant: **FUJIFILM Corporation**, Tokyo (JP)

(72) Inventors: **Kunihiko Tanaka**, Saitama (JP); **Koji Yoshida**, Saitama (JP)

(73) Assignee: **FUJIFILM Corporation**, Tokyo (JP)

(**) Term: **15 Years**

(21) Appl. No.: **29/659,335**

(22) Filed: **Aug. 8, 2018**

(30) **Foreign Application Priority Data**

Feb. 9, 2018 (JP) 2018-002725

(51) **LOC (12) Cl.** **16-02**

(52) **U.S. Cl.**
USPC **D16/235**

(58) **Field of Classification Search**

USPC D16/221, 225, 229-231, 234-235, 208,
D16/219, 200, 201-203, 134, 136-137;
D21/514; 353/101, 115, 119, 122

(Continued)

(56) **References Cited**

U.S. PATENT DOCUMENTS

3,100,427 A * 8/1963 Lehmann G03G 15/221
D16/225

D364,416 S * 11/1995 Saeki D16/221
(Continued)

Primary Examiner — Wan Laymon

(74) *Attorney, Agent, or Firm* — Birch, Stewart, Kolasch & Birch, LLP

(57) **CLAIM**

The ornamental design for a projector, as shown and described.

DESCRIPTION

FIG. 1 is a left perspective view of a projector showing our new design;

FIG. 2 is a front view thereof;

FIG. 3 is a rear view thereof;

FIG. 4 is a top plan view thereof;

FIG. 5 is a bottom plan view thereof;

FIG. 6 is a right side view thereof;

FIG. 7 is a left side view thereof;

FIG. 8 is a left perspective view of a projector illustrating the situation that a lens barrier cylinder rises, showing our new design;

FIG. 9 is a front view thereof;

FIG. 10 is a left side view thereof;

FIG. 11 is a left perspective view of a projector illustrating the situation that a cover is moved backward, showing our new design;

FIG. 12 is a front view thereof;

FIG. 13 is a rear view thereof;

FIG. 14 is a top plan view thereof;

FIG. 15 is a bottom plan view thereof;

FIG. 16 is a right side view thereof;

FIG. 17 is a left side view thereof;

FIG. 18 is a left perspective view of a projector illustrating the situation that a handle is drawn upward, showing our new design;

FIG. 19 is a front view thereof;

FIG. 20 is a rear view thereof;

FIG. 21 is a top plan view thereof;

FIG. 22 is a bottom plan view thereof;

FIG. 23 is a right side view thereof;

FIG. 24 is a left side view thereof;

FIG. 25 is a left perspective view of a projector illustrating the situation that the lens is directed to first direction, showing our new design;

FIG. 26 is a front view thereof;

FIG. 27 is a rear view thereof;

FIG. 28 is a top plan view thereof;

FIG. 29 is a bottom plan view thereof;

FIG. 30 is a right side view thereof;

FIG. 31 is a left side view thereof;

FIG. 32 is a left perspective view of a projector illustrating the situation that the lens is directed to second direction, showing our new design;

(Continued)

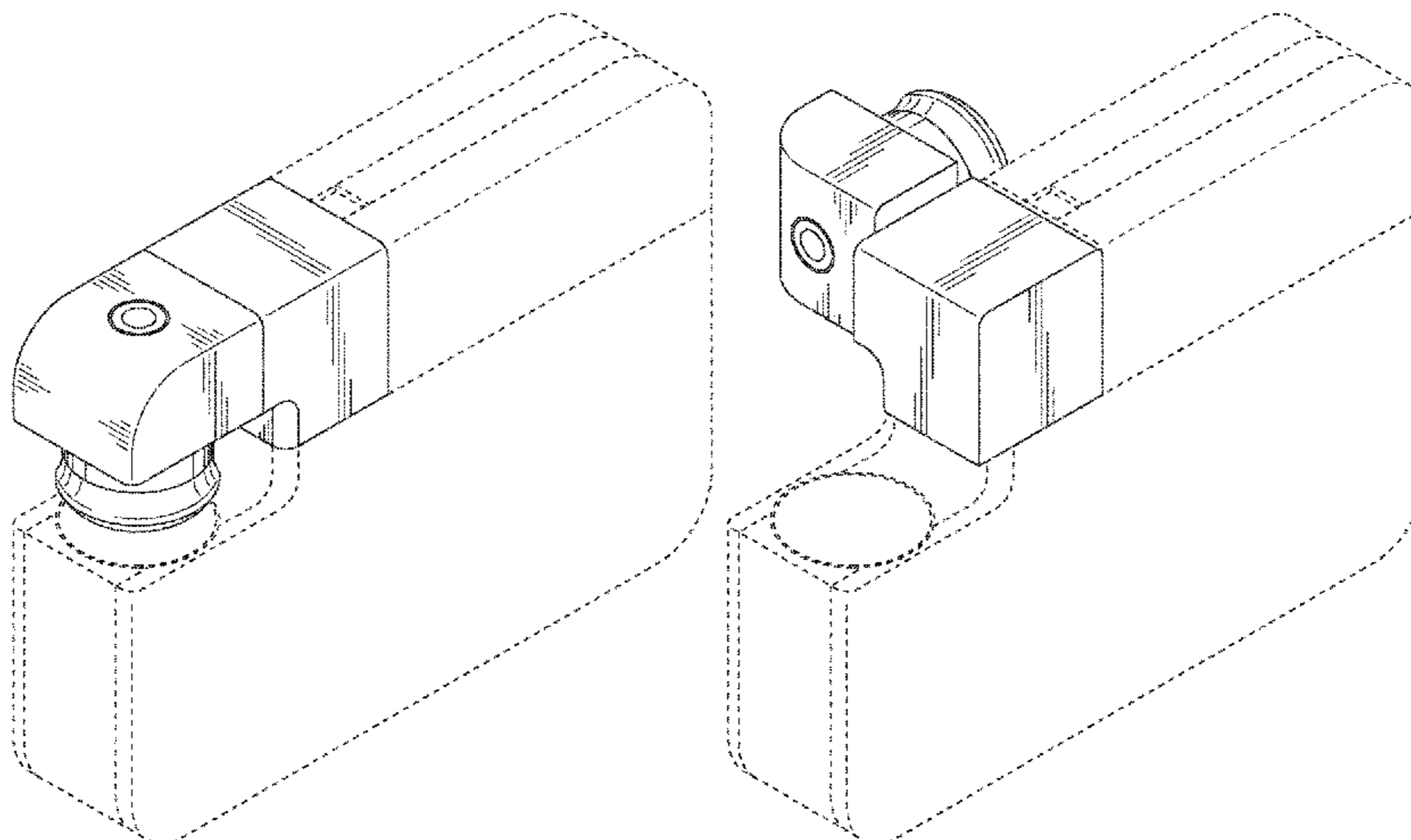


FIG. 33 is a left perspective view of a projector illustrating the situation that the lens is directed to third direction, showing our new design;
FIG. 34 is a left perspective view of a projector illustrating the situation that the lens is directed to fourth direction, showing our new design;
FIG. 35 is a left perspective view of a projector illustrating the situation that the lens is directed to fifth direction, showing our new design;
FIG. 36 is a left perspective view of a projector illustrating the situation that the lens is directed to sixth direction, showing our new design;
FIG. 37 is a left perspective view of a projector illustrating the situation that the lens is directed to seventh direction, showing our new design;
FIG. 38 is a left perspective view of a projector illustrating the situation that the lens is directed to eighth direction, showing our new design;
FIG. 39 is a left perspective view of a projector illustrating the situation that the lens is directed to ninth direction, showing our new design;
FIG. 40 is a left perspective view of a projector illustrating the situation that the lens is directed to tenth direction, showing our new design; and,
FIG. 41 is a left perspective view of a projector illustrating the situation that the lens is directed to eleventh direction, showing our new design.

The broken lines depict portions of the projector in which the design is embodied that form no part of the claimed design.

1 Claim, 37 Drawing Sheets

(58) **Field of Classification Search**

CPC G03B 21/00; G03B 21/001; G03B 21/003;
G03B 21/12; G03B 21/14; G03B 21/142;
G03B 21/145

See application file for complete search history.

(56) **References Cited**

U.S. PATENT DOCUMENTS

D371,564	S	*	7/1996	Sunada	D16/221
D405,100	S	*	2/1999	Suzuki	D16/231
D421,269	S	*	2/2000	Murakami	D16/225
D433,048	S	*	10/2000	Ikenaga	D16/225
D610,187	S	*	2/2010	Kim	D16/225
D680,572	S	*	4/2013	Morohoshi	D16/225
2011/0242506	A1	*	10/2011	Uchiyama	G03B 21/14 353/98

* cited by examiner

FIG. 1

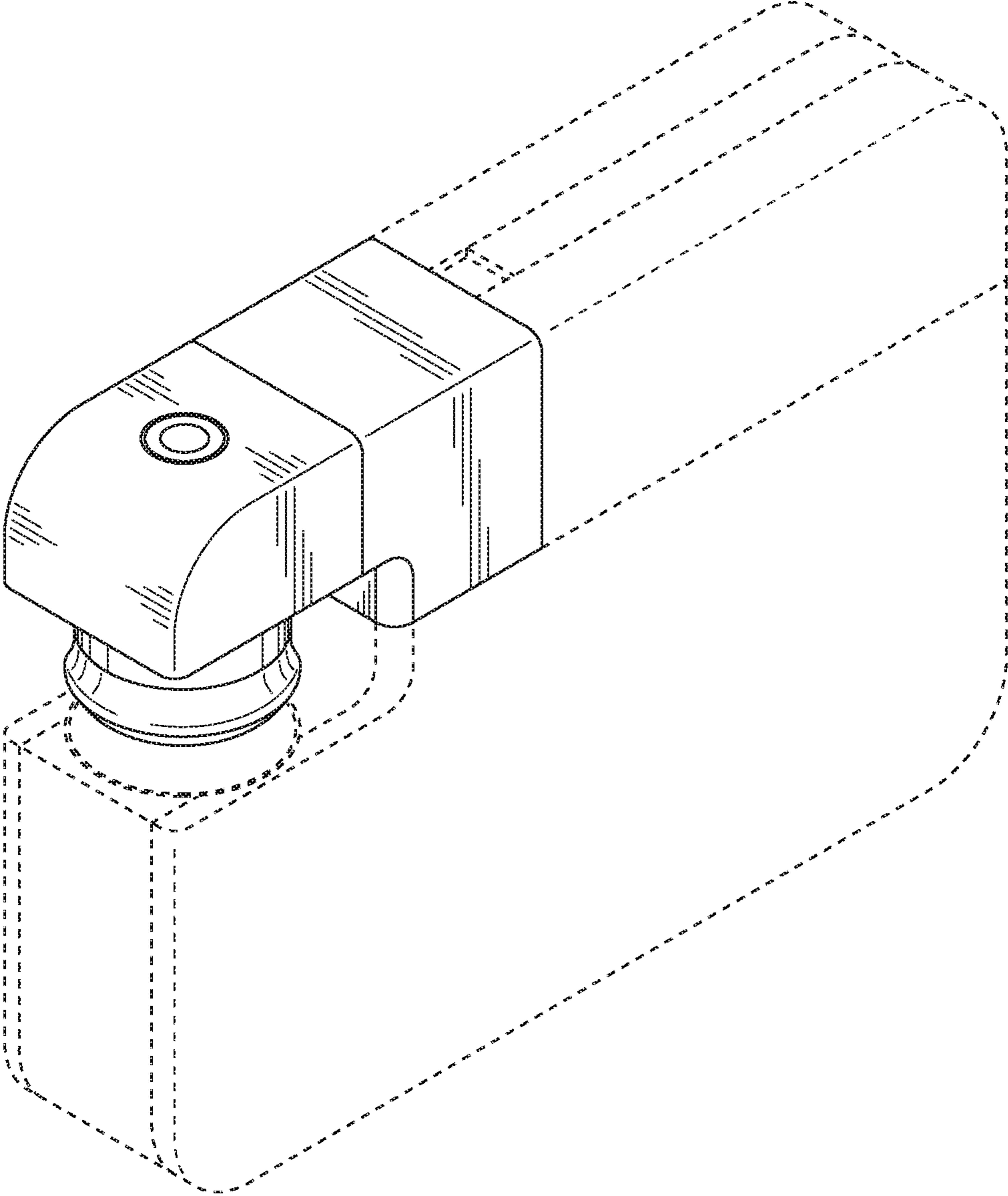


FIG. 2

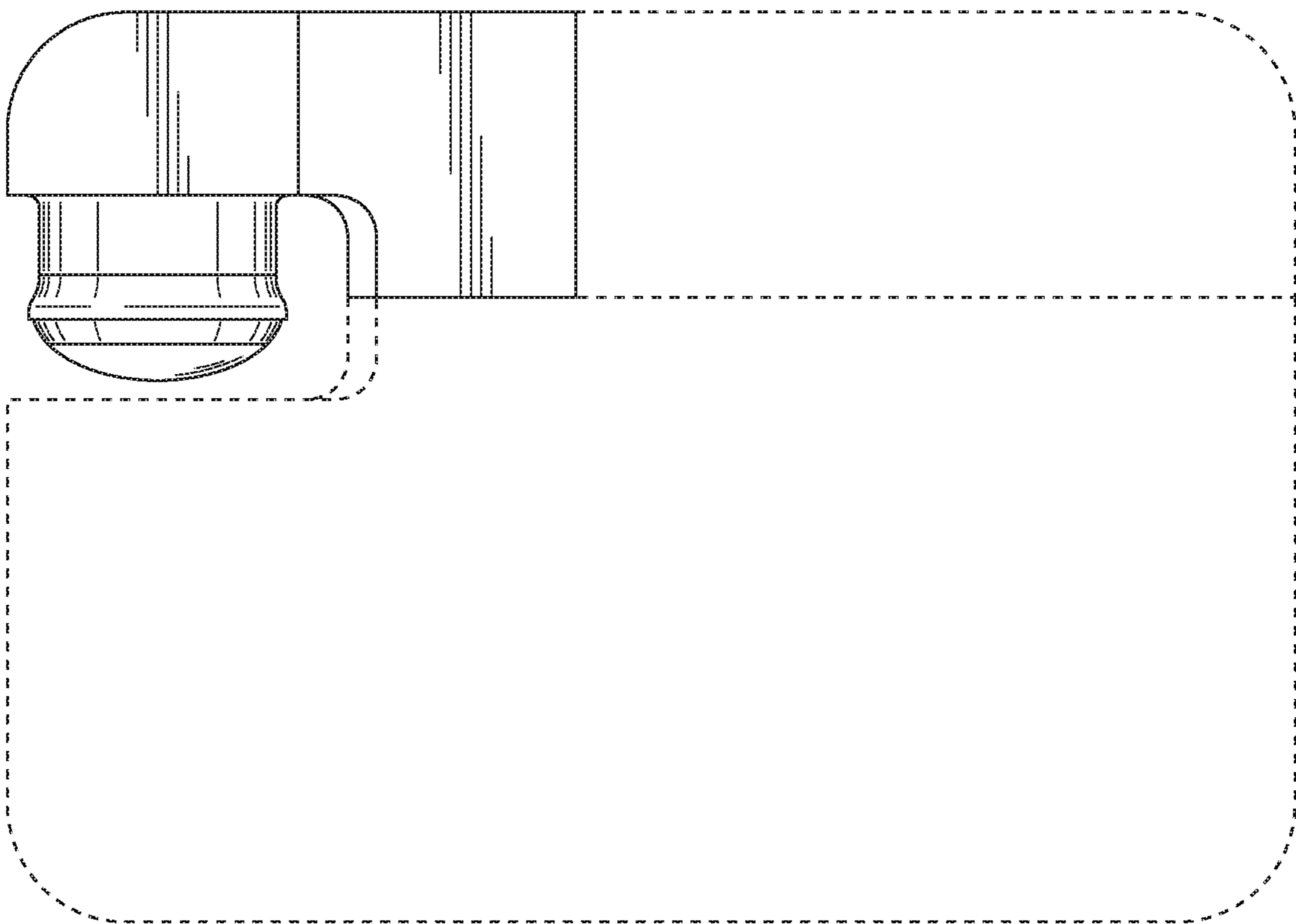


FIG. 3

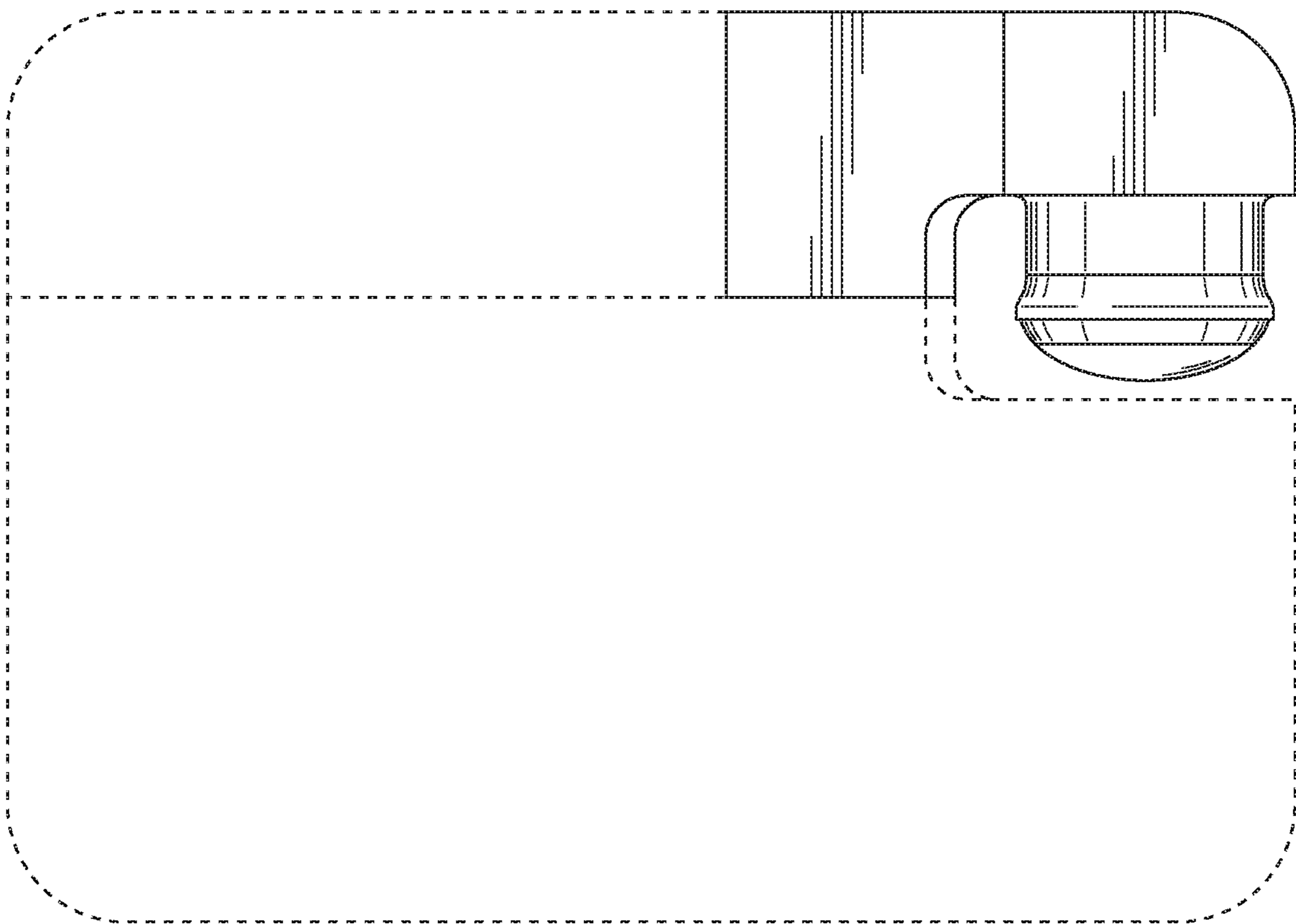


FIG. 4

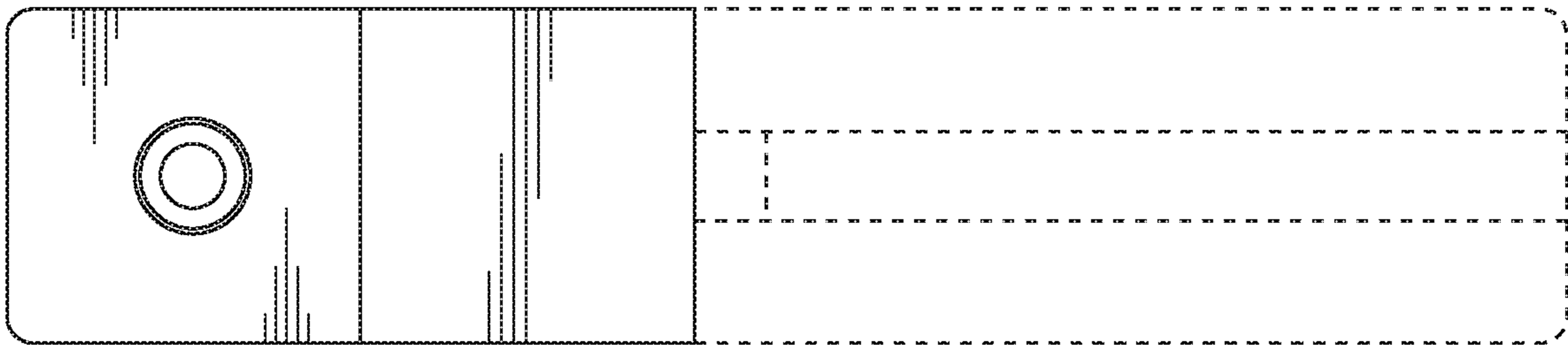


FIG. 5

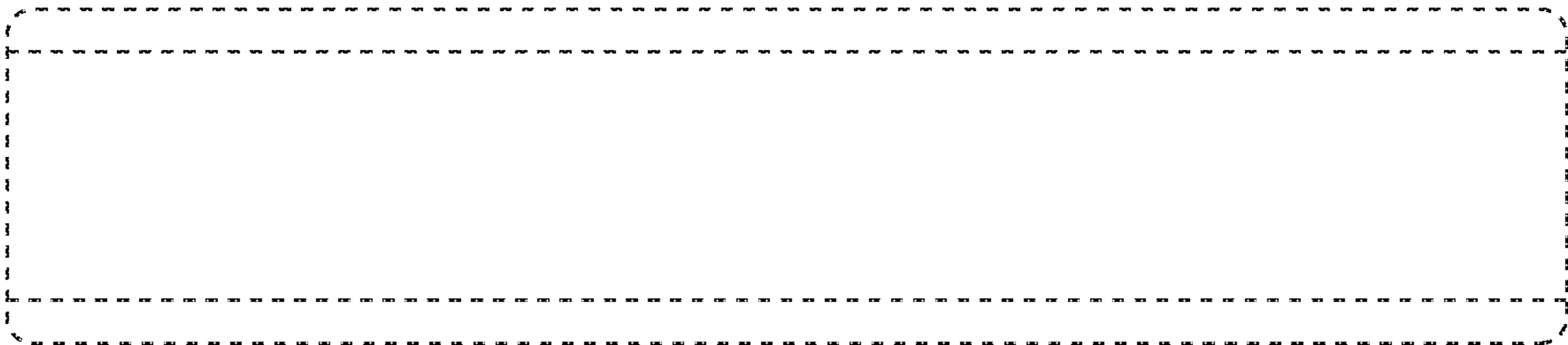


FIG. 6

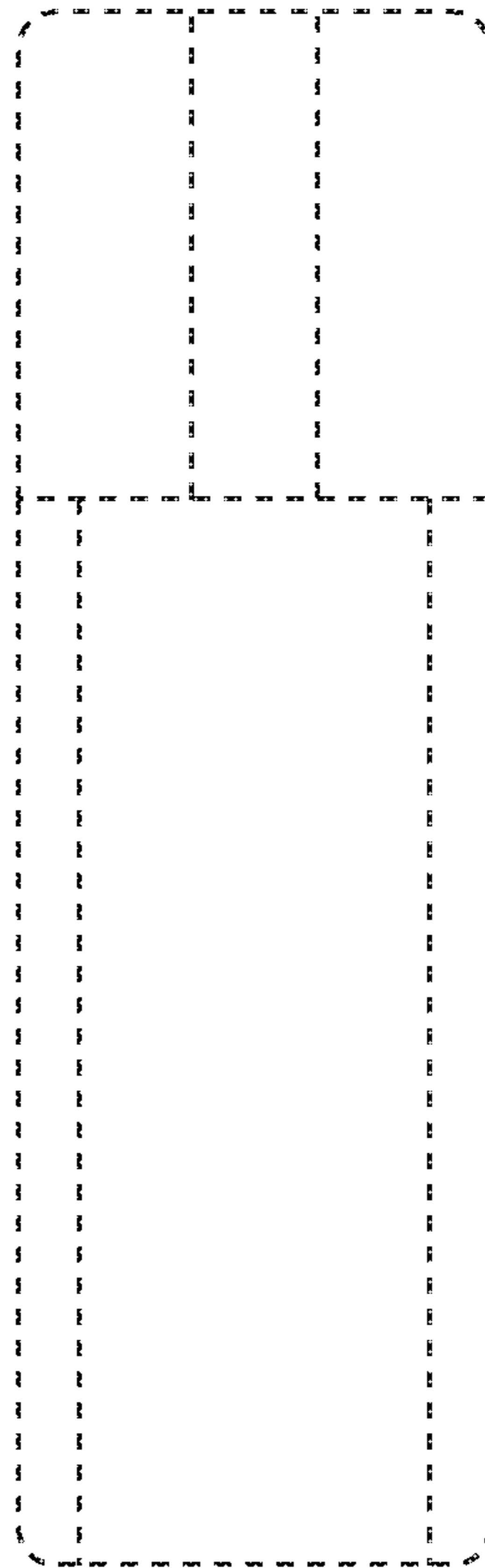


FIG. 7

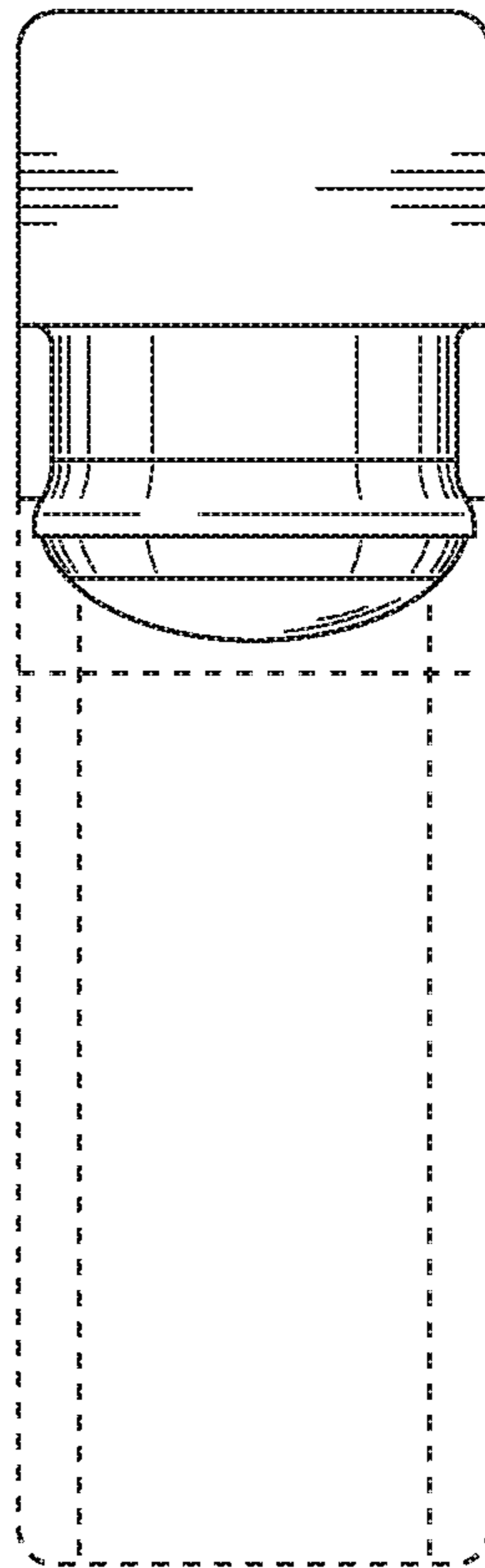


FIG. 8

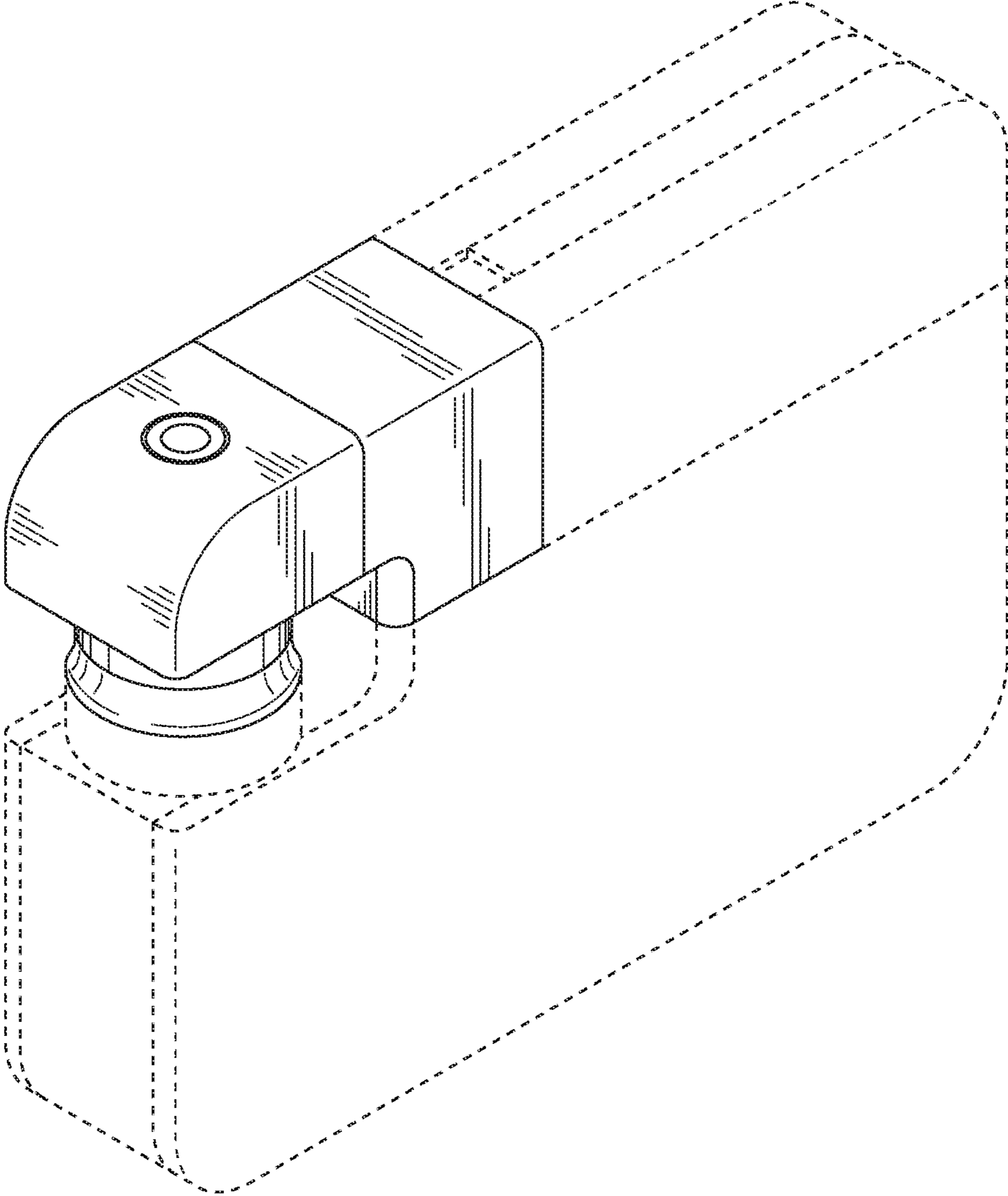


FIG. 9

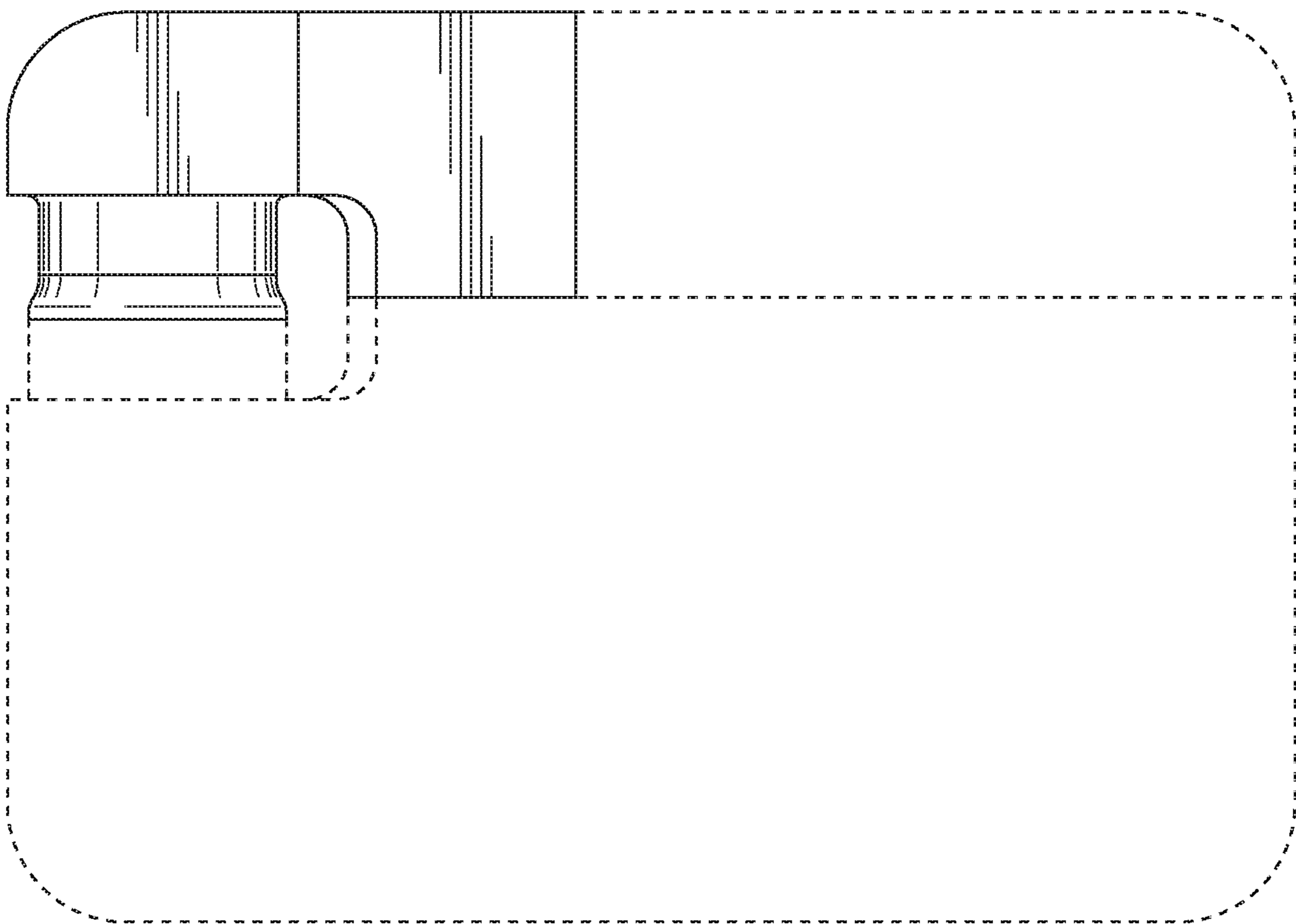


FIG. 10

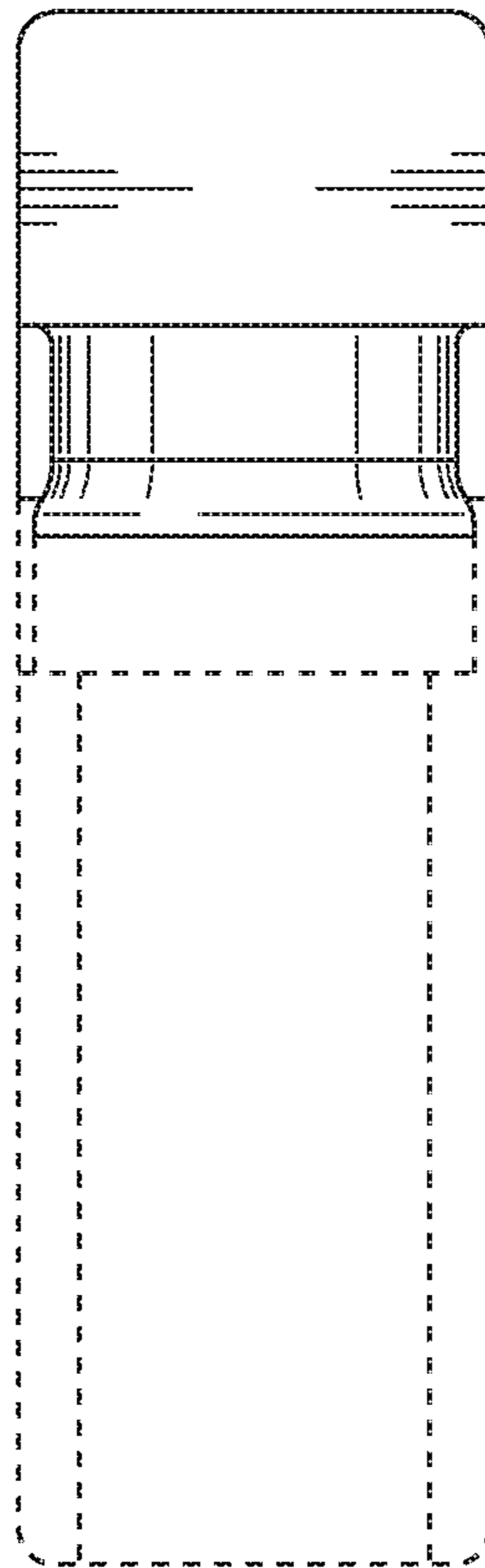


FIG. 11

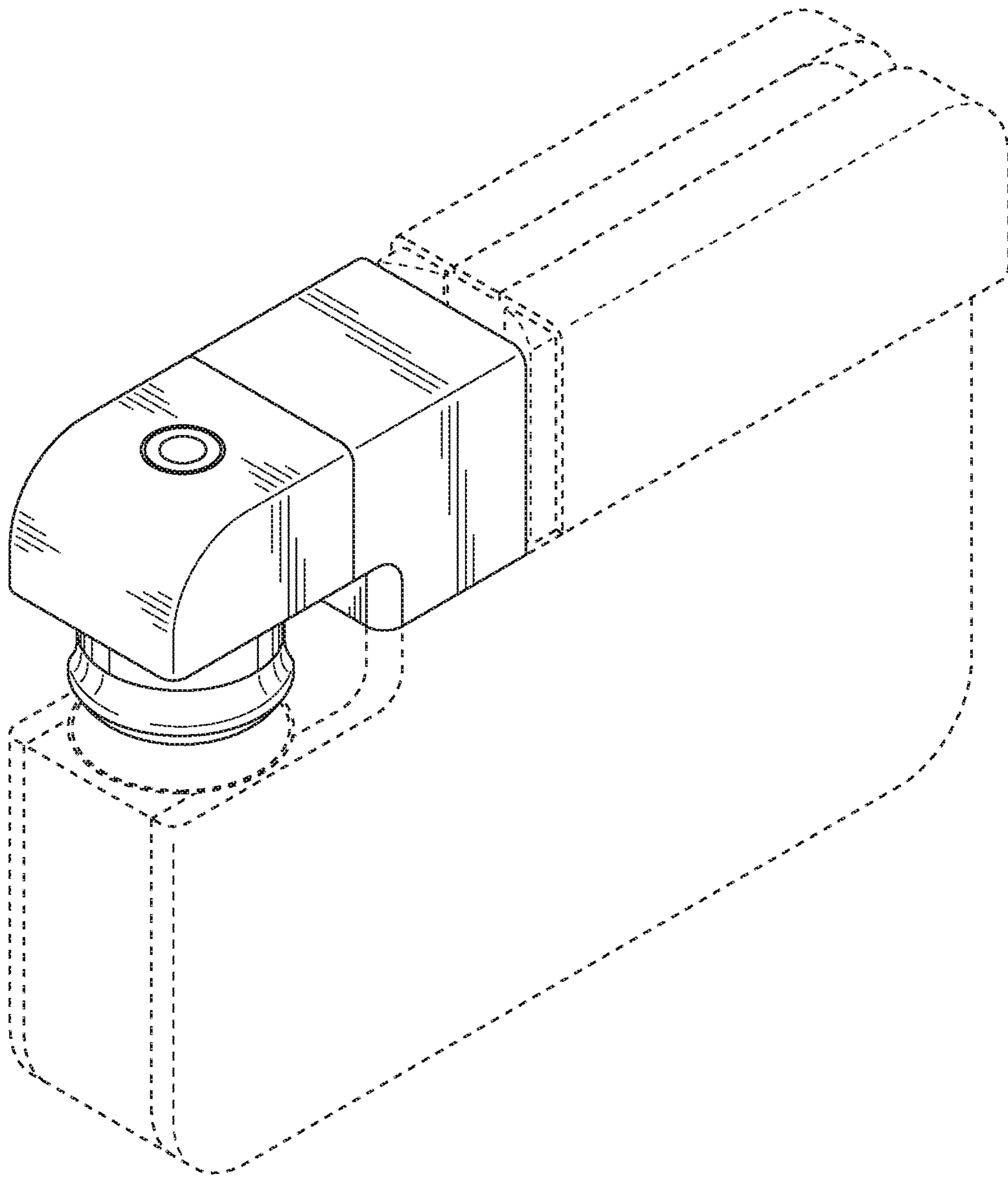


FIG. 12

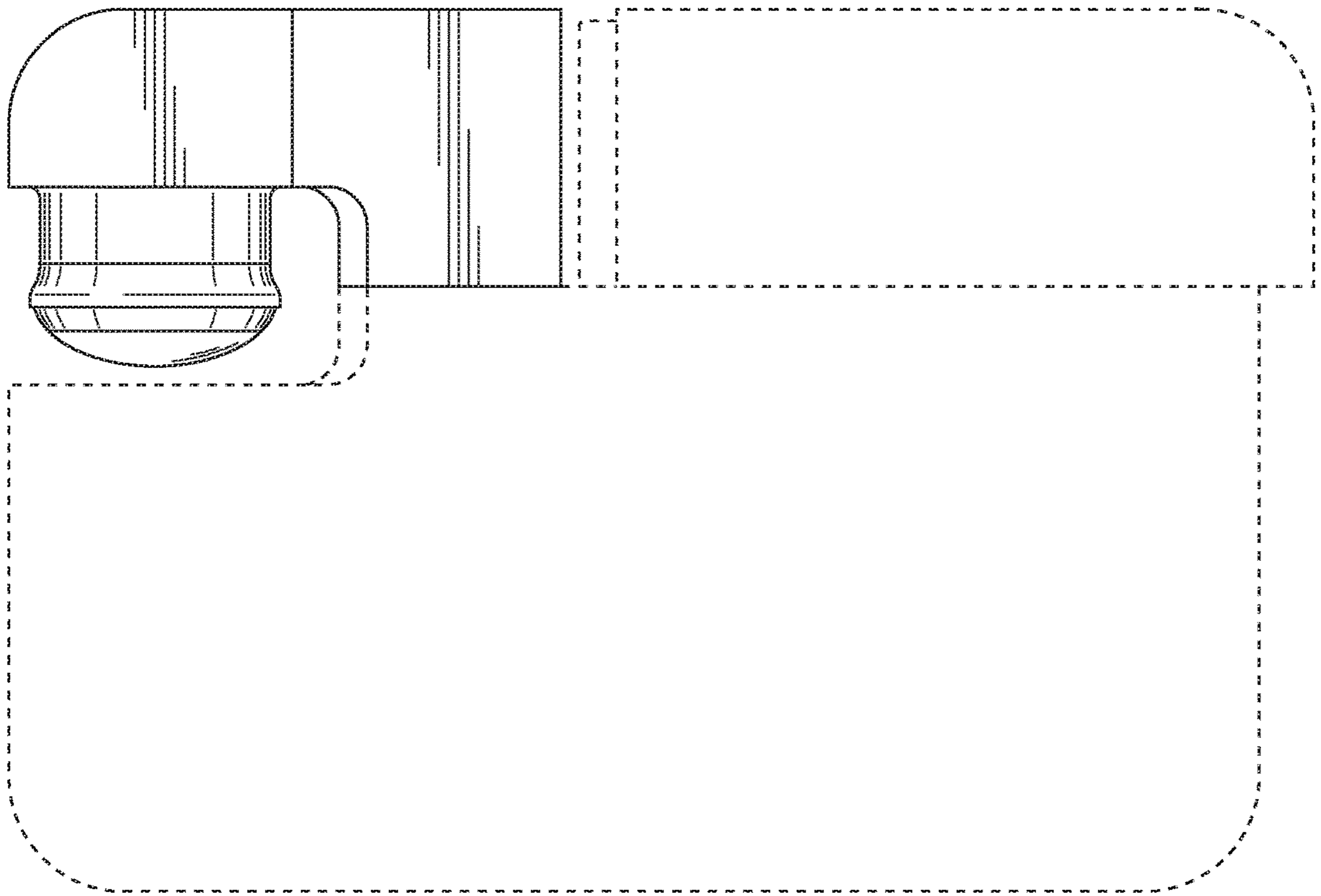


FIG. 13

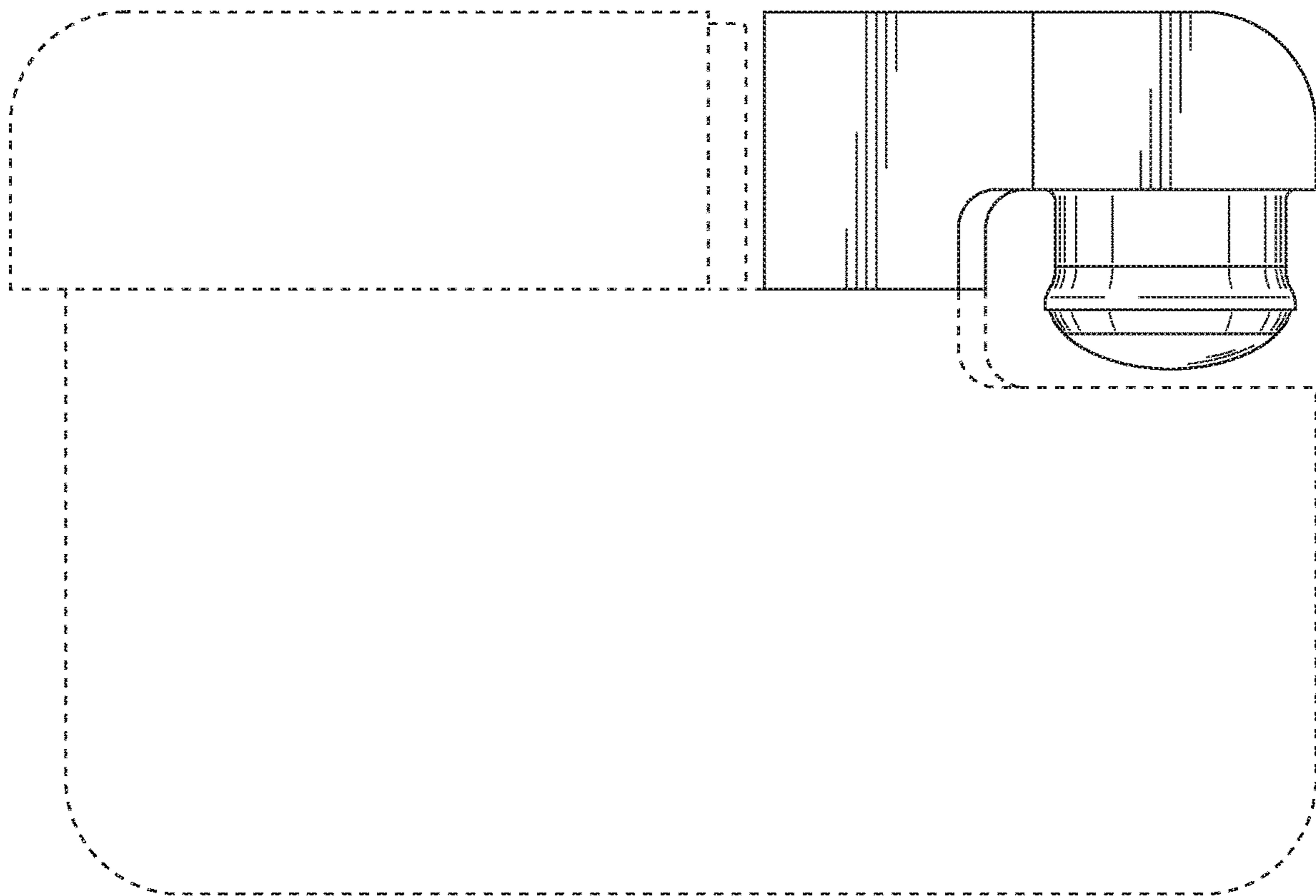


FIG. 14

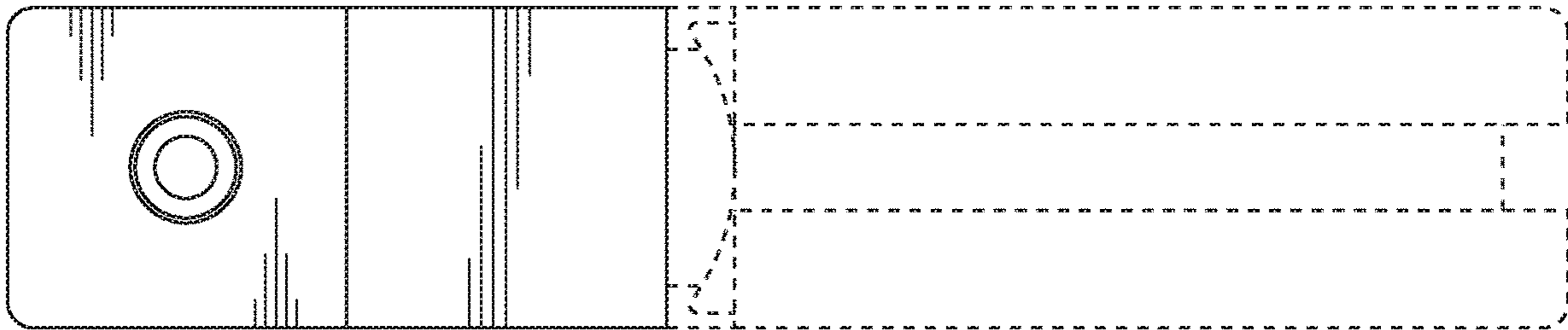


FIG. 15



FIG. 16

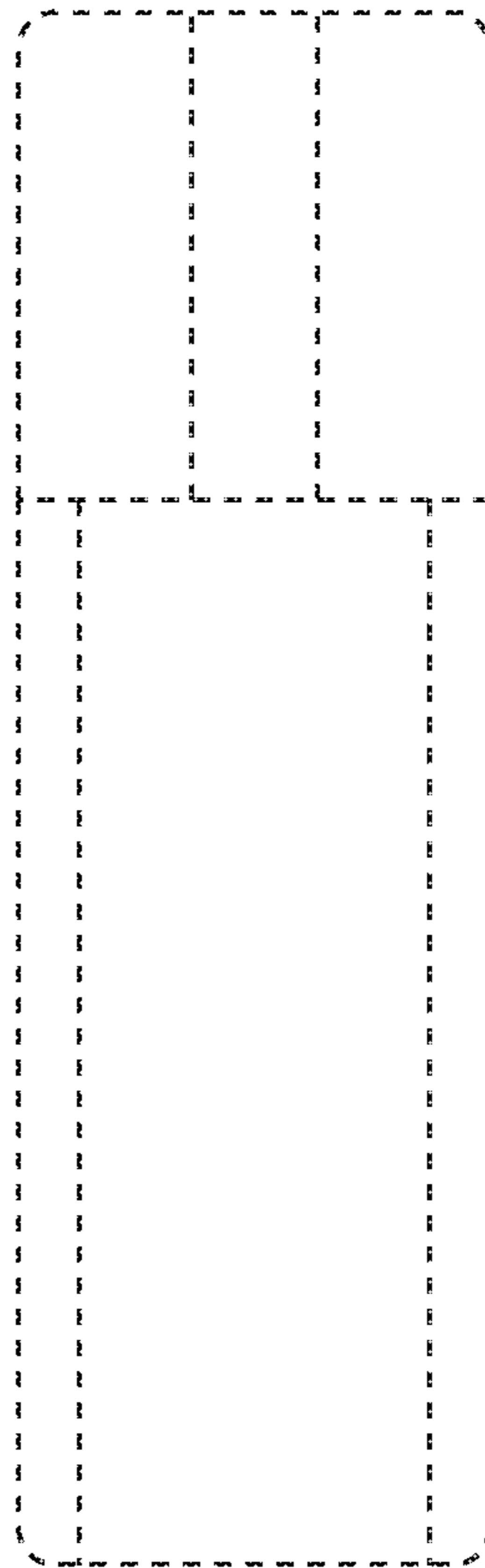


FIG. 17

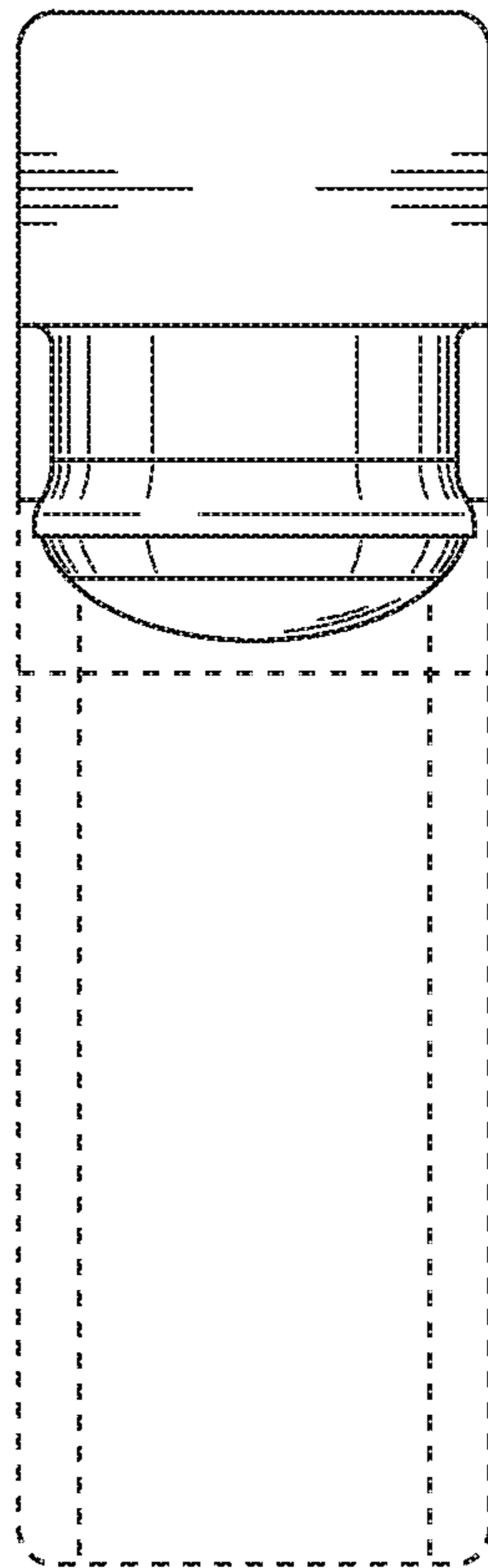


FIG. 18

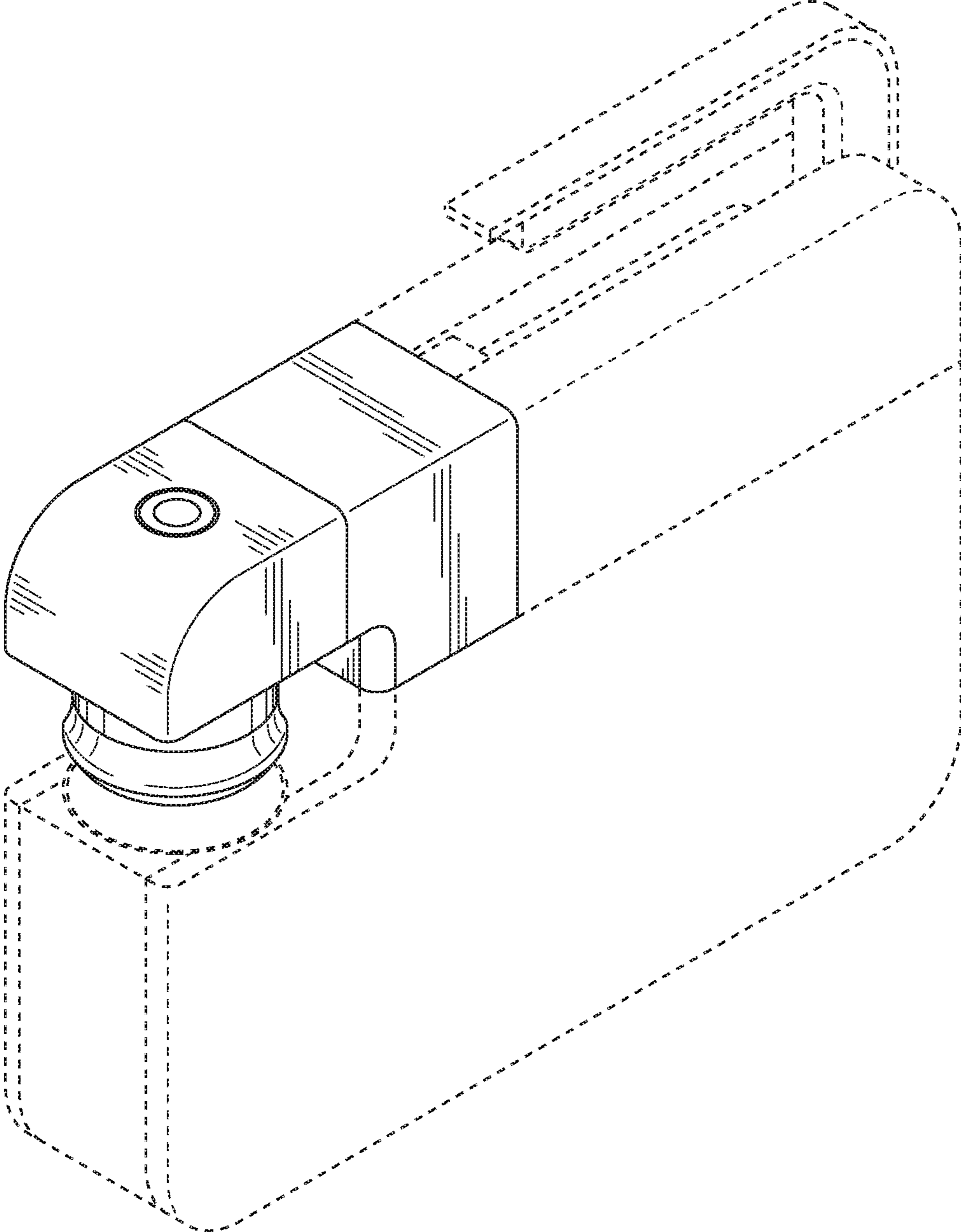


FIG. 19

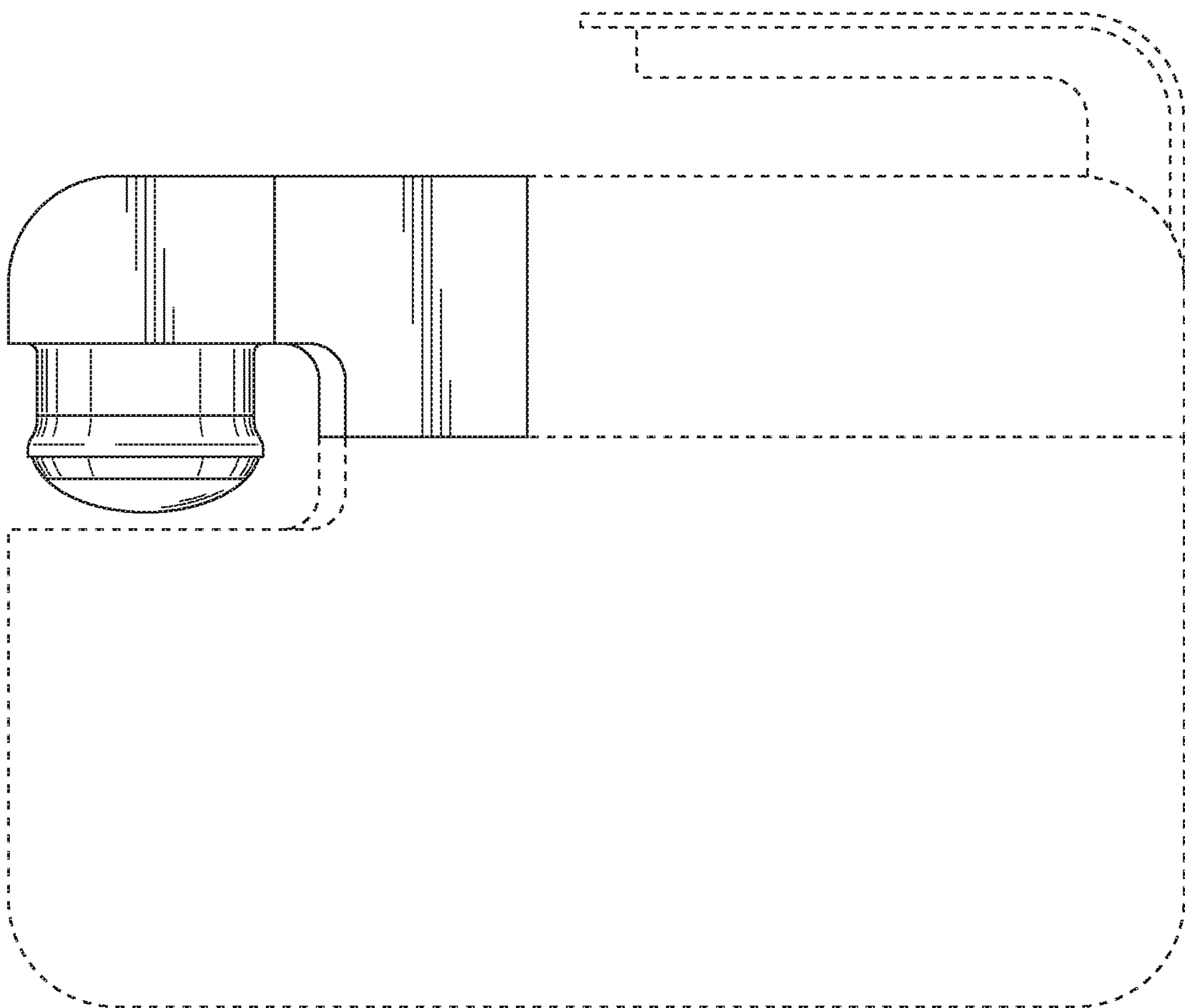


FIG. 20

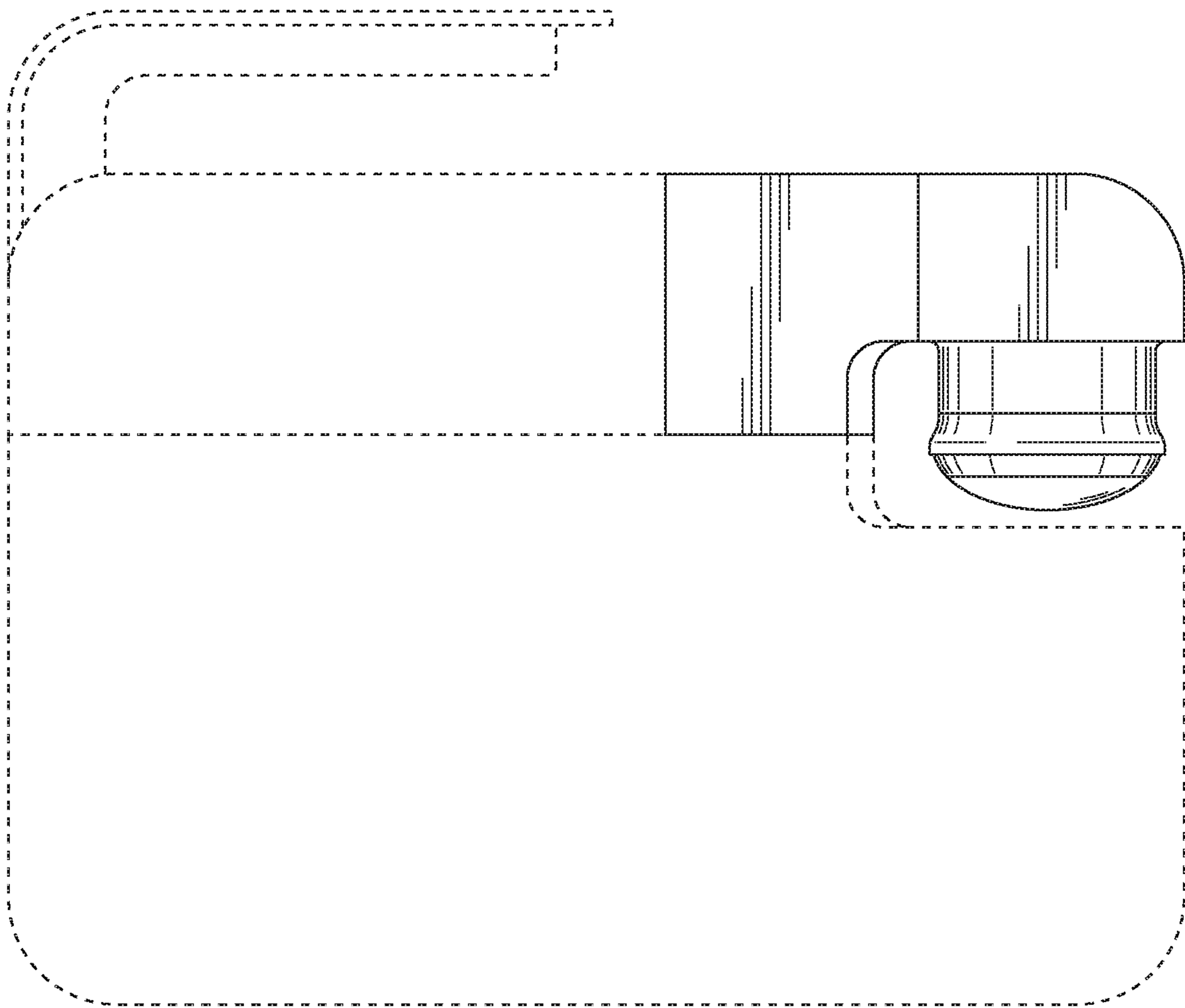


FIG. 21

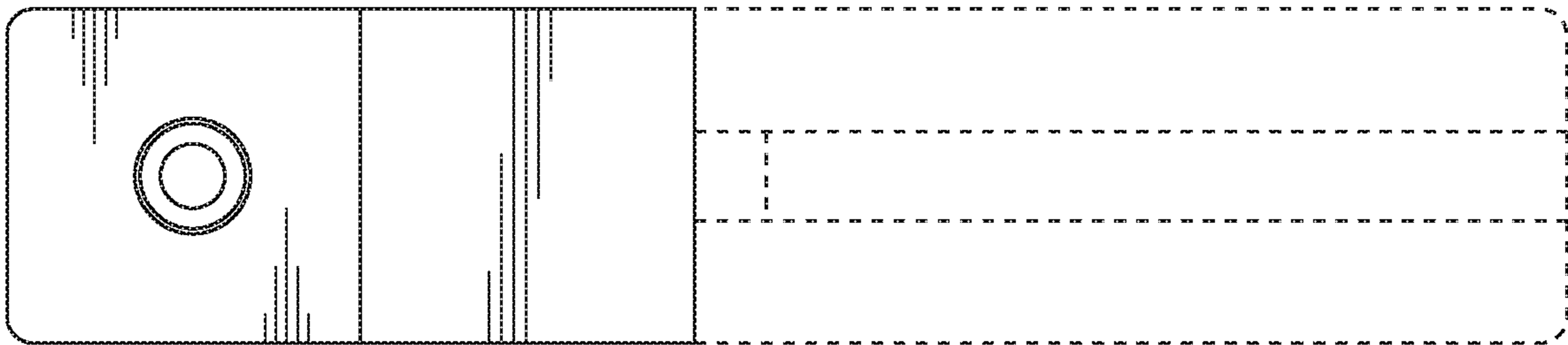


FIG. 22

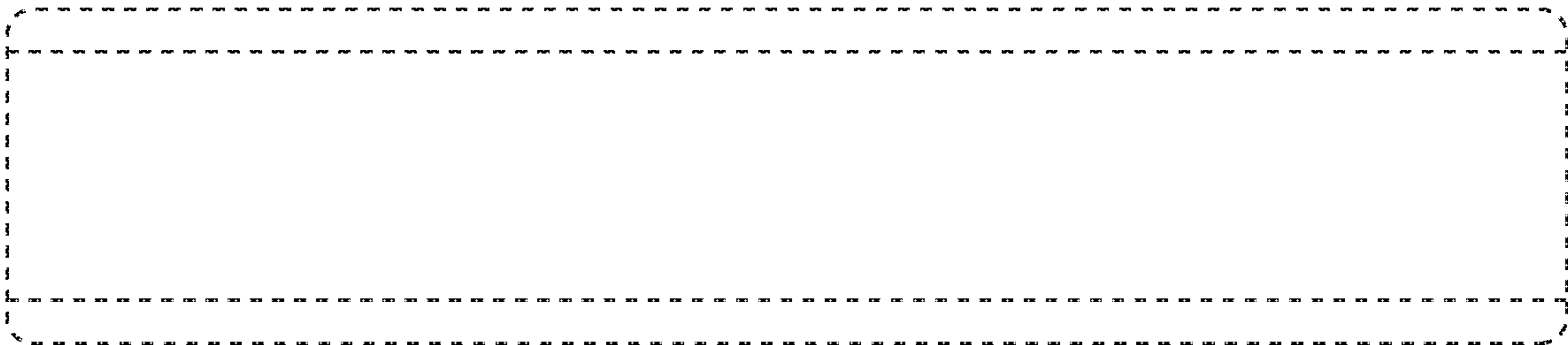


FIG. 23

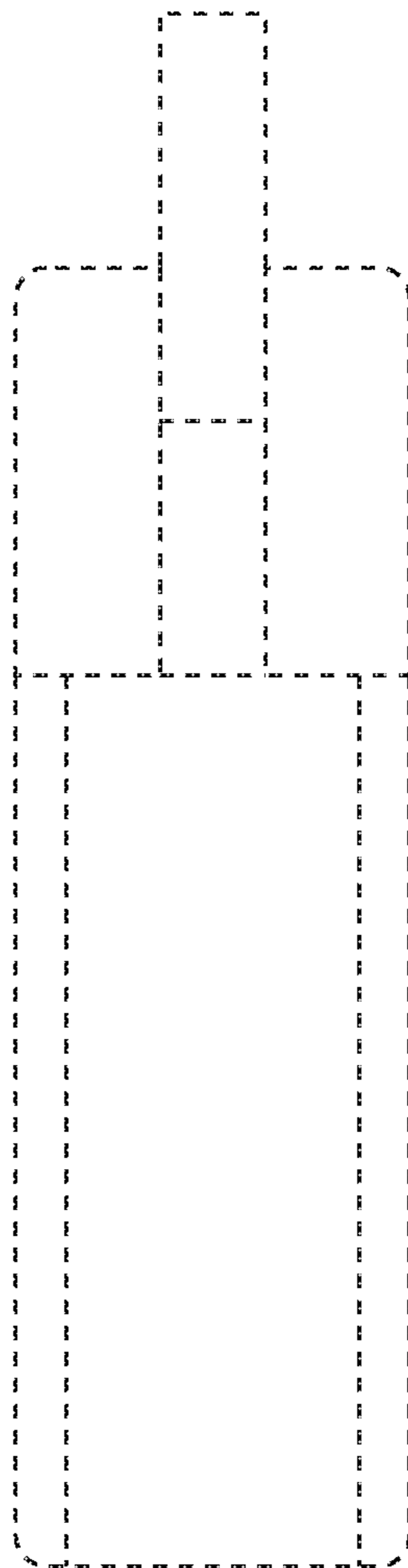


FIG. 24

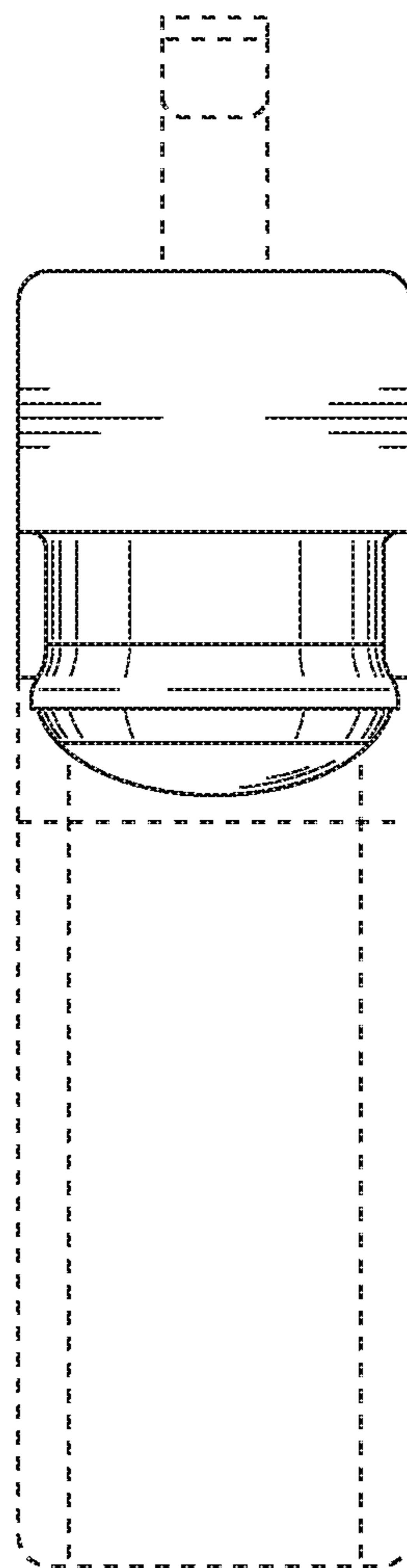


FIG. 25

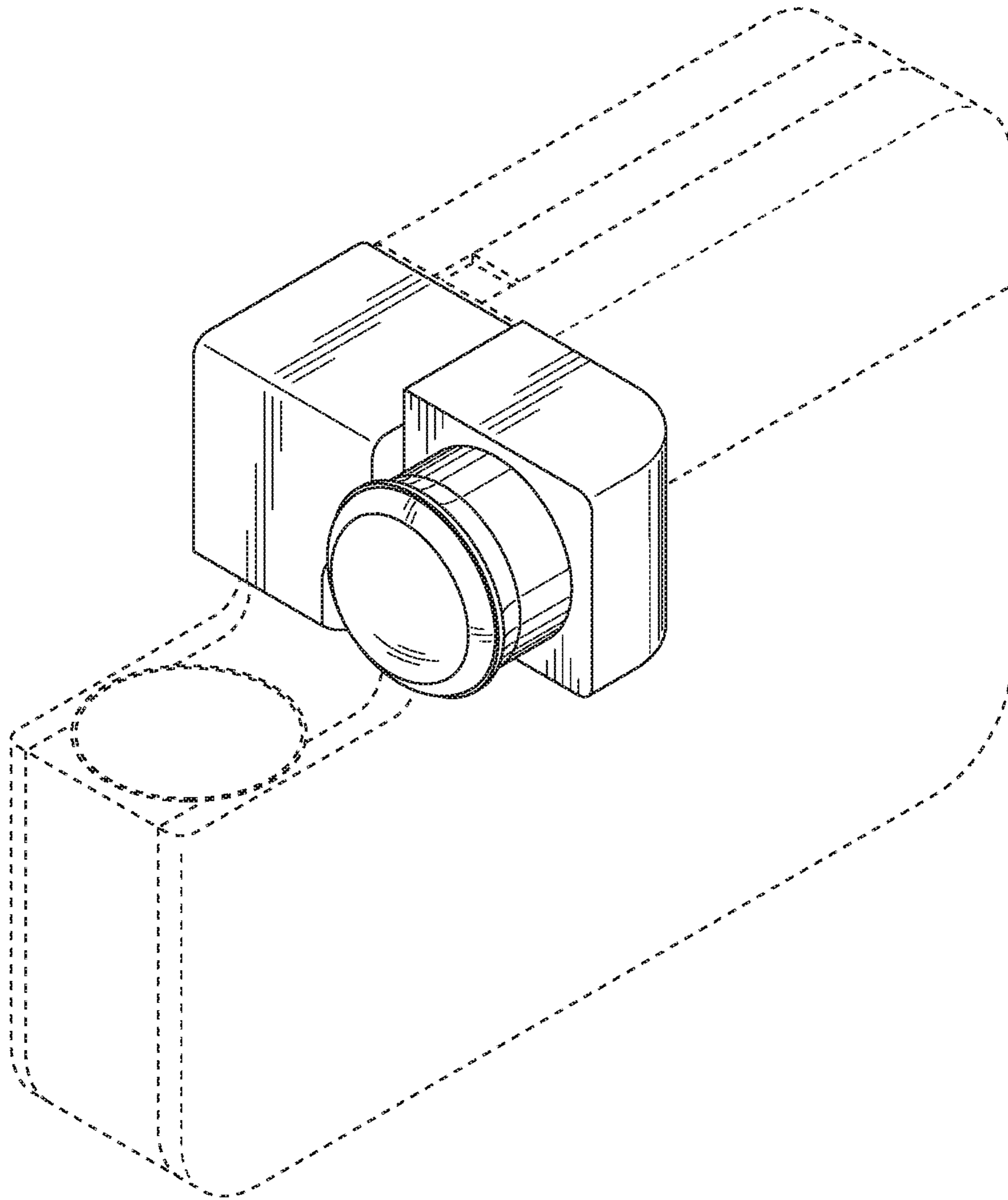


FIG. 26

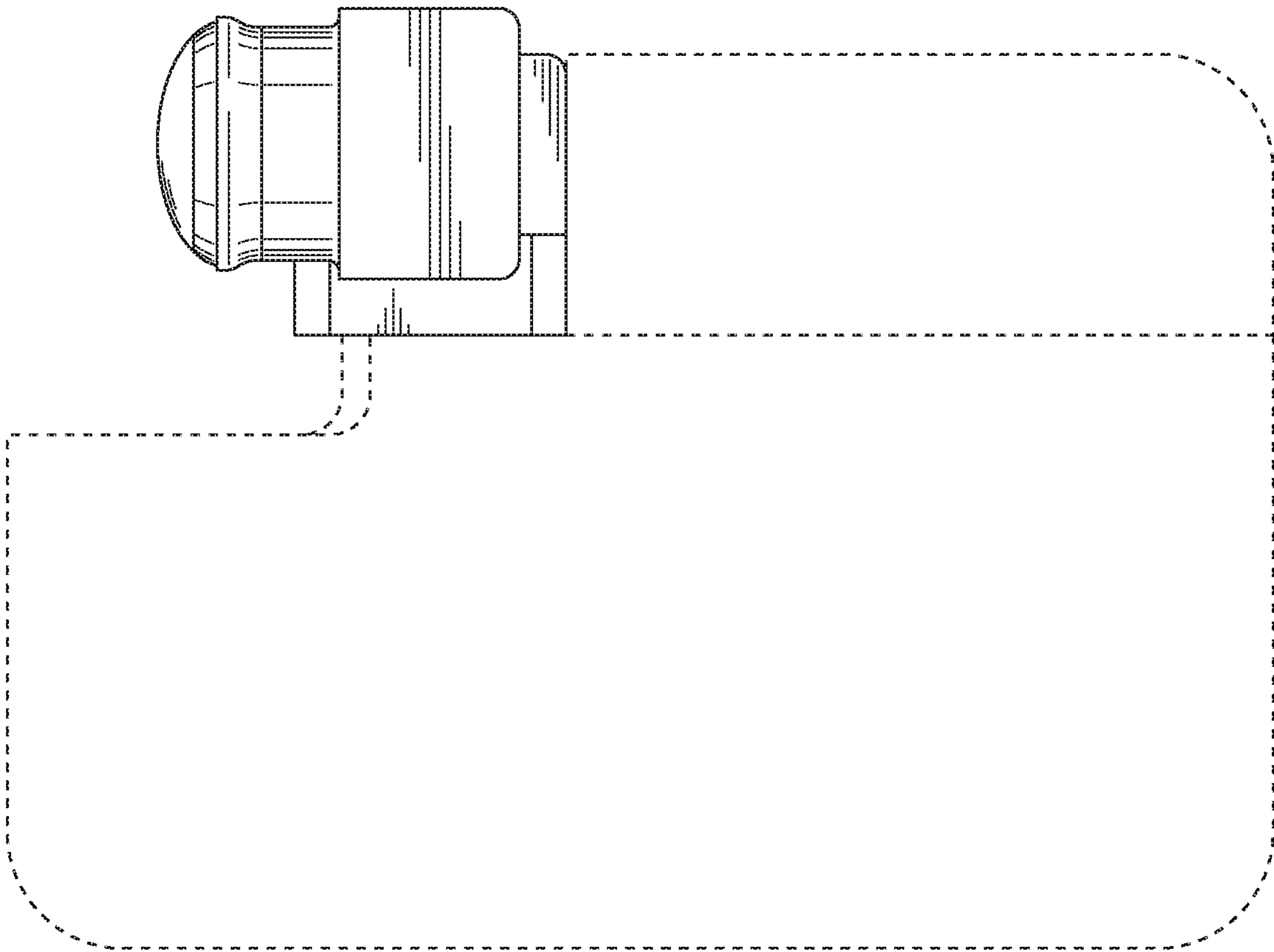


FIG. 27

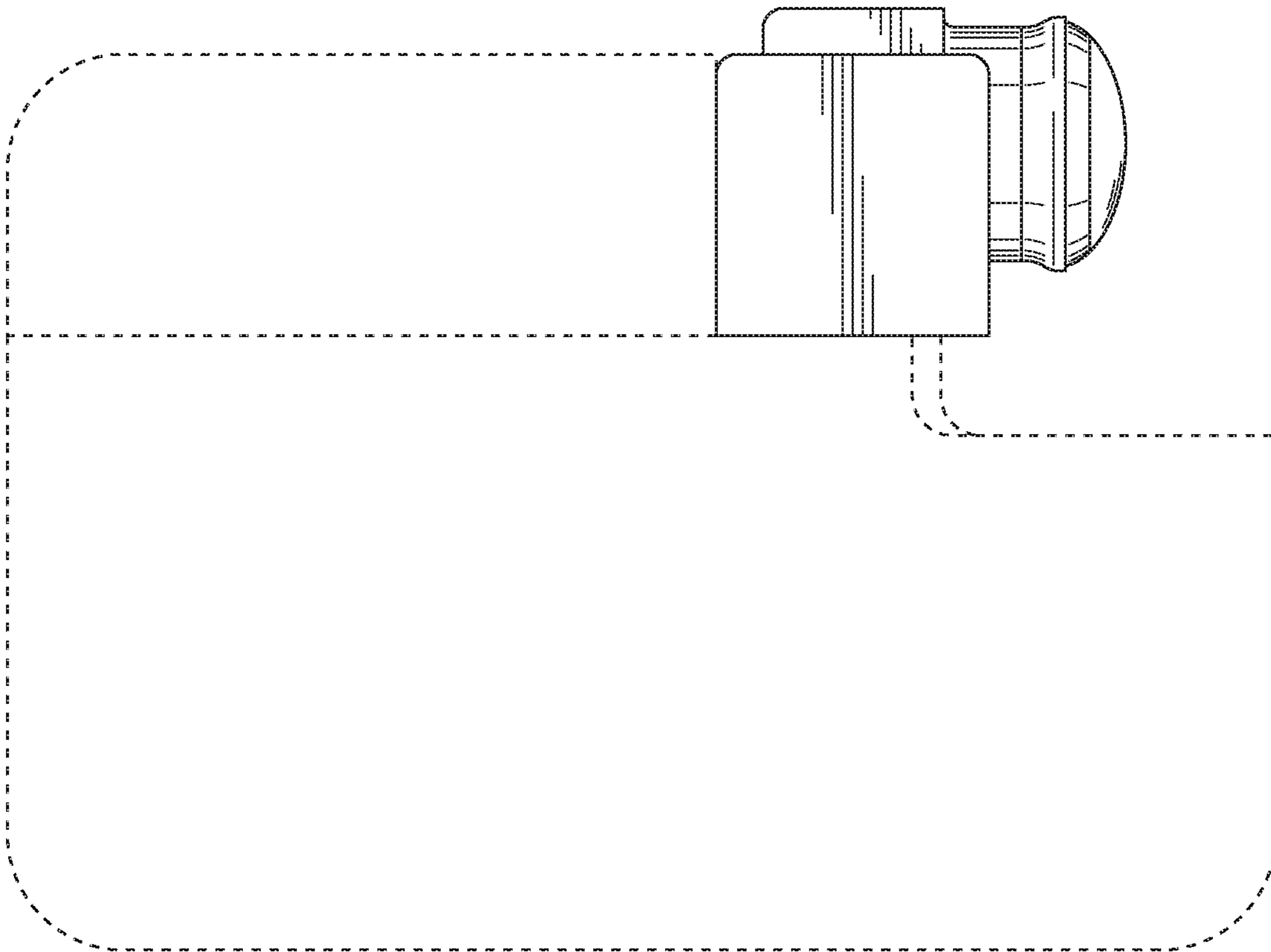


FIG. 28

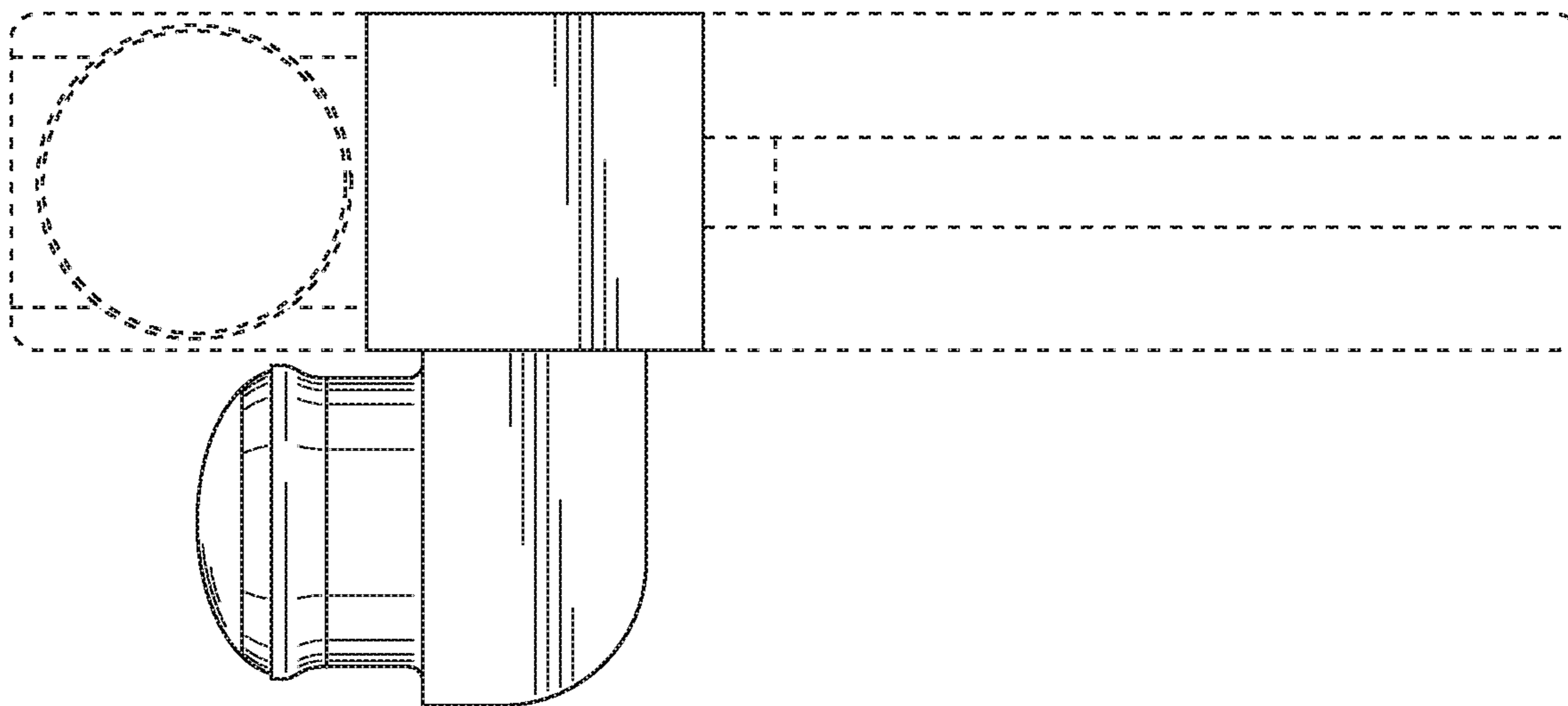


FIG. 29

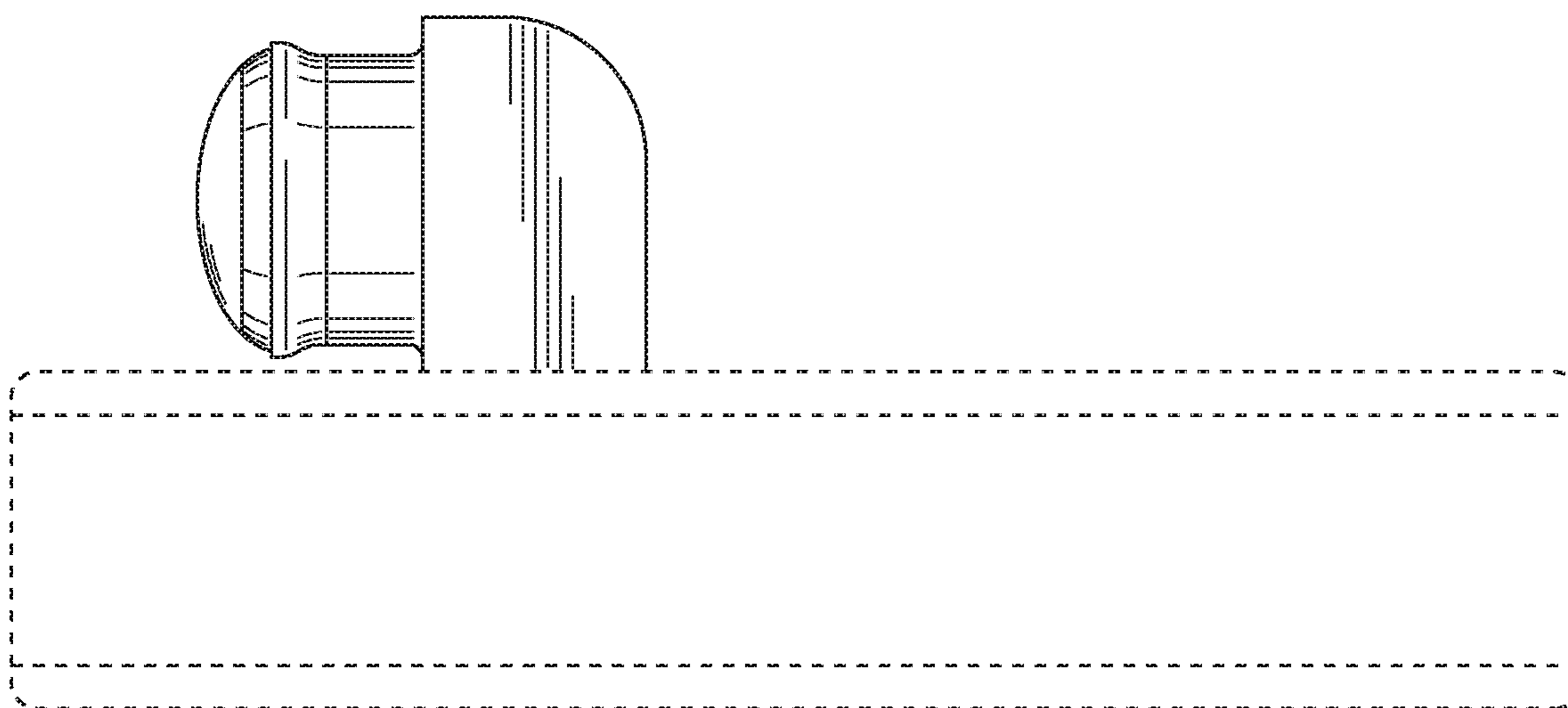


FIG. 30

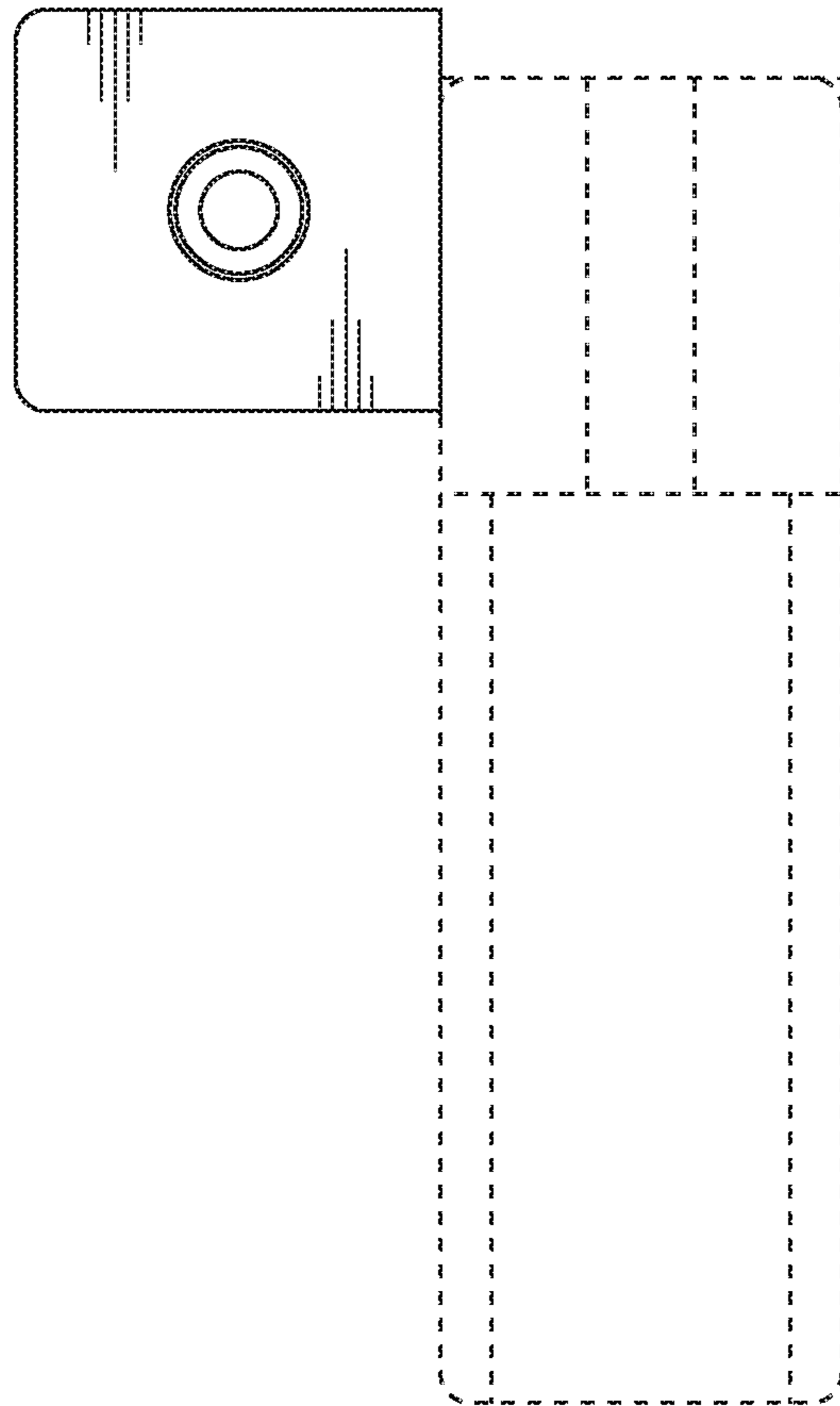


FIG. 31

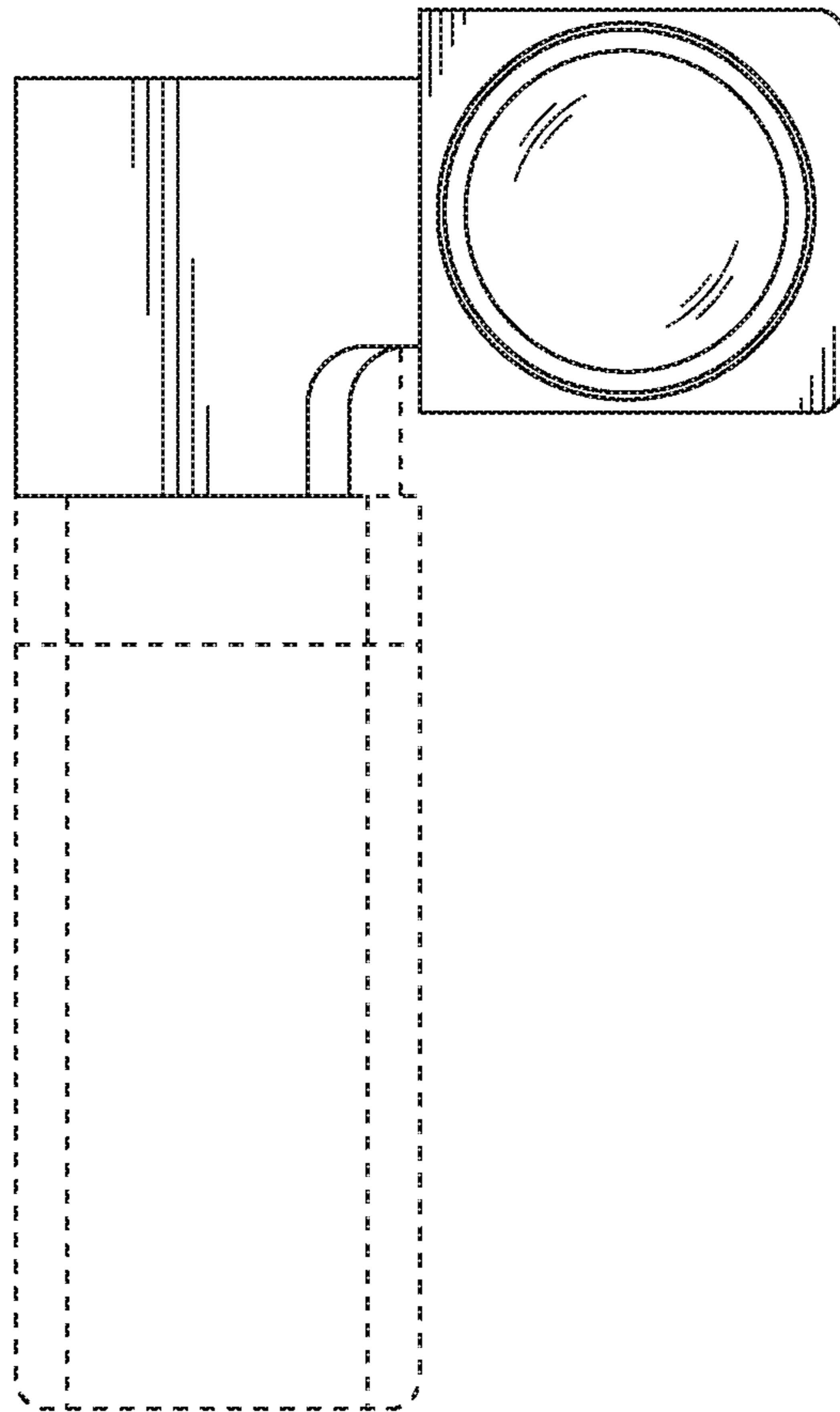


FIG. 32

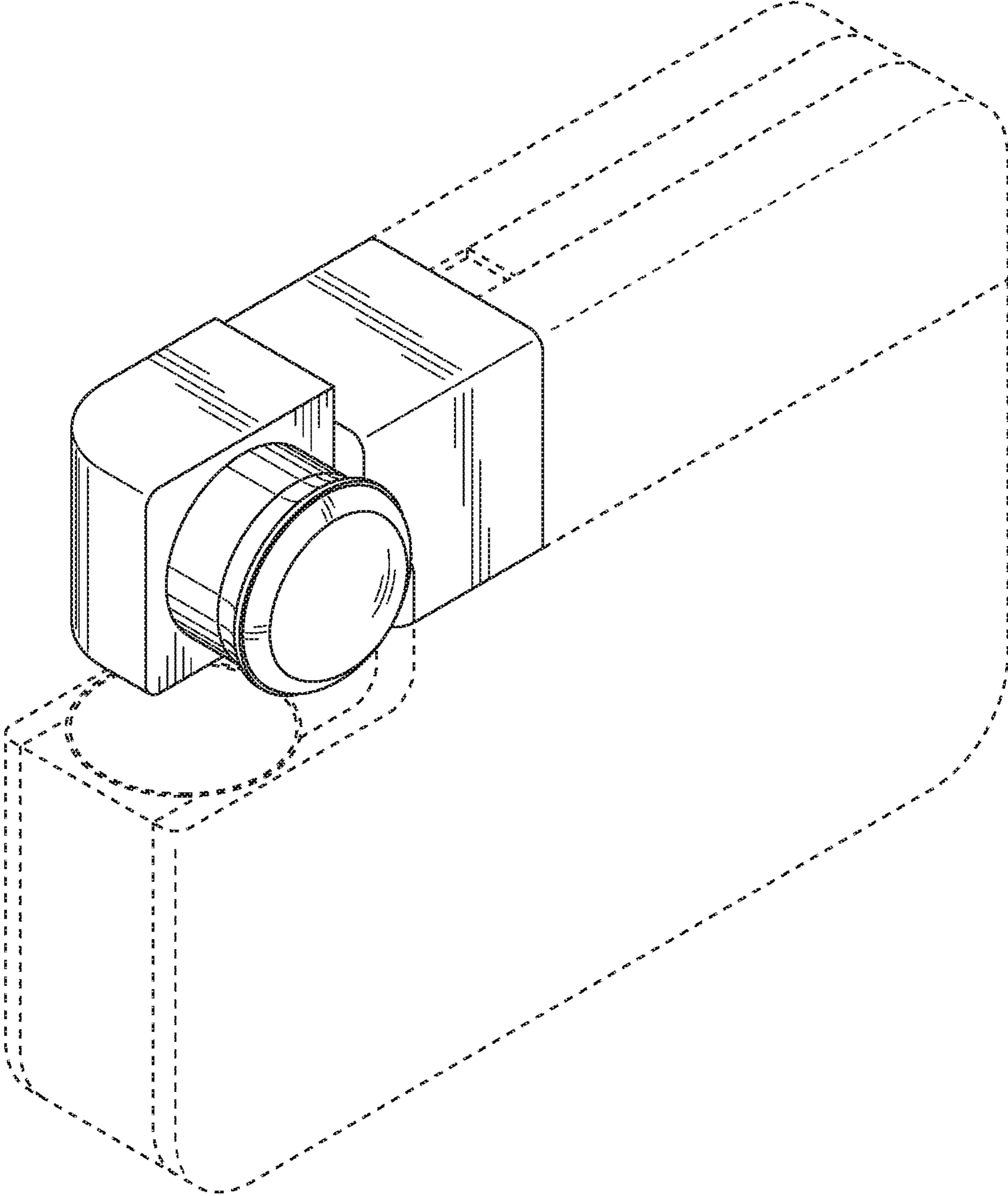


FIG. 33

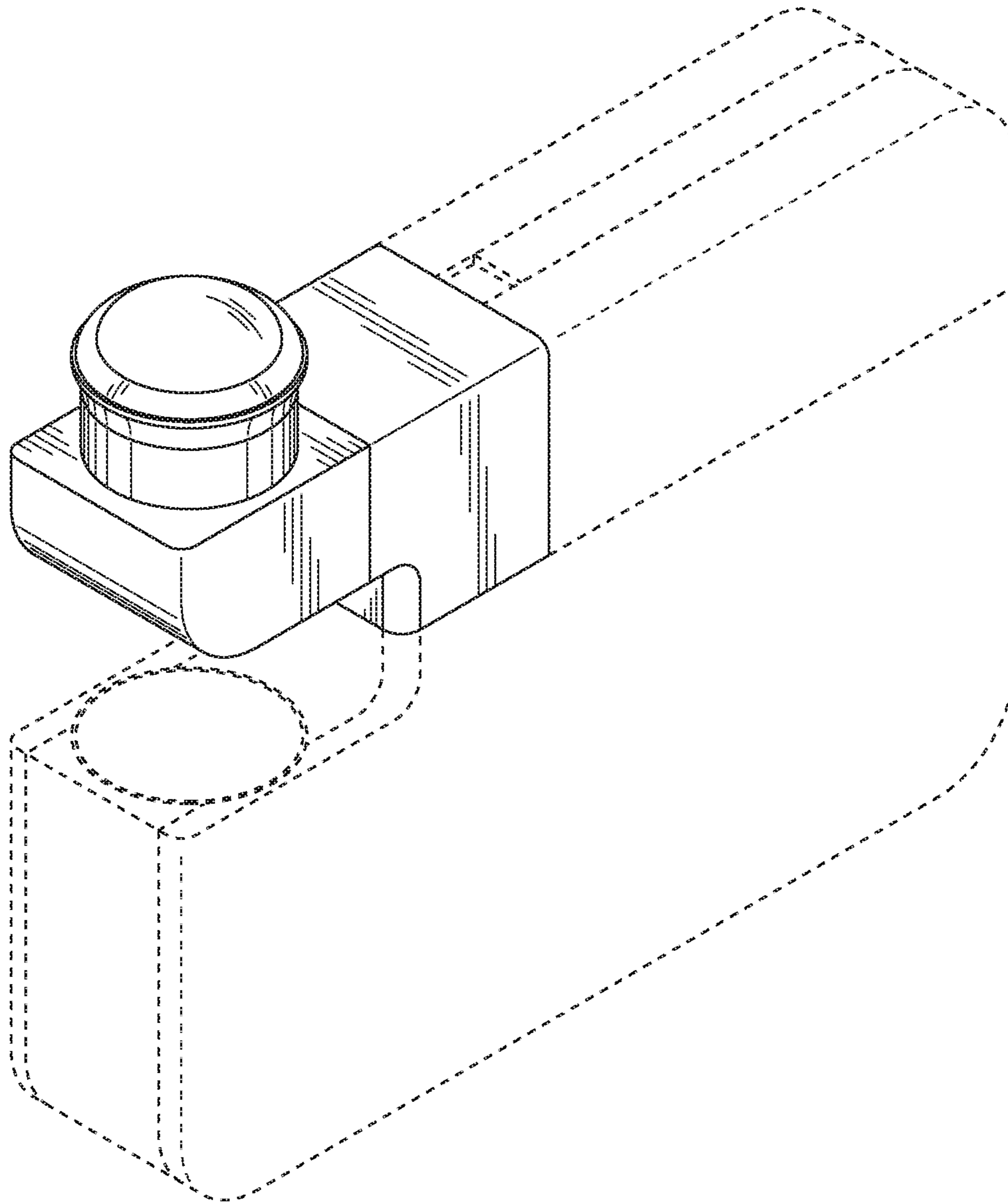


FIG. 34

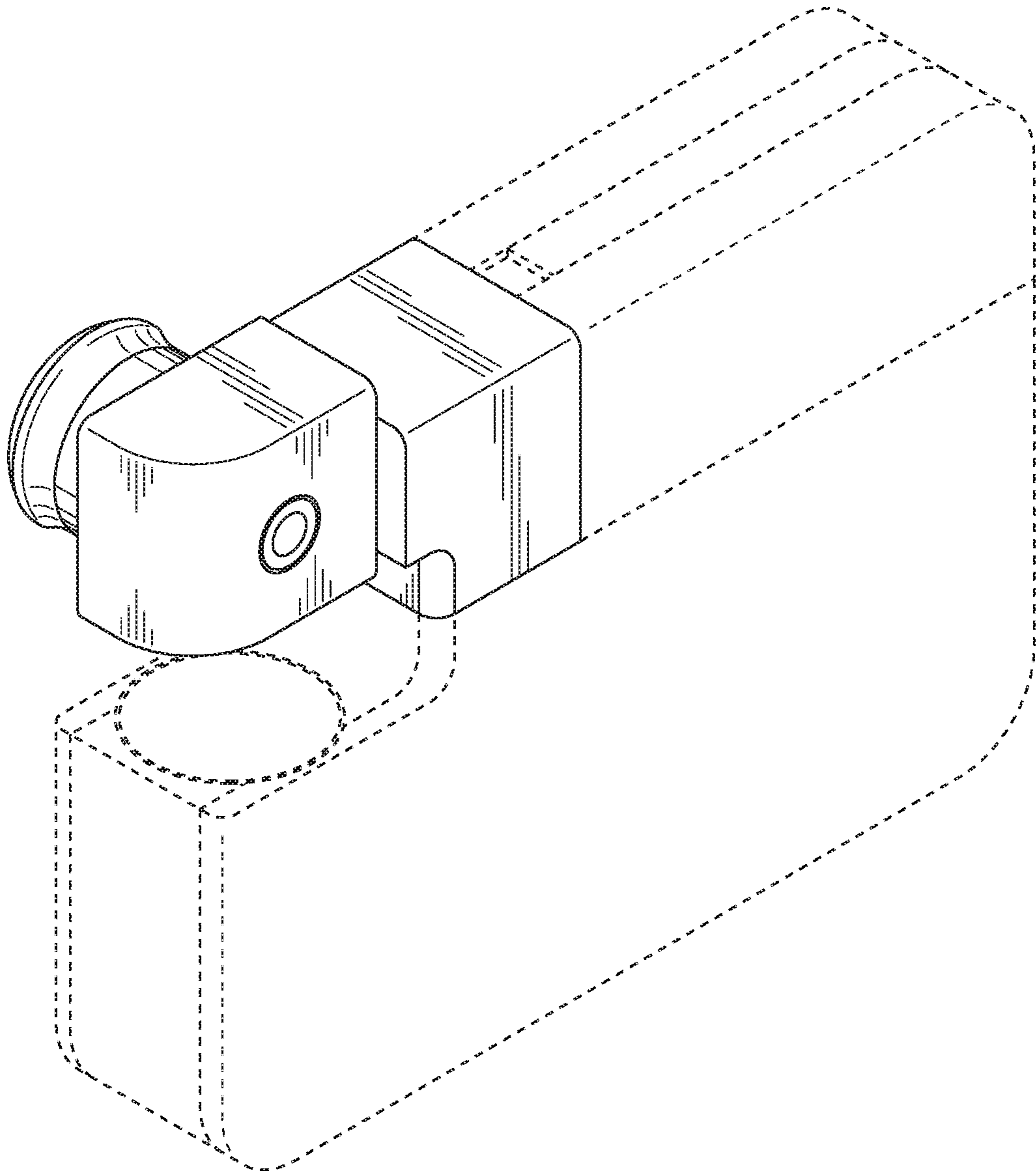


FIG. 35

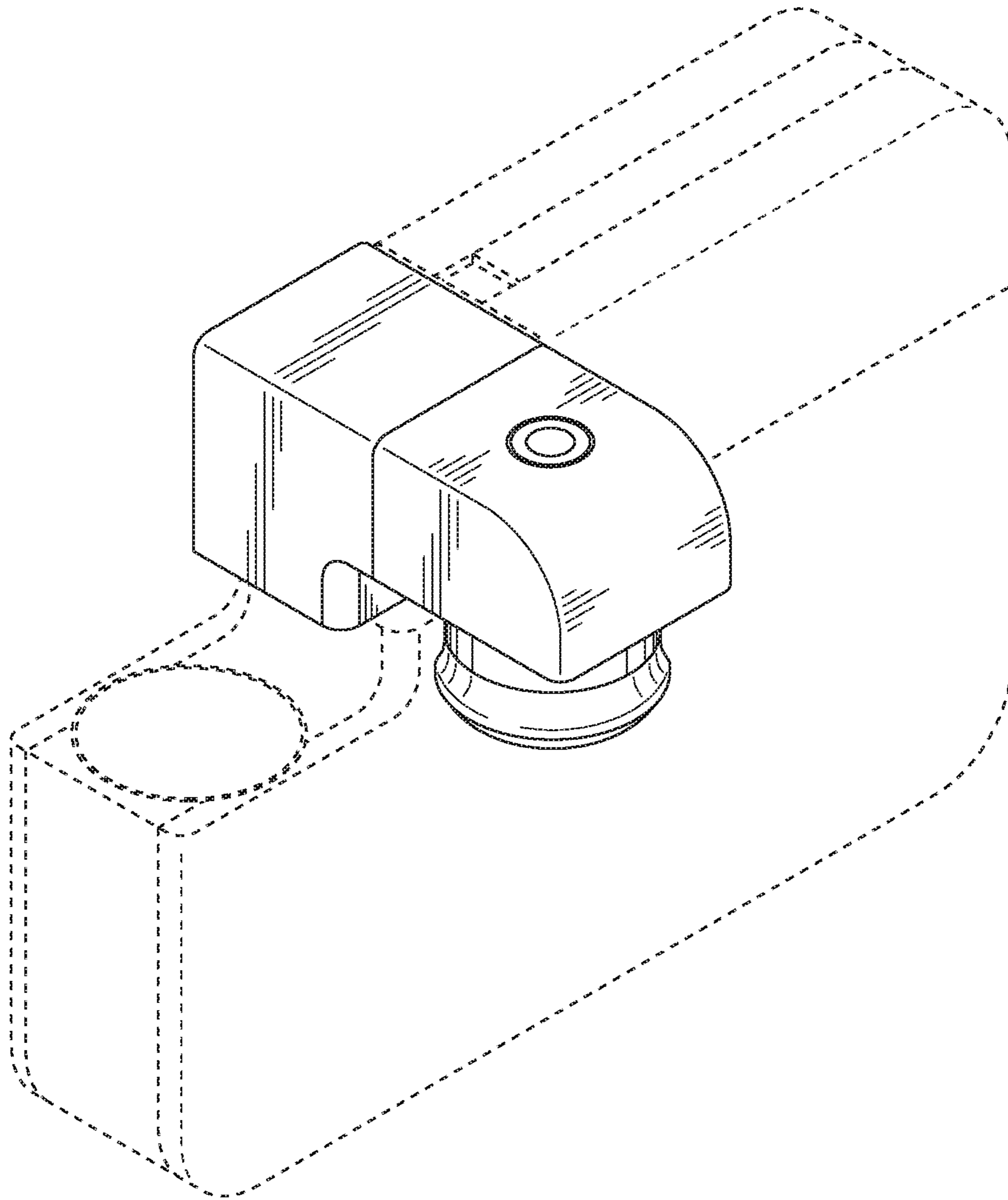


FIG. 36

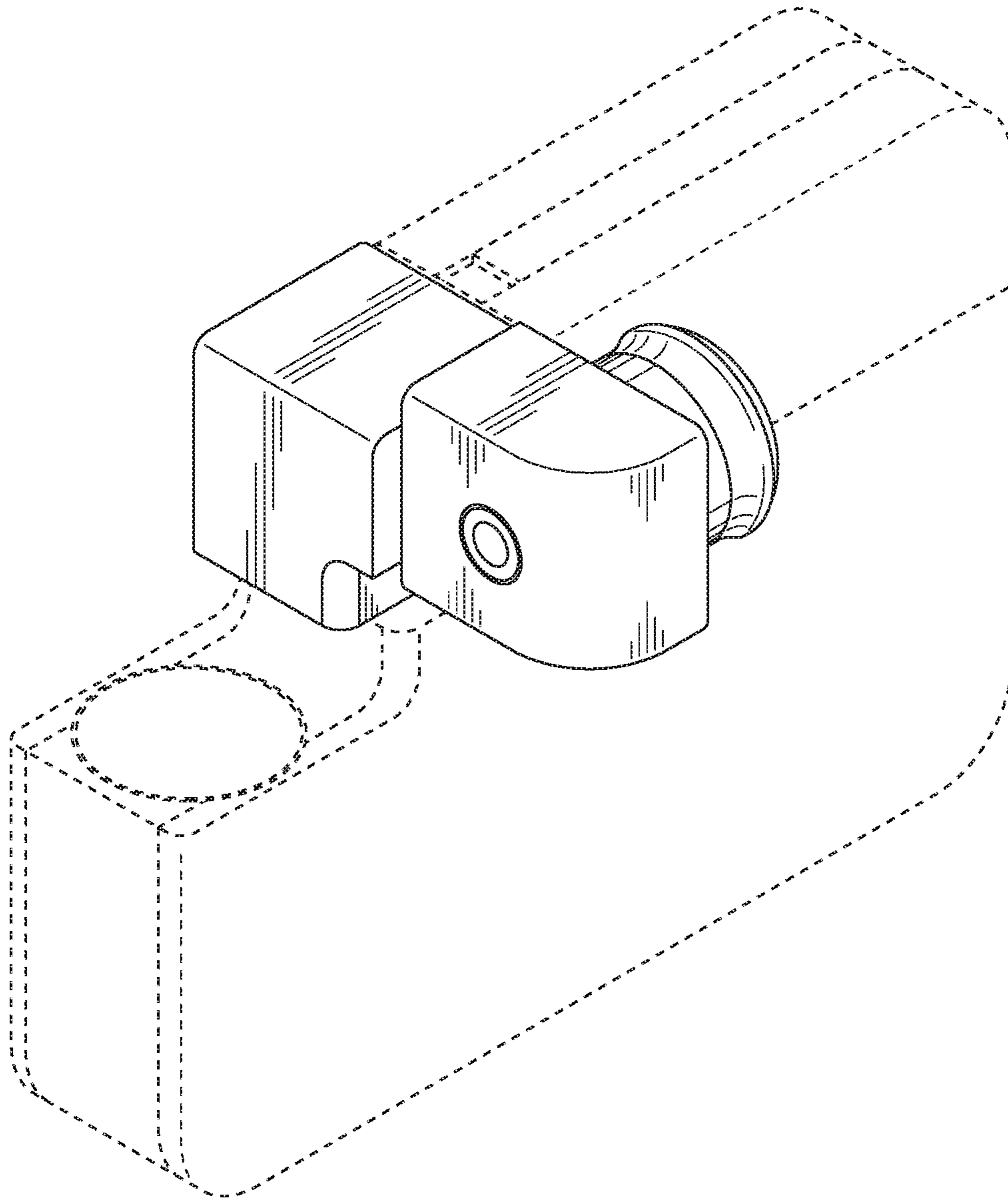


FIG. 37

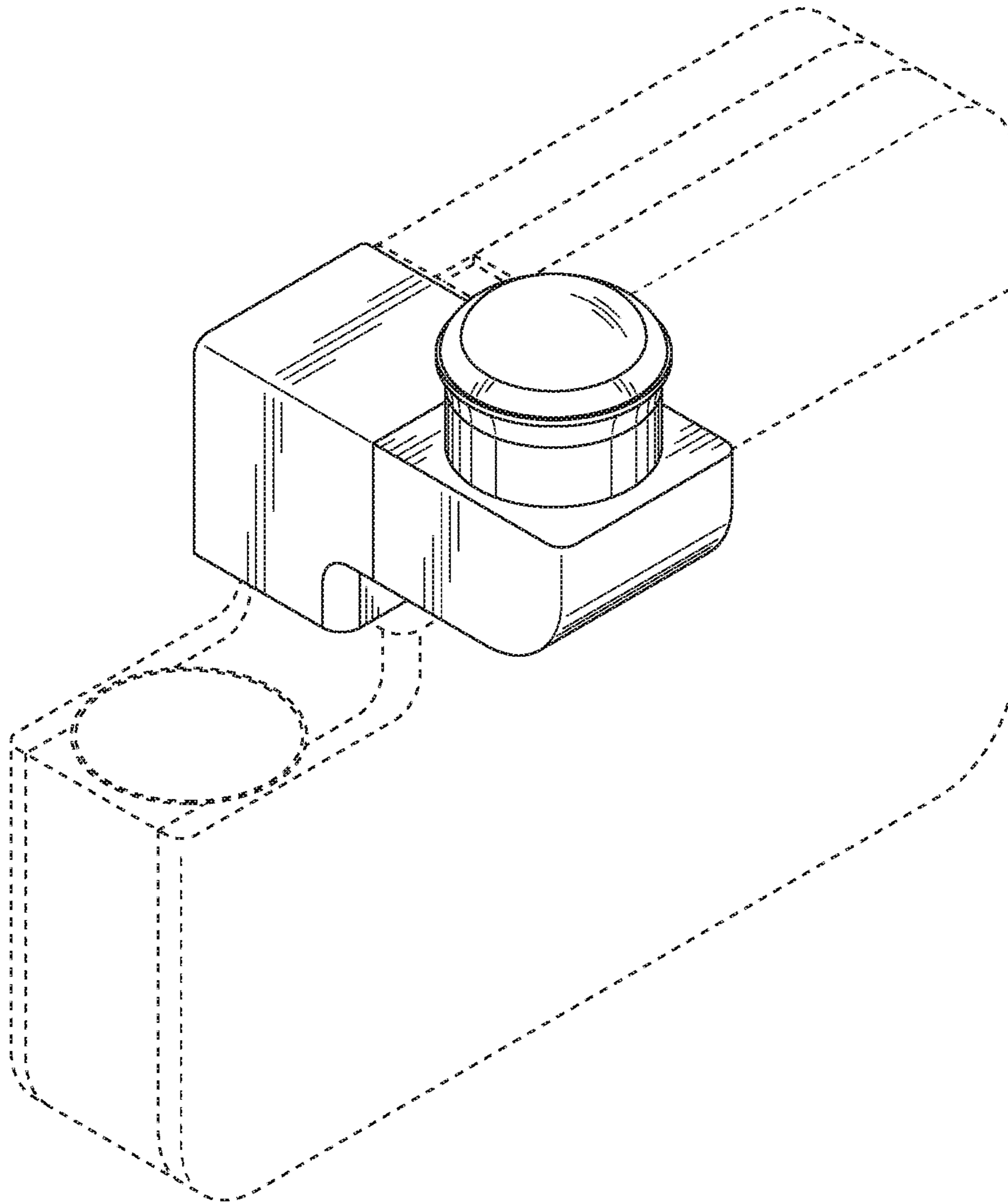


FIG. 38

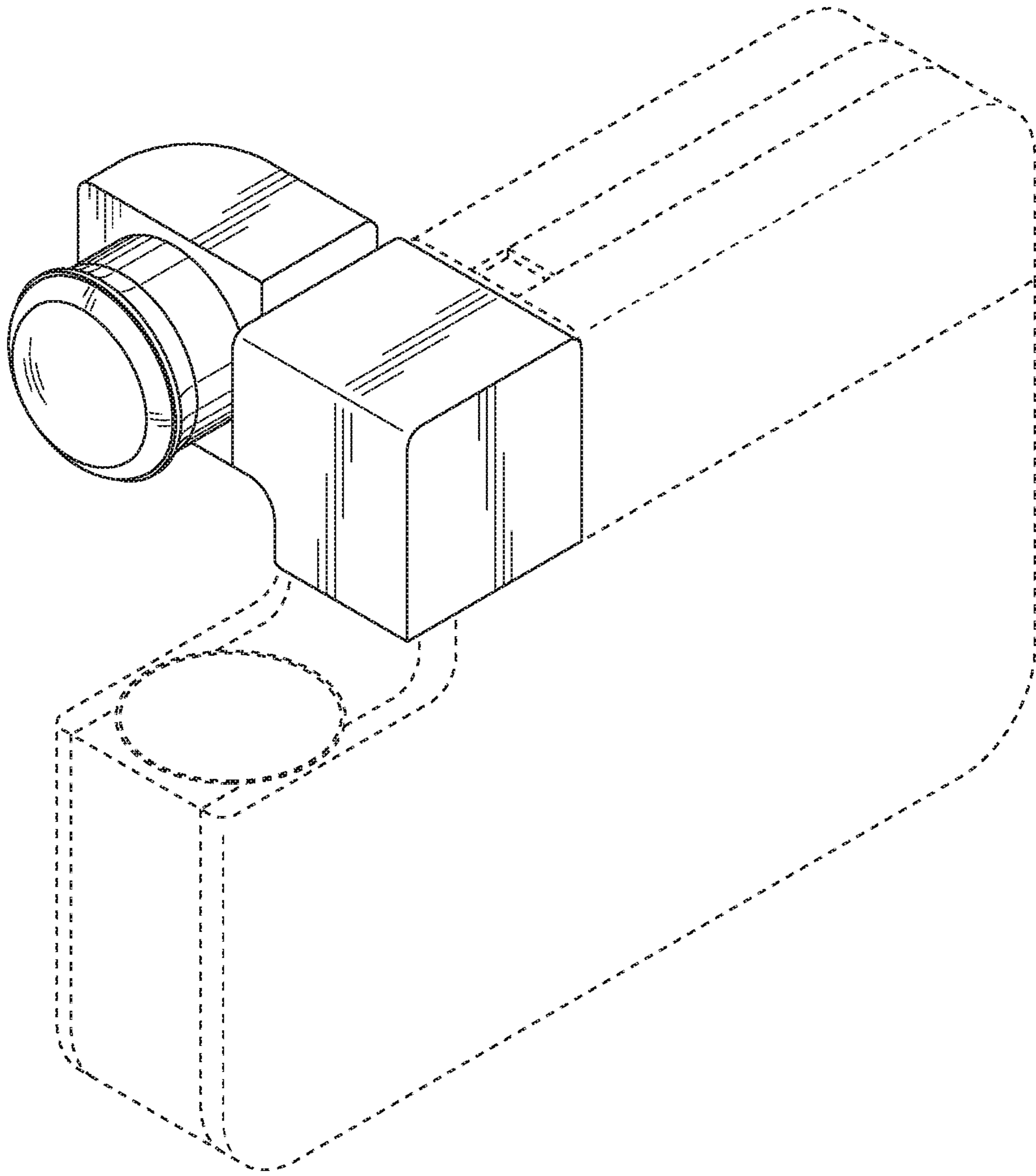


FIG. 39

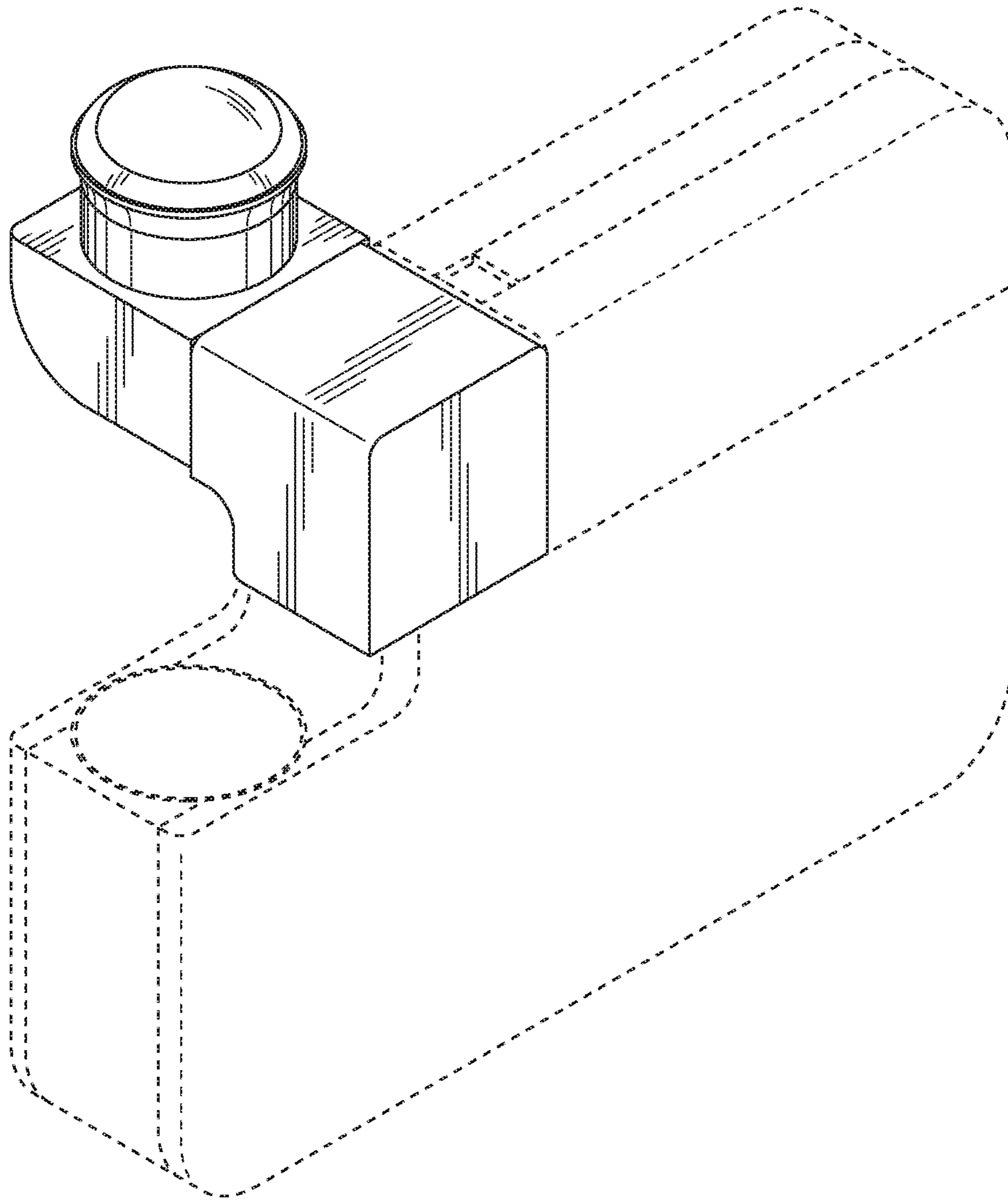


FIG. 40

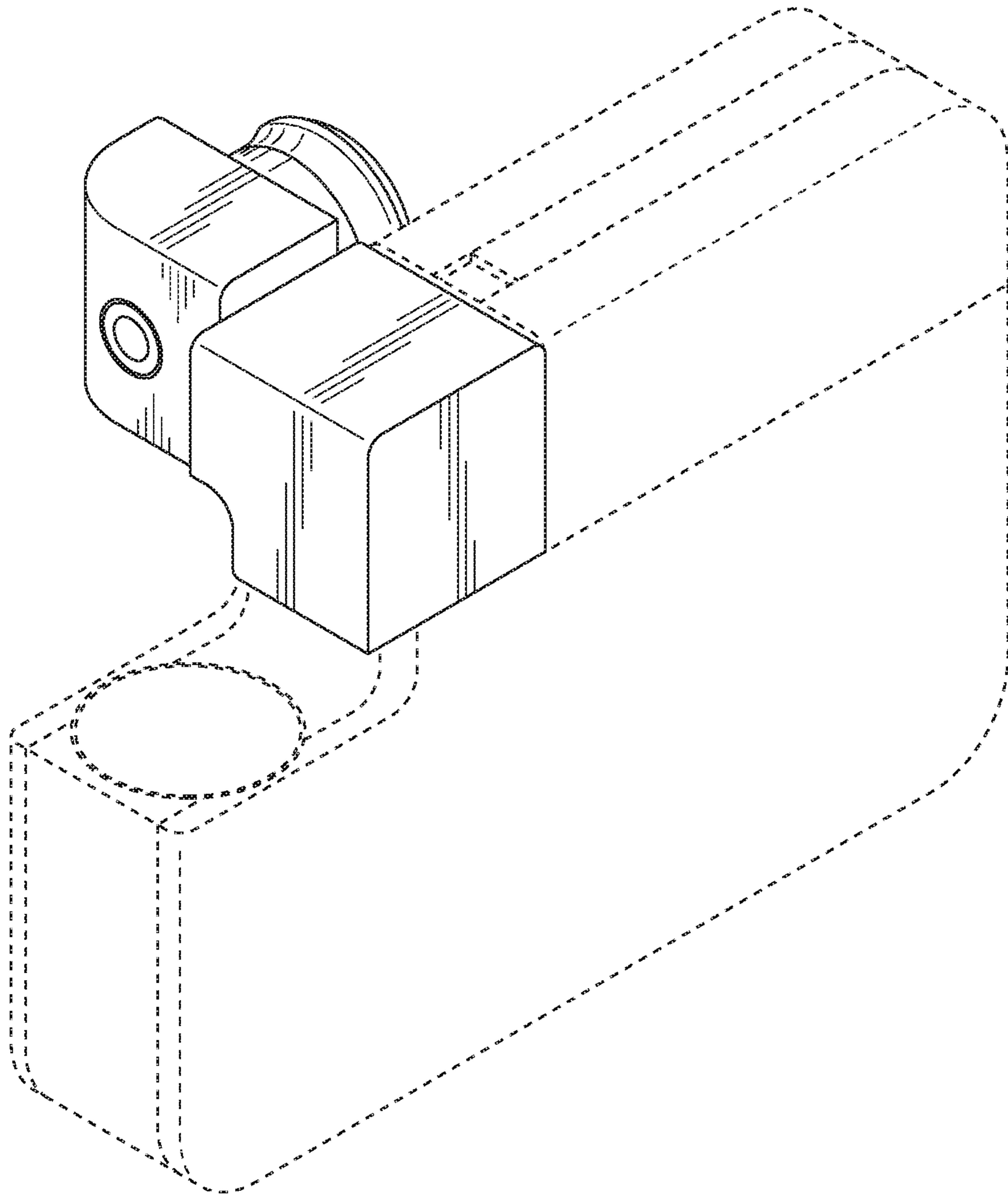


FIG. 41

