



US00D878451S

(12) **United States Design Patent**  
**Pigino**

(10) **Patent No.:** **US D878,451 S**

(45) **Date of Patent:** **\*\* Mar. 17, 2020**

(54) **HOUSING FOR PROJECTORS**

(71) Applicant: **PROIETTA S.R.L.**

(72) Inventor: **Cristiano Pigino**, Avigliana (IT)

(73) Assignee: **PROIETTA S.R.L.**, Avigliana (TO)  
(IT)

(\*\*) Term: **15 Years**

(21) Appl. No.: **29/647,153**

(22) Filed: **May 10, 2018**

(30) **Foreign Application Priority Data**

Nov. 21, 2017 (EM) ..... RCD 004516623

(51) **LOC (12) Cl.** ..... **16-02**

(52) **U.S. Cl.**  
USPC ..... **D16/229**

(58) **Field of Classification Search**  
USPC ..... D16/203, 208, 221, 225, 229–231, 234;  
D21/514; 353/119, 122  
CPC .... G03B 21/145; G03B 21/142; G03B 21/14;  
G03B 21/16; G03B 21/00; G03B 21/001;  
G03B 21/003  
See application file for complete search history.

(56) **References Cited**

**U.S. PATENT DOCUMENTS**

D185,994 S \* 8/1959 Lanigan ..... D16/234  
D204,032 S \* 3/1966 Herbst ..... D16/234

D605,682 S \* 12/2009 Messner ..... D16/225  
D616,911 S \* 6/2010 Tompkin ..... D16/225  
D635,175 S \* 3/2011 Tompkin ..... D16/230  
8,061,858 B2 \* 11/2011 Belliveau ..... G03B 21/145  
348/789  
8,955,979 B2 \* 2/2015 Velazquez ..... G03B 21/14  
313/500  
9,405,176 B2 \* 8/2016 Kinebuchi ..... G03B 21/16  
D777,822 S \* 1/2017 Velazquez ..... D16/234  
9,667,924 B2 \* 5/2017 Mukai ..... G03B 21/145  
2005/0041221 A1 \* 2/2005 Buroni ..... G03B 21/16  
353/119  
2018/0084921 A1 \* 3/2018 Huang ..... G03B 21/145

**FOREIGN PATENT DOCUMENTS**

CN 301484065 \* 9/2010  
CN 304665396 \* 12/2017

\* cited by examiner

*Primary Examiner* — Wan Laymon

(74) *Attorney, Agent, or Firm* — Howson & Howson LLP

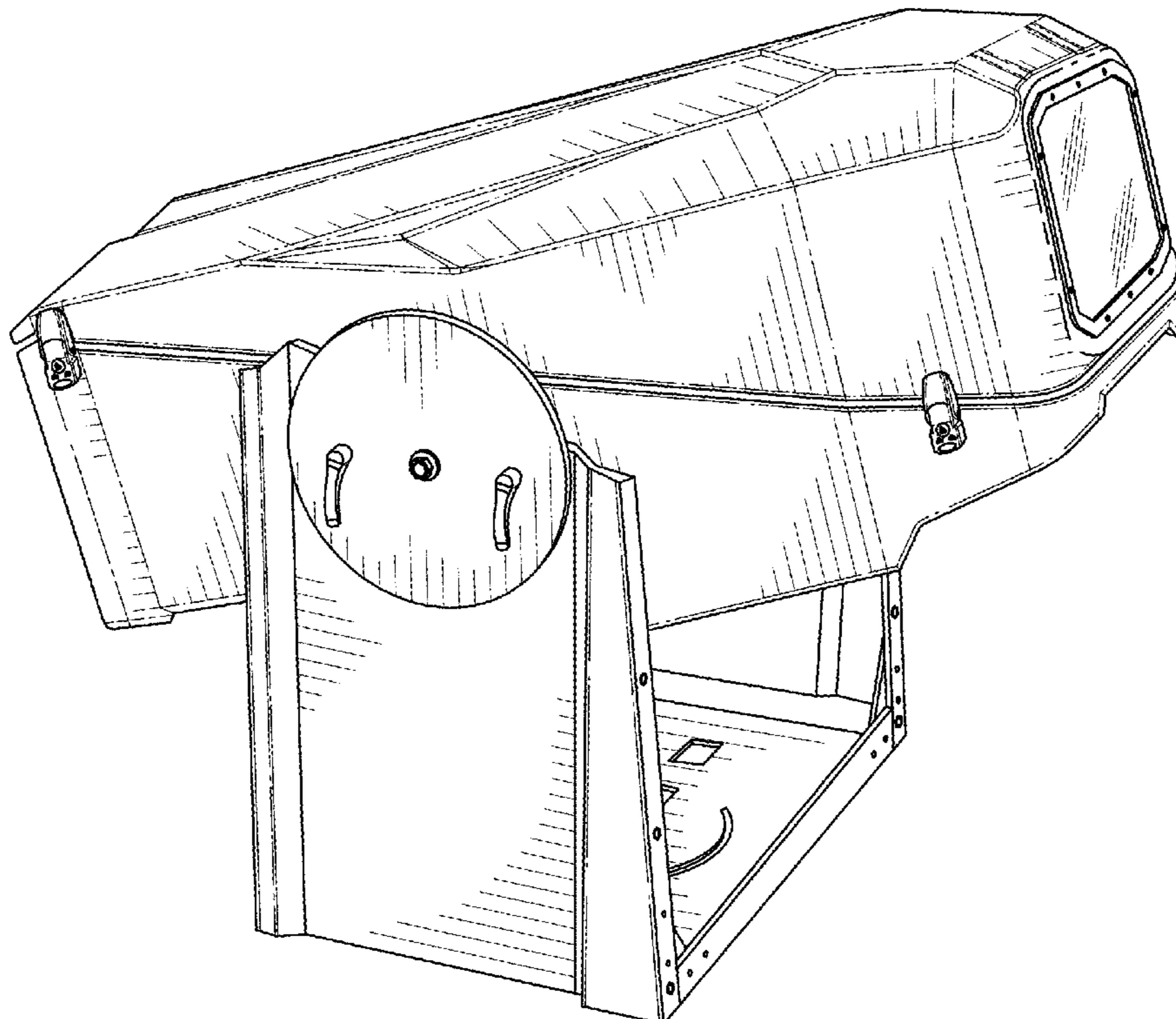
(57) **CLAIM**

The ornamental design for a housing for projectors, as shown and described.

**DESCRIPTION**

FIG. 1 is a perspective view of a housing for projectors showing my new design;  
FIG. 2 is a front elevational view thereof;  
FIG. 3 is a left side elevational view thereof, the right side elevational view being a mirror image thereof; and,  
FIG. 4 is a top plan view thereof.

**1 Claim, 4 Drawing Sheets**



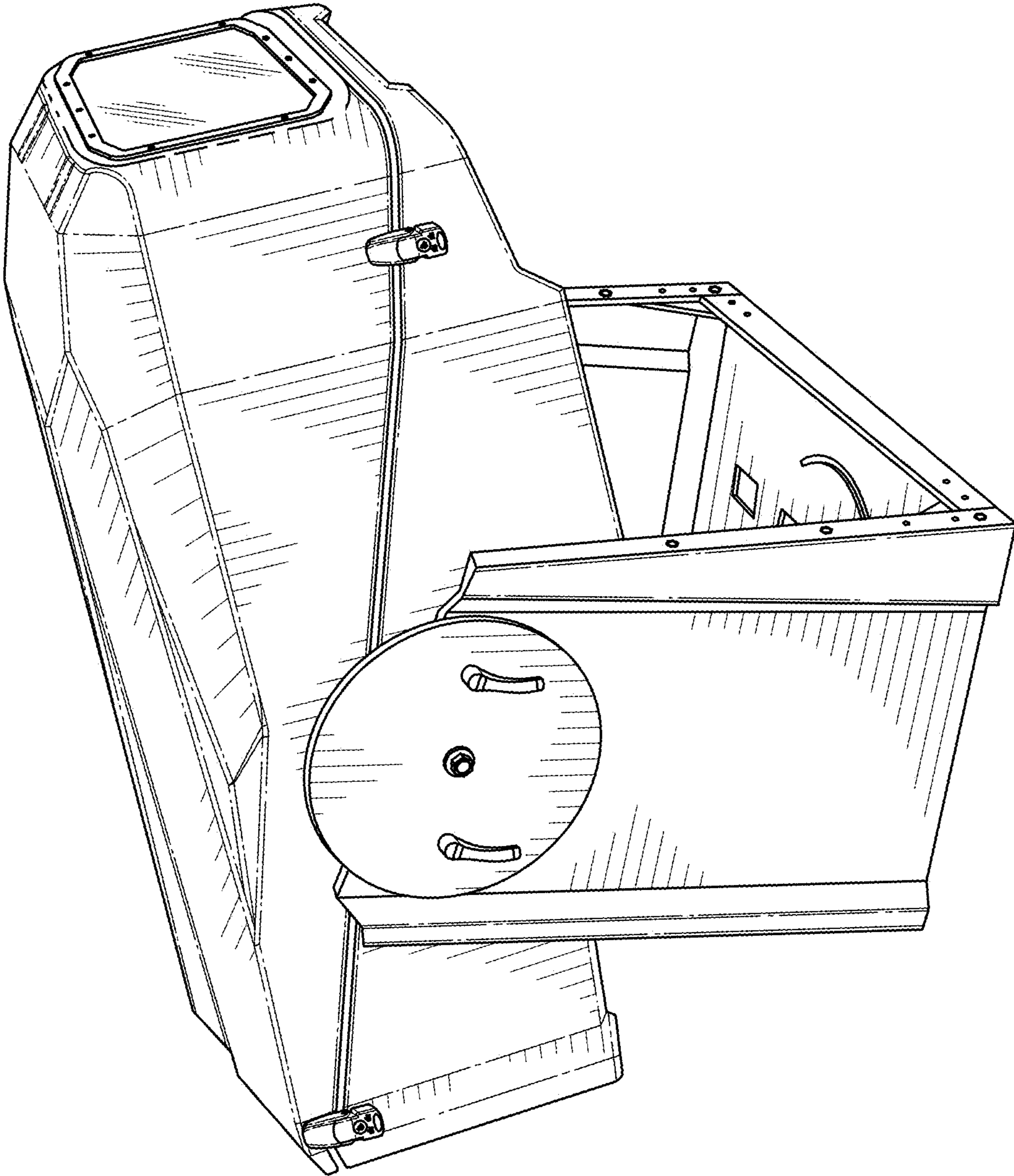


FIG. 1

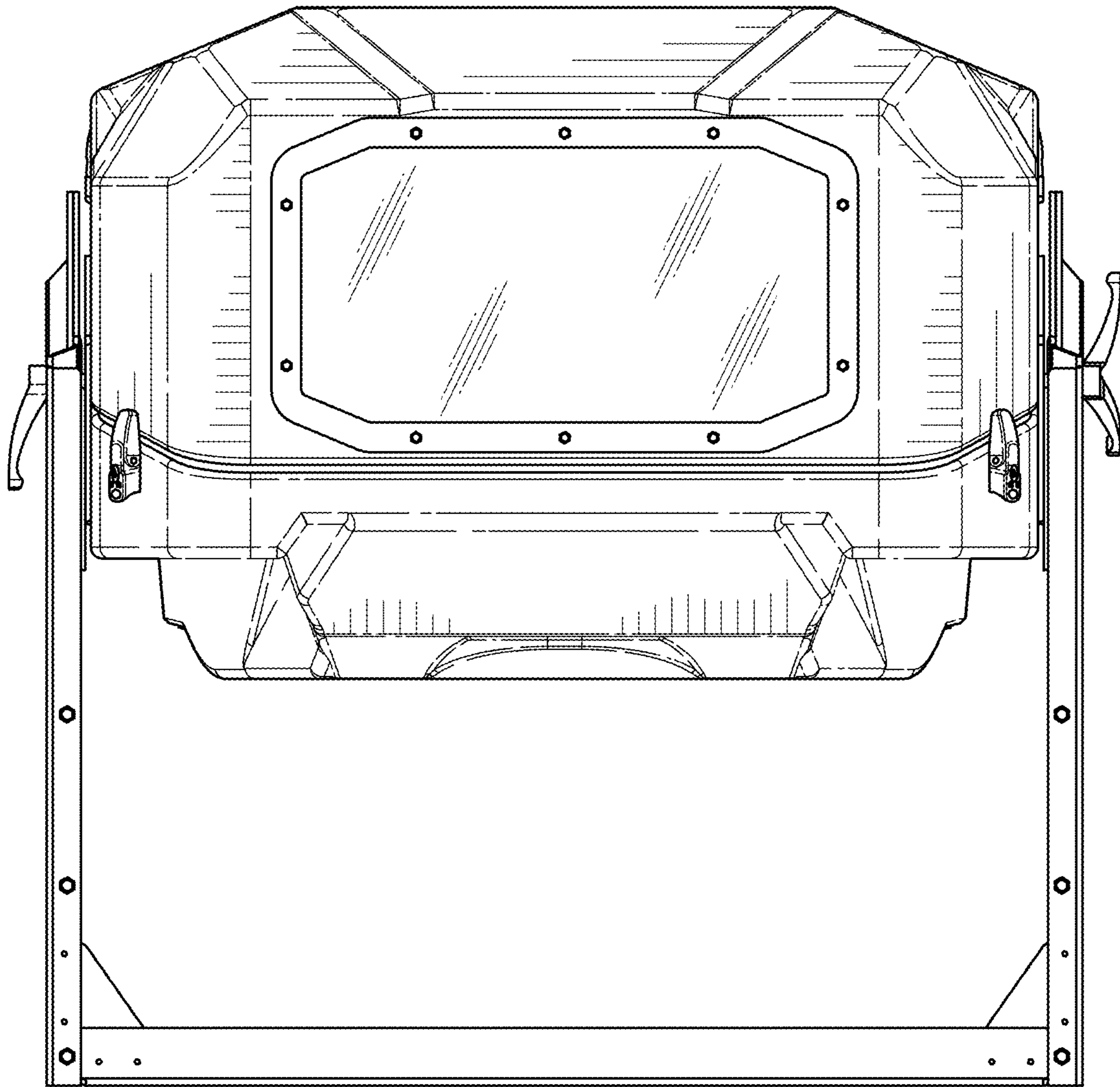


FIG. 2

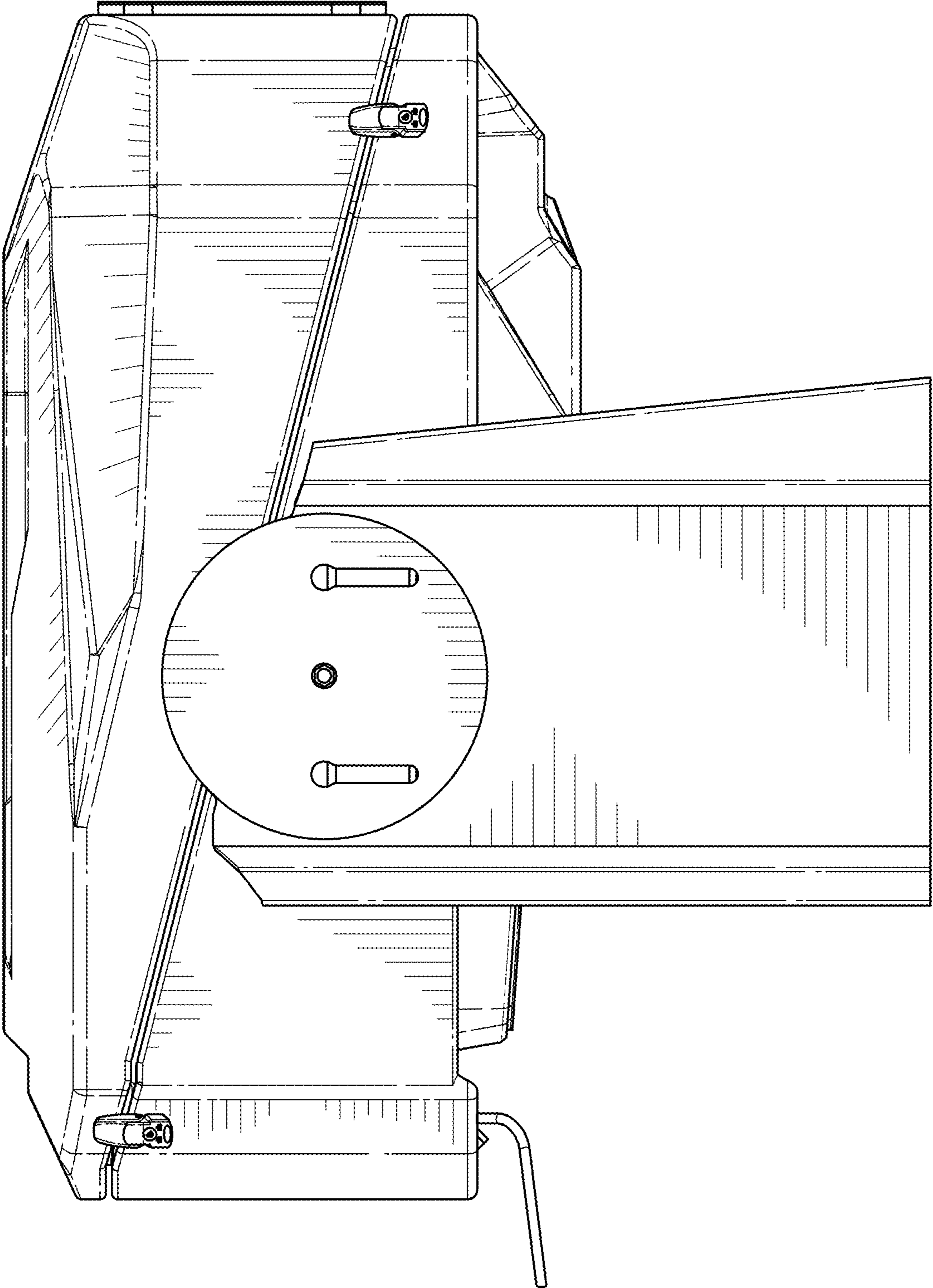


FIG. 3

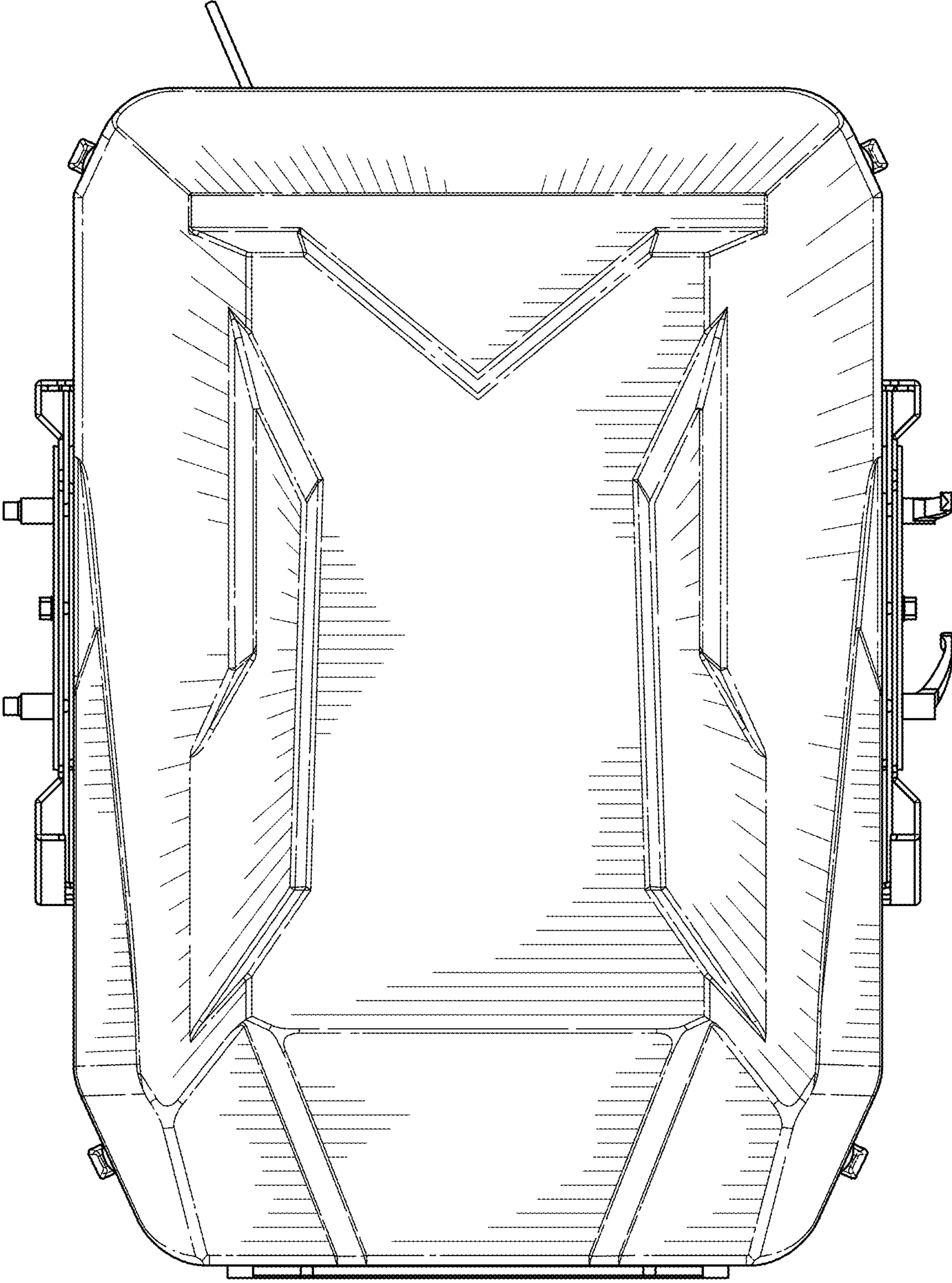


FIG. 4