



US00D878450S

(12) **United States Design Patent**
Sakai

(10) **Patent No.:** **US D878,450 S**

(45) **Date of Patent:** **** Mar. 17, 2020**

(54) **LENS FOR TELEVISION CAMERA**

(71) Applicant: **FUJIFILM Corporation**, Tokyo (JP)

(72) Inventor: **Hiroyuki Sakai**, Saitama (JP)

(73) Assignee: **FUJIFILM Corporation**, Tokyo (JP)

(**) Term: **15 Years**

(21) Appl. No.: **29/665,518**

(22) Filed: **Oct. 4, 2018**

(30) **Foreign Application Priority Data**

Apr. 5, 2018 (JP) 2018-007534

(51) **LOC (12) Cl.** **16-05**

(52) **U.S. Cl.**
USPC **D16/219**

(58) **Field of Classification Search**
USPC D16/134, 136, 200, 202–205, 218, 219,
D16/235, 242; 348/373–376;
359/826–828; 396/529–532, 535,
396/539–541

CPC G03B 17/02; G03B 19/04; G03B 17/56;
G03B 17/04; G03B 15/03; G03B 17/14;
H04N 5/2251; H04N 5/2252; H04N
5/2253; H04N 5/2254; G02B 7/02; G02B
7/04; G02B 7/14

See application file for complete search history.

(56) **References Cited**

U.S. PATENT DOCUMENTS

D398,315 S * 9/1998 Miyamoto D16/134
6,791,770 B2 * 9/2004 Yamazaki G02B 7/02
359/819
D665,835 S * 8/2012 Yanagi D16/219
D665,836 S * 8/2012 Yanagi D16/219
D673,993 S * 1/2013 Yanagi D16/219
D744,025 S * 11/2015 Oh D16/134
D750,689 S * 3/2016 Oh D16/134

D754,236 S * 4/2016 Oh D16/134
D768,226 S * 10/2016 Kawamura D16/219
D771,730 S * 11/2016 Yoshiyama D16/219
D771,731 S * 11/2016 Yoshiyama D16/219

(Continued)

FOREIGN PATENT DOCUMENTS

JP 1547207 S 4/2016
JP 1547333 S 4/2016
JP 1547334 S 4/2016

OTHER PUBLICATIONS

“Certificate to be applied the regulation of Exceptions to Lack of Novelty of Design”, Fujifilm Corporation, Mar. 27, 2018, 14 pages including three (3) webpages indicated therein. Filed in JP 2018 007534.

(Continued)

Primary Examiner — Ramzi S Almatrahi

(74) *Attorney, Agent, or Firm* — Sughrue Mion, PLLC

(57) **CLAIM**

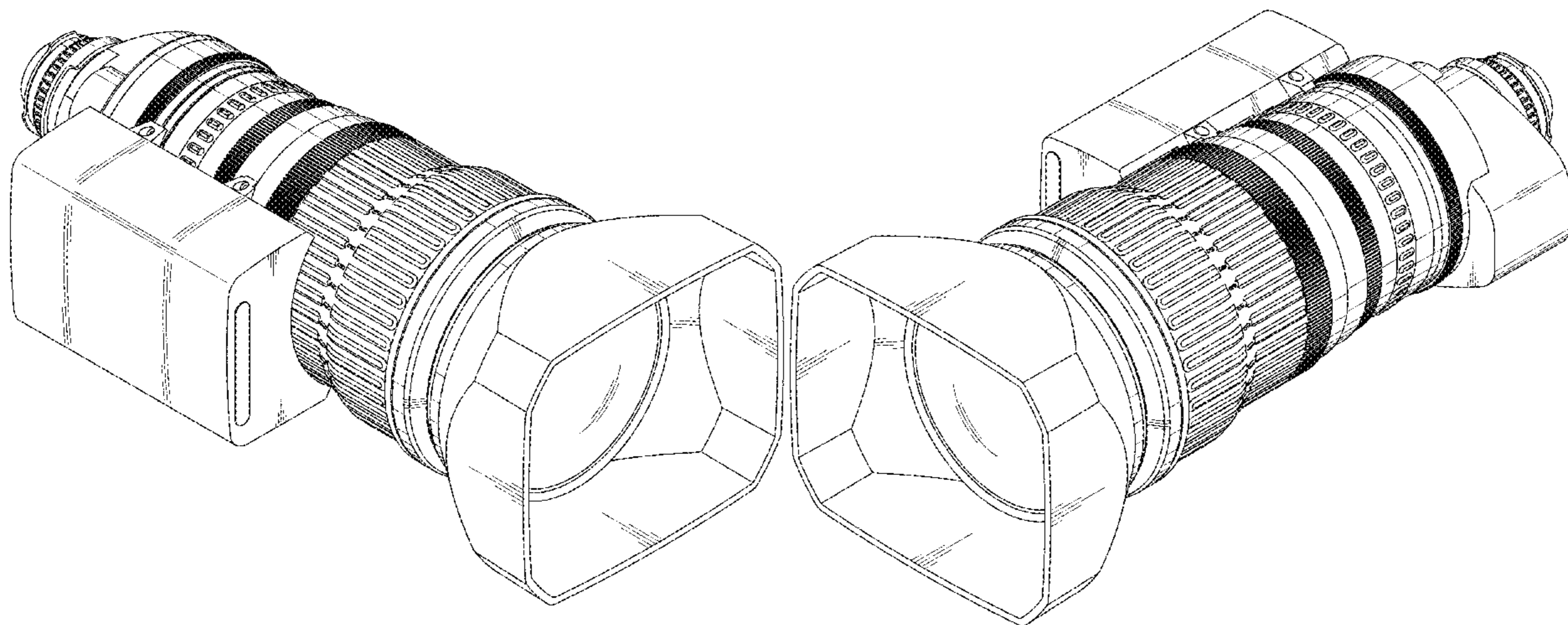
The ornamental design for a lens for television camera, as shown and described.

DESCRIPTION

FIG. 1 is a rear perspective view of a lens for television camera showing my new design;
FIG. 2 is a front perspective view thereof;
FIG. 3 is a front view thereof;
FIG. 4 is a rear view thereof;
FIG. 5 is a top plan view thereof;
FIG. 6 is a bottom plan view thereof;
FIG. 7 is a right side view thereof; and,
FIG. 8 is a left side view thereof.

The broken lines depict portions of the lens for television camera in which the design is embodied that form no part of the claimed design.

1 Claim, 7 Drawing Sheets



(56)

References Cited

U.S. PATENT DOCUMENTS

D788,836 S * 6/2017 Sakai D16/219
D809,051 S * 1/2018 Sakai D16/219

OTHER PUBLICATIONS

Communication dated Mar. 6, 2019 from the Japanese Patent Office in application No. 2018-007534.

Domestic Magazine "2/3" HDTV Eng Lens HD Portable Lens the World's First new wide lens with a 2.2X extender, HA14X4.5BE", published by Fujinon Corporation, Recorded on p. 1, HC22010107, 2010.

Canon: World's Longest focal distance and World's Best zoom magnification is achieved, A new product of a Cine-Servo lens with 4K optical performance and with excellent portability is released, <http://cweb.canon.jp/newsrelease/2014-10/pr-cn20-50-ias.html>, HJ26046373, 2014.

* cited by examiner

FIG. 1

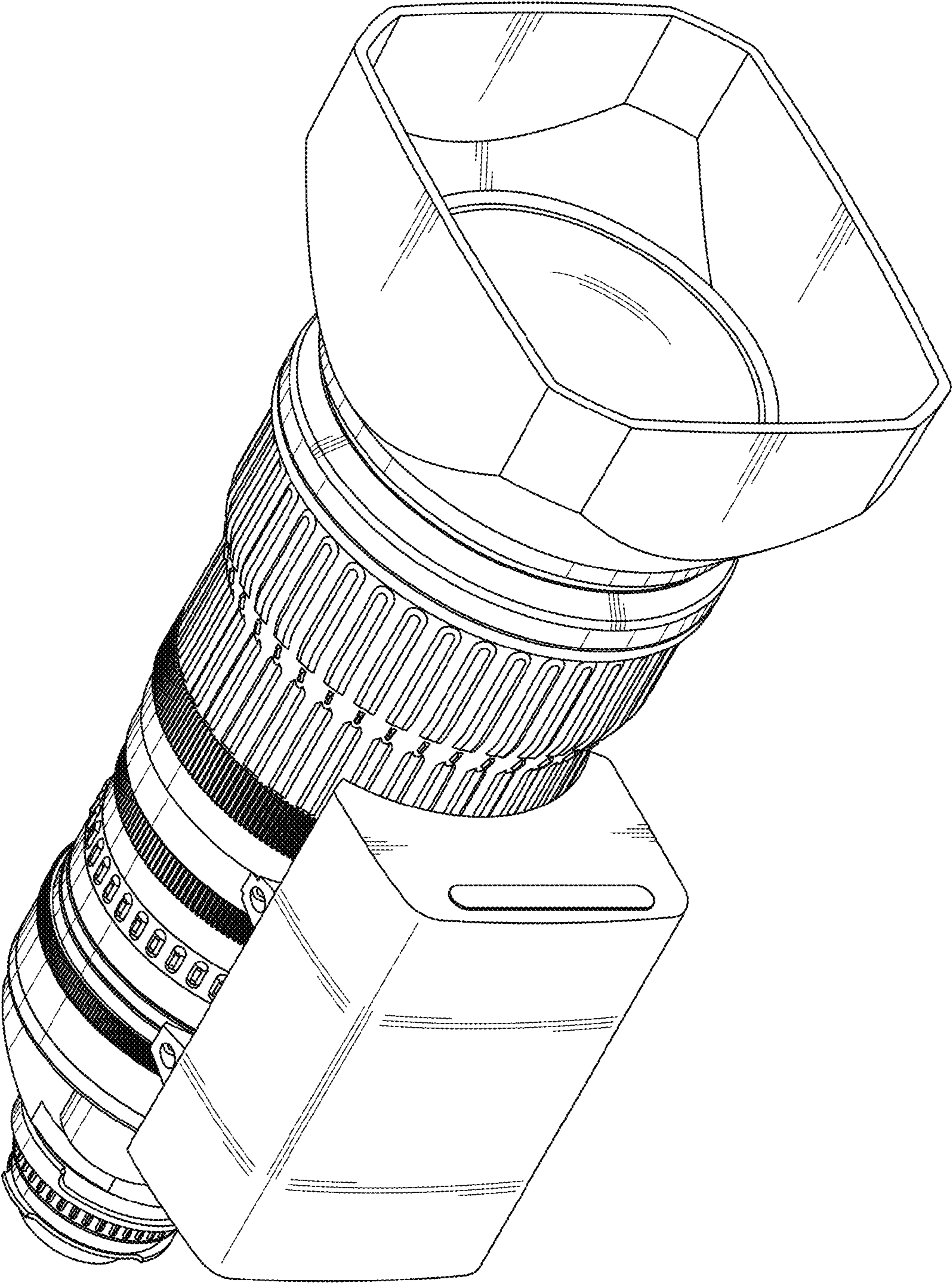


FIG. 2

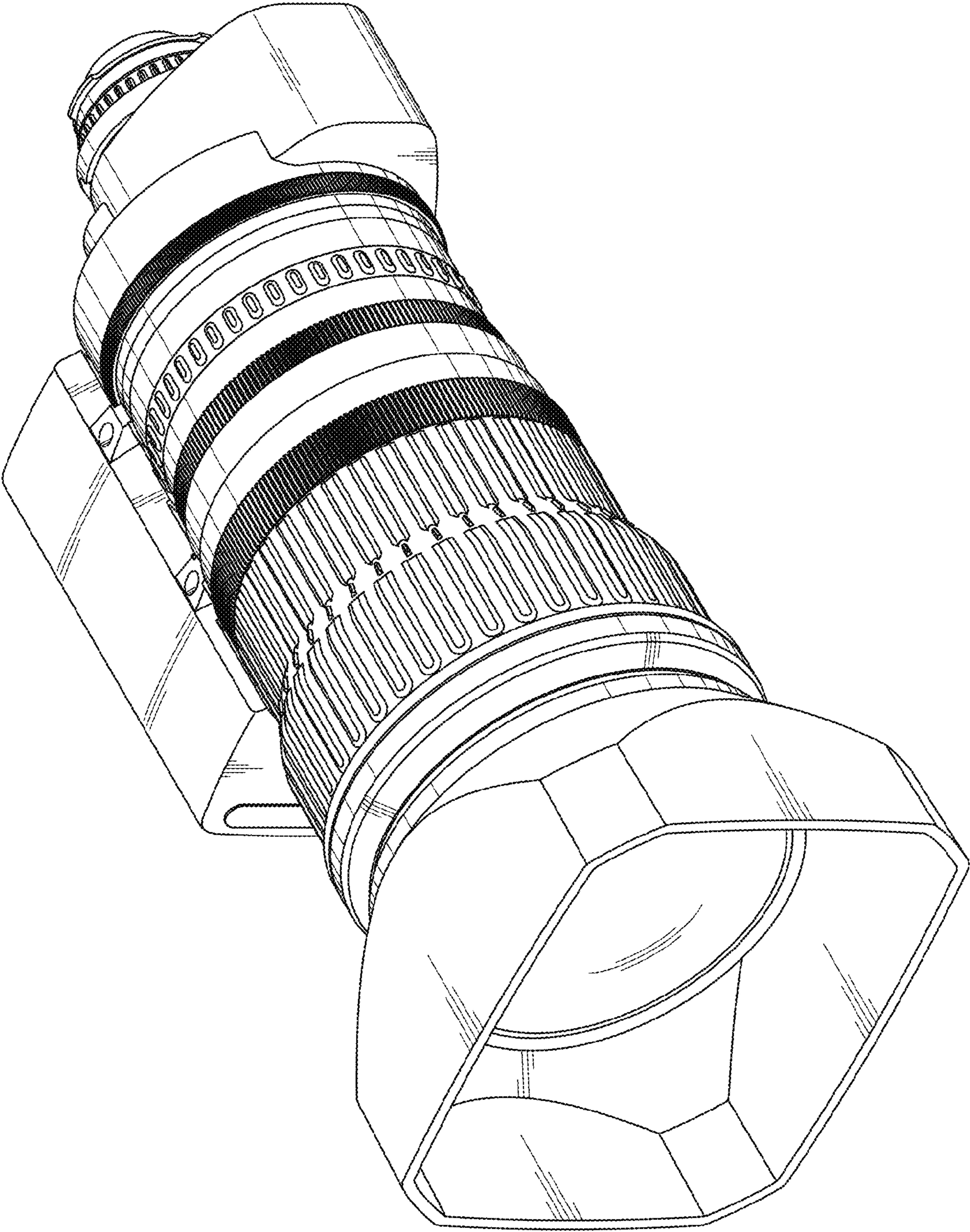


FIG. 3

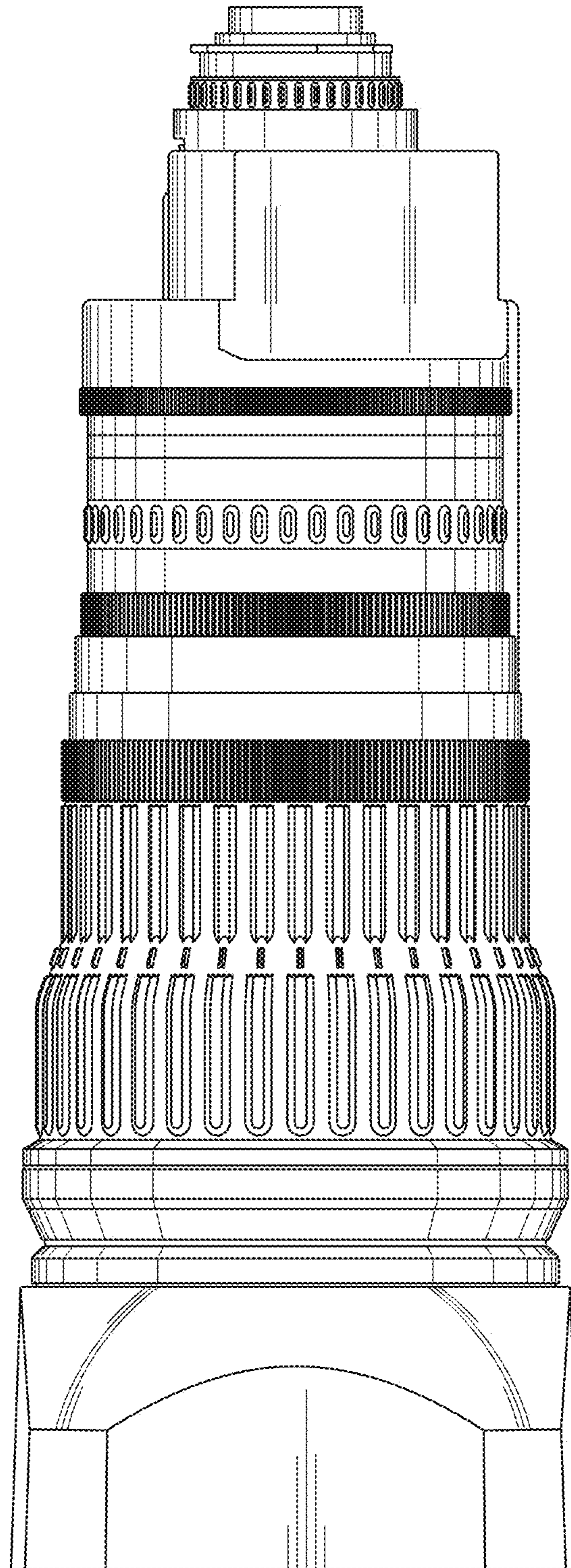


FIG. 4

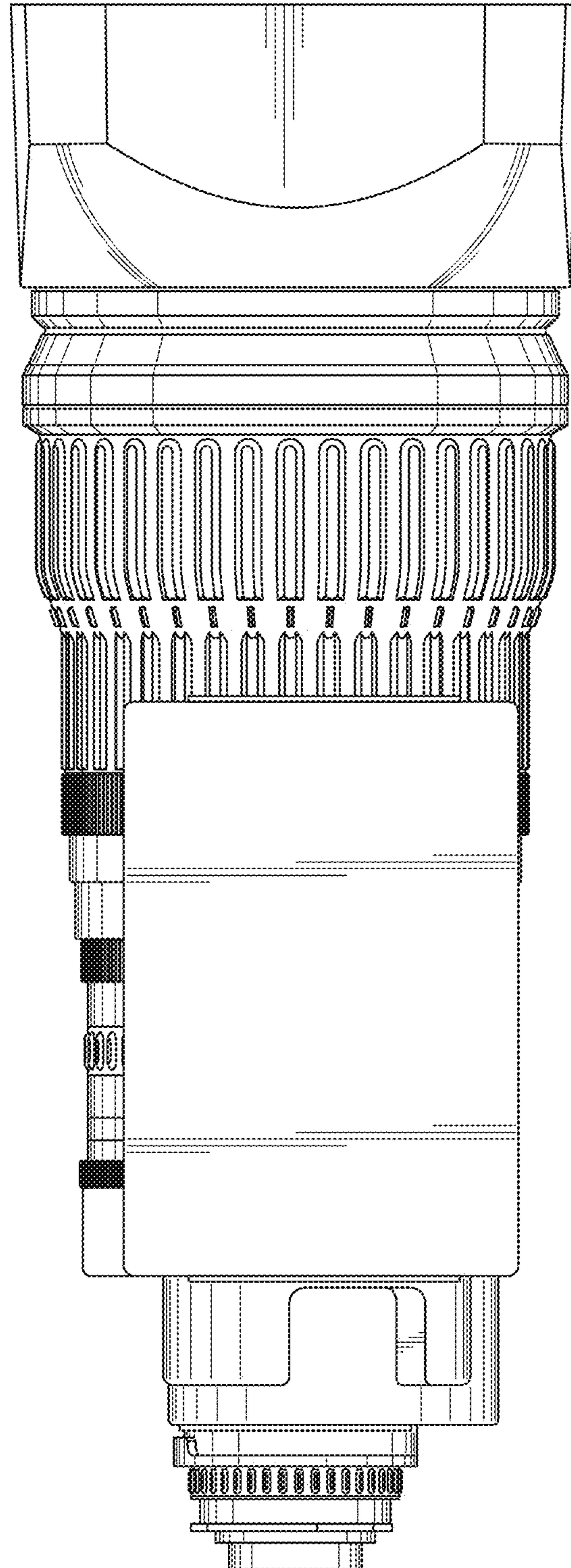


FIG. 5

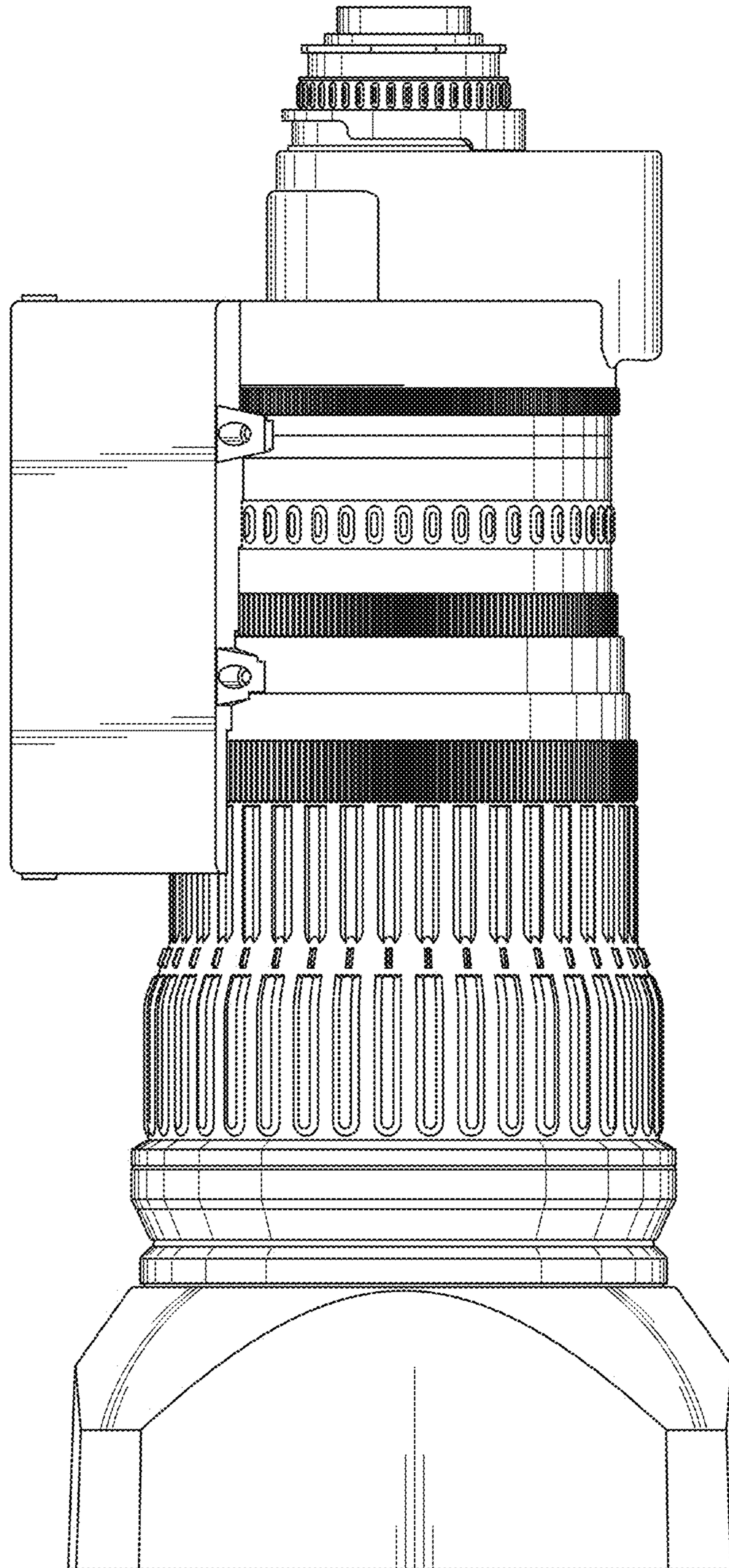


FIG. 6

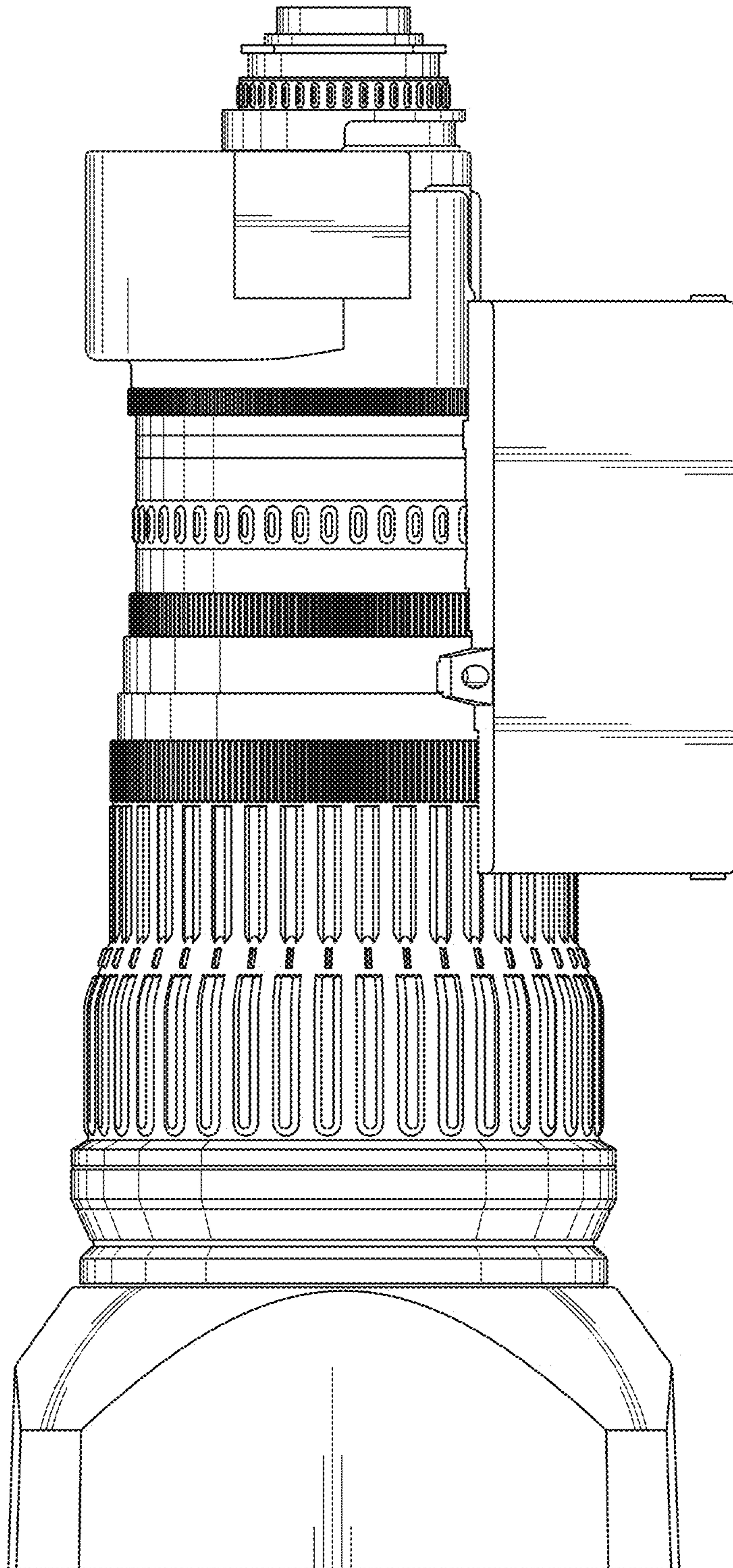


FIG. 7

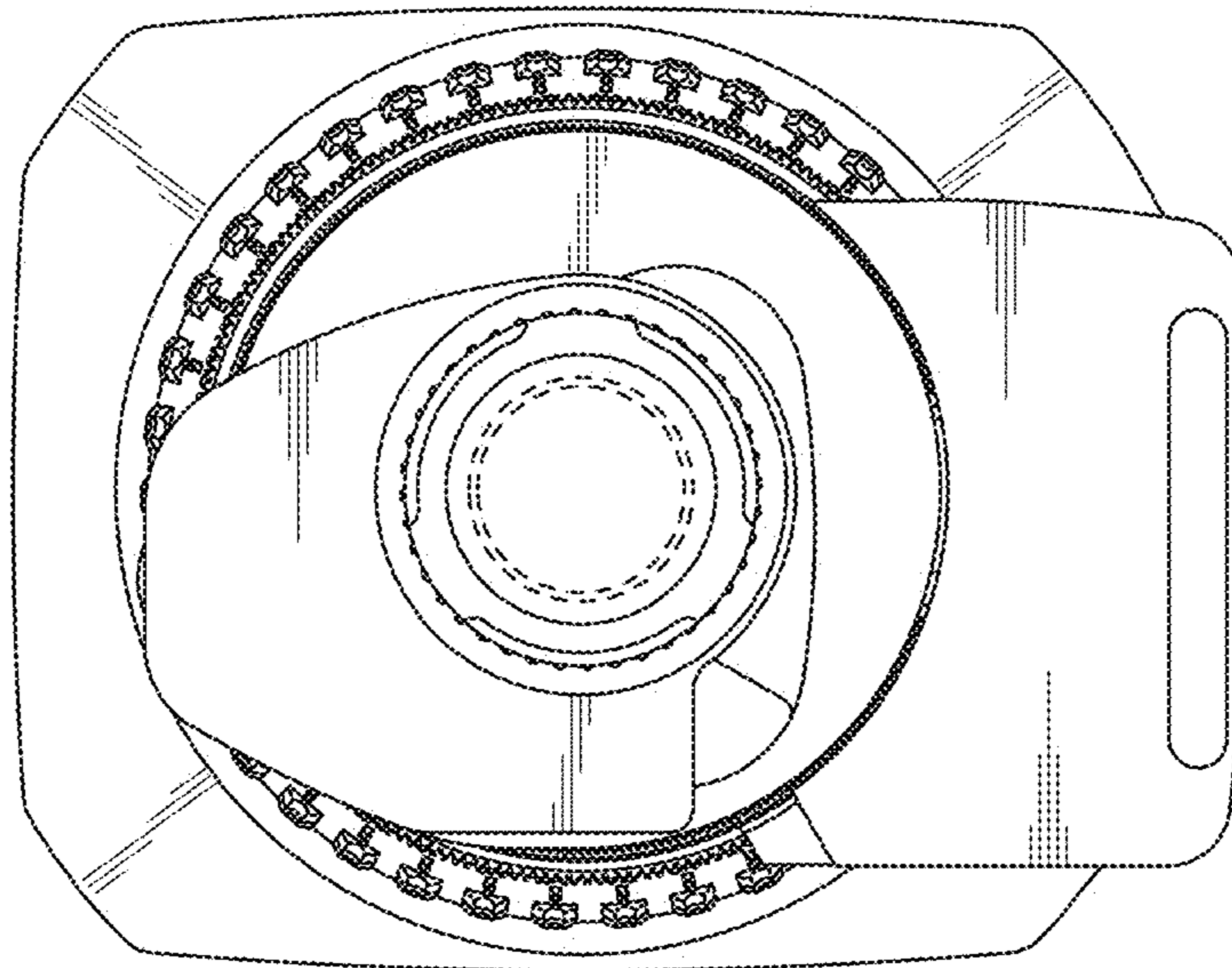


FIG. 8

