



US00D878449S

(12) **United States Design Patent**
Yeh et al.

(10) **Patent No.:** **US D878,449 S**
(45) **Date of Patent:** **** Mar. 17, 2020**

(54) **CAMERA SUPPORT**

(71) Applicant: **AVer Information Inc.**, New Taipei (TW)

(72) Inventors: **Hong-Chi Yeh**, New Taipei (TW);
Bo-Ching Chiou, New Taipei (TW);
Chih-Chung Su, New Taipei (TW);
Chun-Yen Yu, New Taipei (TW)

(73) Assignee: **AVER INFORMATION INC.**, New Taipei (TW)

(**) Term: **15 Years**

(21) Appl. No.: **29/657,071**

(22) Filed: **Jul. 19, 2018**

(51) **LOC (12) Cl.** **16-05**

(52) **U.S. Cl.**
USPC **D16/219**; D16/242

(58) **Field of Classification Search**
USPC D16/200, 202–208, 218, 219, 242;
348/143, 148, 151, 373–376; 396/419,
396/427, 535, 539–541
CPC G03B 17/02; G03B 19/04; G03B 17/56;
G03B 17/04; G03B 15/03; H04N 5/2251;
H04N 5/2252; H04N 5/2253; H04N
5/2254; H04N 7/181; H04N 7/183; H04N
7/18; G08B 13/1963; G08B 13/19619;
G08B 13/19632; F16M 11/04; F16M
13/00

See application file for complete search history.

(56) **References Cited**

U.S. PATENT DOCUMENTS

D270,548 S * 9/1983 Rimer D19/61
D495,355 S * 8/2004 Mudd D14/423

D525,241 S * 7/2006 Dyer D14/240
7,406,257 B2 * 7/2008 Yi H04N 9/3176
348/E5.026
D587,251 S * 2/2009 Morello D14/239
D587,255 S * 2/2009 Morello D14/239
D587,257 S * 2/2009 Morello D14/239
D680,295 S * 4/2013 Pennington D99/28
D703,720 S * 4/2014 Umehara D16/237
D718,295 S * 11/2014 Fan D14/251
D727,395 S * 4/2015 Choi D16/242
D754,778 S * 4/2016 Terashita D16/242
D839,948 S * 2/2019 Chueh D16/242

* cited by examiner

Primary Examiner — Ramzi S Almatrahi

(74) *Attorney, Agent, or Firm* — CKC & Partners Co., LLC

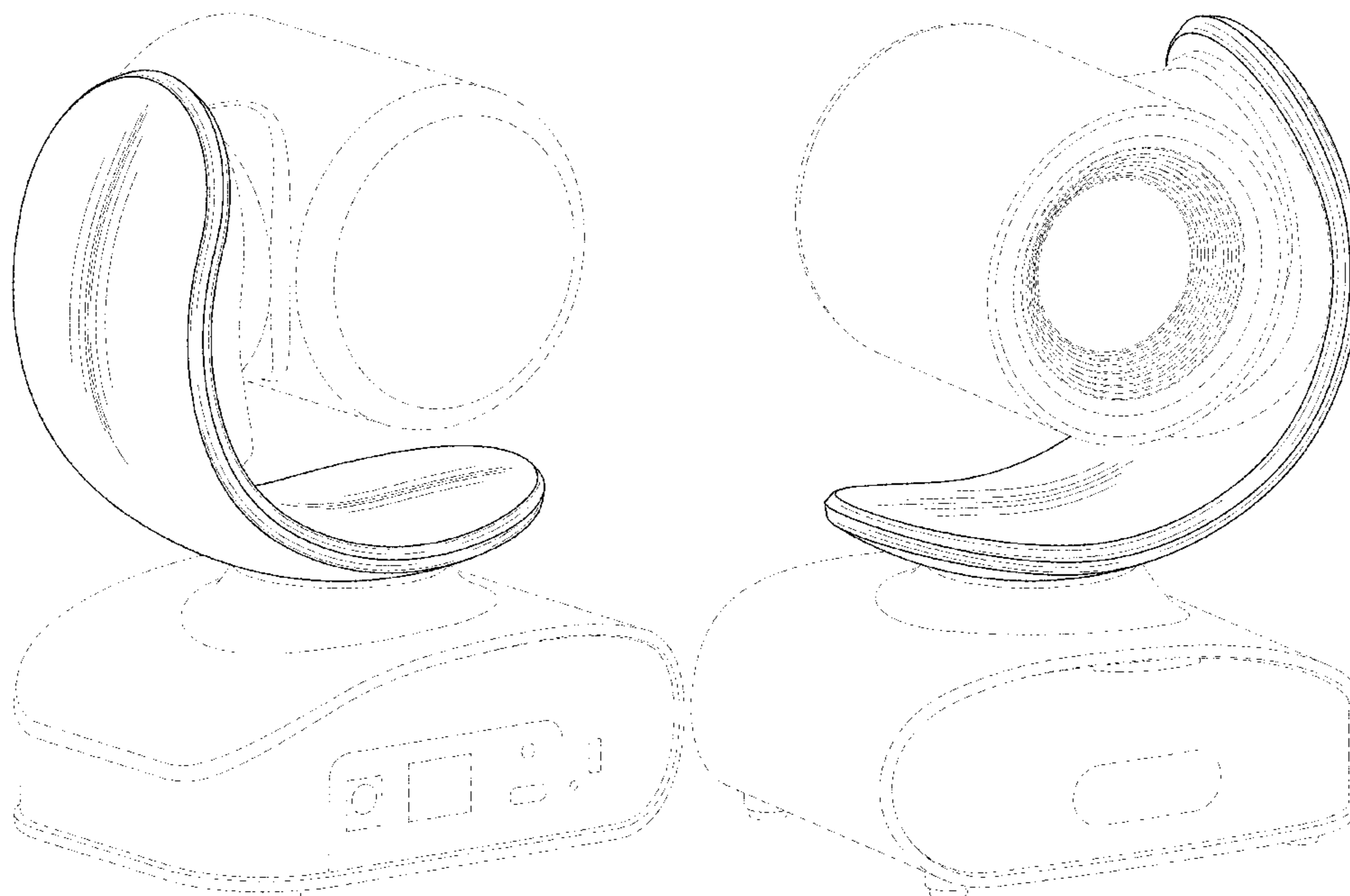
(57) **CLAIM**

The ornamental design for a camera support, as shown an described.

DESCRIPTION

FIG. 1 is a perspective view of a camera support showing our new design;
FIG. 2 is a front elevational view thereof;
FIG. 3 is a rear elevational view thereof;
FIG. 4 is a left side elevational view thereof;
FIG. 5 is a right side elevational view thereof;
FIG. 6 is a top plan view thereof;
FIG. 7 is a bottom plan view thereof;
FIG. 8 is a rear and right side perspective view thereof; and,
FIG. 9 is a front and left side perspective view thereof.
The broken lines depict portions of the camera support in which the design is embodied that form no part of the claimed design.

1 Claim, 9 Drawing Sheets



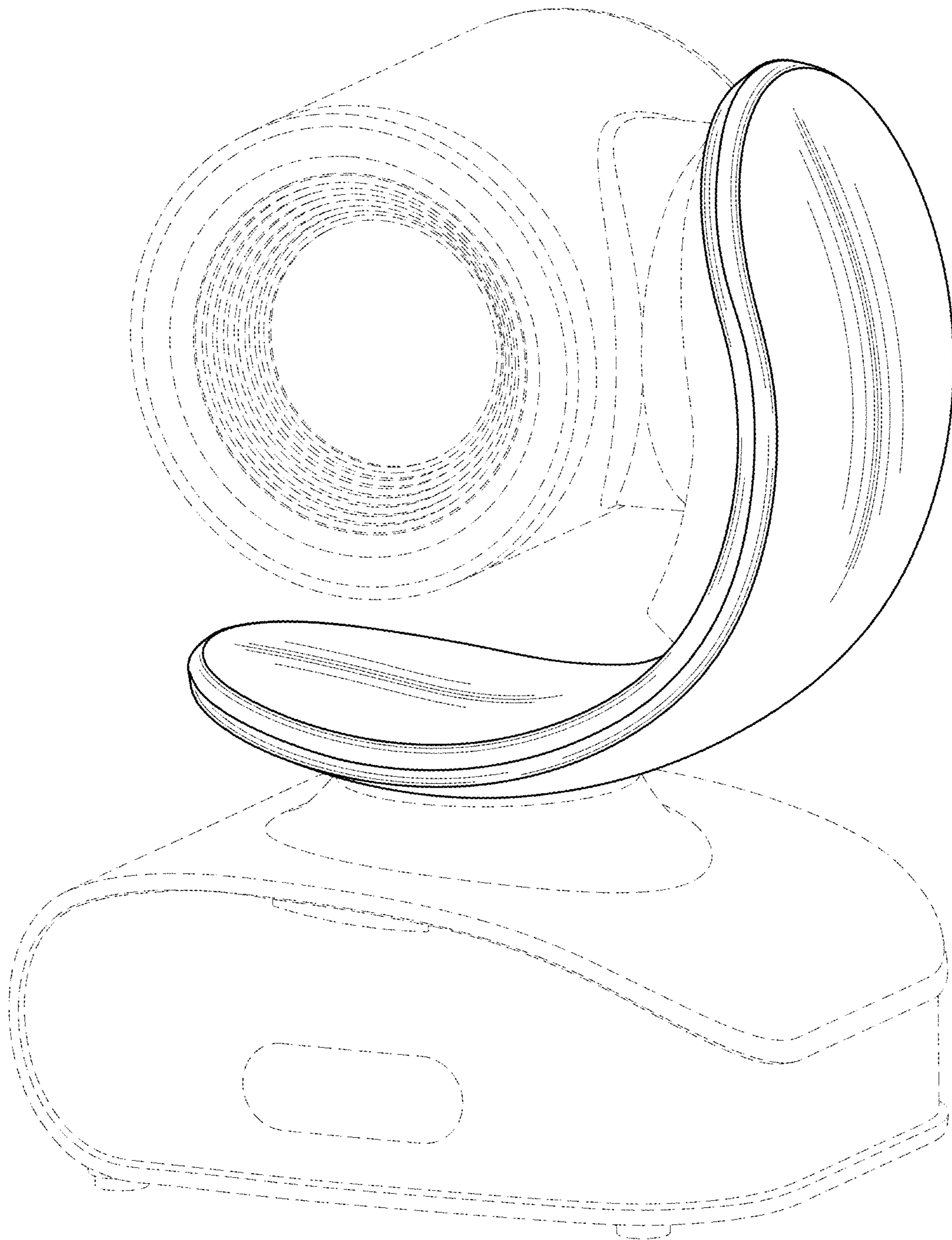


Fig. 1

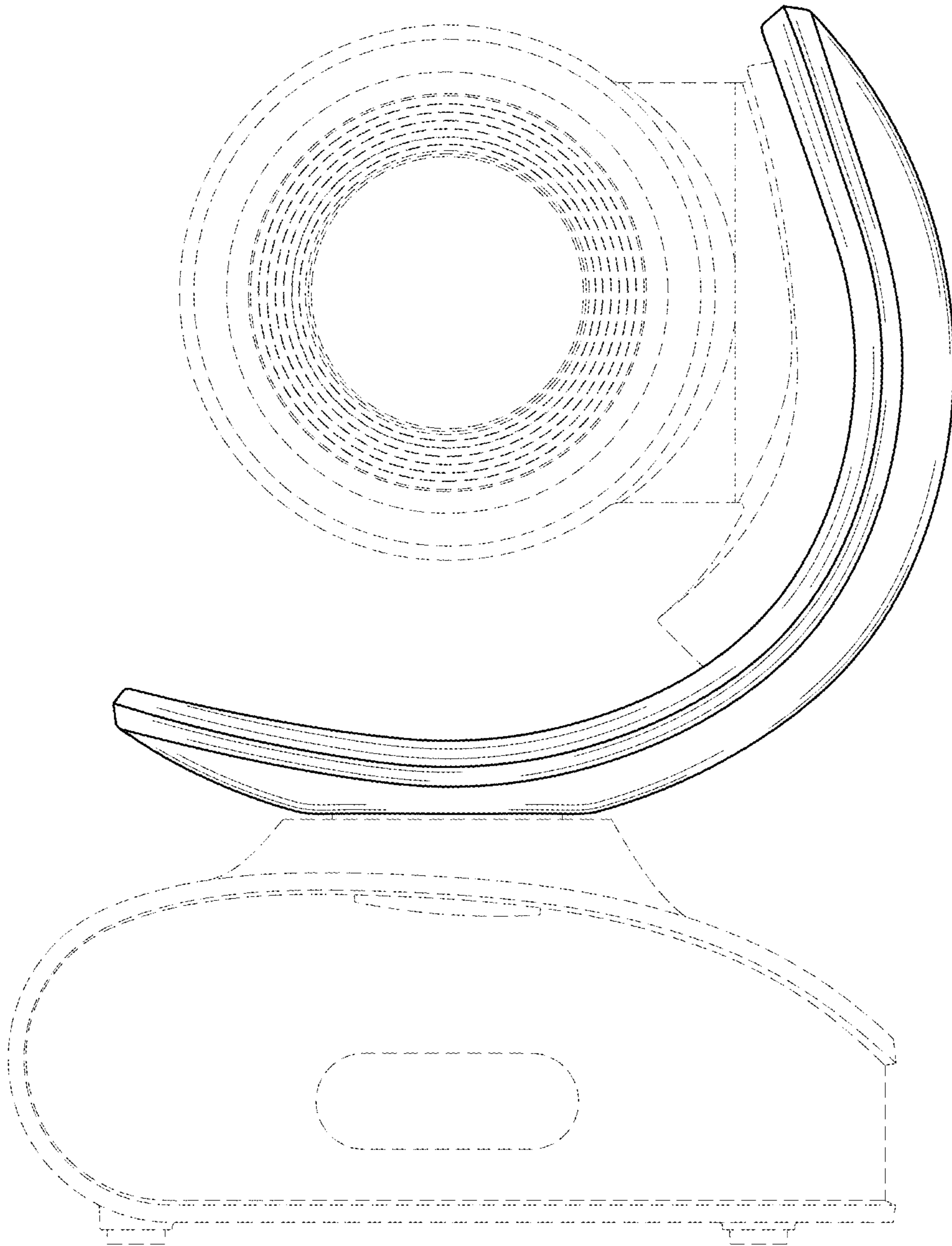


Fig. 2

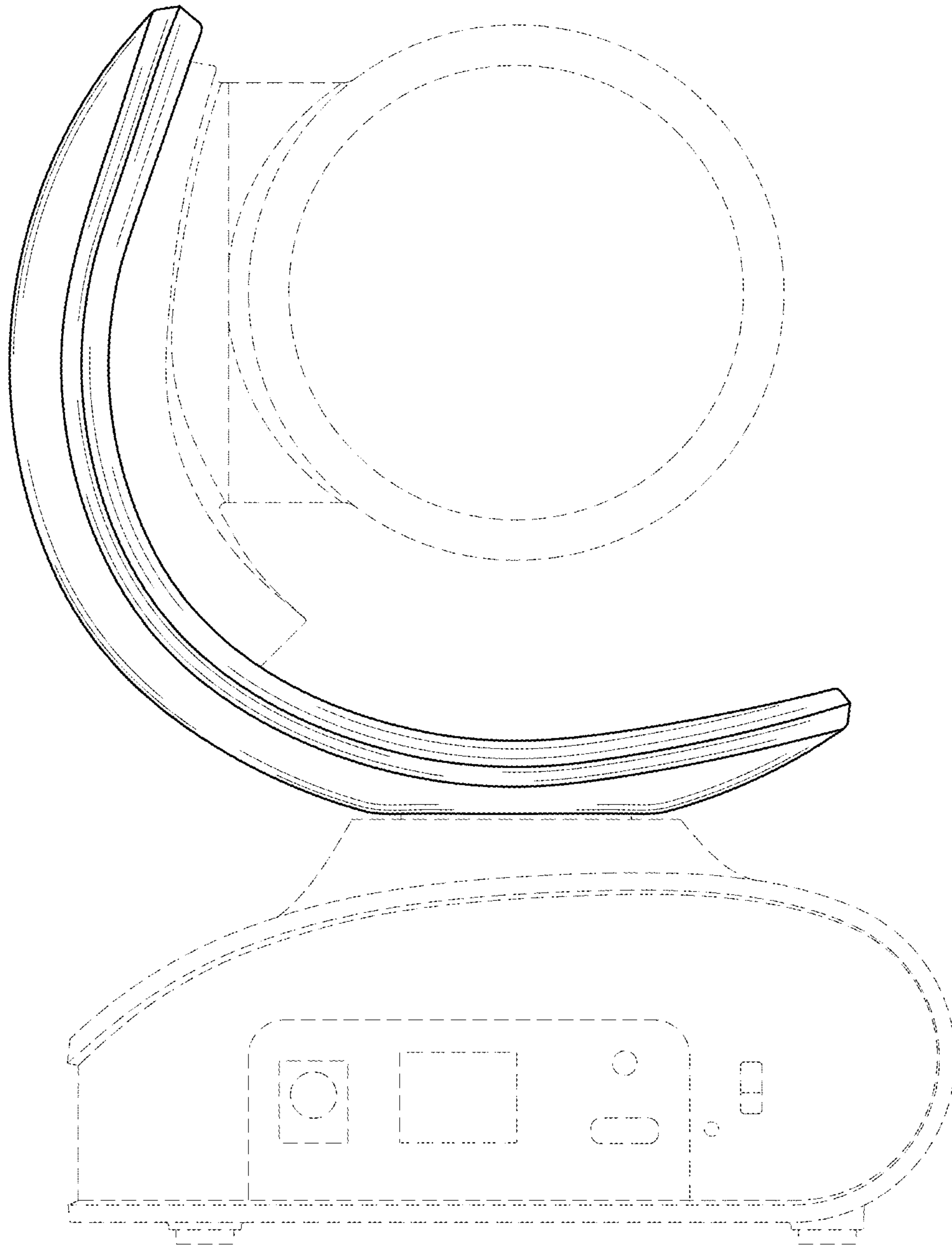


Fig. 3

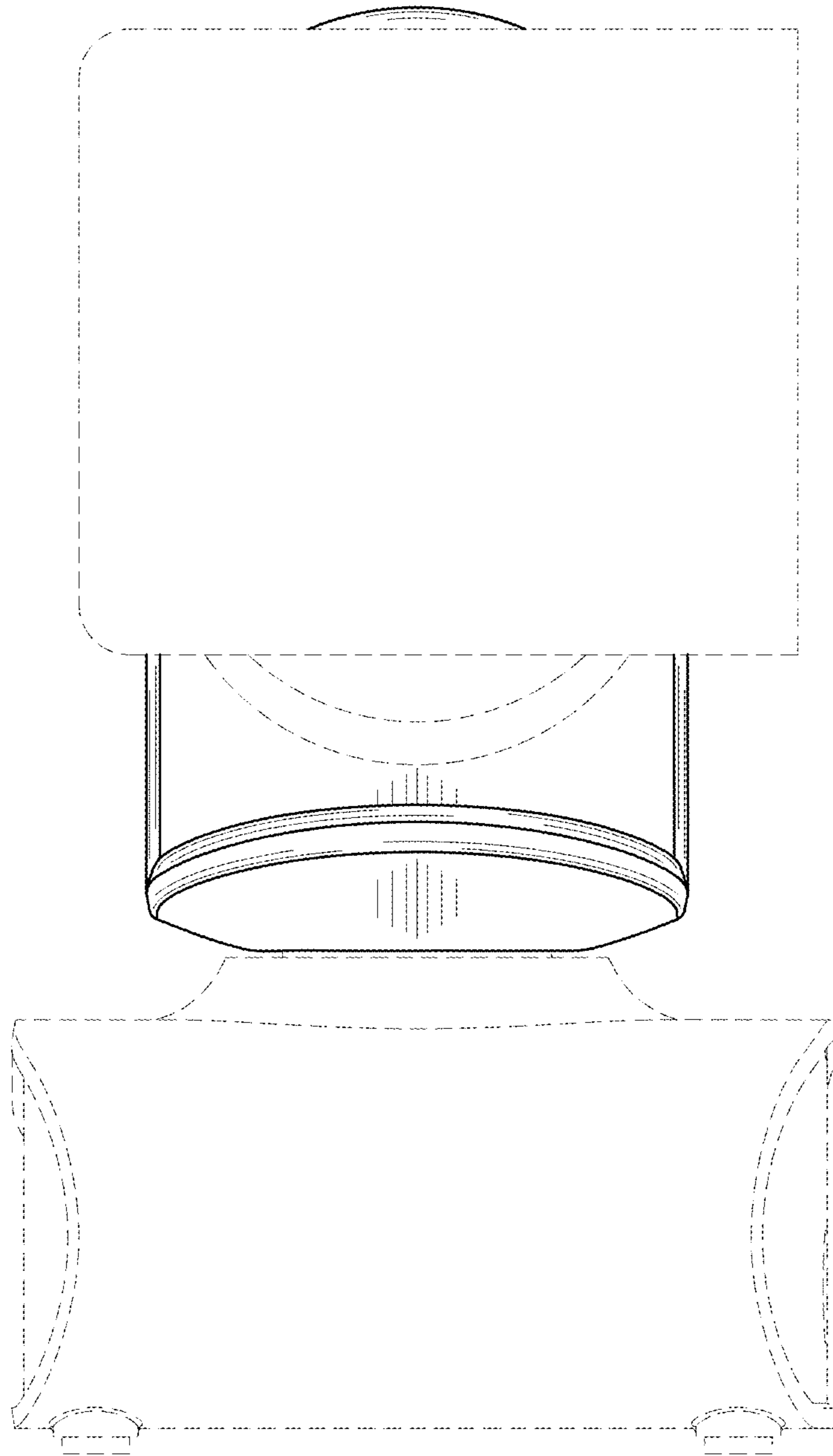


Fig. 4

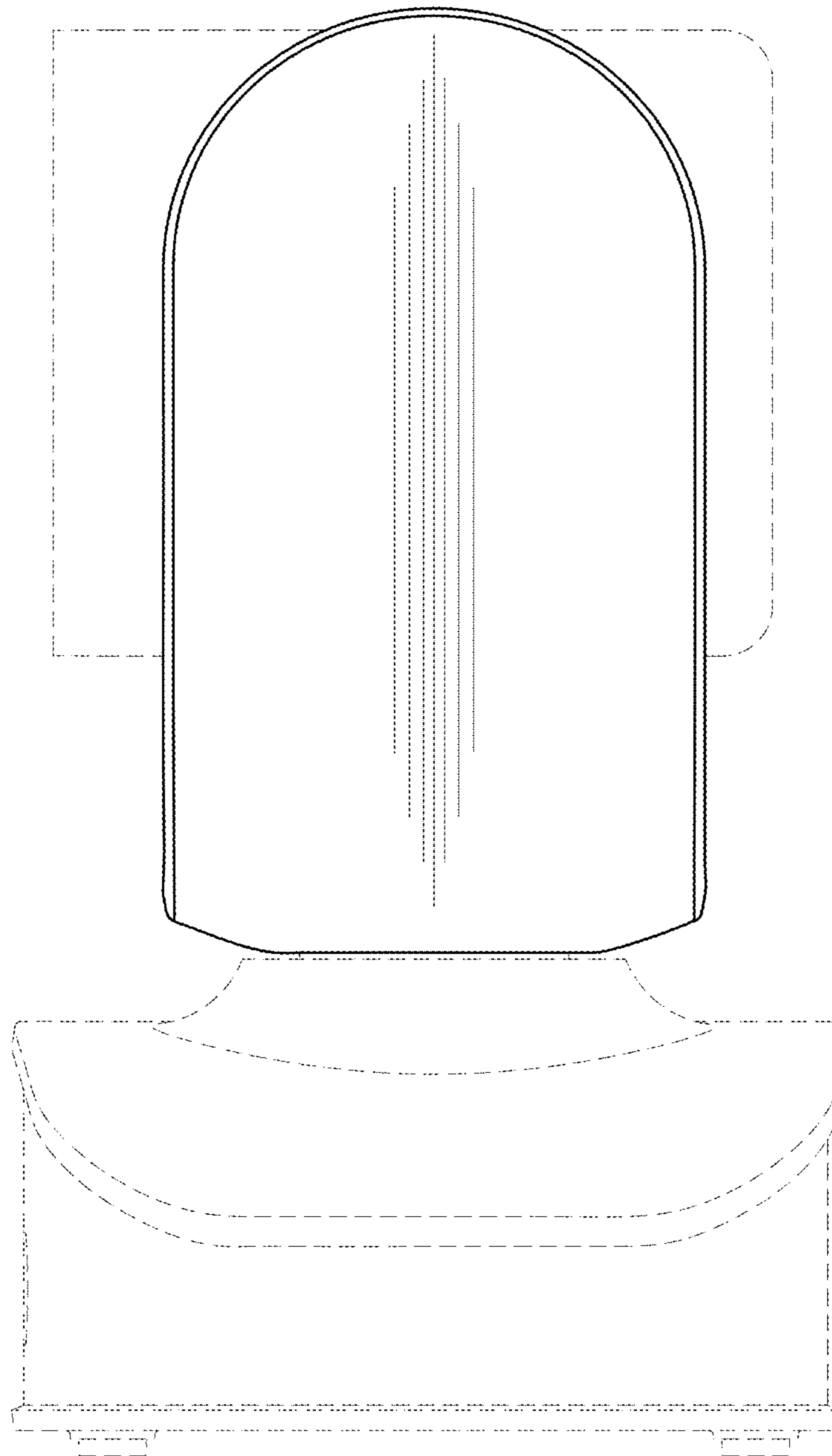


Fig. 5

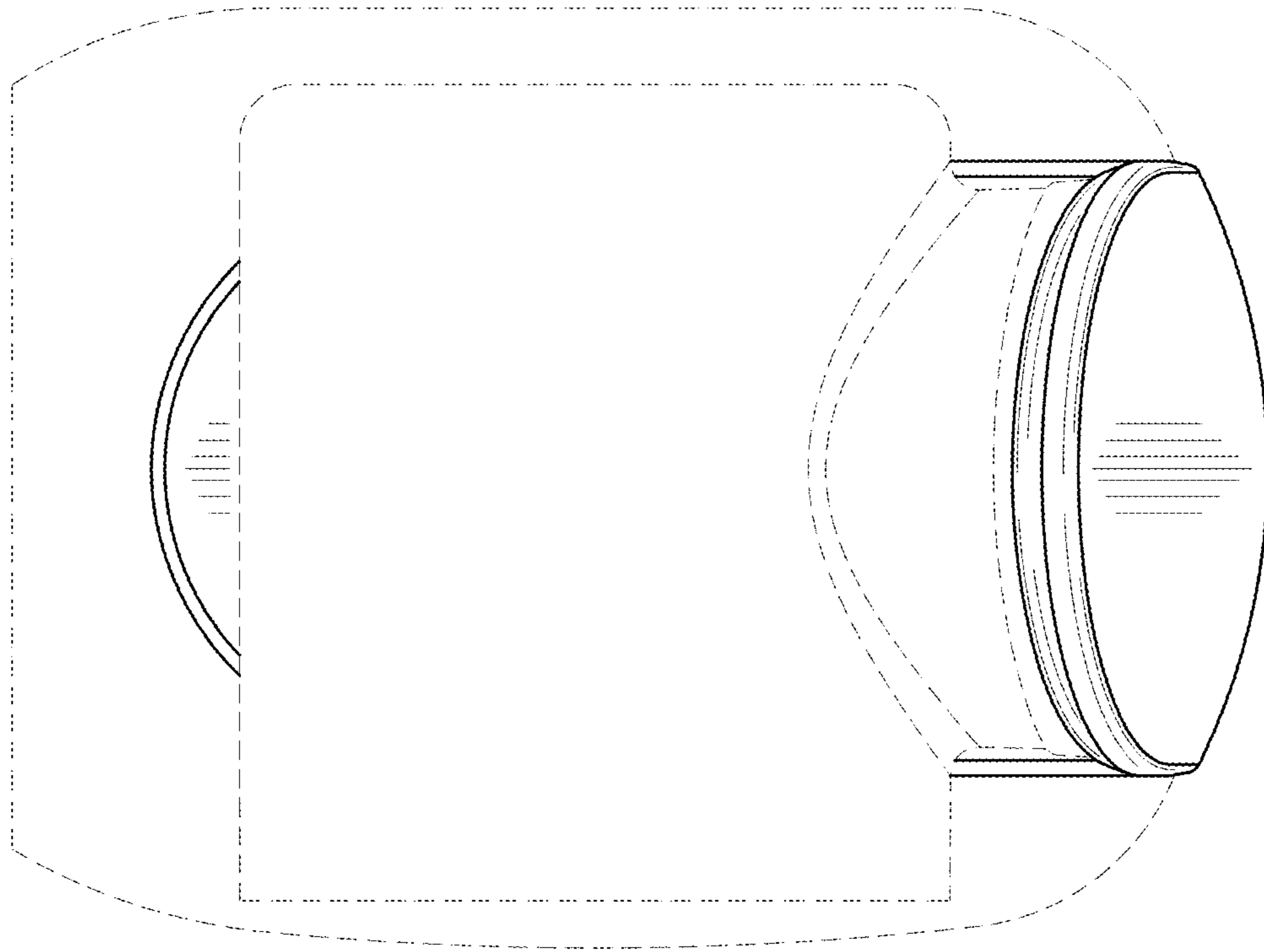


Fig. 6

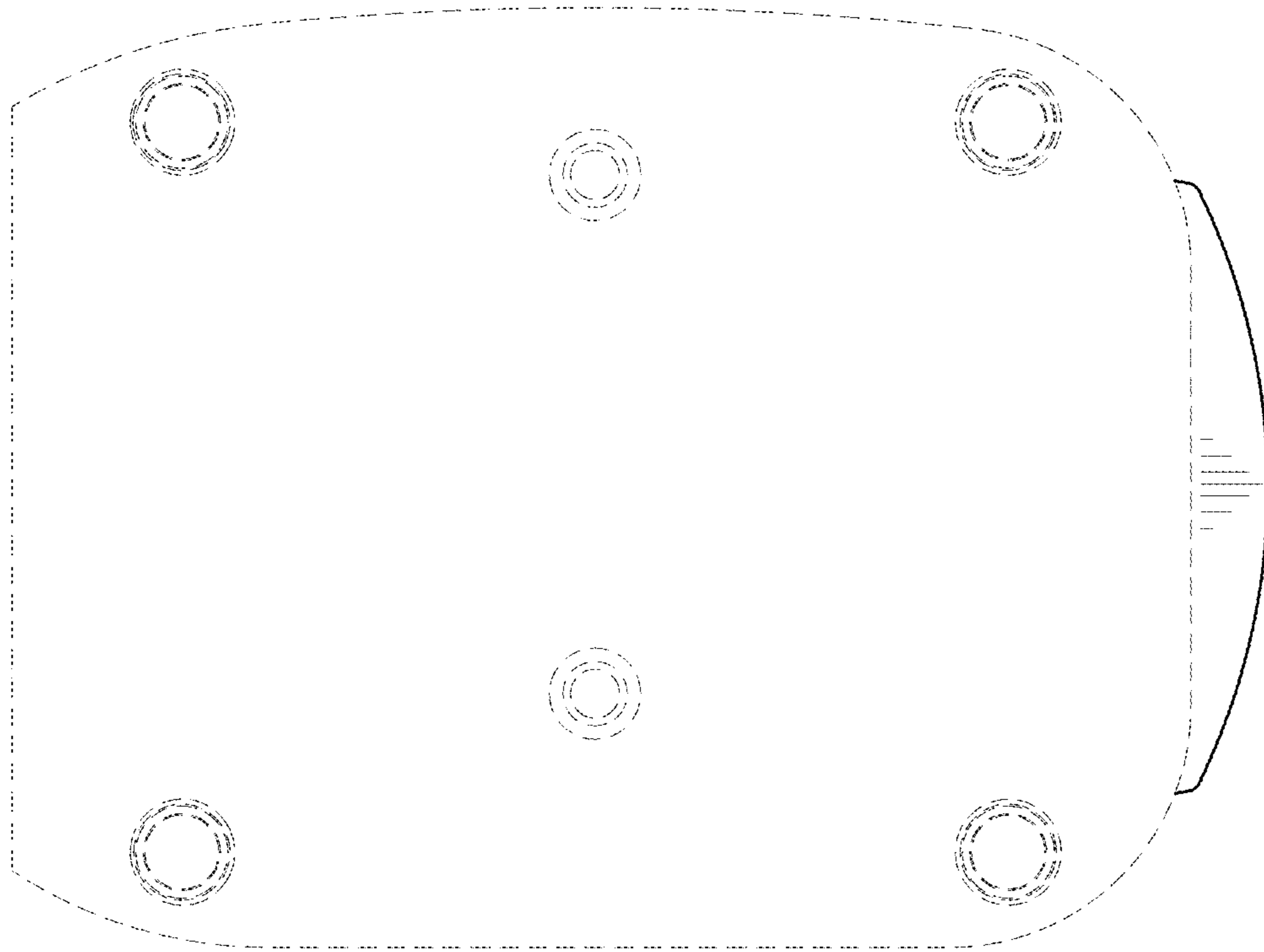


Fig. 7

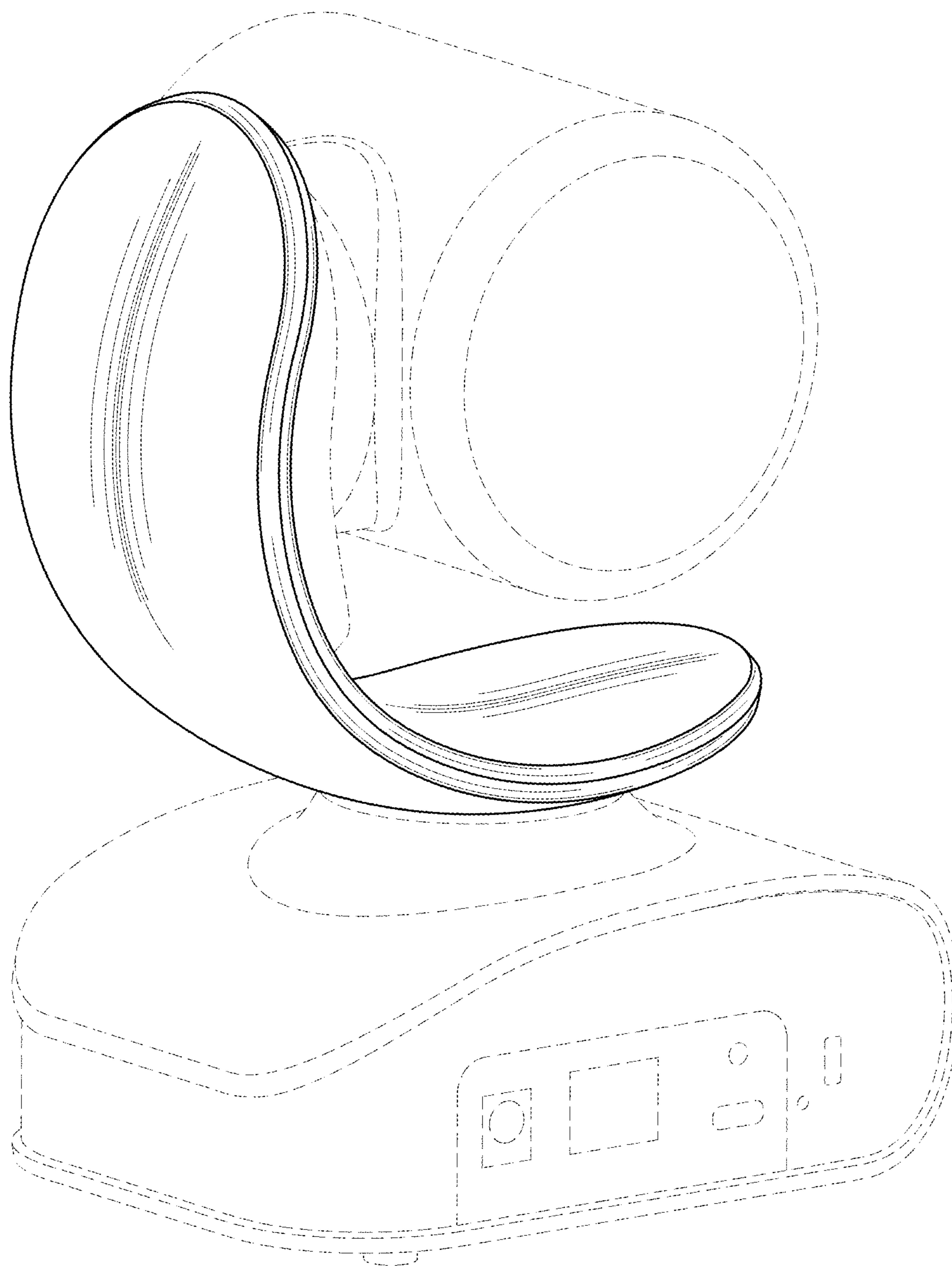


Fig. 8

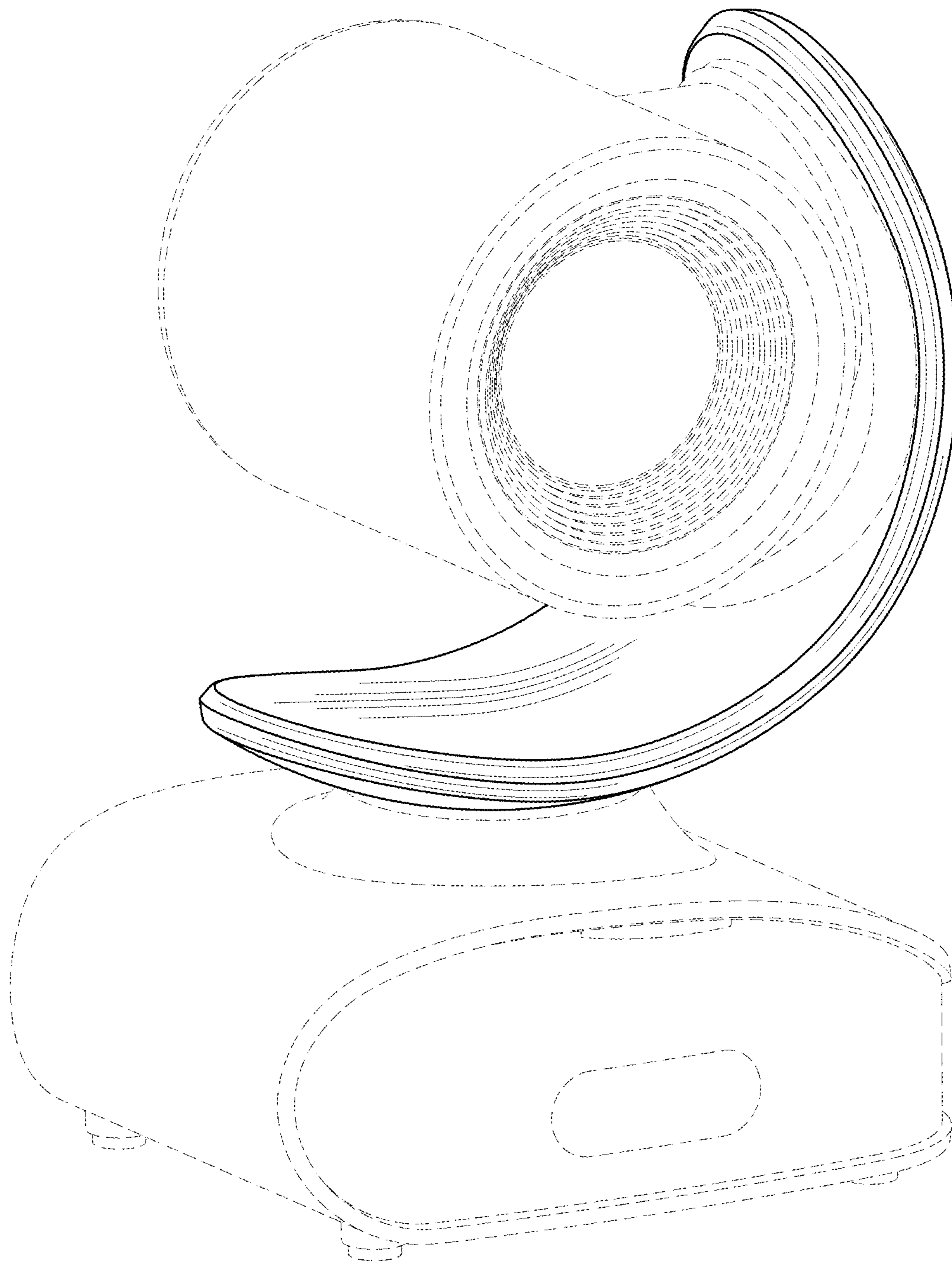


Fig. 9