



US00D878448S

(12) **United States Design Patent**
Kapuria et al.

(10) **Patent No.:** **US D878,448 S**

(45) **Date of Patent:** **** Mar. 17, 2020**

(54) **DRIVER MONITORING CAMERA**

(71) Applicant: **THE HI-TECH ROBOTIC SYSTEMZ LTD**, Gurugram, Haryana (IN)

(72) Inventors: **Anuj Kapuria**, Haryana (IN); **Ritukar Vijay**, Haryana (IN)

(73) Assignee: **THE HI-TECH ROBOTIC SYSTEMZ LTD**, Gurugram (IN)

(**) Term: **15 Years**

(21) Appl. No.: **29/648,951**

(22) Filed: **May 24, 2018**

(30) **Foreign Application Priority Data**

Dec. 22, 2017 (IN) 300601

(51) **LOC (12) Cl.** **16-01**

(52) **U.S. Cl.**
USPC **D16/208; D16/218**

(58) **Field of Classification Search**
USPC D16/200, 202–208, 218, 219, 242;
348/143, 148, 151, 373–376; 396/419,
396/427, 535, 539–541; 248/176.1, 187.1
CPC G03B 17/02; G03B 19/04; G03B 17/56;
G03B 17/04; G03B 15/03; H04N 5/2251;
H04N 5/2252; H04N 5/2253; H04N
5/2254; H04N 7/181; H04N 7/183; H04N
7/18

See application file for complete search history.

(56) **References Cited**

U.S. PATENT DOCUMENTS

D366,271 S * 1/1996 Hasegawa D16/203
D409,641 S * 5/1999 Uehara D16/202

D540,360 S * 4/2007 Yamakawa D16/203
D606,572 S * 12/2009 Samson D16/203
D612,408 S * 3/2010 Yamakawa D16/203
D613,784 S * 4/2010 Wang D16/203
D614,222 S * 4/2010 Yamakawa D16/203
D633,543 S * 3/2011 Park D16/203
D642,607 S * 8/2011 Bergstrom D16/203
D684,619 S * 6/2013 Chapple D16/203
D739,888 S * 9/2015 Liang D16/203
D826,305 S * 8/2018 Ahman D16/203
2011/0298925 A1 * 12/2011 Inoue H04N 5/2251
348/148

* cited by examiner

Primary Examiner — Ramzi S Almatrahi

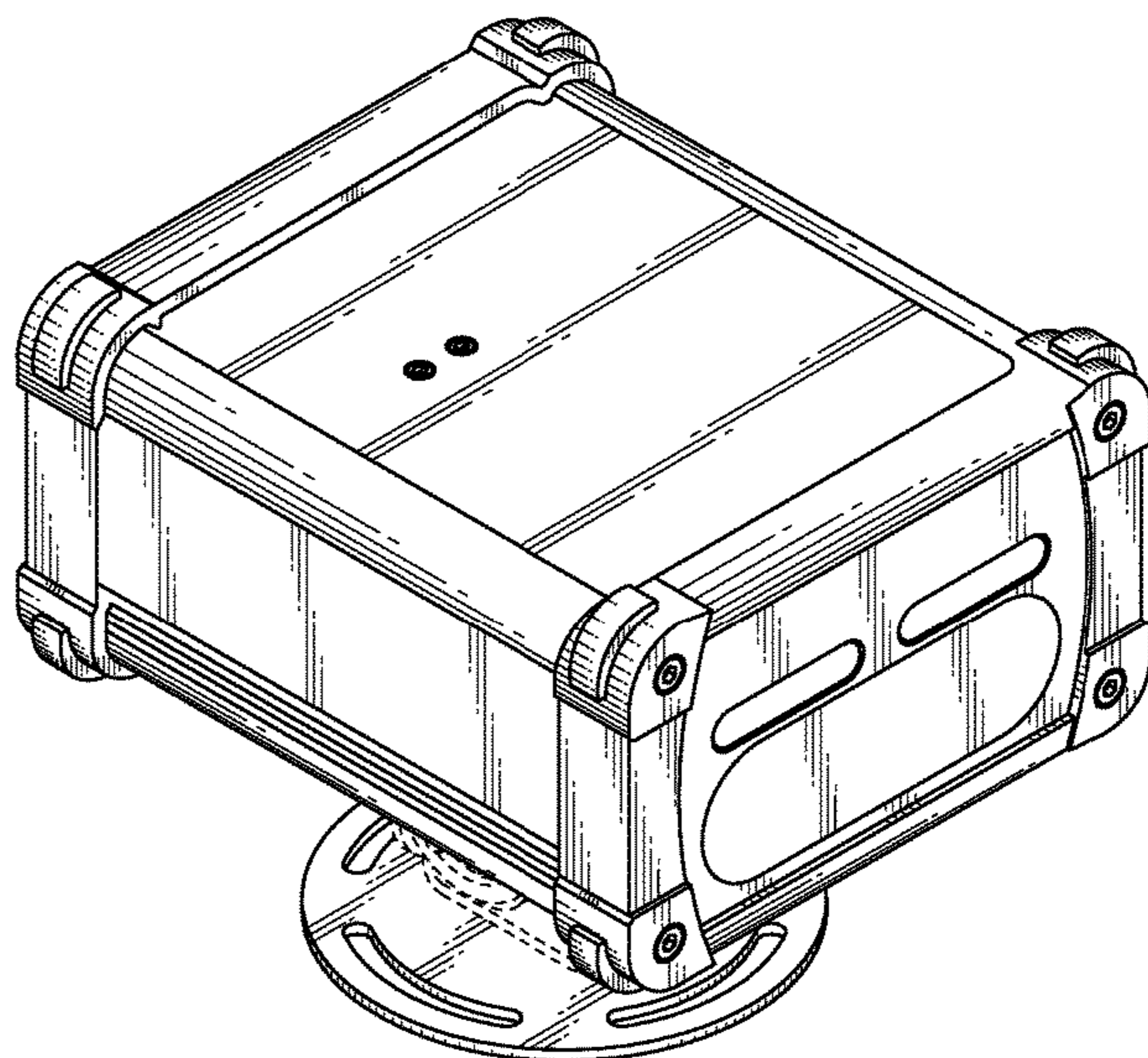
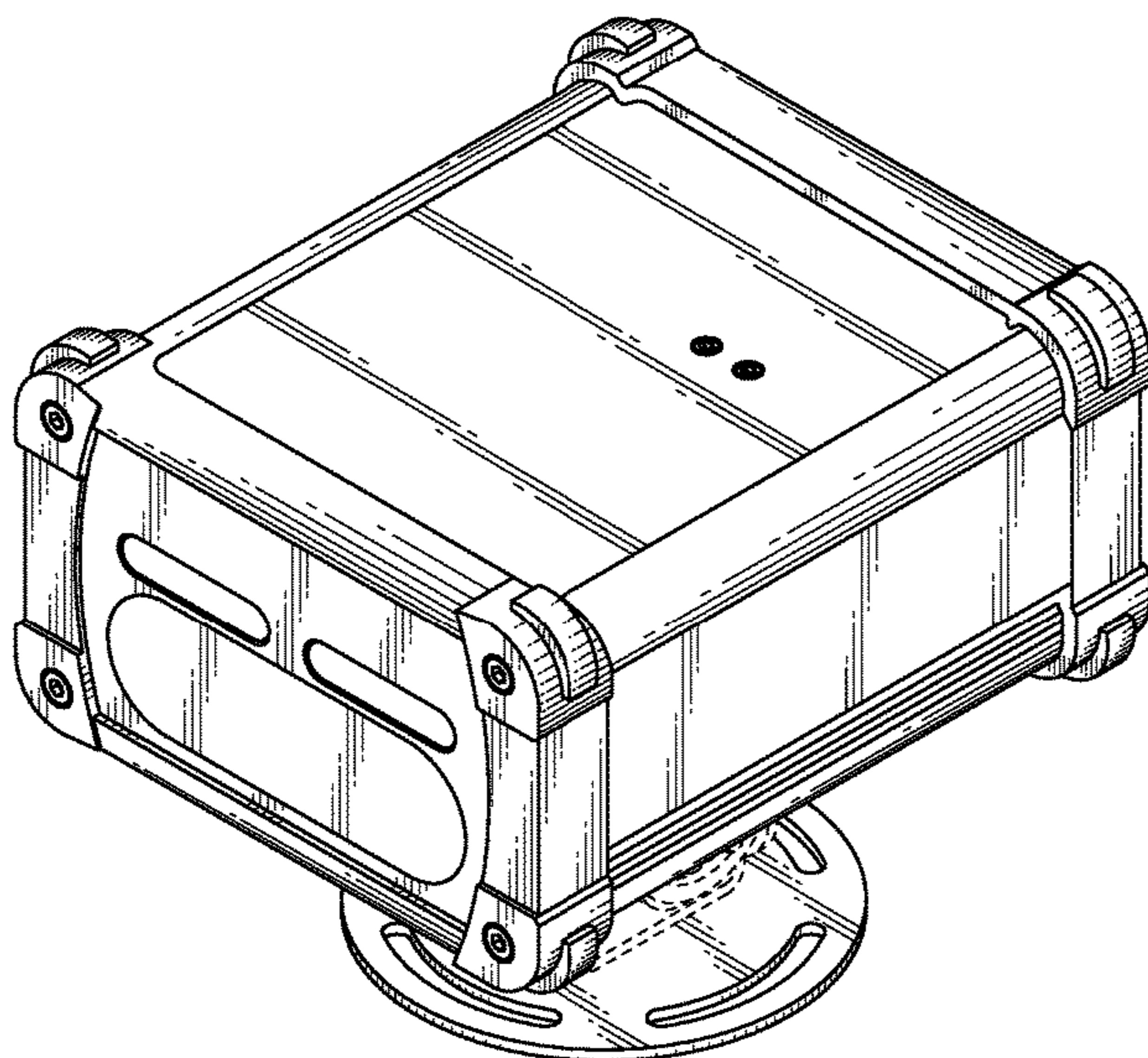
(57) **CLAIM**

The ornamental design for a driver monitoring camera, as shown and described.

DESCRIPTION

FIG. 1 is a front elevational view of a driver monitoring camera showing our new design;
FIG. 2 is a left side view thereof;
FIG. 3 is a right side view thereof;
FIG. 4 is a top plan view thereof;
FIG. 5 is a bottom plan view thereof;
FIG. 6 is a top, front and right side perspective view thereof;
and,
FIG. 7 is a top, front and left side perspective view thereof.
The broken lines depict portions of the driver monitoring camera in which the design is embodied that form no part of the claimed design.

1 Claim, 7 Drawing Sheets



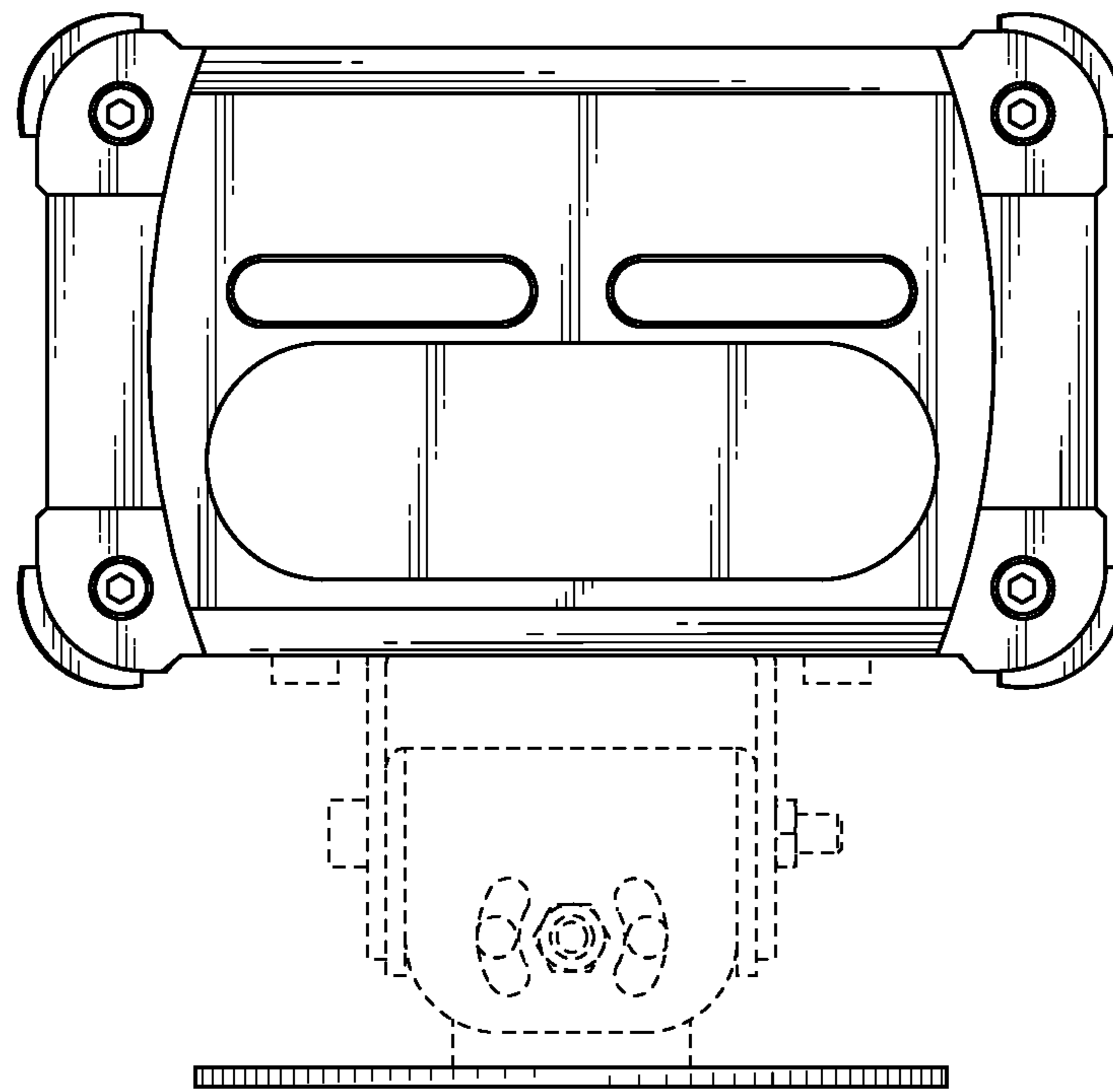


FIG.1

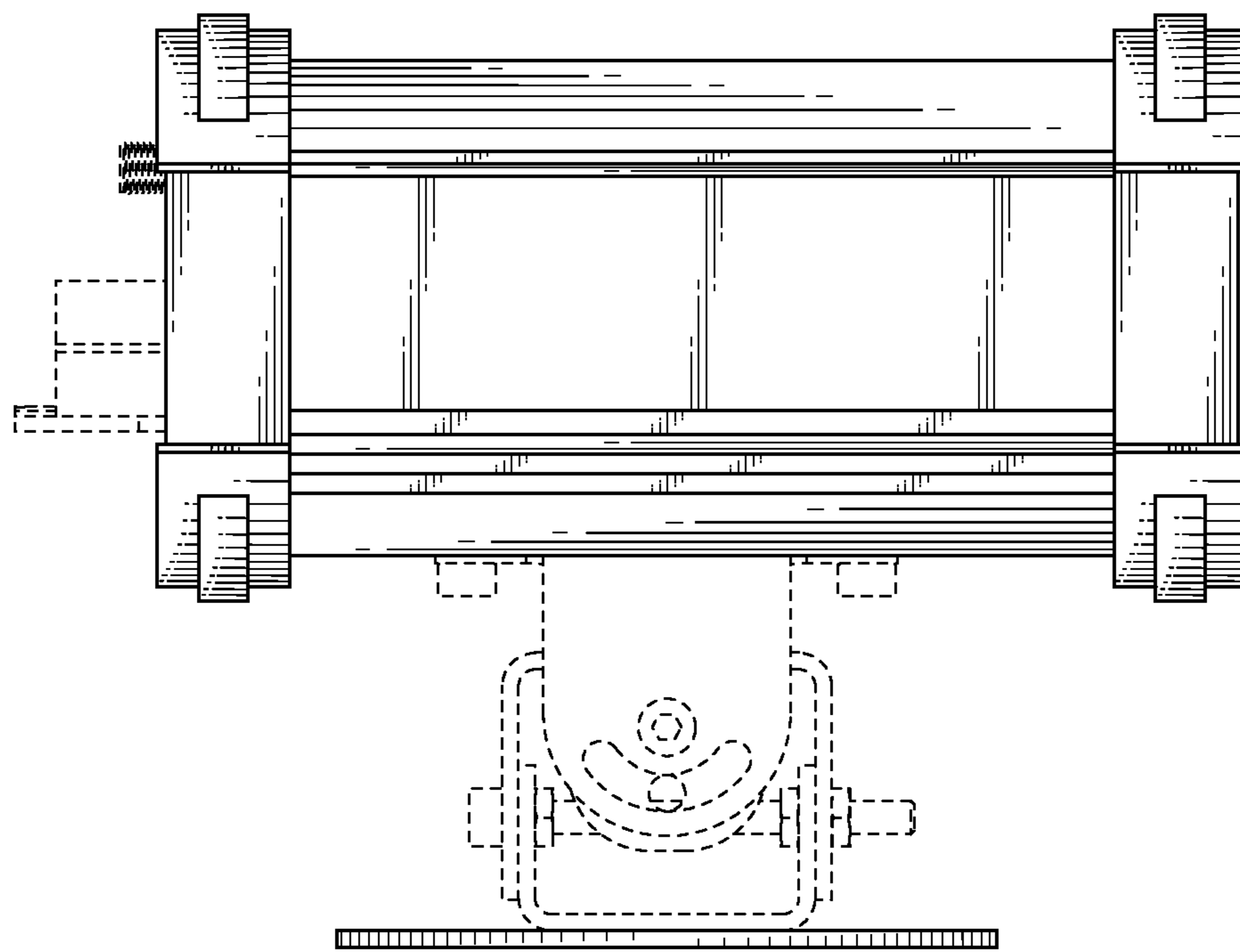


FIG.2

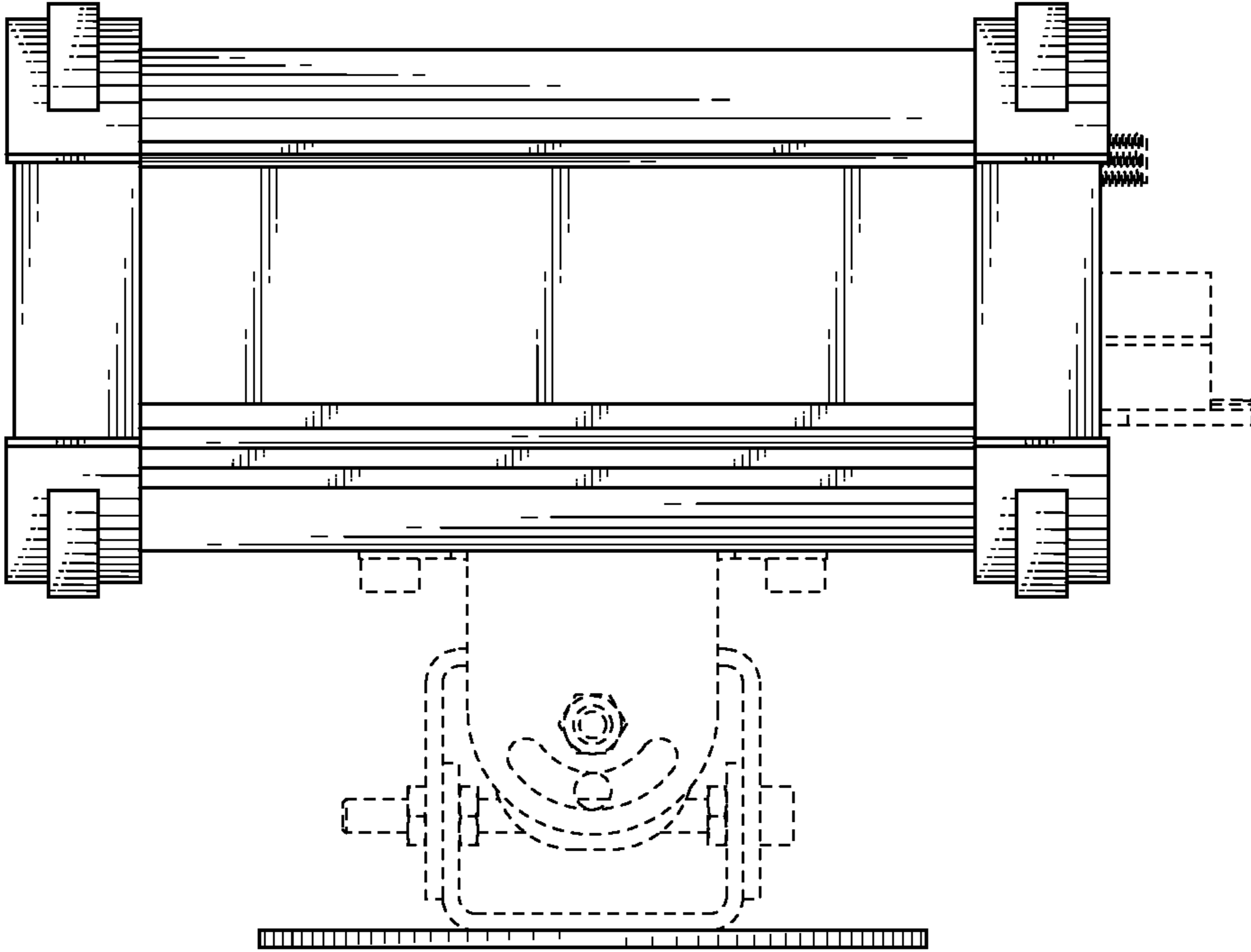


FIG.3

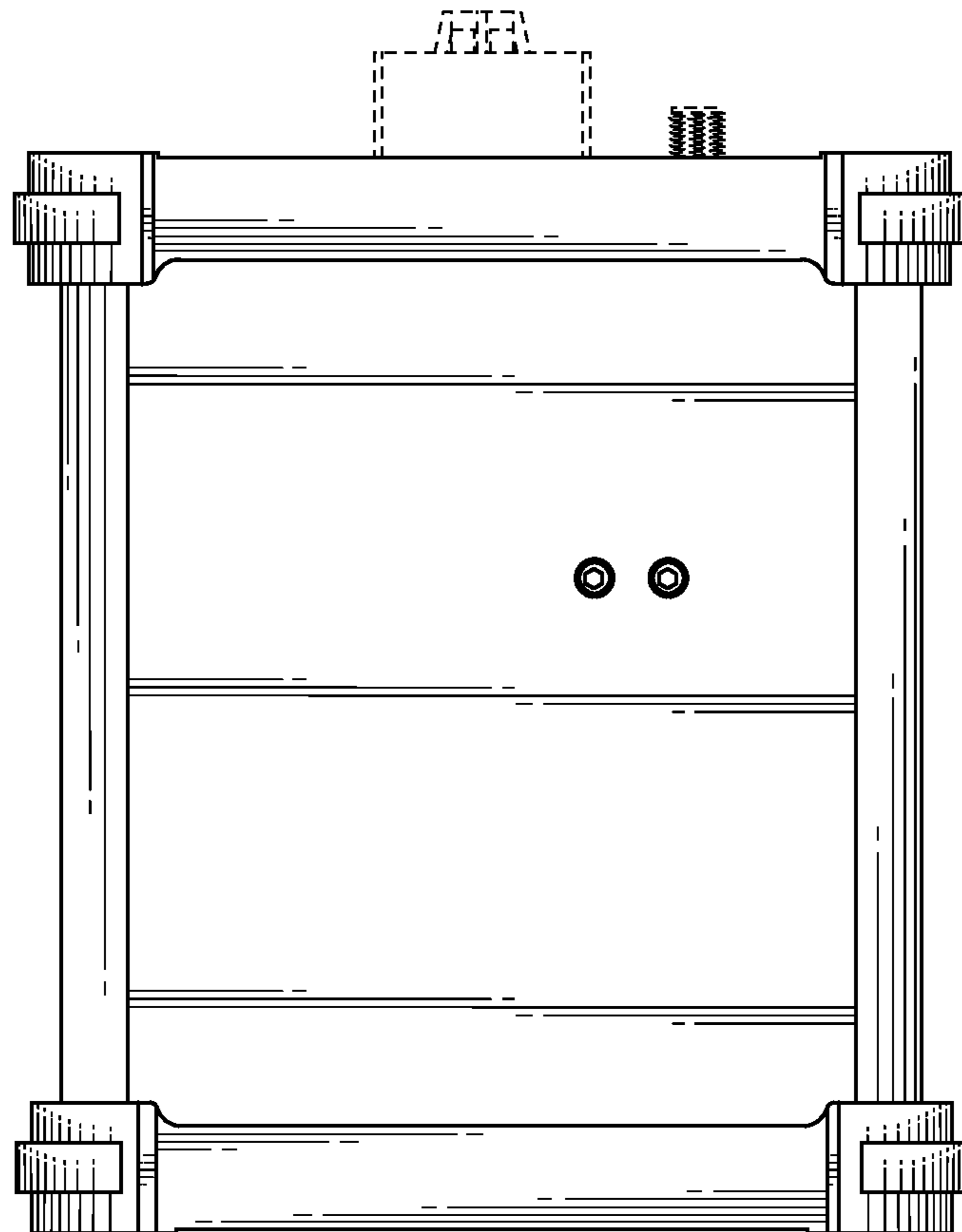


FIG.4

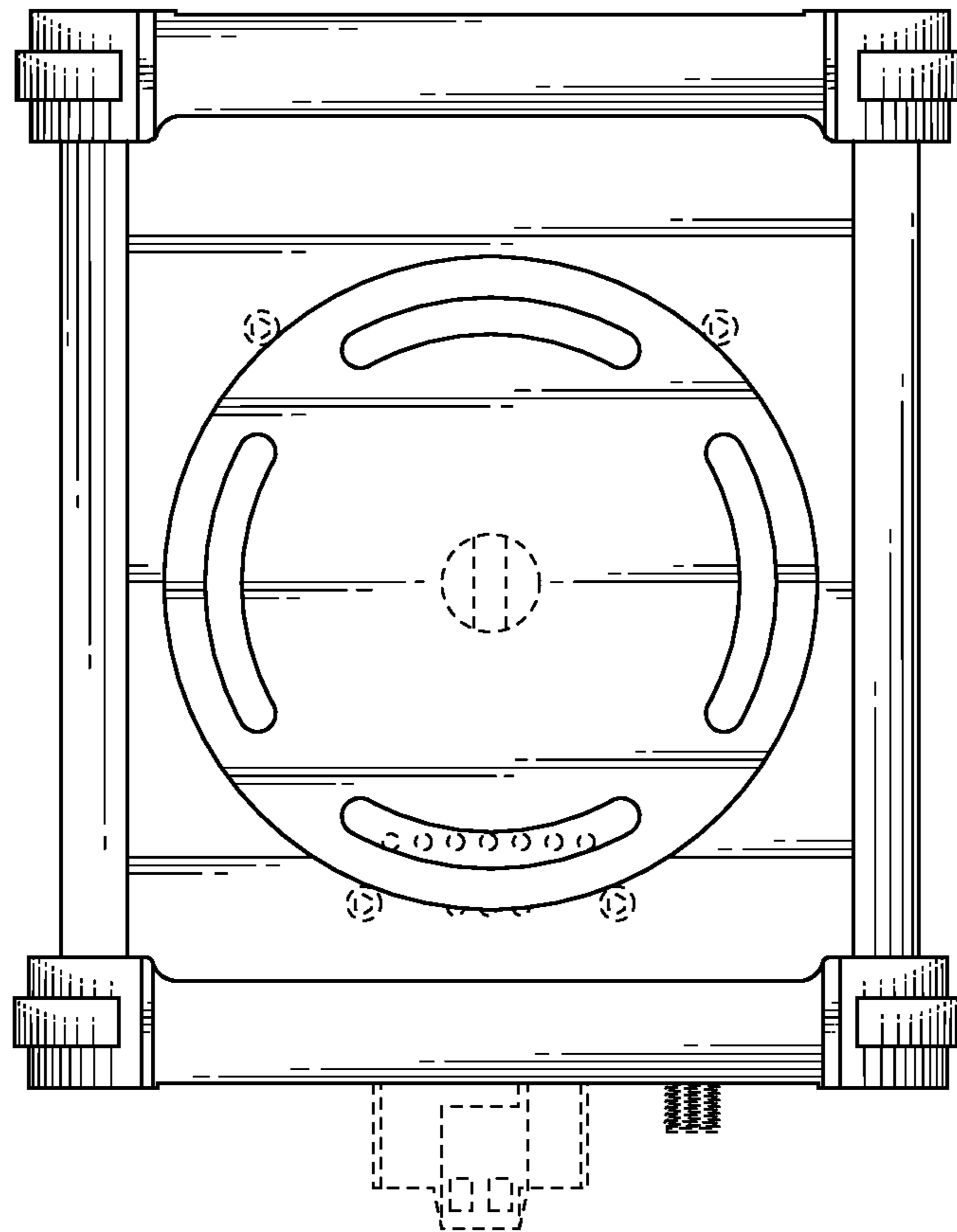


FIG.5

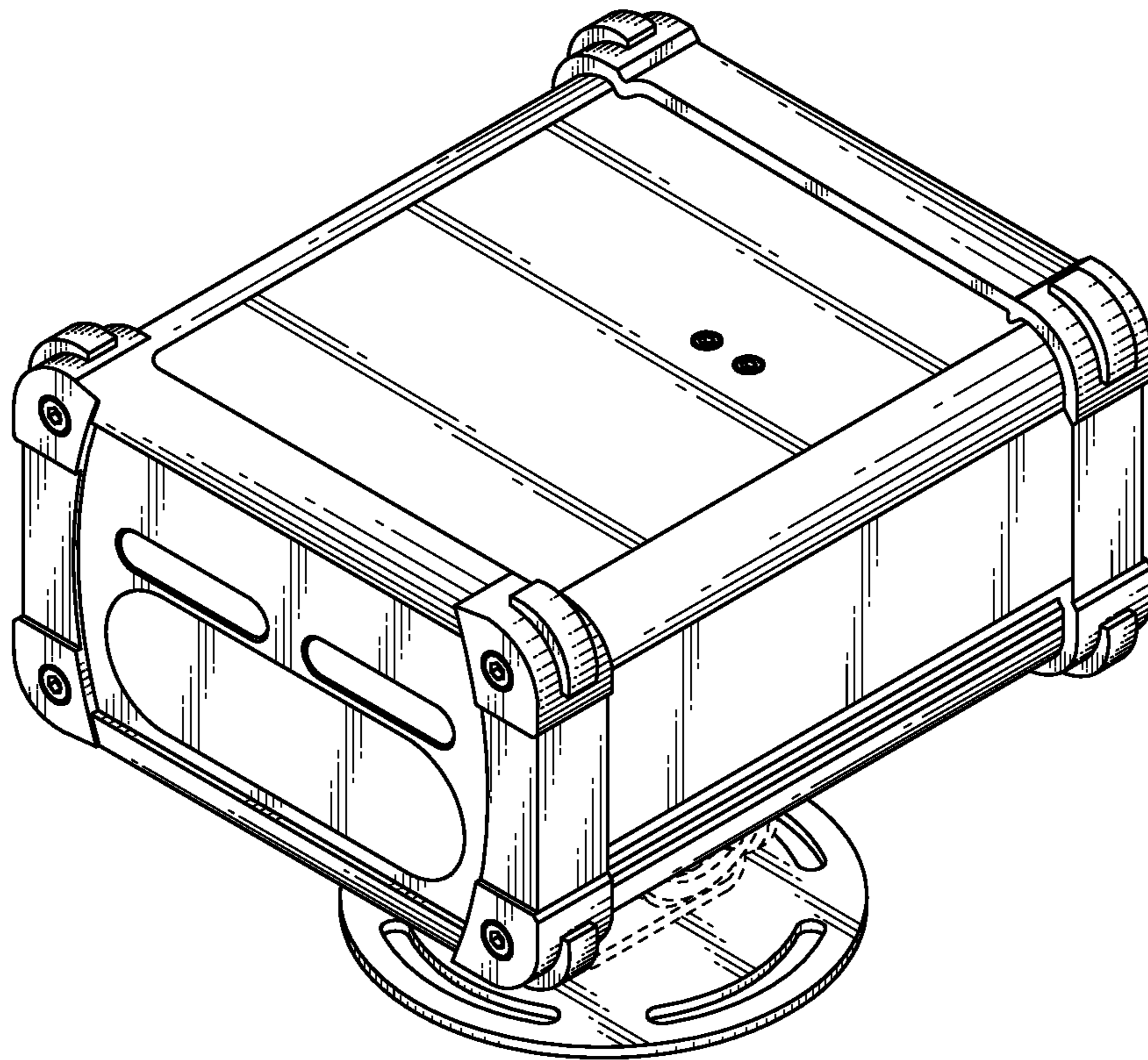


FIG.6

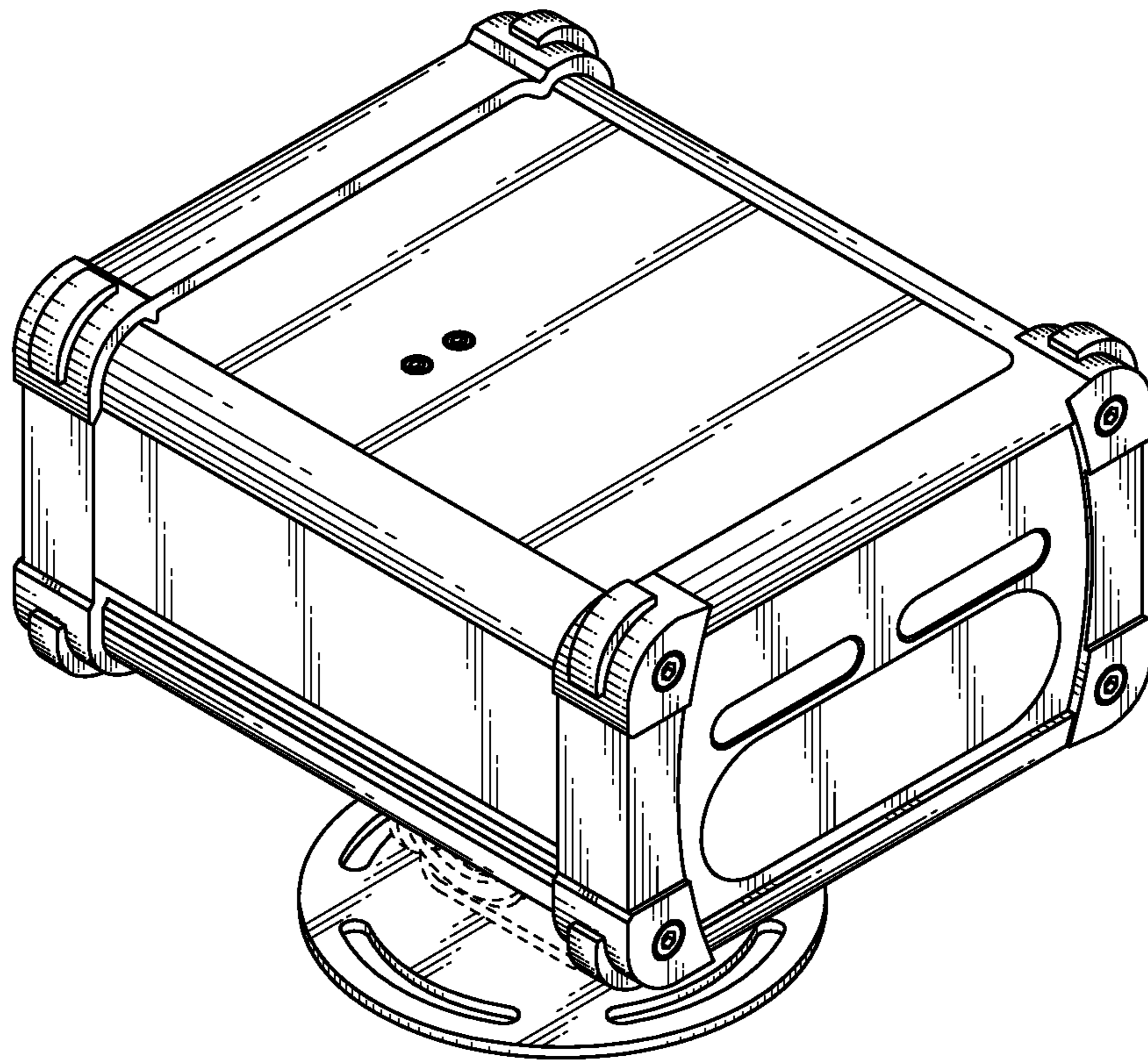


FIG.7