



US00D878445S

(12) **United States Design Patent**
Thomason

(10) **Patent No.:** **US D878,445 S**
(45) **Date of Patent:** **** Mar. 17, 2020**

(54) **TRAIL CAMERA**

- (71) Applicant: **Bushnell Inc.**, Overland Park, KS (US)
- (72) Inventor: **Jacob Thomason**, Olathe, KS (US)
- (73) Assignee: **BUSHNELL INC.**, Overland Park, KS (US)

(**) Term: **15 Years**

(21) Appl. No.: **29/633,972**

(22) Filed: **Jan. 17, 2018**

(51) **LOC (12) Cl.** **16-01**

(52) **U.S. Cl.**
USPC **D16/203**; D16/202

(58) **Field of Classification Search**
USPC D16/200–220, 131, 237, 242, 239, 250,
D16/235, 130, 134, 136, 238;
D14/138 C, 240, 248, 203.1, 203.3,
D14/203.7; D10/104.1, 50, 65, 74, 70,
D10/118.2

CPC ... G02B 7/02; G02B 7/04; G02B 7/14; G02B
3/14; G03B 17/00; G03B 17/02; G03B
17/56; G03B 17/04; G03B 17/14; G03B
15/03; G03B 9/08; H04N 5/2251; H04N
5/2252; H04N 5/2253; H04N 5/2254;
H04N 7/00; H04N 2101/00; F16M 13/00
See application file for complete search history.

(56) **References Cited**

U.S. PATENT DOCUMENTS

D335,765 S *	5/1993	VanSkiver	D3/268
D531,067 S *	10/2006	Baumgaertner	D10/65
D588,481 S *	3/2009	Ishii	D10/66
D616,009 S *	5/2010	Schnell	D16/218
D616,479 S *	5/2010	Ganahl, Jr.	D16/204
D622,749 S *	8/2010	Lian	D16/203
D624,106 S *	9/2010	Cho	D16/203
D630,236 S *	1/2011	Lian	D16/203
D655,735 S *	3/2012	Barley	D16/203
D674,428 S *	1/2013	Woodman	D16/207
D674,833 S *	1/2013	Cuddeback	D16/203

(Continued)

FOREIGN PATENT DOCUMENTS

CN 302373072 * 3/2013
CN 302497494 * 7/2013

(Continued)

OTHER PUBLICATIONS

Bushnell Impulse Cellular Trail Camera (Verizon), date unknown [online], [retrieved Jun. 9, 2019], Available from Internet, URL: https://www.bhphotovideo.com/c/product/1432423-REG/bushnell_119900v_impulse_cellular_no_glow_trail.html/?ap=y&gclid=EAlalQobChMI4viTgsnQ4gIVikgNCh02EQdaEAQYByABEgJFjvD_BwE&Isft=BI%3A514&*

Primary Examiner — T Chase Nelson

Assistant Examiner — Mary Claire Ramirez

(74) *Attorney, Agent, or Firm* — Richard A. Graham;
Gerard M. Donovan; Reed Smith LLP

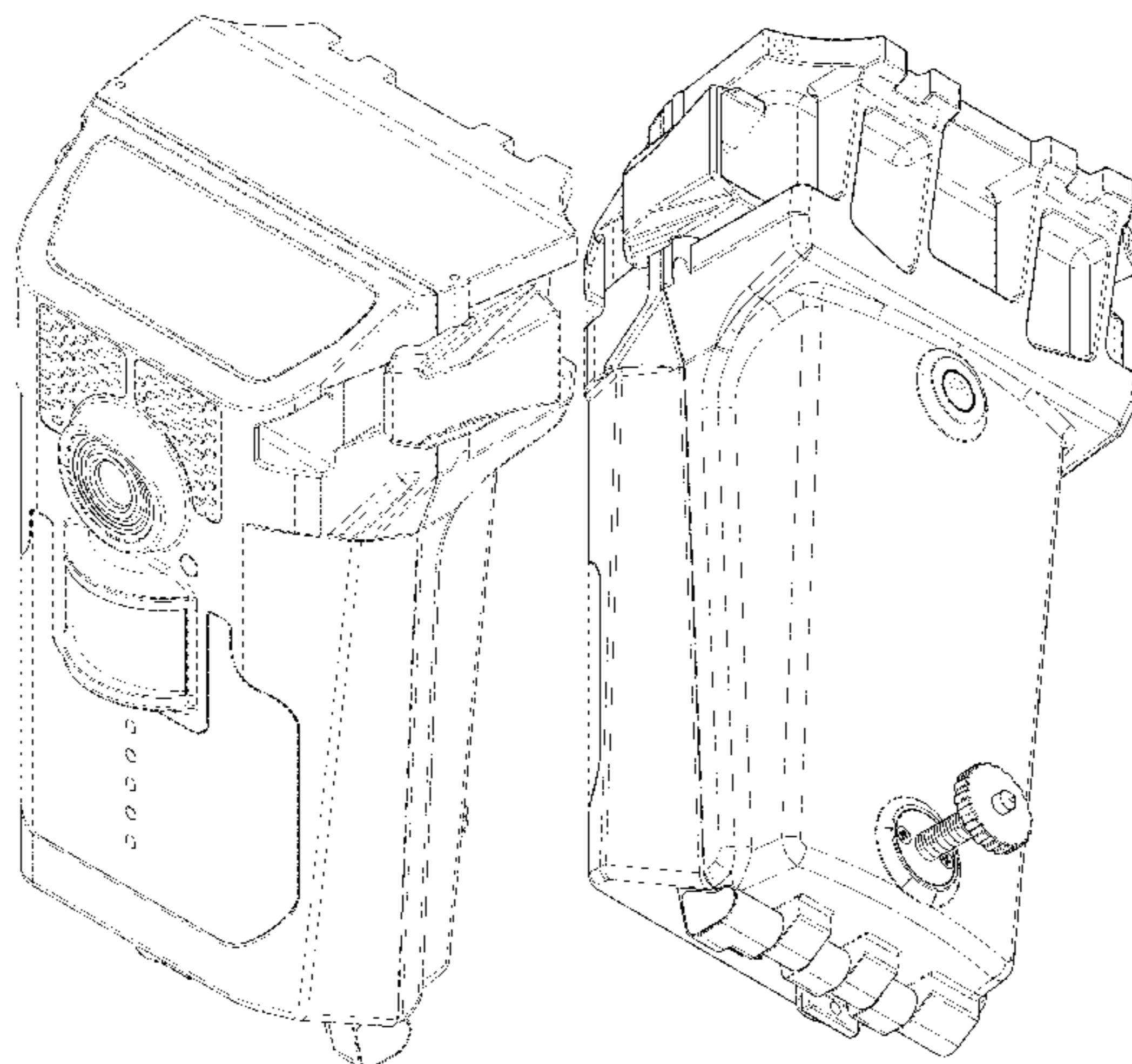
(57) **CLAIM**

The ornamental design for a trail camera, as shown and described.

DESCRIPTION

FIG. 1 is as top, front perspective view of a trail camera showing the new design;
FIG. 2 is a bottom, front perspective view thereof;
FIG. 3 is a top, rear perspective view thereof;
FIG. 4 is a bottom, rear perspective view thereof;
FIG. 5 is a front elevational view thereof;
FIG. 6 is a left side elevational view thereof;
FIG. 7 is a right side elevational view thereof;
FIG. 8 is a top plan view thereof;
FIG. 9 is a bottom plan view thereof; and,
FIG. 10 is a rear elevational view thereof.
The broken lines shown in the drawings depict portions of the trail camera that form no part of the claimed design.

1 Claim, 10 Drawing Sheets



(56)

References Cited

U.S. PATENT DOCUMENTS

D684,619 S * 6/2013 Chapple D16/203
 D708,969 S * 7/2014 Ishii D10/65
 8,810,718 B1 * 8/2014 Cuddeback H04N 5/23245
 348/370
 D723,608 S * 3/2015 Kim D16/219
 8,974,128 B2 * 3/2015 Cuddeback G03B 17/561
 396/419
 D735,259 S * 7/2015 Vermaak D16/218
 D740,144 S * 10/2015 Lamer D10/78
 D741,388 S * 10/2015 Register D16/202
 9,154,755 B2 * 10/2015 Nemura G03B 21/142
 D775,975 S * 1/2017 Jacoby D10/50
 9,759,989 B1 * 9/2017 Edmunds G03B 17/561
 D820,338 S * 6/2018 Wu D16/203
 D828,427 S * 9/2018 Wu D16/203
 D833,506 S * 11/2018 Chen D16/218
 D838,306 S * 1/2019 Yu D16/218
 D838,763 S * 1/2019 Yu D16/218
 10,240,895 B2 * 3/2019 Kokoruda F41C 33/06
 D850,308 S * 6/2019 Yun D10/78
 2009/0317069 A1 * 12/2009 Yim G03B 17/08
 396/27
 2012/0327225 A1 * 12/2012 Barley H04N 7/185
 348/143
 2013/0188047 A1 * 7/2013 Slevin H04N 7/183
 348/143

FOREIGN PATENT DOCUMENTS

CN 305054217 * 3/2019
 EM 005504701-0001 * 7/2018

* cited by examiner

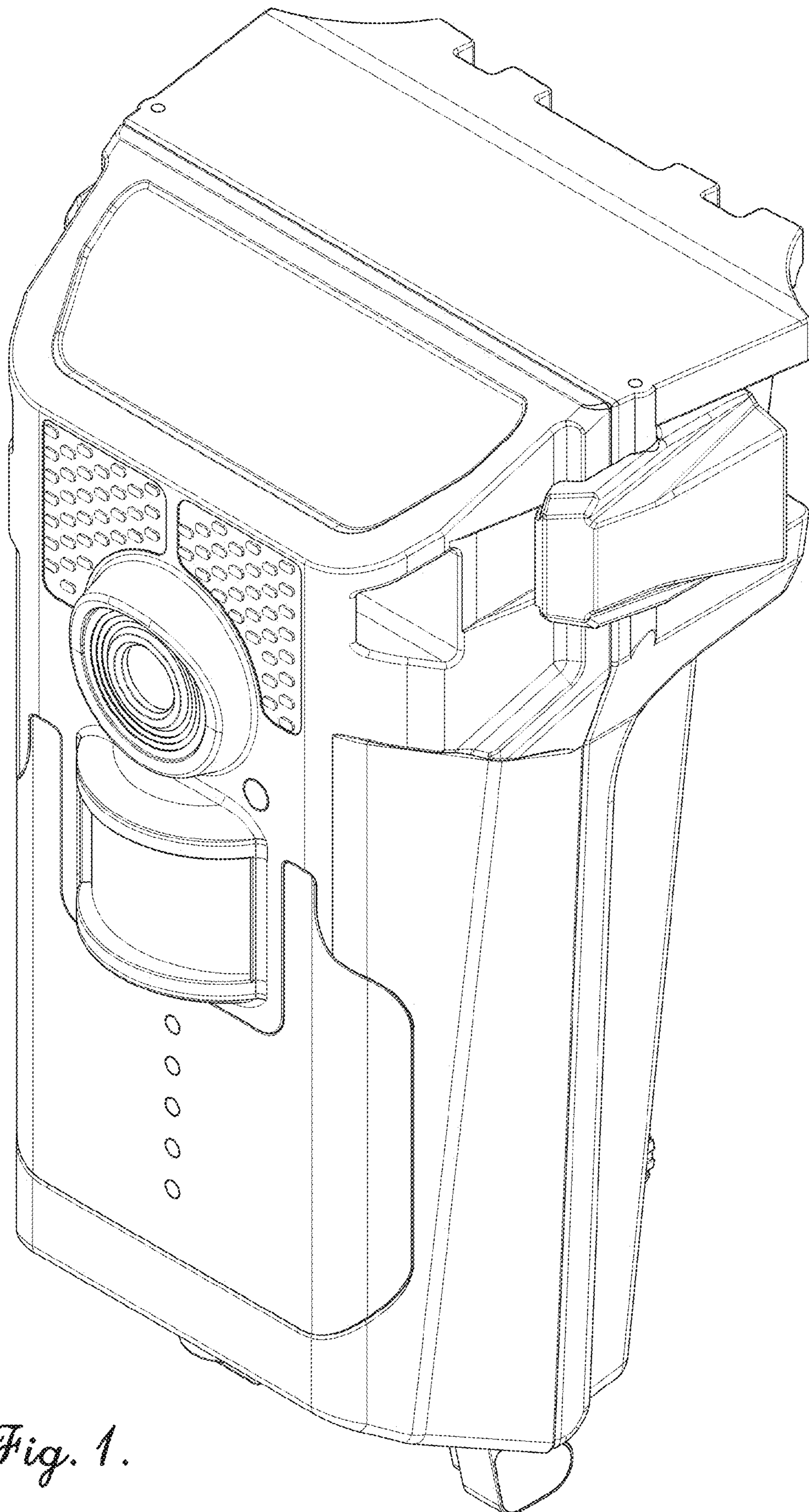


Fig. 1.

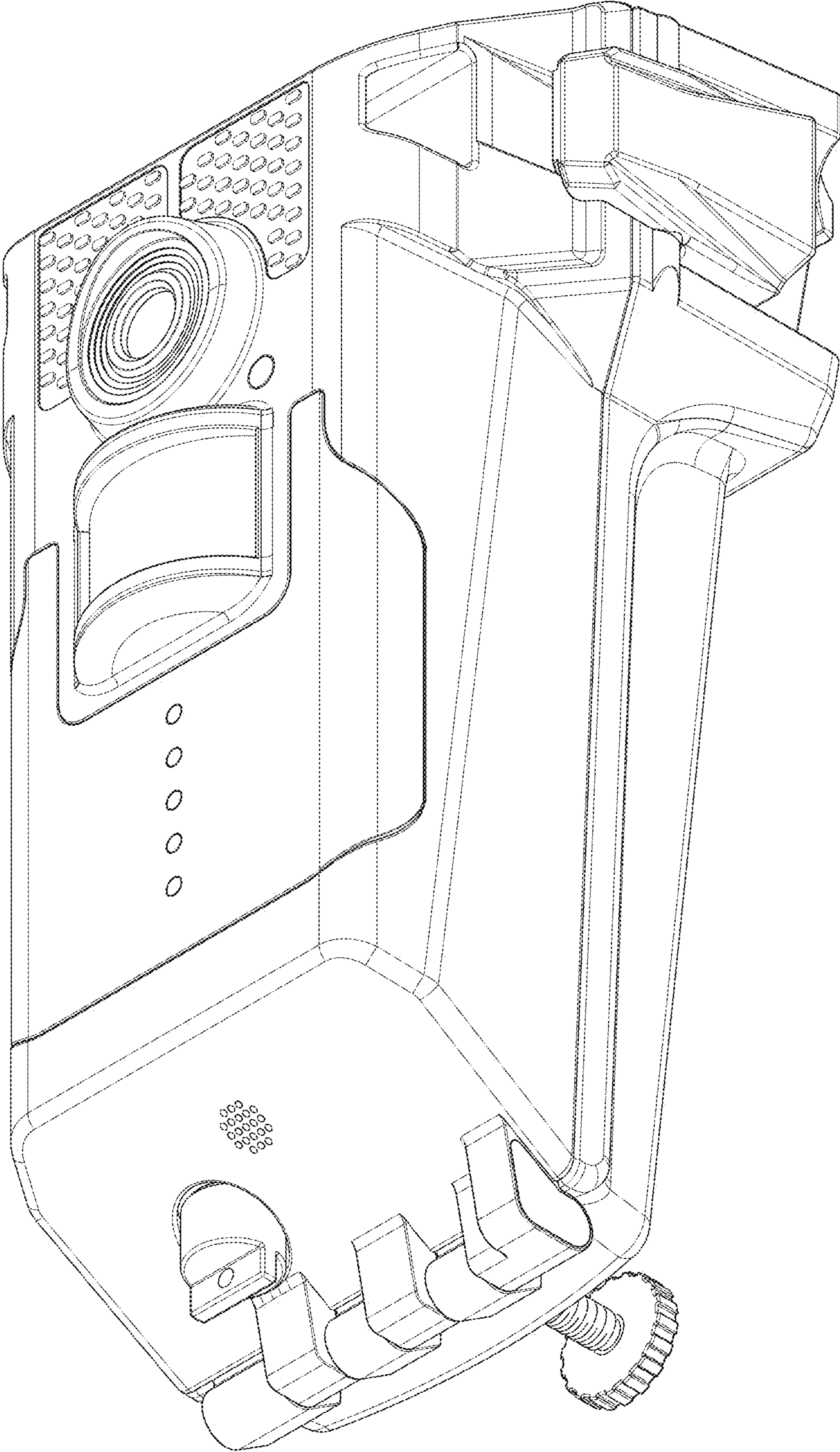


Fig. 2.

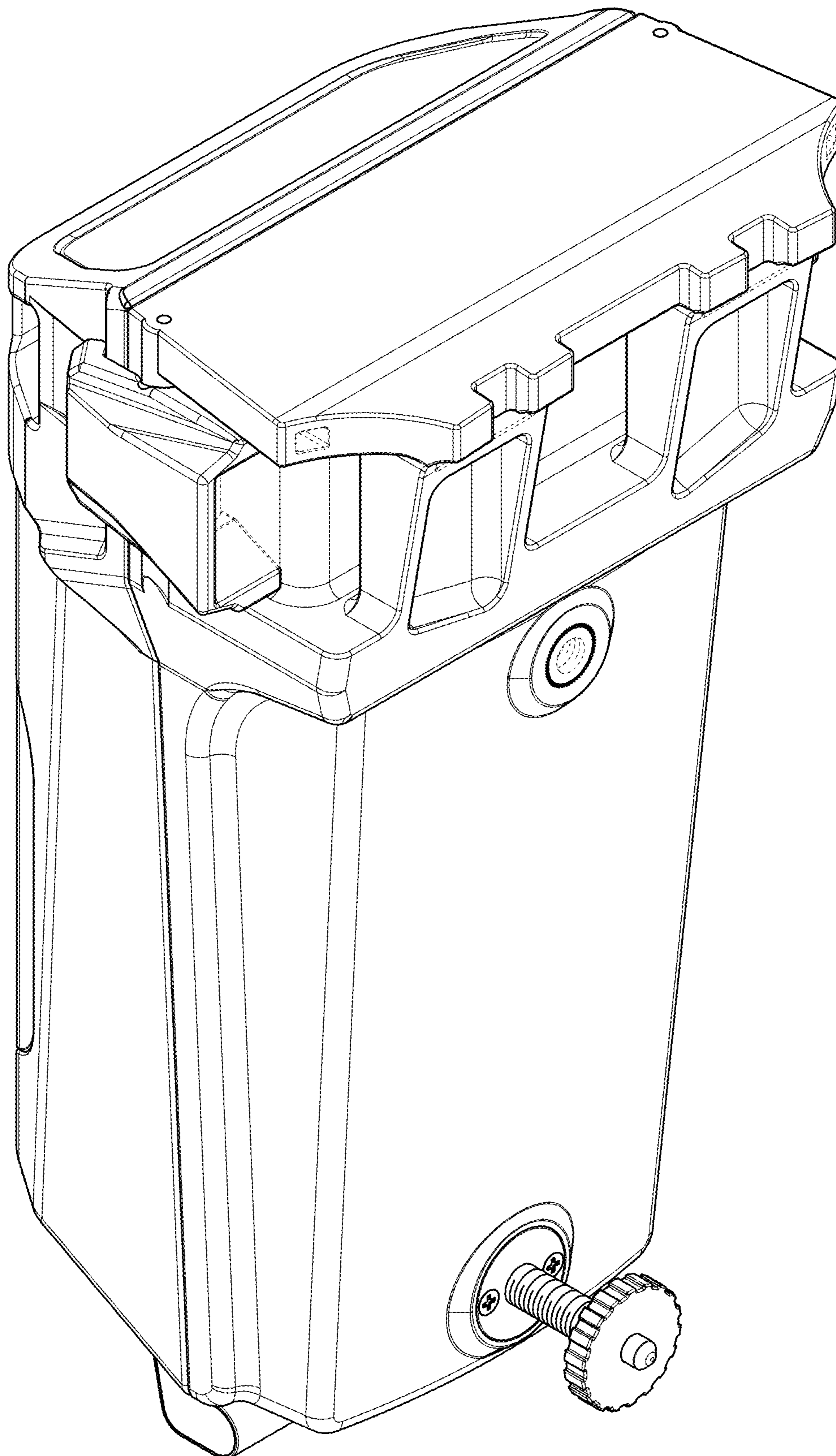


Fig. 3

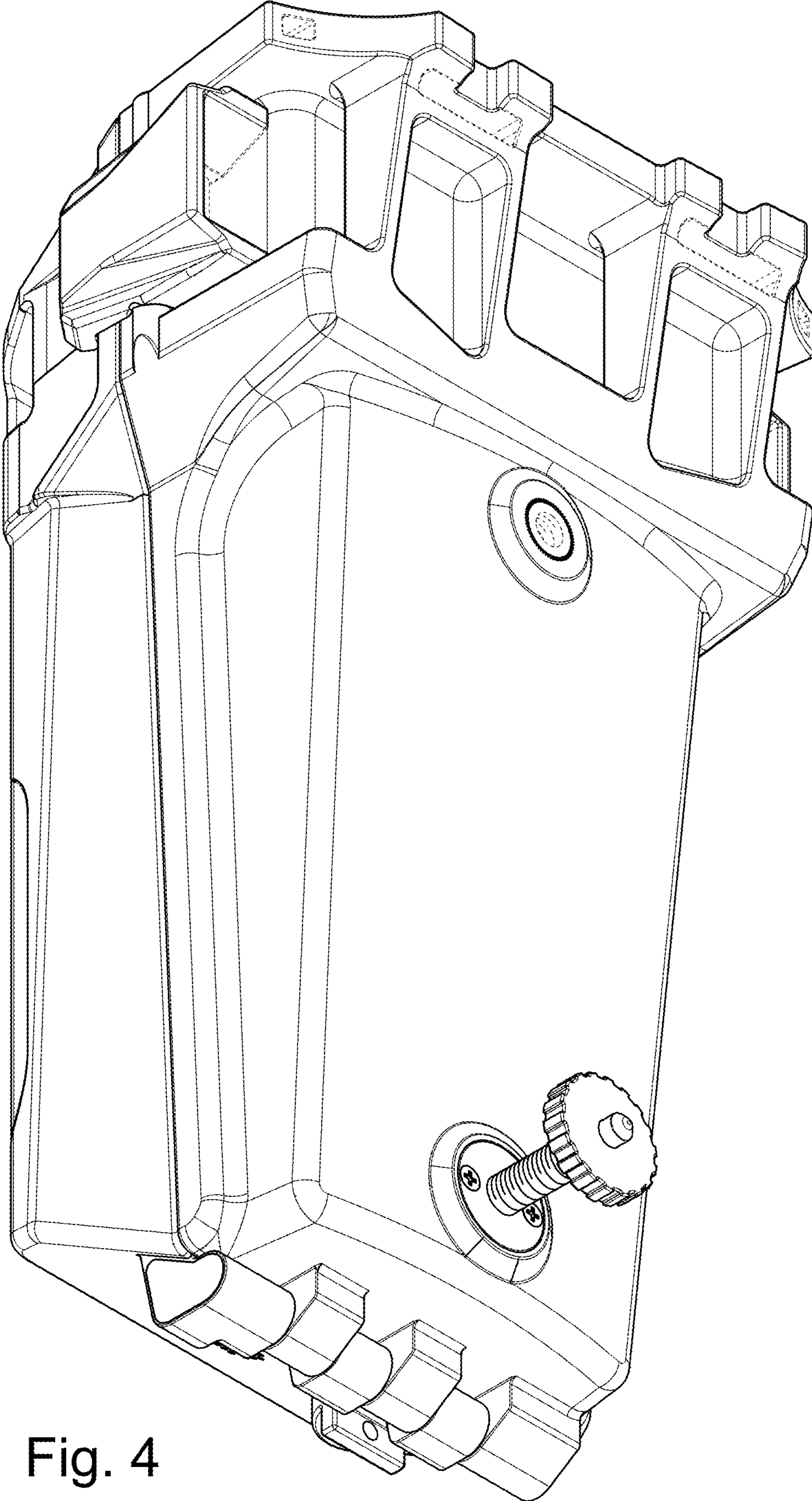


Fig. 4

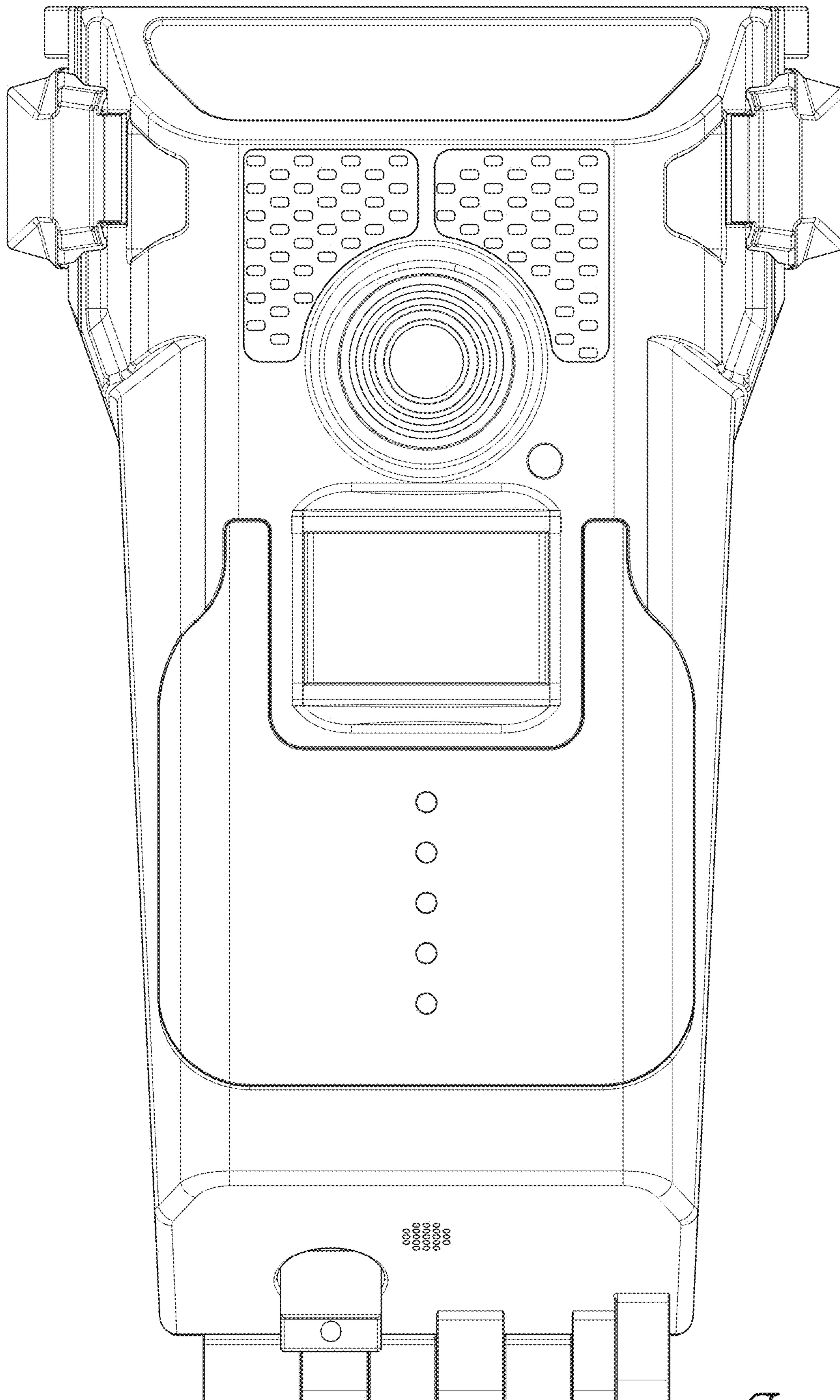


Fig. 5.

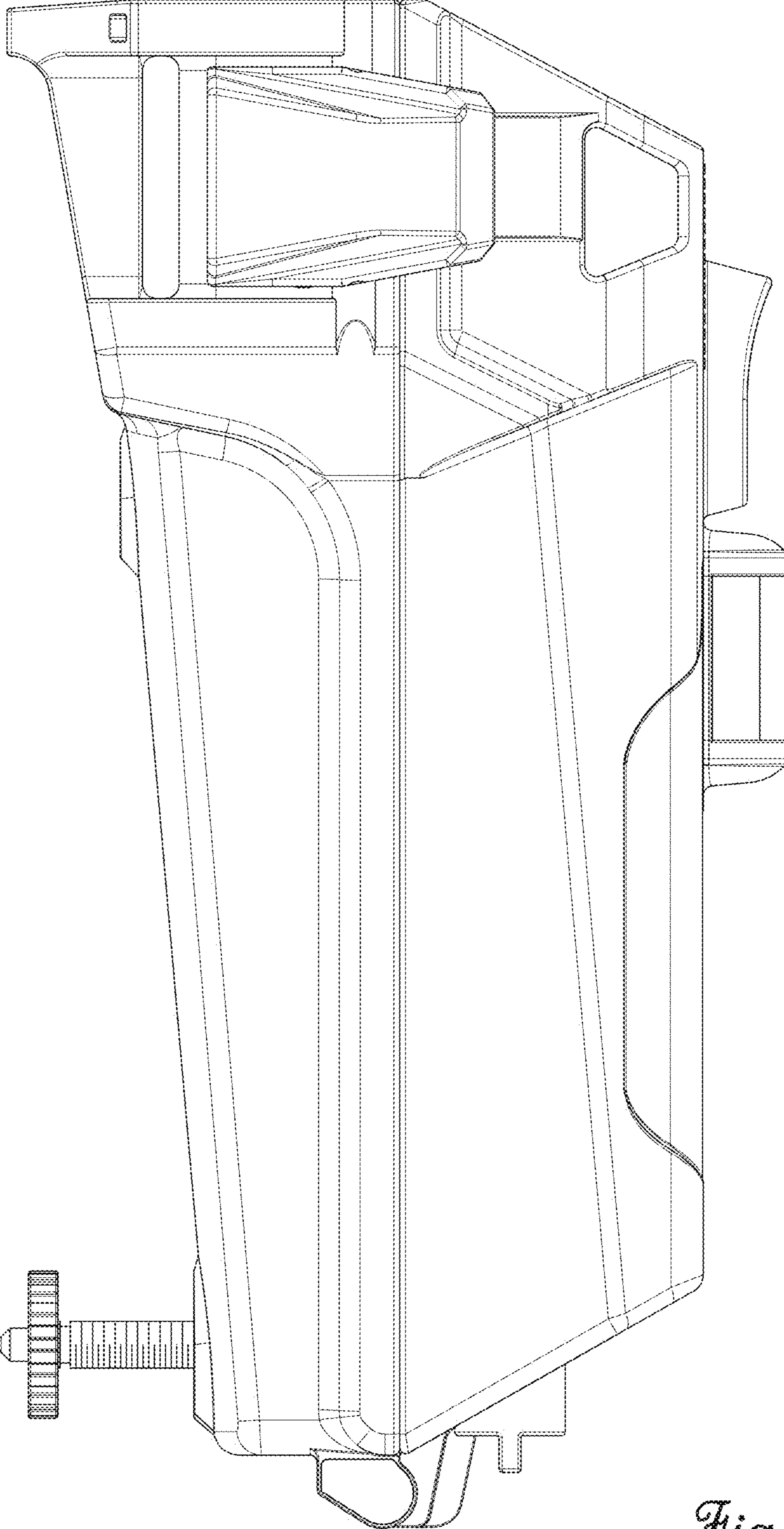


Fig. 6.

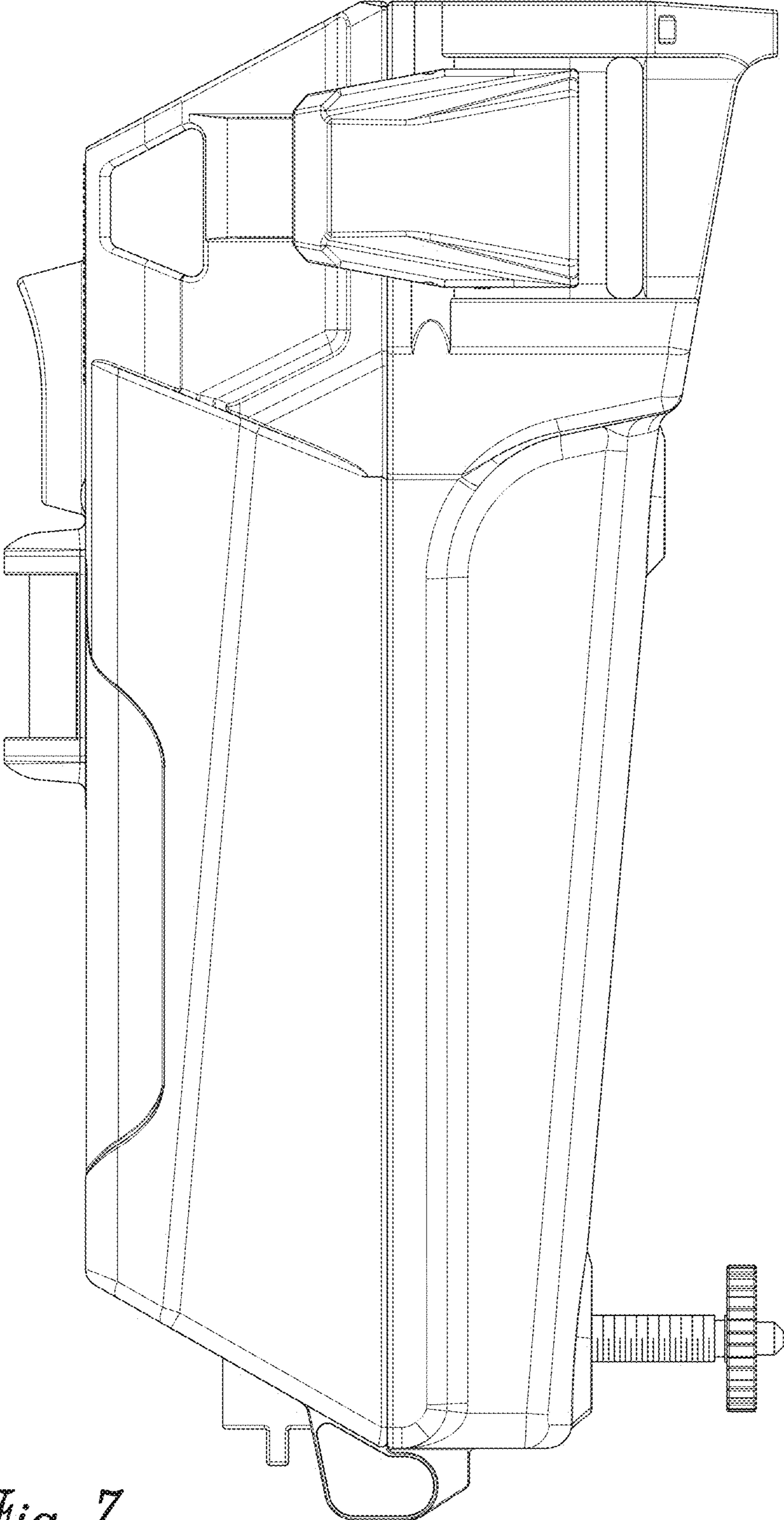


Fig. 7.

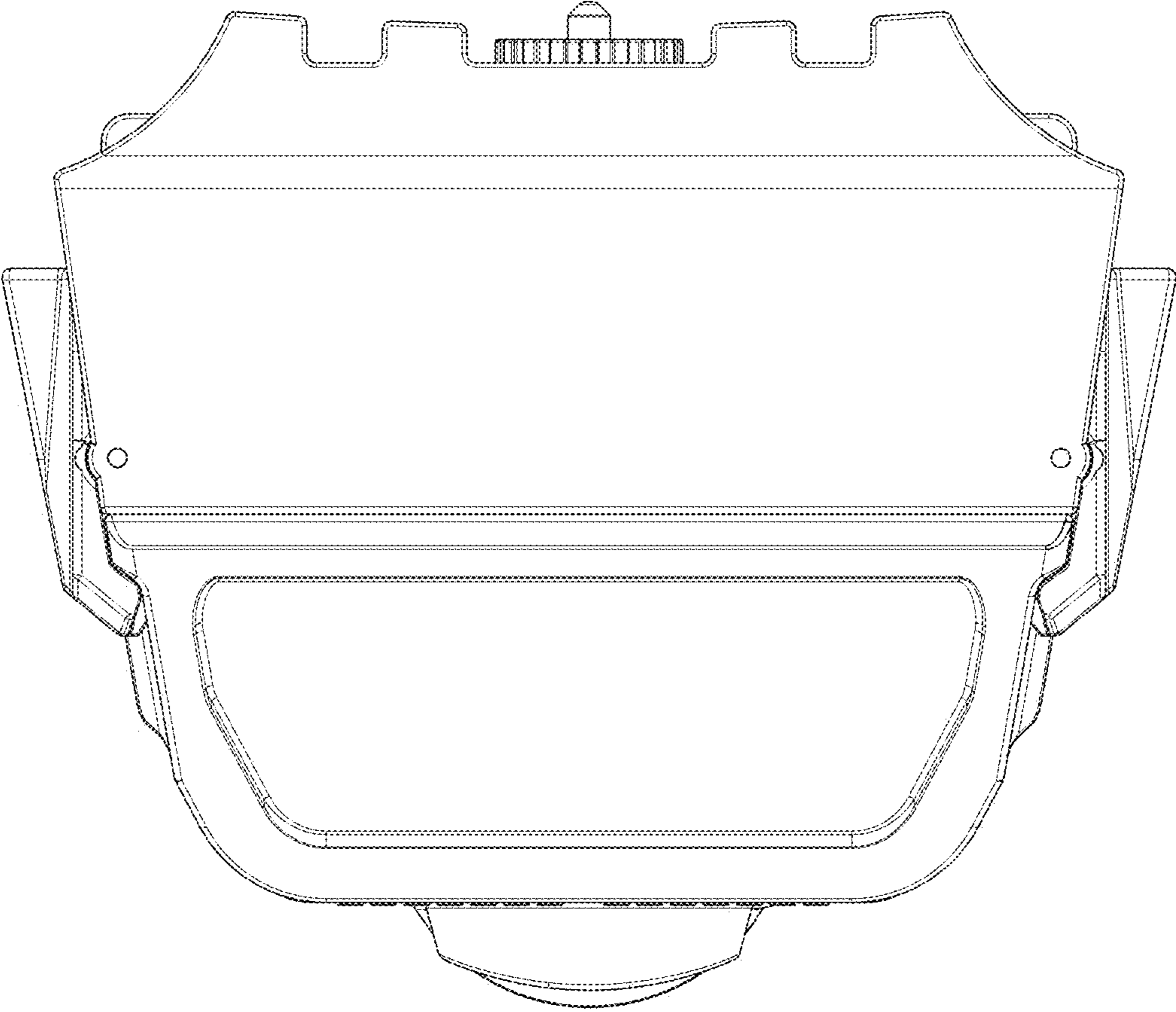


Fig. 8.

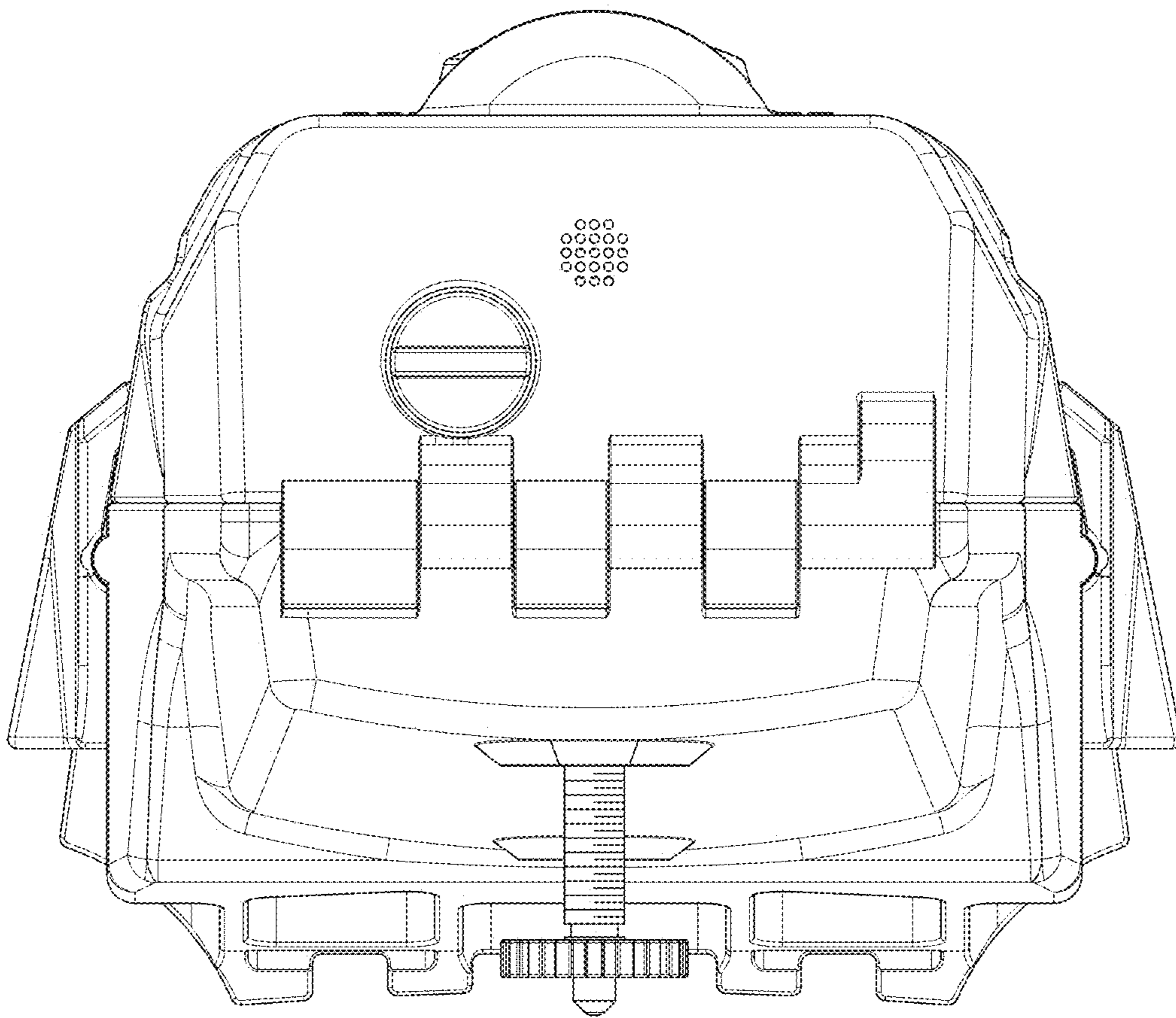


Fig. 9.

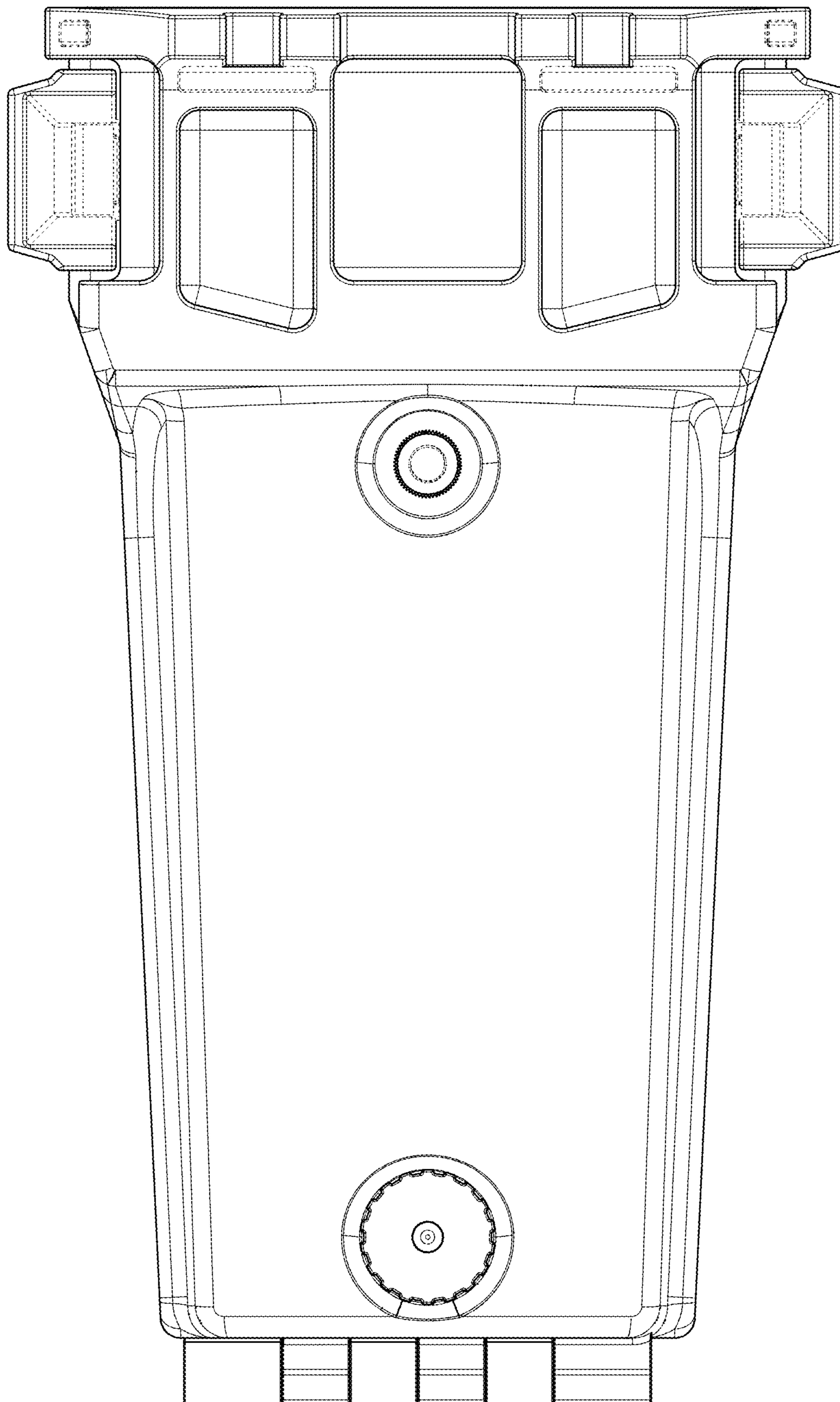


Fig. 10