



US00D878444S

(12) **United States Design Patent**
Apothéloz

(10) **Patent No.:** **US D878,444 S**

(45) **Date of Patent:** **** Mar. 17, 2020**

- (54) **MICROSCOPE**
- (71) Applicant: **Leica Microsystems CMS GmbH,**
Wetzlar (DE)
- (72) Inventor: **Christophe Apothéloz,** Zurich (CH)
- (73) Assignee: **Leica Microsystems CMS GmbH,**
Wetzlar (DE)
- (**) Term: **15 Years**

D708,244 S *	7/2014	Matoba	H01J 37/26 D16/131
D708,245 S *	7/2014	Matoba	H01J 37/26 D16/131
D711,950 S *	8/2014	Matoba	D16/131
D715,843 S *	10/2014	Kawai	D16/131
D724,128 S *	3/2015	Muraoka	D16/131
D740,947 S *	10/2015	Tam	D24/163
D794,816 S *	8/2017	Koyama	D24/224
D824,445 S *	7/2018	Apotheloz	D16/131
D827,008 S *	8/2018	Okada	D16/131
D841,069 S *	2/2019	Ihara	D16/131
D851,151 S *	6/2019	Masuda	D16/131

(21) Appl. No.: **29/621,277**

* cited by examiner

(22) Filed: **Oct. 6, 2017**

Primary Examiner — Holly E Thurman

(30) **Foreign Application Priority Data**

(74) *Attorney, Agent, or Firm* — Crowell & Moring LLP

Apr. 8, 2017 (EM) 003848605-0001

(51) **LOC (12) Cl.** **16-06**

(52) **U.S. Cl.**
USPC **D16/131**

(58) **Field of Classification Search**
USPC D16/130–136
CPC F41G 3/08
See application file for complete search history.

(57) **CLAIM**

The ornamental design for a microscope, as shown and described.

(56) **References Cited**

DESCRIPTION

U.S. PATENT DOCUMENTS

D226,283 S *	2/1973	Shield	D16/131
D369,353 S *	4/1996	Hofmann-Igl	D14/423
D517,581 S *	3/2006	Apotheloz	D16/131
D575,809 S *	8/2008	Hebiishi	D16/131
D632,323 S *	2/2011	Oonuma	D16/131
D633,537 S *	3/2011	Oonuma	D16/131
D633,538 S *	3/2011	Oonuma	D16/131
D656,978 S *	4/2012	Stoiakine	D16/131
D690,341 S *	9/2013	Tsuda	D16/131
D690,754 S *	10/2013	Tsuda	D16/131

This application contains subject matter related to the following co-pending U.S. design patent application: Application Ser. No. 29/621,278, filed herewith and entitled “Microscope”.

FIG. 1 is a left, front perspective view of a microscope according to the design;

FIG. 2 is a front view thereof;

FIG. 3 is a rear view thereof;

FIG. 4 is a left side view thereof;

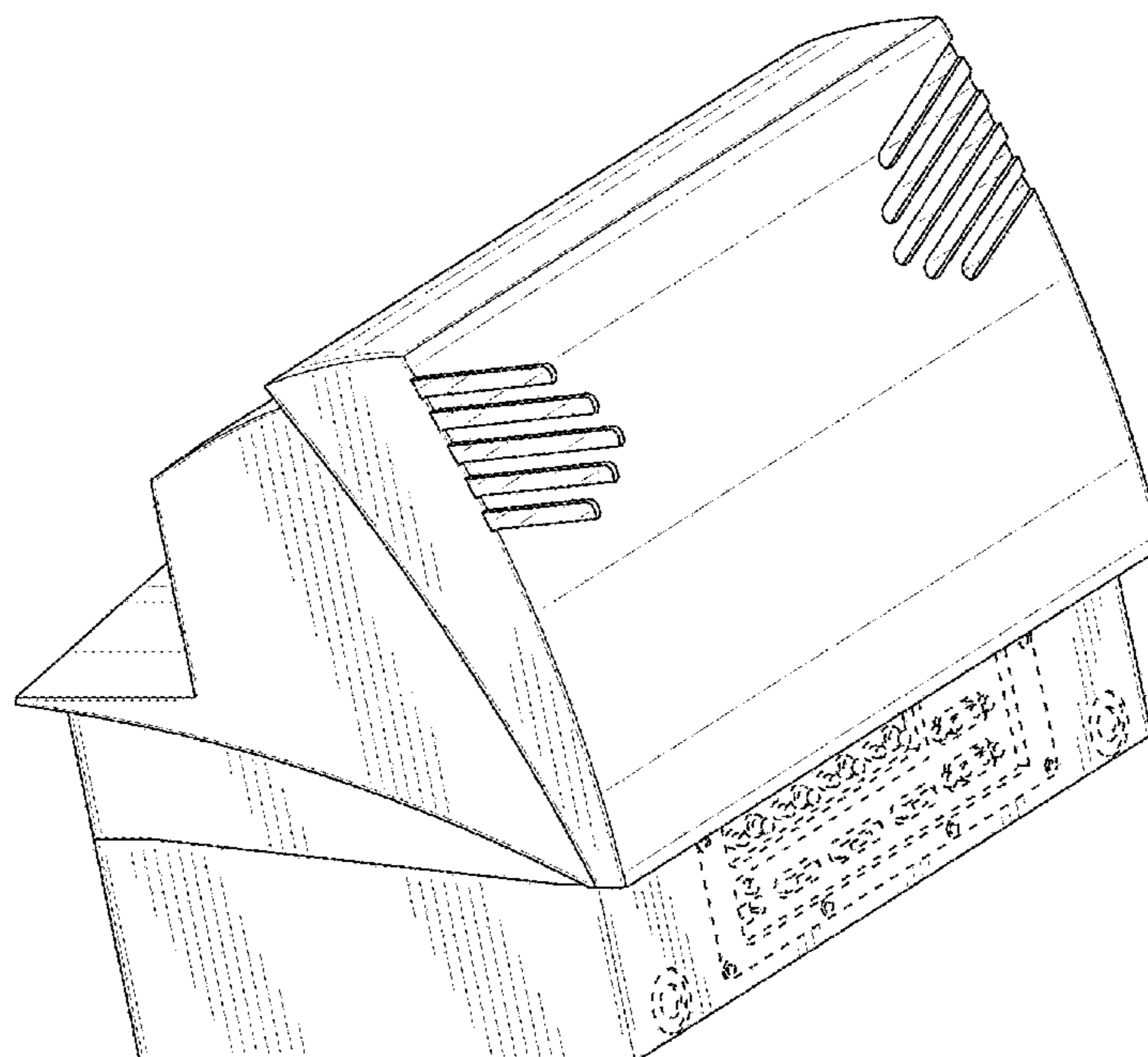
FIG. 5 is a right side view thereof;

FIG. 6 is a top view thereof; and,

FIG. 7 is a bottom view thereof.

The broken lines in the drawings illustrate environmental subject matter only and form no part of the claimed design.

1 Claim, 7 Drawing Sheets



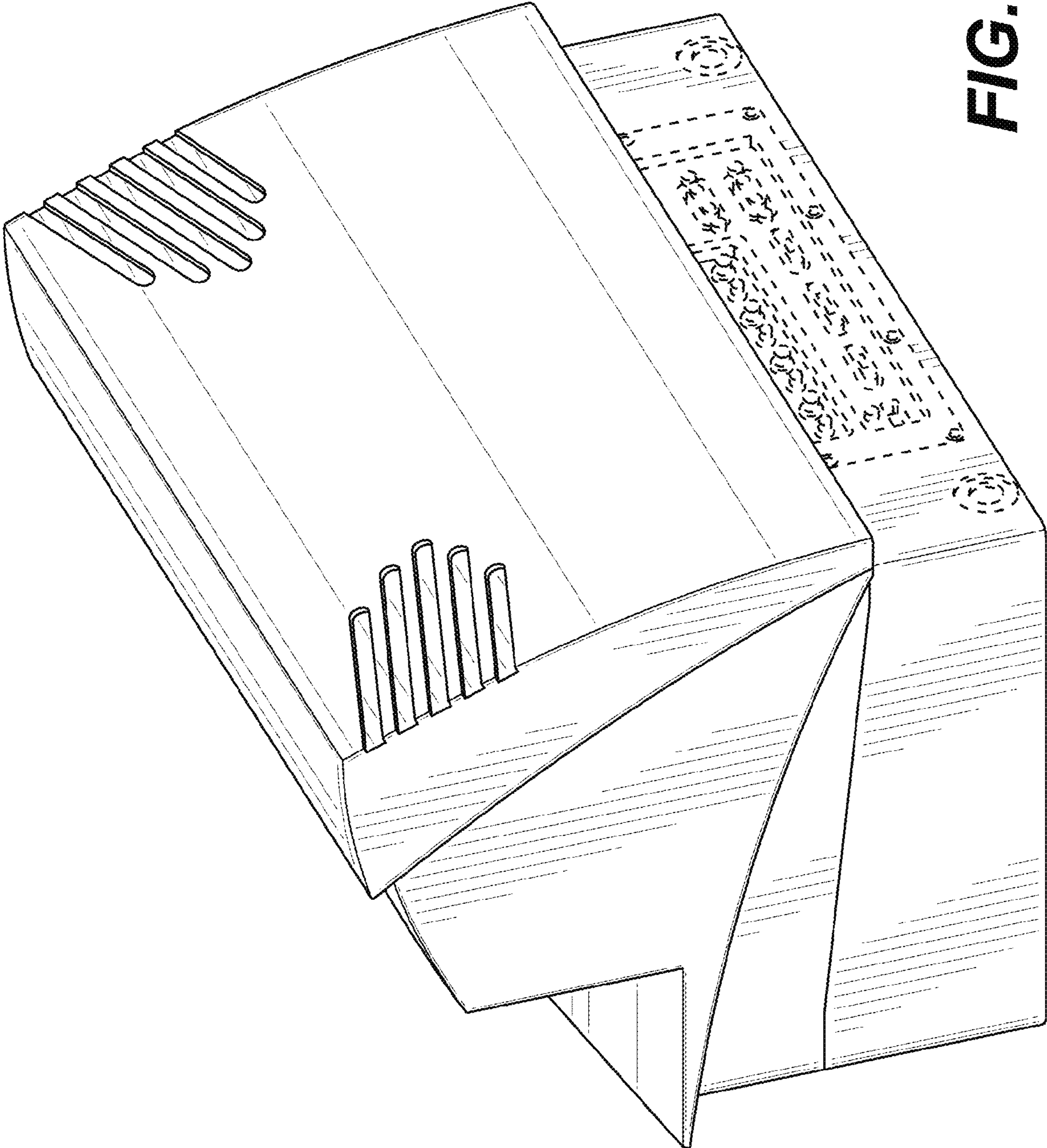


FIG. 1

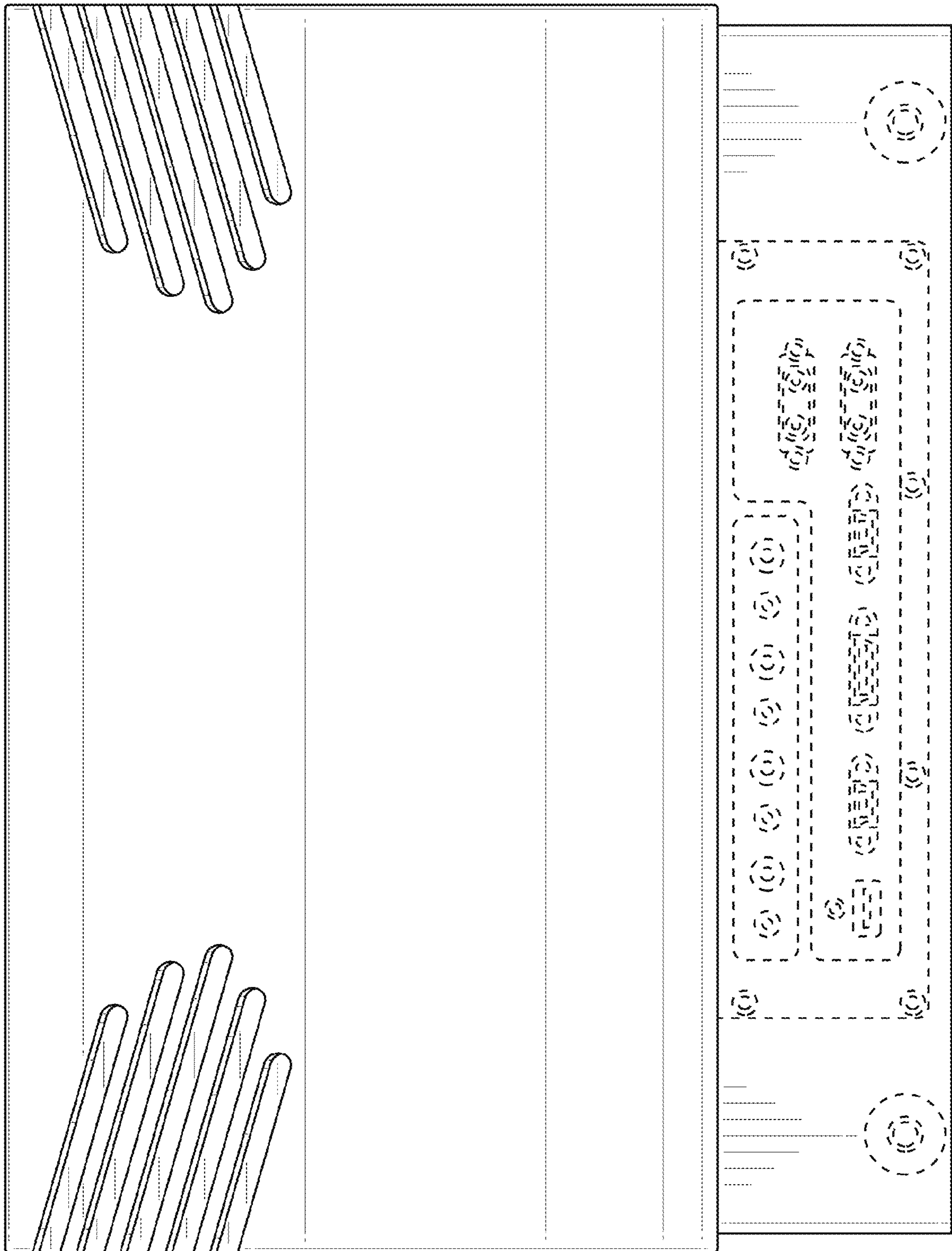


FIG. 2

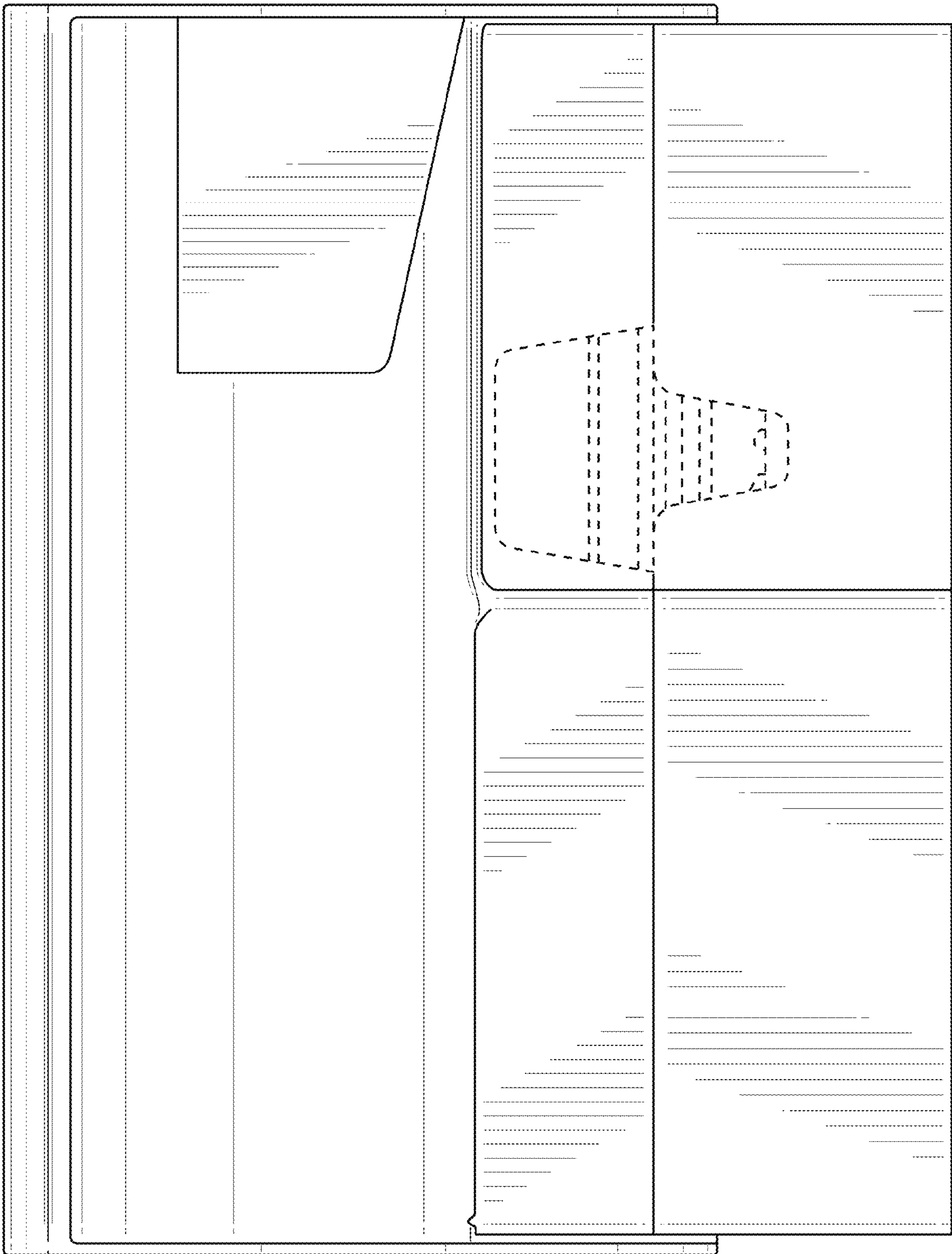


FIG. 3

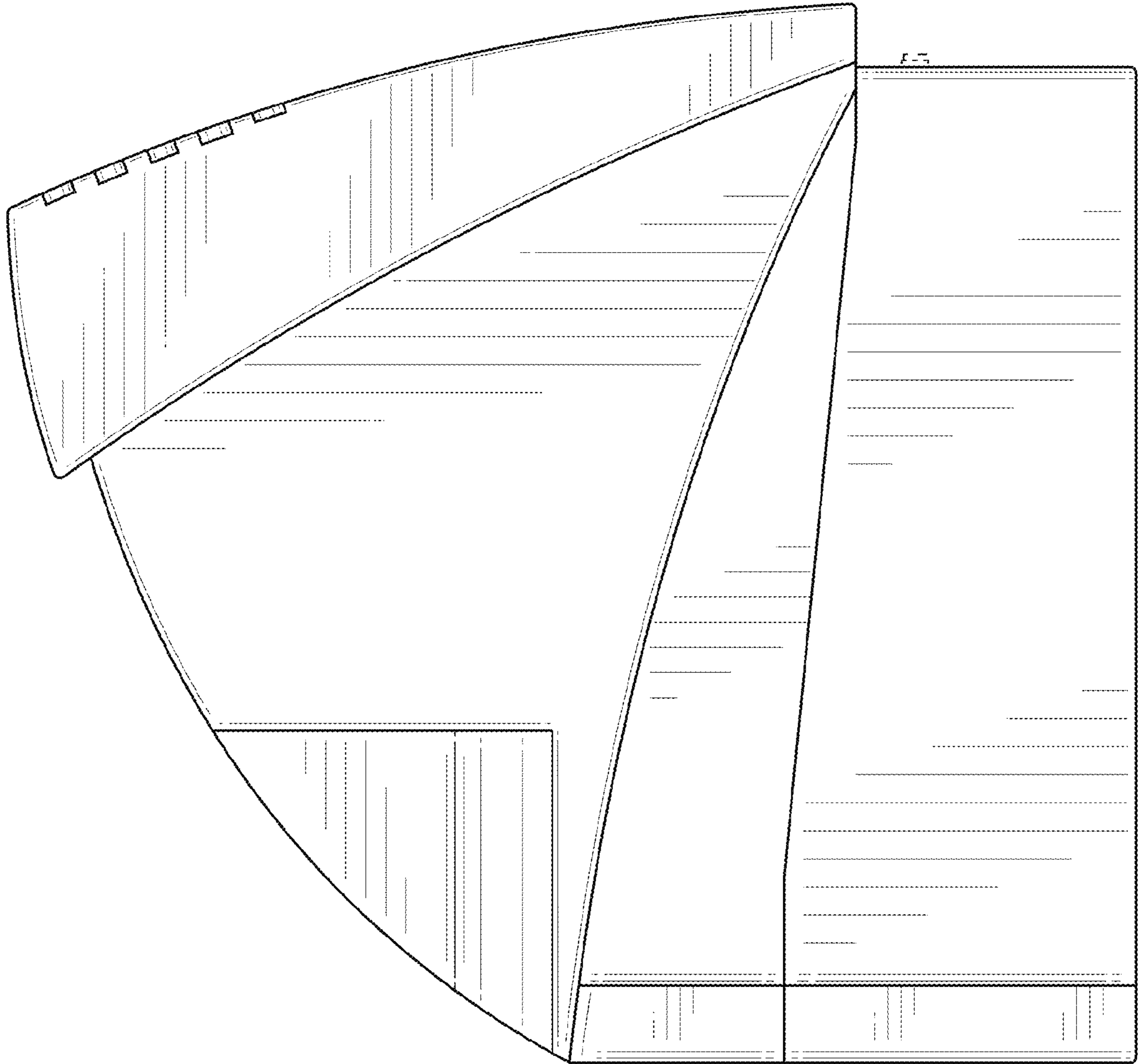


FIG. 4

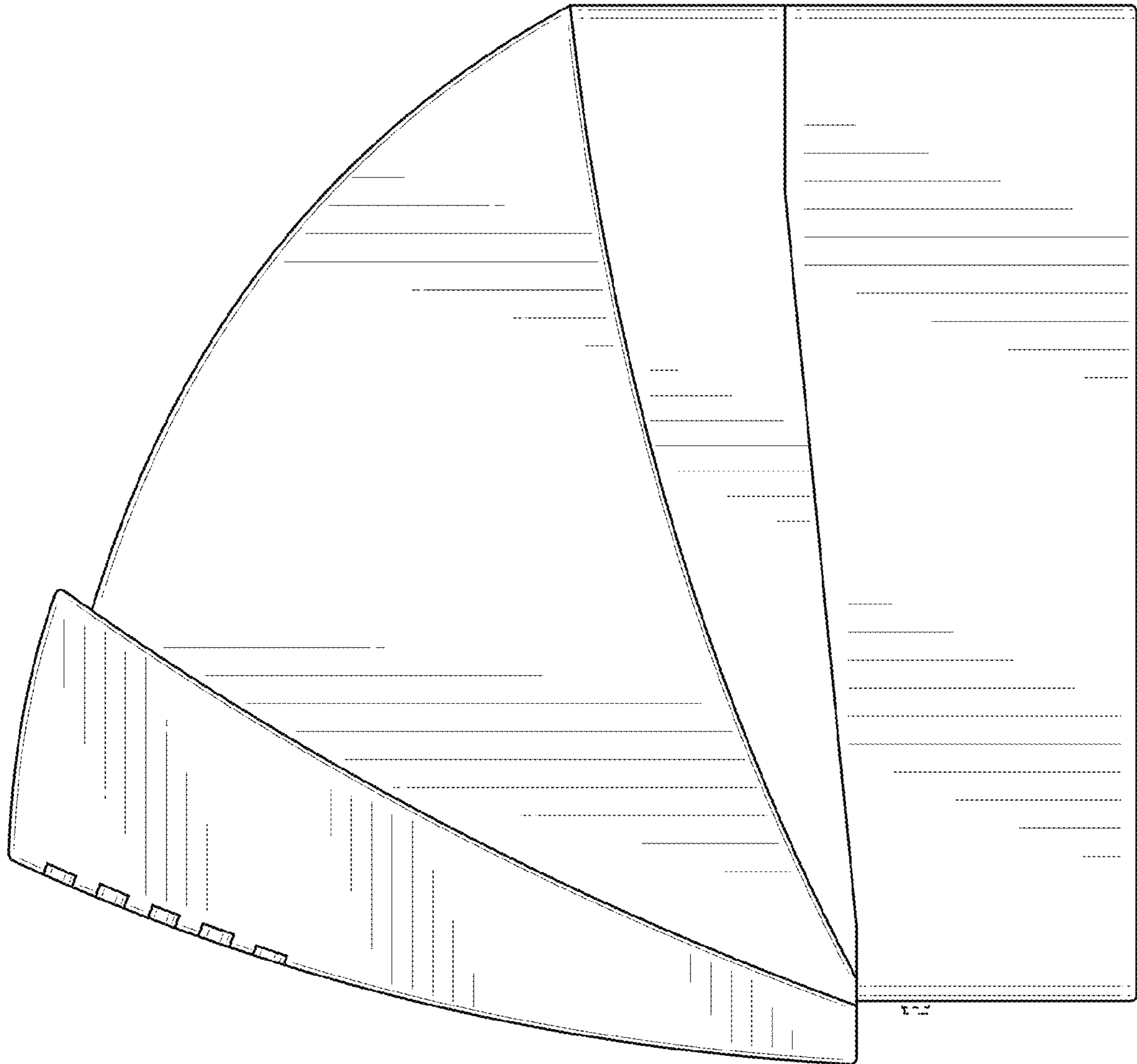


FIG. 5

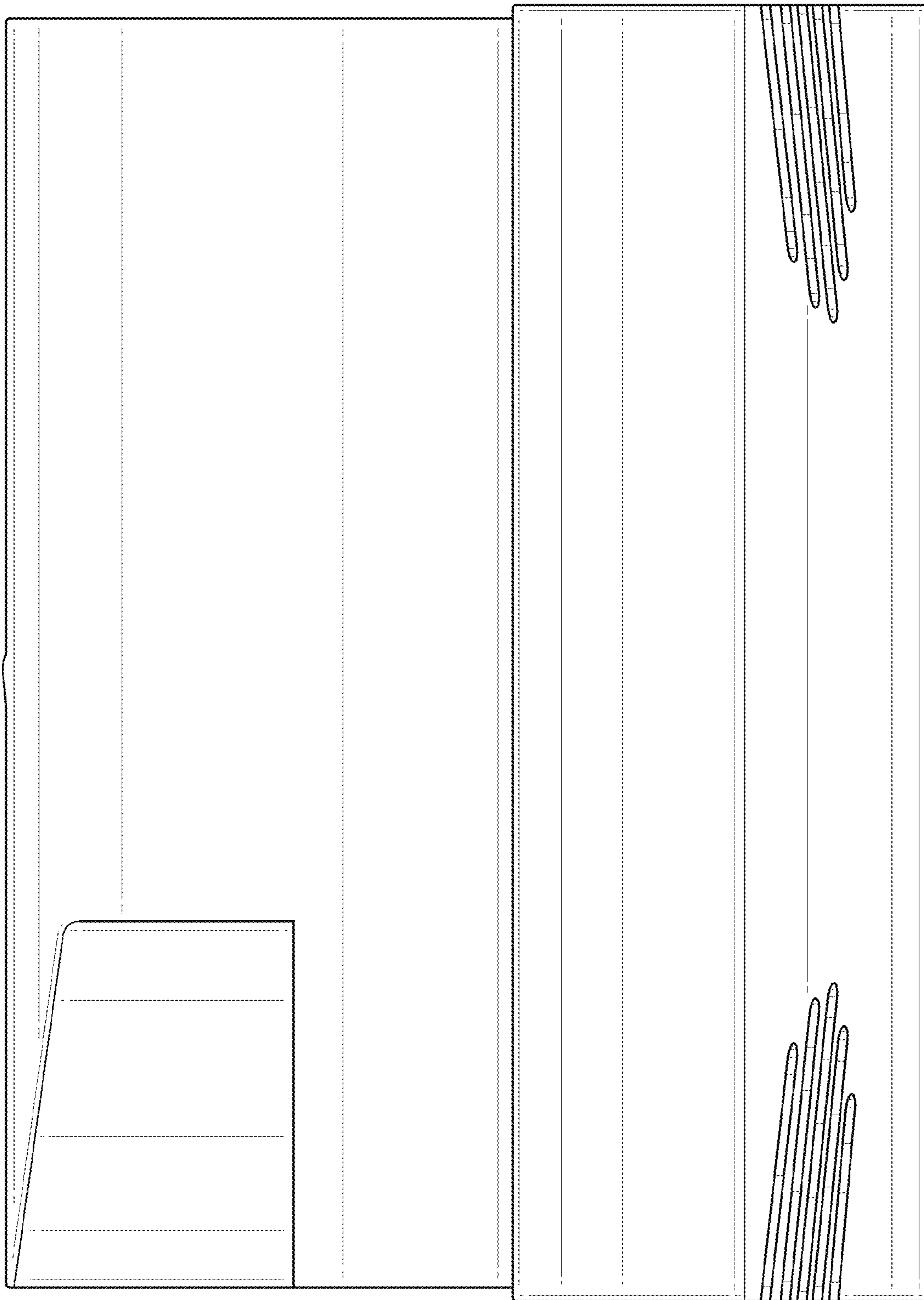


FIG. 6

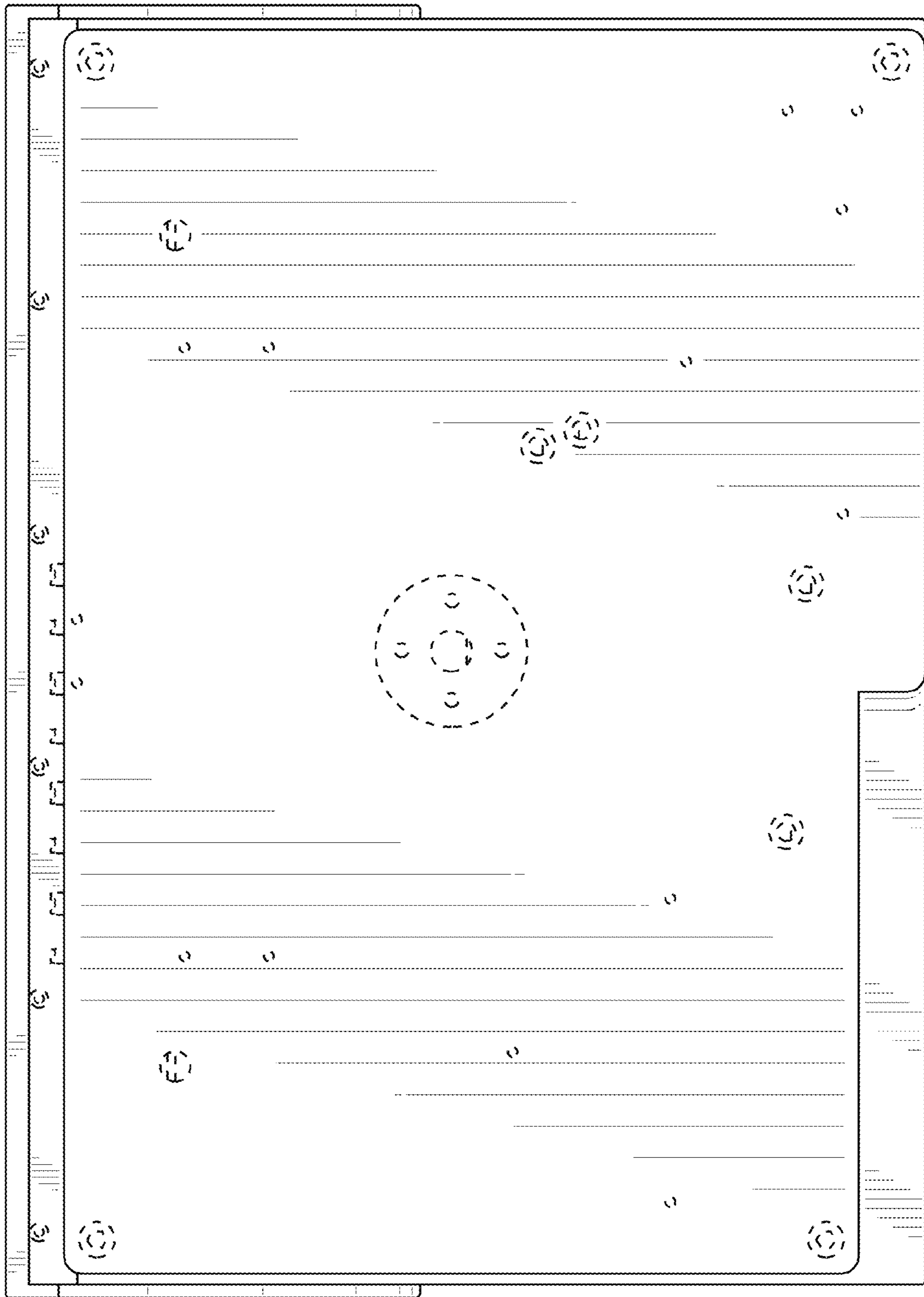


FIG. 7