



US00D878440S

(12) **United States Design Patent**
Dosho et al.

(10) **Patent No.:** **US D878,440 S**
(45) **Date of Patent:** **** Mar. 17, 2020**

(54) **OPERATION DISPLAY DEVICE OF INDUSTRIAL ROBOT**
(71) Applicant: **MITSUBISHI ELECTRIC CORPORATION**, Tokyo (JP)
(72) Inventors: **Yusuke Dosho**, Tokyo (JP); **Yuki Mizushi**, Tokyo (JP)
(73) Assignee: **Mitsubishi Electric Corporation**, Tokyo (JP)
(**) Term: **15 Years**

(21) Appl. No.: **29/646,456**
(22) Filed: **May 4, 2018**

(30) **Foreign Application Priority Data**

Nov. 22, 2017 (JP) 2017-026042

(51) **LOC (12) Cl.** **15-99**
(52) **U.S. Cl.**
USPC **D15/199**

(58) **Field of Classification Search**
USPC D15/199; D21/578-583, 621, 622; D32/21
CPC A63B 47/021; A63B 2047/022; A63B 2102/16; B25J 13/06; G05B 19/409; G05B 2219/36162; G05B 2219/39443; G05B 2219/39446
See application file for complete search history.

(56) **References Cited**

U.S. PATENT DOCUMENTS

4,799,915 A * 1/1989 Lehmann A63H 17/25 446/279
6,134,102 A * 10/2000 Worn B25J 9/1656 361/679.09
6,180,898 B1 * 1/2001 Terada B25J 13/02 200/17 R
D440,241 S * 4/2001 Kawahara D15/199

D624,104 S * 9/2010 Miyake 15/99
7,864,158 B1 * 1/2011 McGeever G05B 19/409 345/158
D681,708 S * 5/2013 Miyake D15/199
D769,343 S * 10/2016 Bordegnoni D15/199
10,105,853 B1 * 10/2018 Hwang B25J 15/0206
2004/0189631 A1 * 9/2004 Kazi B25J 9/1671 345/418
2004/0248619 A1 * 12/2004 Graiger G05B 19/409 455/566
2005/0231332 A1 * 10/2005 Nihei B25J 13/06 340/286.13
2006/0212167 A1 * 9/2006 Nobuhiro B25J 13/06 700/245

(Continued)

Primary Examiner — Patricia A Palasik
(74) *Attorney, Agent, or Firm* — Sutdebaker & Brackett PC

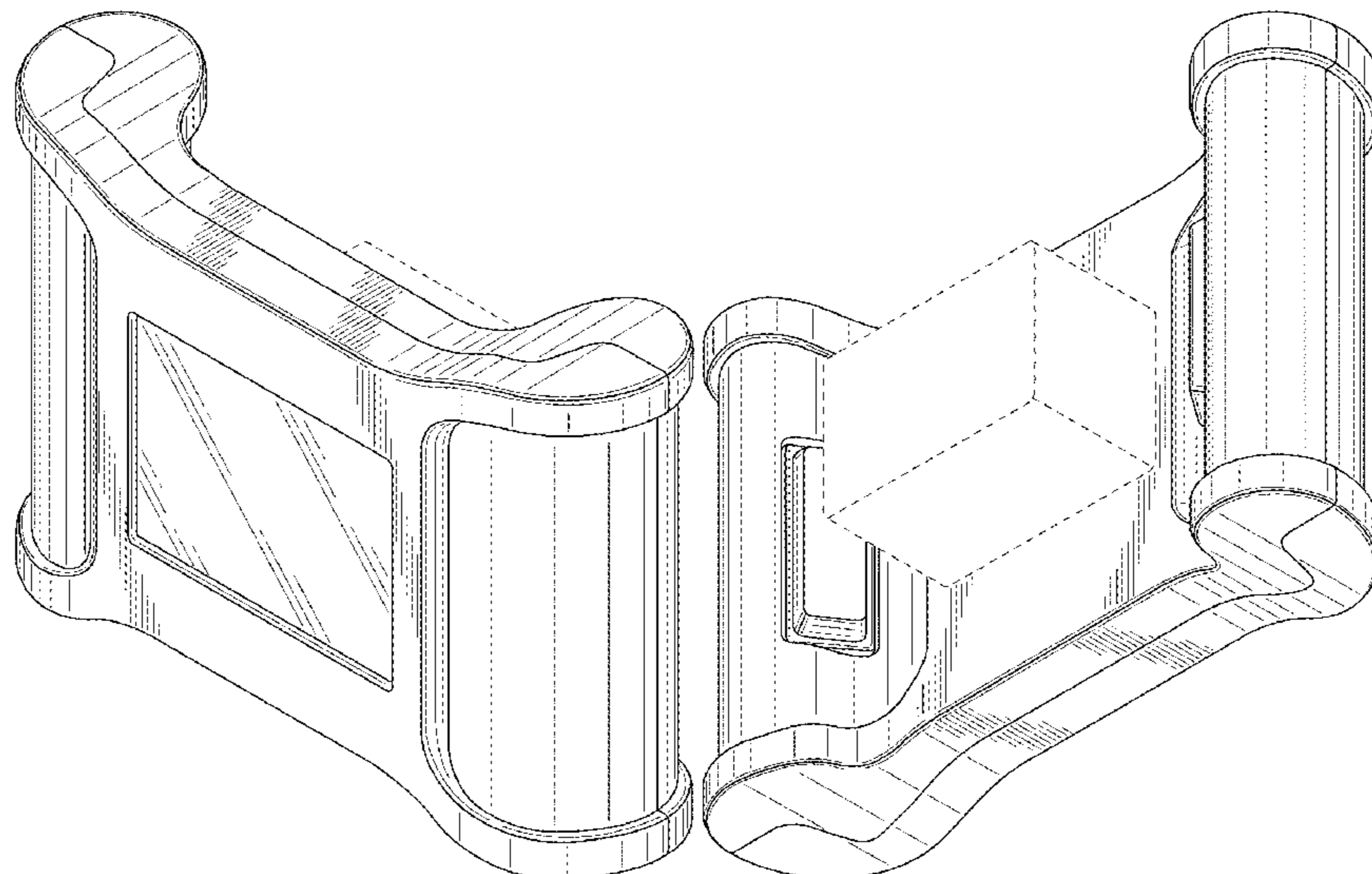
(57) **CLAIM**

The ornamental design for an operation display device of industrial robot, as shown and described.

DESCRIPTION

FIG. 1 is a front perspective view of the front, right, and top sides of an operation display device of industrial robot showing our new design;
FIG. 2 is a rear perspective view of the rear, left, and bottom sides thereof;
FIG. 3 is a front view thereof;
FIG. 4 is a rear view thereof;
FIG. 5 is a top view thereof;
FIG. 6 is a bottom view thereof;
FIG. 7 is a right side view thereof; and,
FIG. 8 is a left side view thereof.
The broken lines shown represent unclaimed subject matter of the operation display device of industrial robot and form no part of the claimed design.

1 Claim, 8 Drawing Sheets



US D878,440 S

Page 2

(56)

References Cited

U.S. PATENT DOCUMENTS

2008/0129553	A1*	6/2008	Rotzler	G05B 19/409	341/22
2010/0106299	A1*	4/2010	Nagata	B25J 13/06	700/264
2010/0145520	A1*	6/2010	Gerio	B25J 13/06	700/264
2011/0077750	A1*	3/2011	Stummer	G05B 19/409	700/17
2014/0033108	A1*	1/2014	Paccagnan	G05B 19/409	715/771
2015/0045951	A1*	2/2015	Som	B25J 13/06	700/257
2015/0051736	A1*	2/2015	Mu	B25J 13/06	700/264
2015/0066209	A1*	3/2015	Som	B25J 13/06	700/264
2015/0212718	A1*	7/2015	Kellhammer	G05B 19/409	715/771
2015/0234630	A1*	8/2015	Sakai	G06F 3/041	345/658
2016/0096275	A1*	4/2016	Miyakoshi	B25J 13/06	700/264
2016/0114478	A1*	4/2016	Wu	B25J 13/006	700/264
2016/0144513	A1*	5/2016	Fukunaga	B25J 9/1656	700/264
2016/0184996	A1*	6/2016	Ishige	B25J 9/1692	700/254
2016/0297067	A1*	10/2016	Kogan	B25J 13/06	
2016/0297076	A1*	10/2016	Riedel	B25J 13/06	
2016/0358105	A1*	12/2016	Tanaka	G06N 20/00	
2017/0090451	A1*	3/2017	Koike	G05B 19/409	
2017/0109856	A1*	4/2017	Inazumi	B25J 9/1697	
2017/0120440	A1*	5/2017	Guerin	G05B 19/409	
2018/0314265	A1*	11/2018	Matsuno	G05D 1/0248	

* cited by examiner

FIG. 1

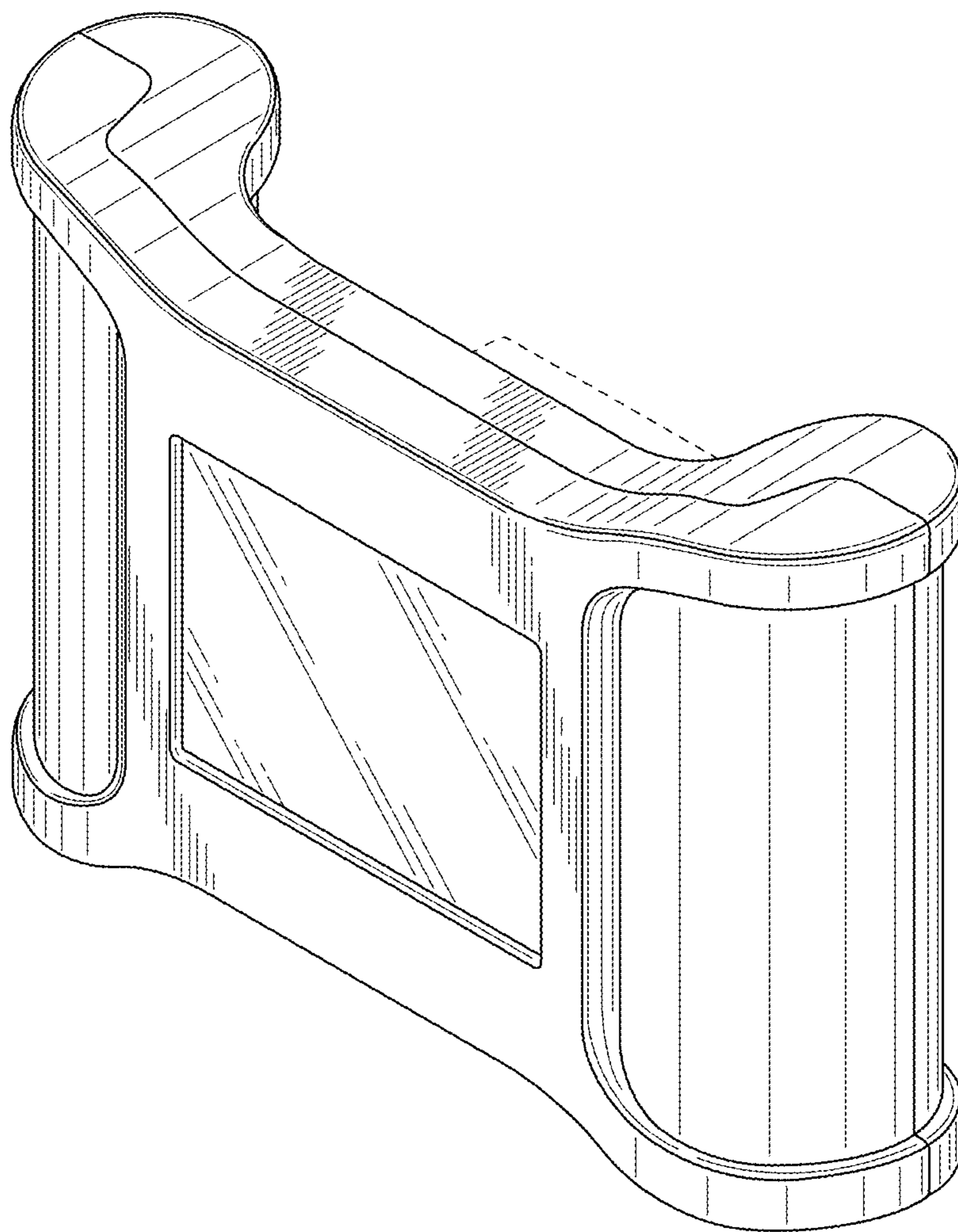


FIG. 2

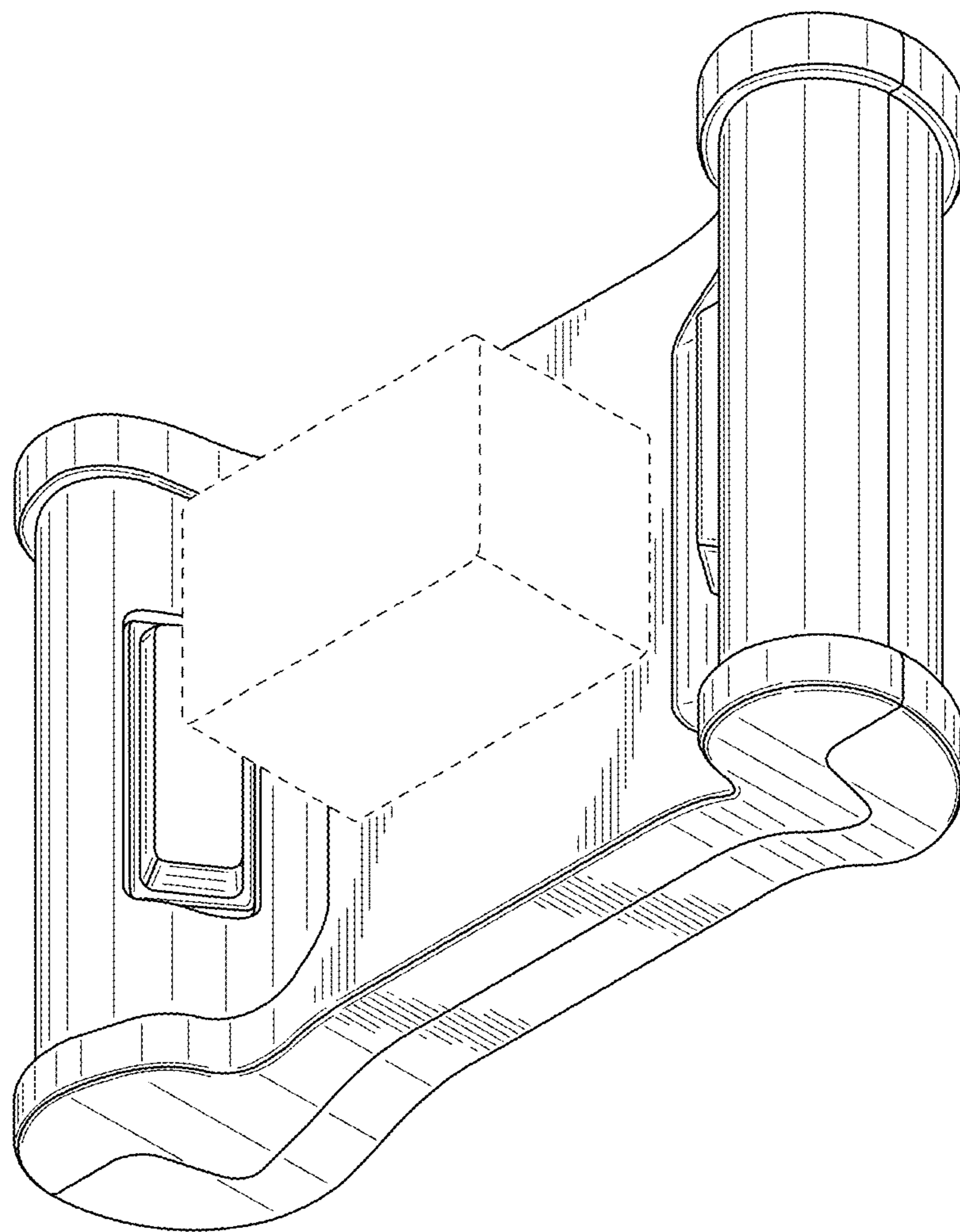


FIG. 3

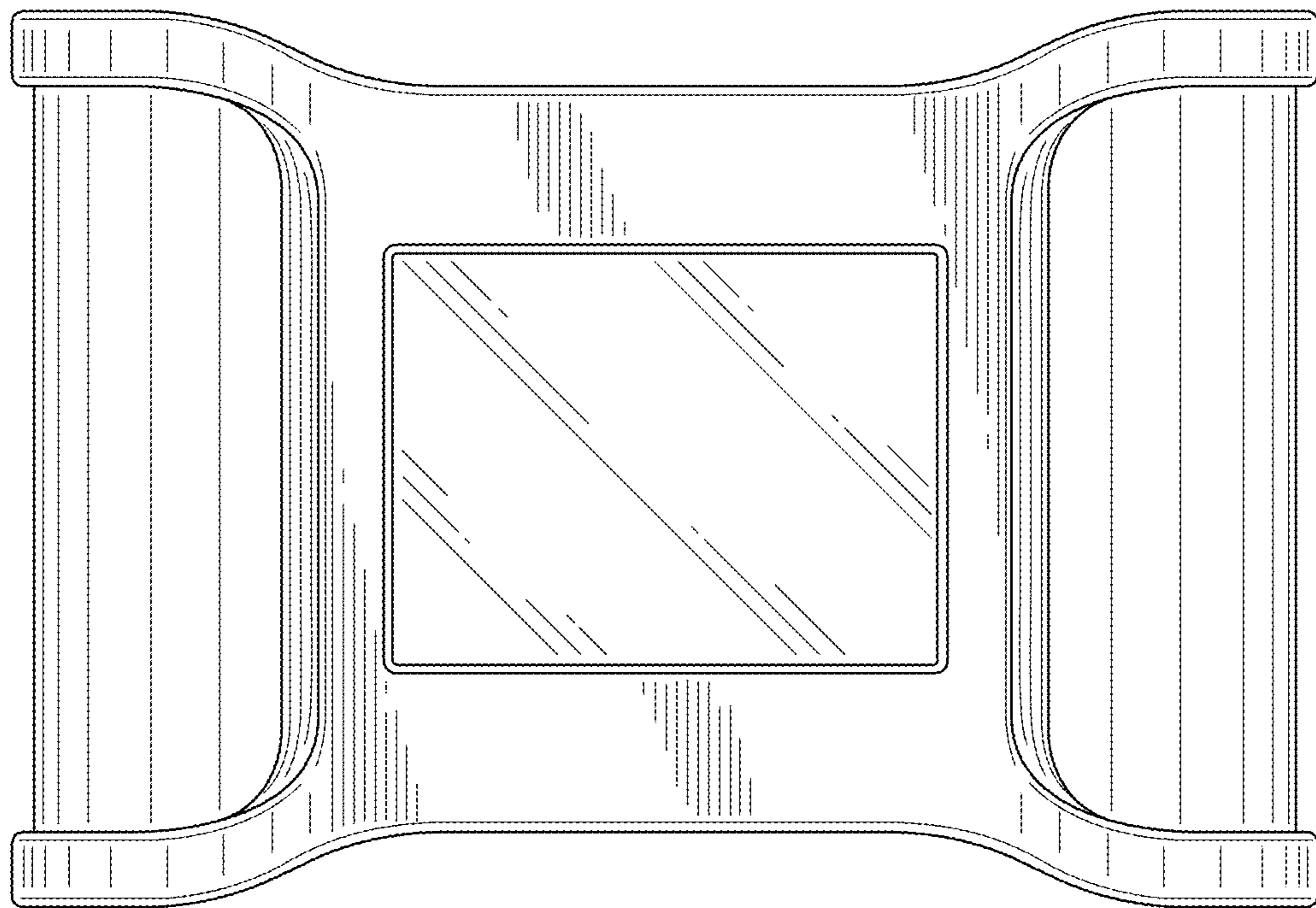


FIG. 4

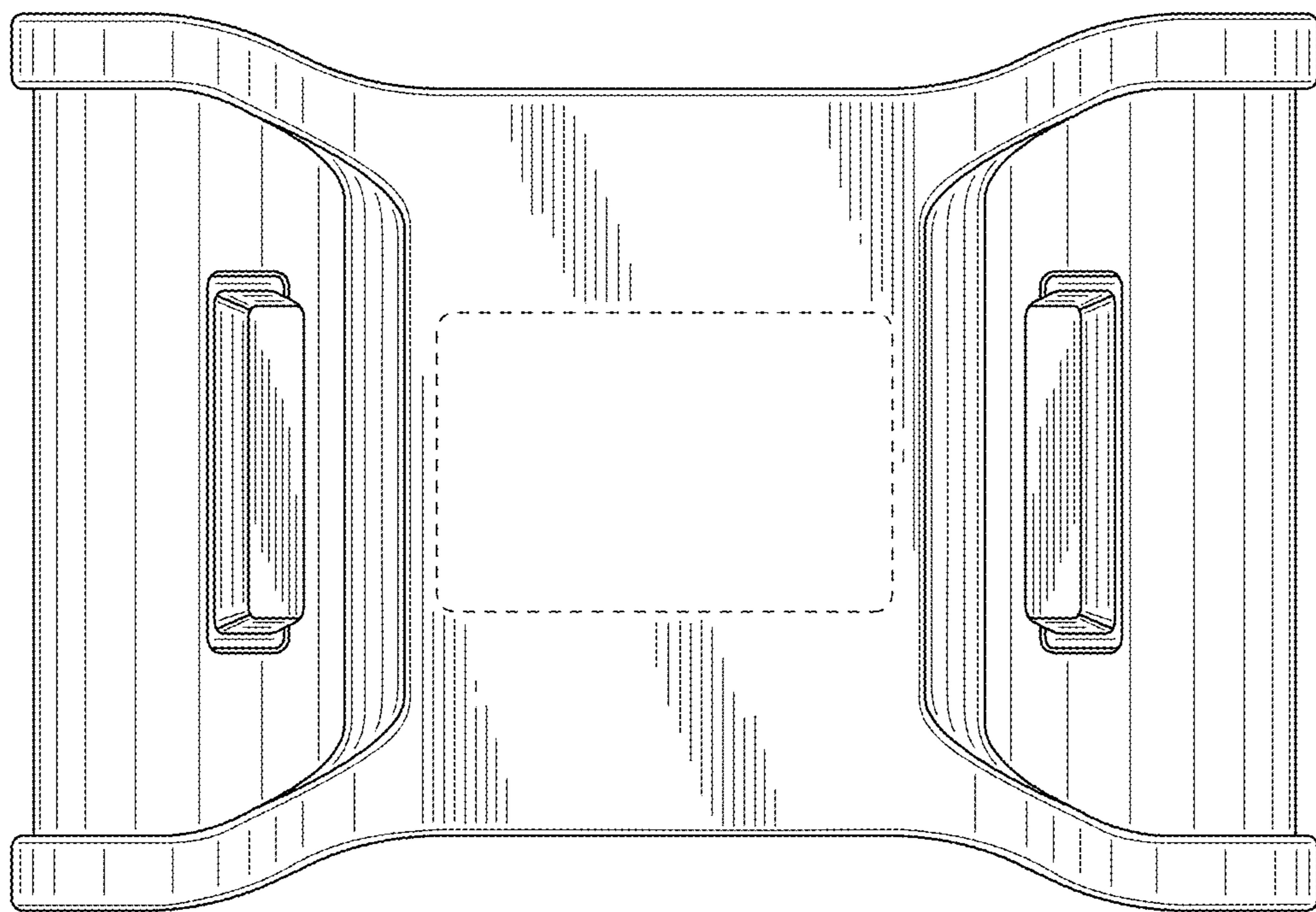


FIG. 5

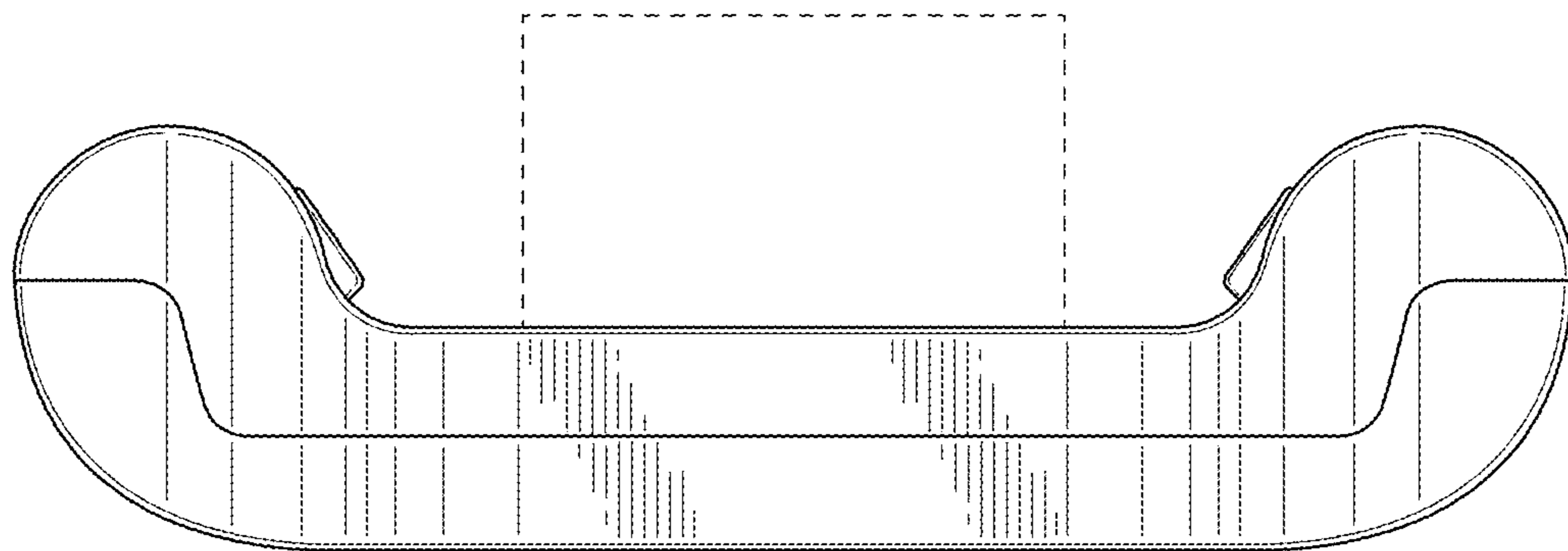


FIG. 6

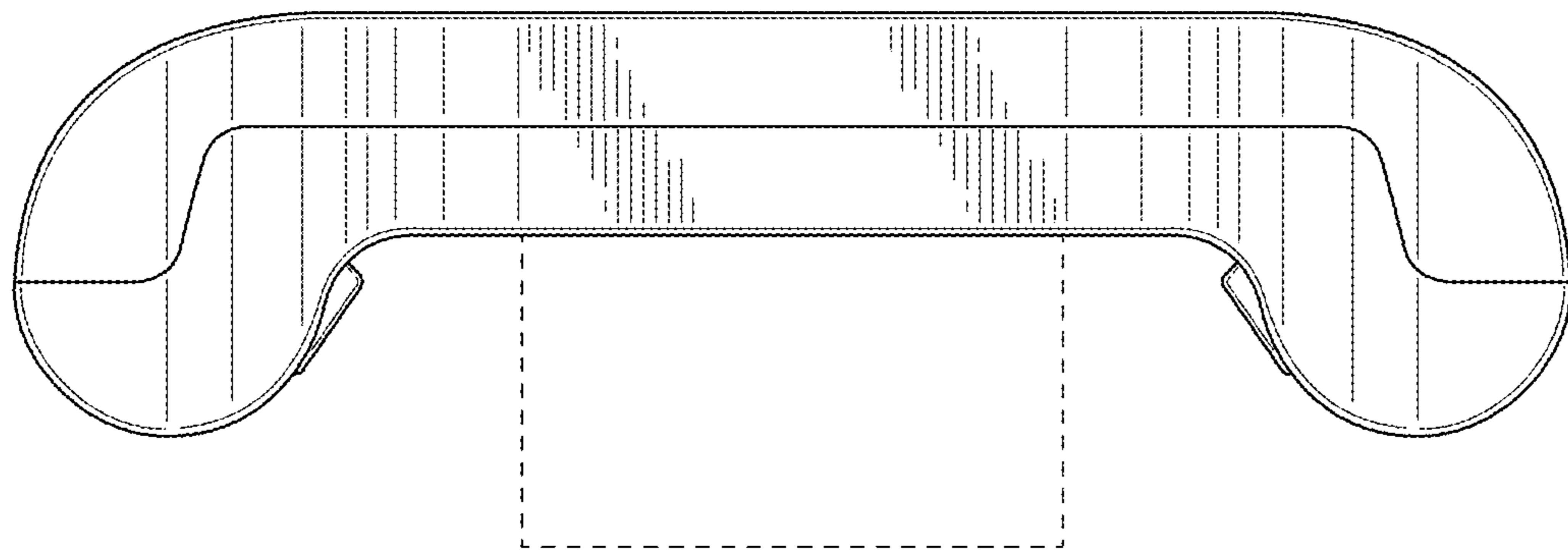


FIG. 7

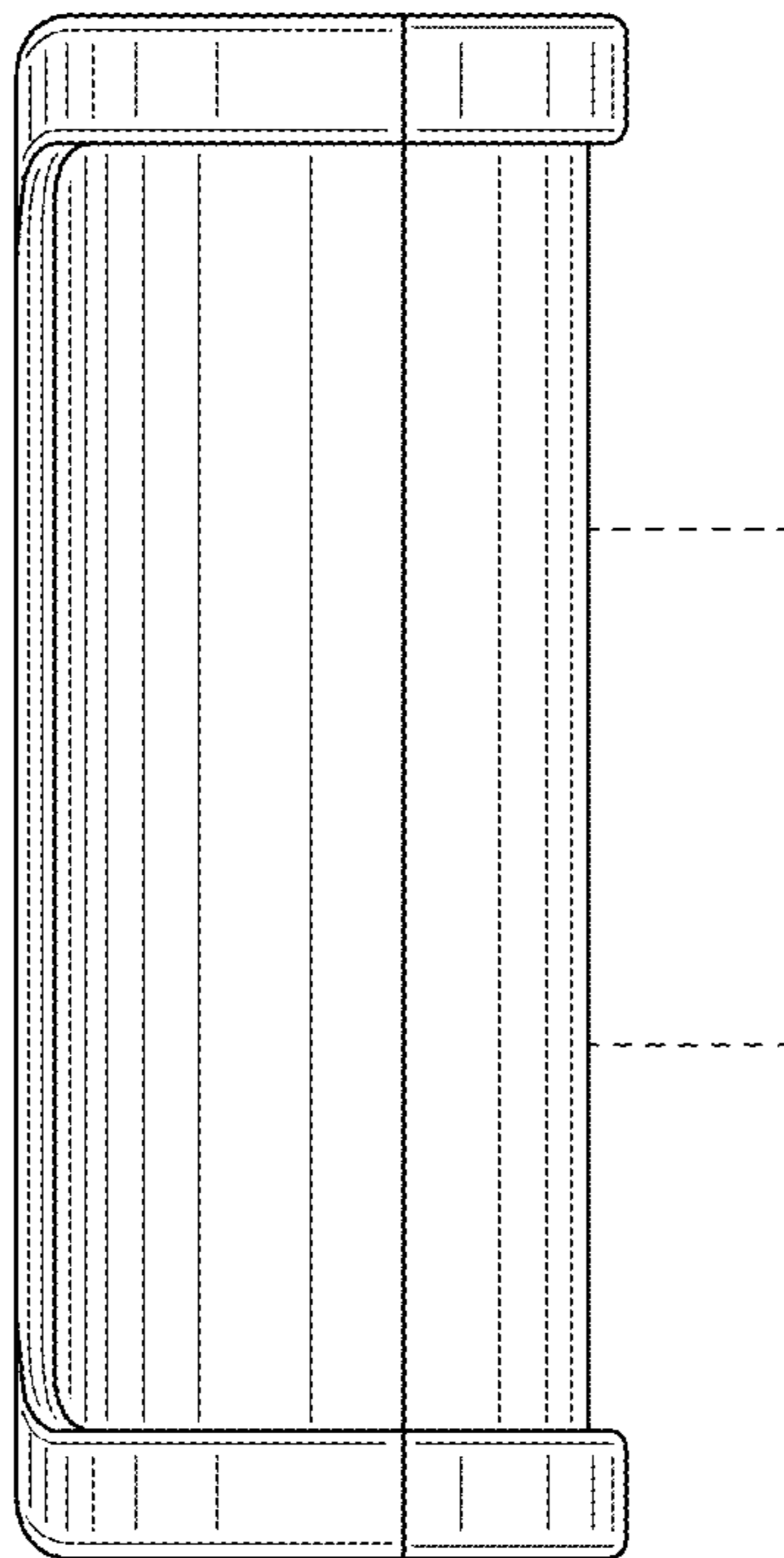


FIG. 8

