



US00D878436S

(12) **United States Design Patent**
Dunaway et al.

(10) **Patent No.:** **US D878,436 S**

(45) **Date of Patent:** **** Mar. 17, 2020**

(54) **CUTTING TOOL**

(71) Applicant: **US Synthetic Corporation**, Orem, UT (US)

(72) Inventors: **Tyler Scott Dunaway**, Pleasant Grove, UT (US); **Greg Carlos Topham**, Spanish Fork, UT (US)

(73) Assignee: **US SYNTHETIC CORPORATION**, Orem, UT (US)

(**) Term: **15 Years**

(21) Appl. No.: **29/626,328**

(22) Filed: **Nov. 16, 2017**

(51) **LOC (12) Cl.** **15-09**

(52) **U.S. Cl.**
USPC **D15/139**

(58) **Field of Classification Search**
USPC D8/20, 70; D15/126, 131, 138, 139, 140
CPC B23C 5/109; B23C 5/207
See application file for complete search history.

(56) **References Cited**

U.S. PATENT DOCUMENTS

4,830,548 A *	5/1989	Kandarian	B23B 51/05
				30/310
D347,012 S *	5/1994	Huston	D15/139
D570,384 S *	6/2008	Morozov	D15/139
D581,958 S *	12/2008	Morozov	D15/139
D587,732 S *	3/2009	Morozov	D15/139
D594,486 S *	6/2009	Morozov	D15/139

(Continued)

FOREIGN PATENT DOCUMENTS

WO 2019128956 A1 7/2019

Primary Examiner — Patricia A Palasik

(74) *Attorney, Agent, or Firm* — Dorsey & Whitney LLP

(57) **CLAIM**

The ornamental design for a cutting tool, as shown and described.

DESCRIPTION

FIG. 1 is a perspective view of a cutting tool, according to a first embodiment;

FIG. 2 is a top plan view of the cutting tool shown in FIG. 1;

FIG. 3 is a side elevational view of the cutting tool shown in FIG. 1;

FIG. 4 is a side elevational view of the cutting tool rotated 180° relative to the side elevational view of FIG. 3;

FIG. 5 is a side elevational view of the cutting tool rotated 90° angle relative to the side elevational view of FIG. 4;

FIG. 6 is a side elevational view of the cutting tool rotated 180° relative to the side elevational view of FIG. 5;

FIG. 7 is a perspective view of a cutting tool, according to a second embodiment;

FIG. 8 is a top plan view of the cutting tool shown in FIG. 7;

FIG. 9 is a side elevational view of the cutting tool shown in FIG. 7;

FIG. 10 is a side elevational view of the cutting tool rotated 180° relative to the side elevational view of FIG. 9;

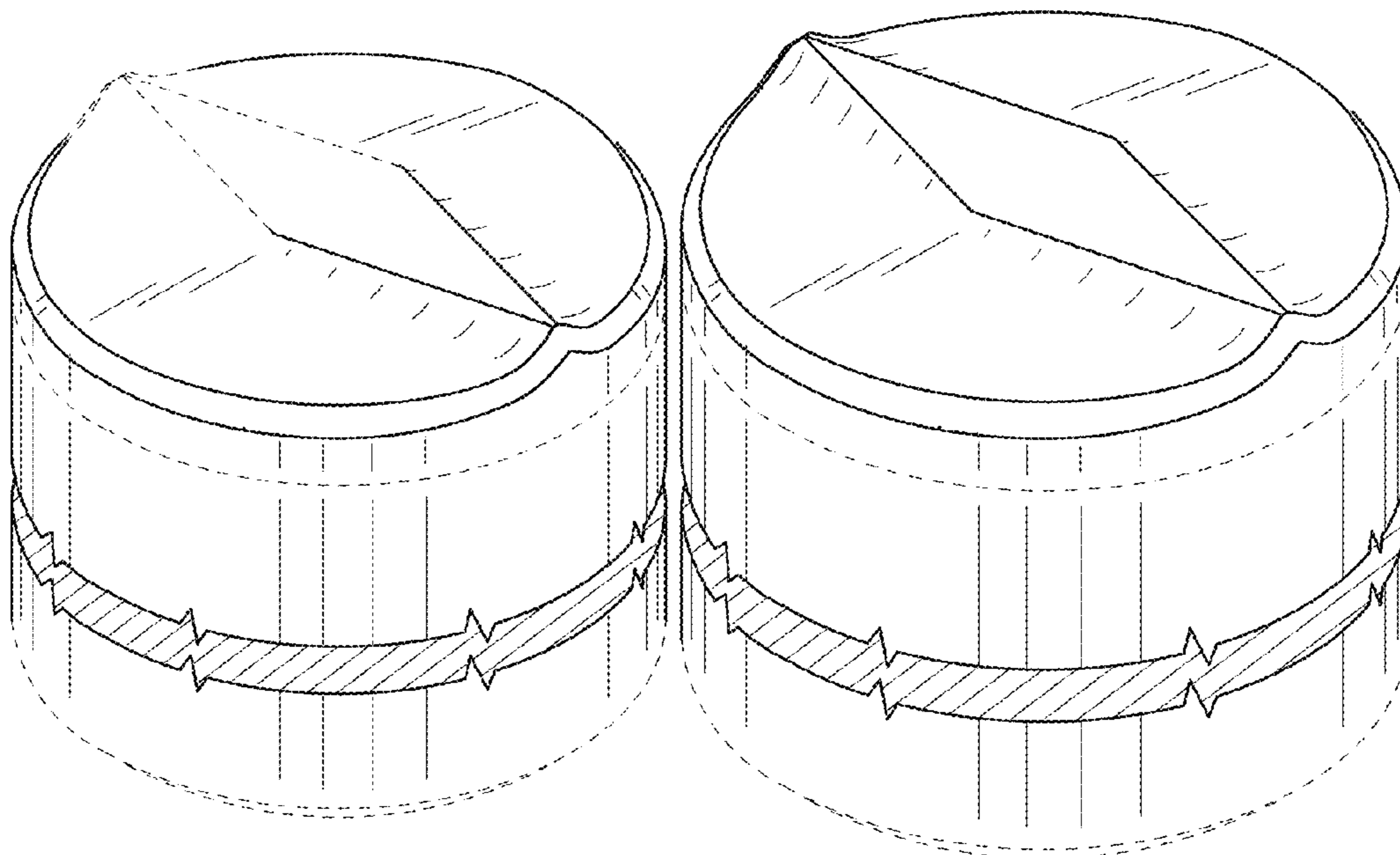
FIG. 11 is a side elevational view of the cutting tool rotated 90° angle relative to the side elevational view of FIG. 9; and,

FIG. 12 is a side elevational view of the cutting tool rotated 180° relative to the side elevational view of FIG. 11.

The broken away symbols in the drawings indicate that any portion of the article beyond what is shown forms no part of the claimed design.

The broken lines in the drawings depict portions of the cutting tool which form no part of the claimed design.

1 Claim, 6 Drawing Sheets



(56)

References Cited

U.S. PATENT DOCUMENTS

9,103,174 B2 8/2015 Digiovanni
9,598,909 B2 3/2017 Patel
D835,163 S * 12/2018 Mortensen D15/126

* cited by examiner

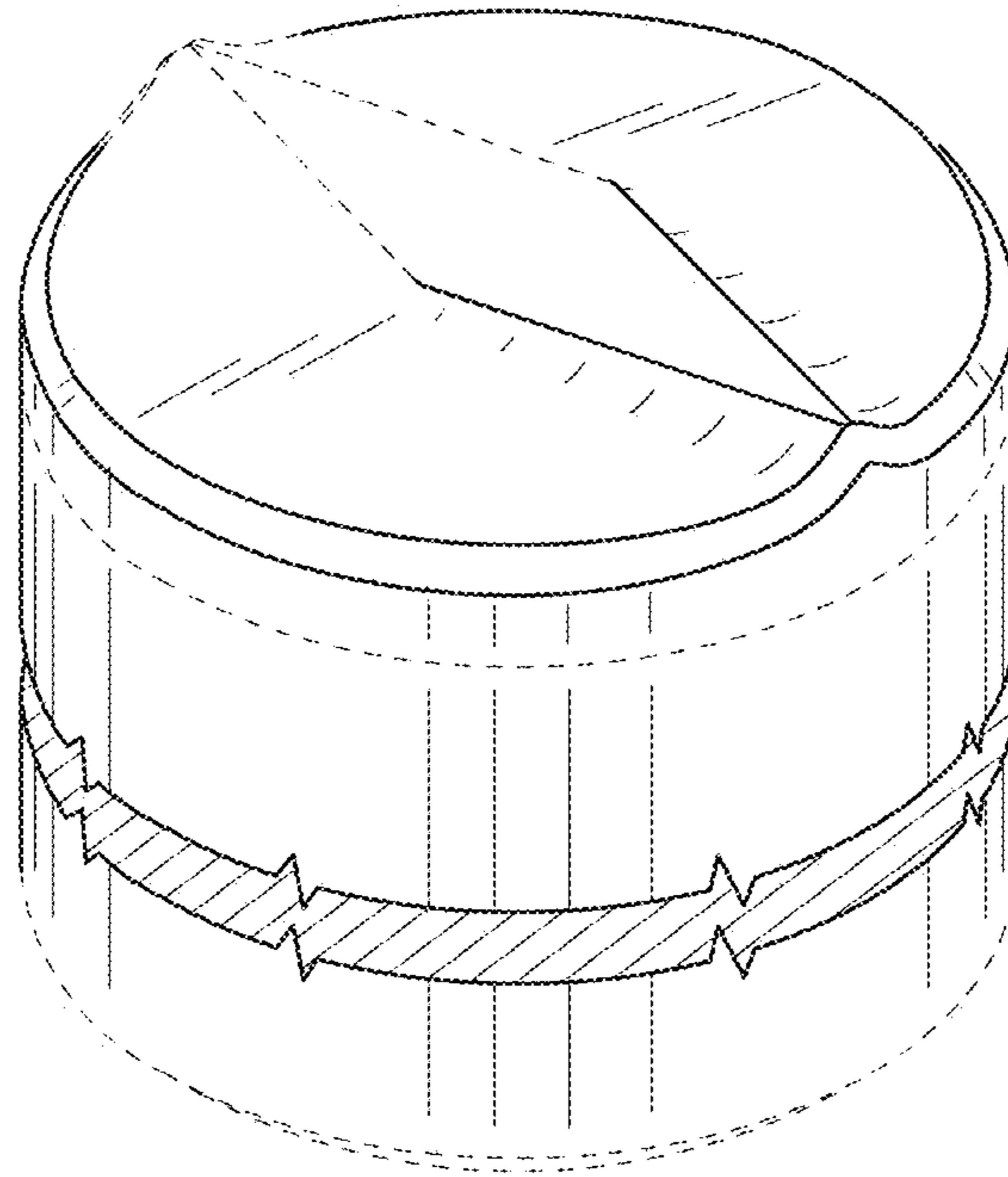


FIG. 1

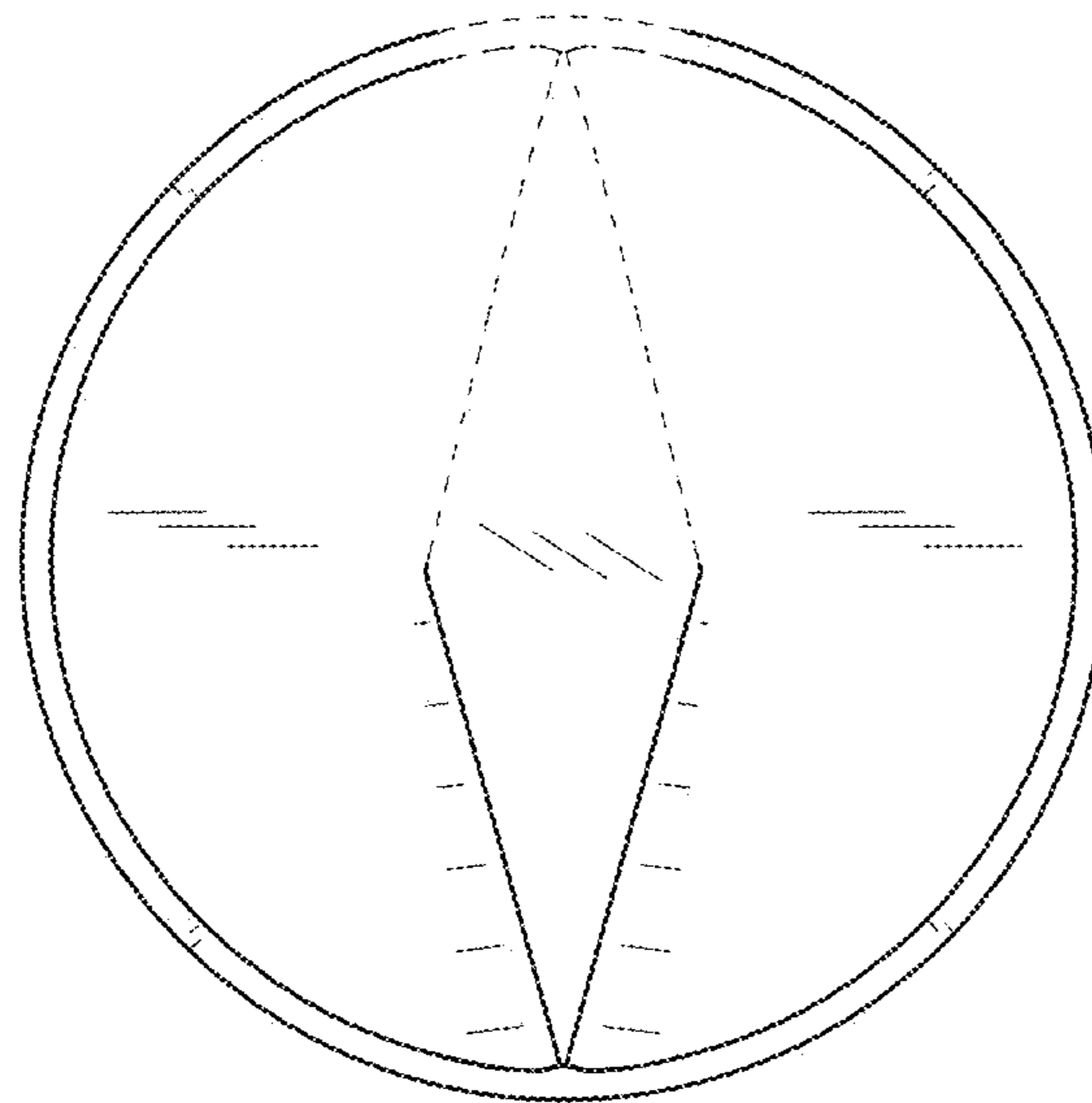


FIG. 2

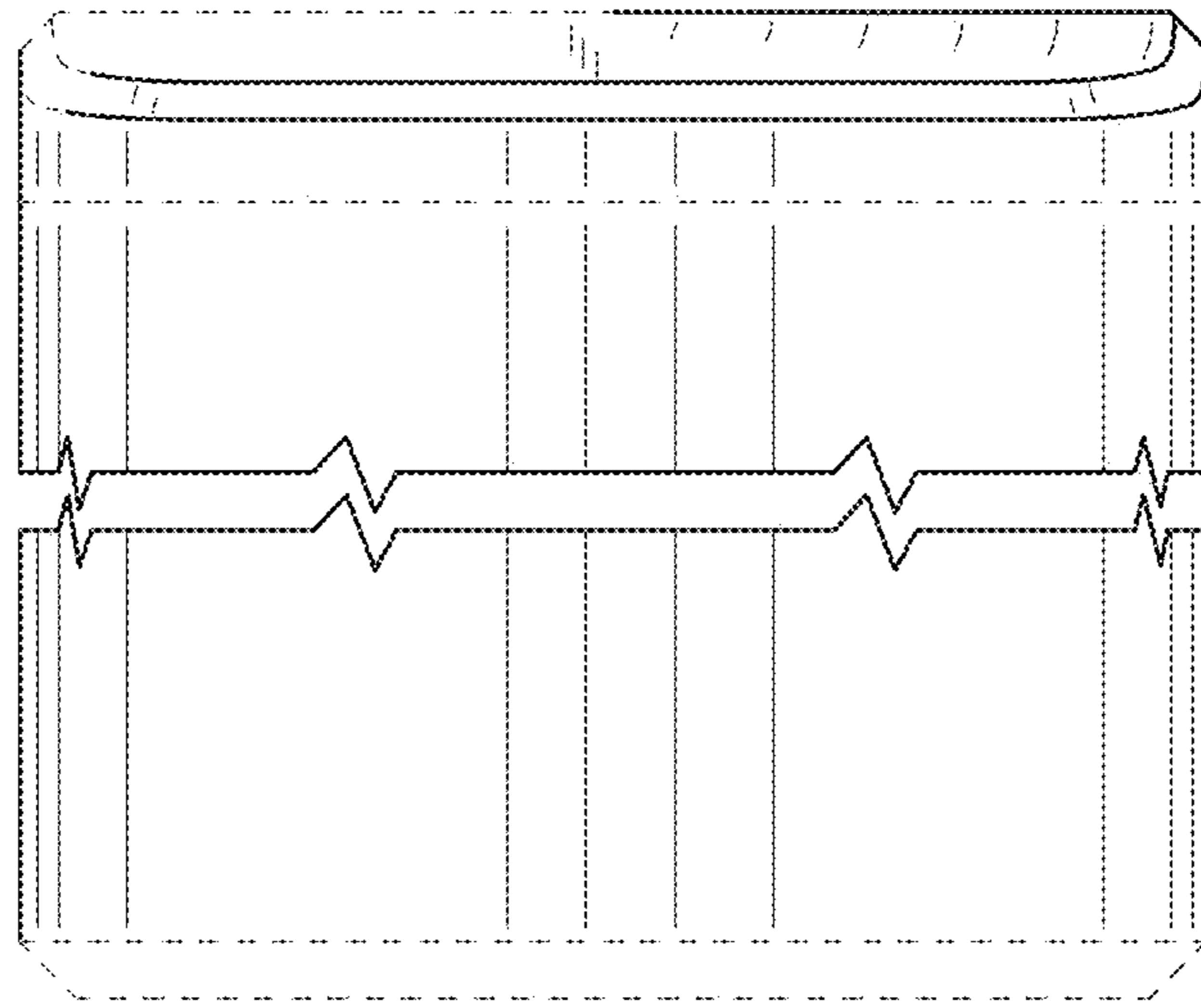


FIG. 3

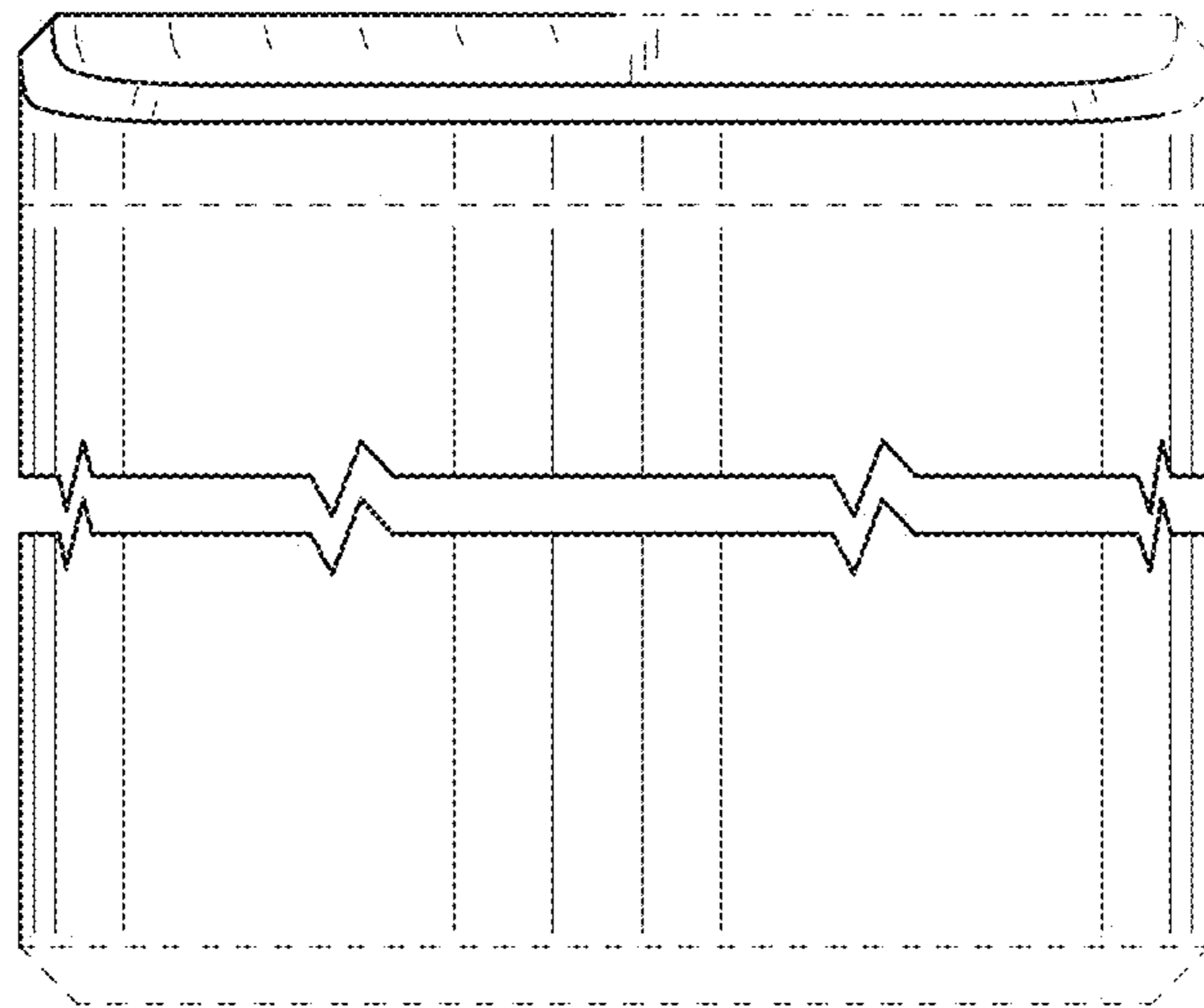


FIG. 4

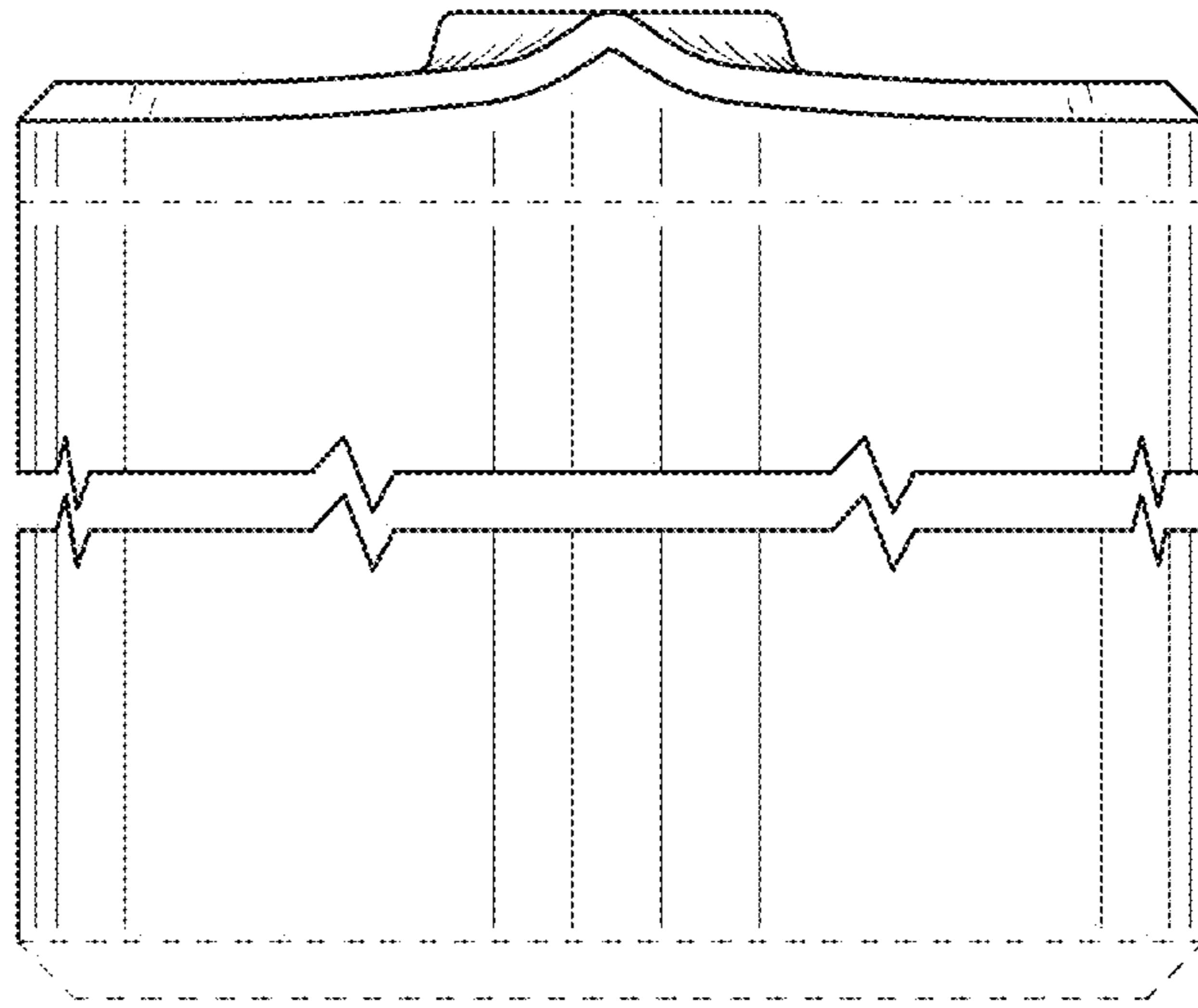


FIG. 5

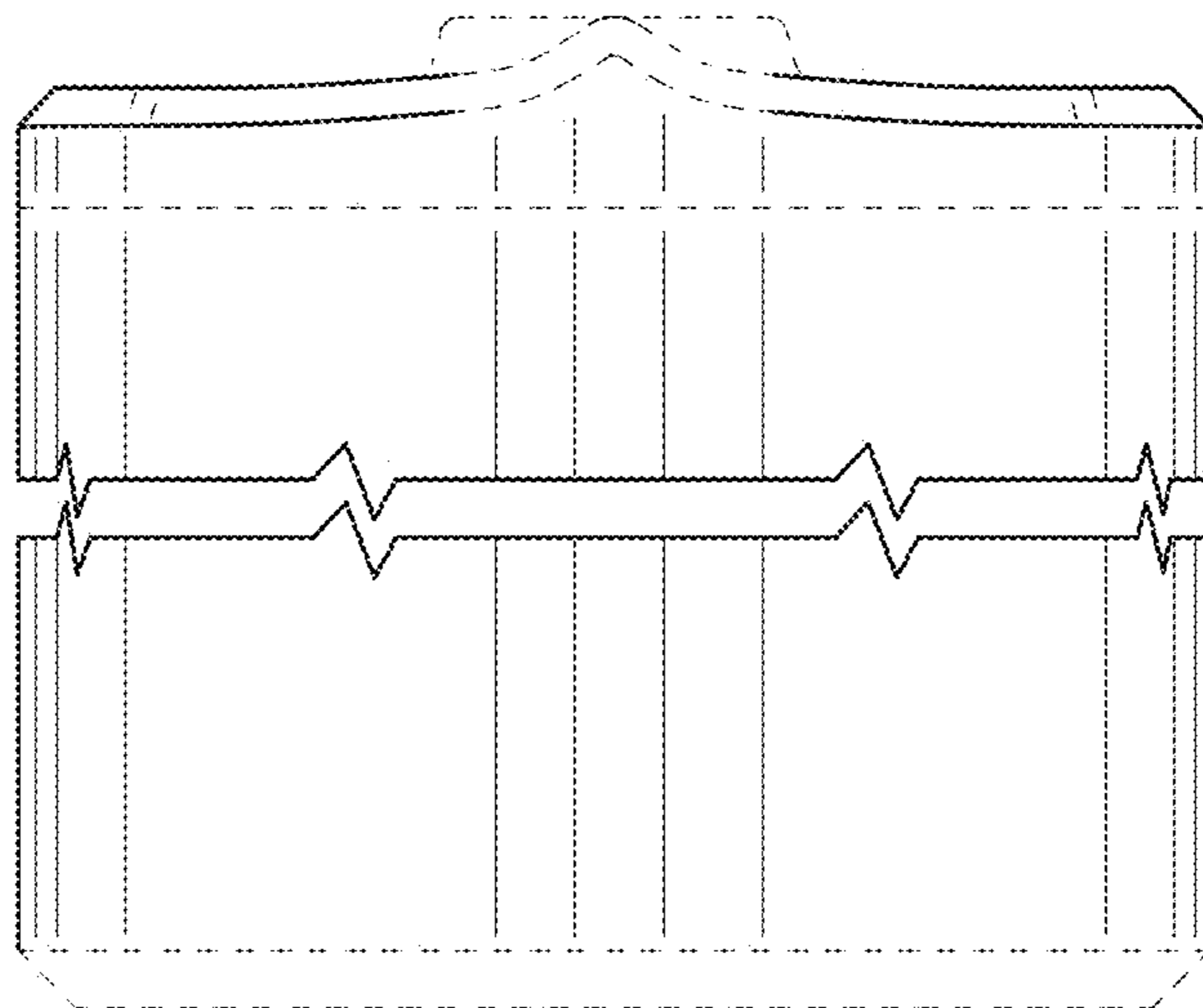


FIG. 6

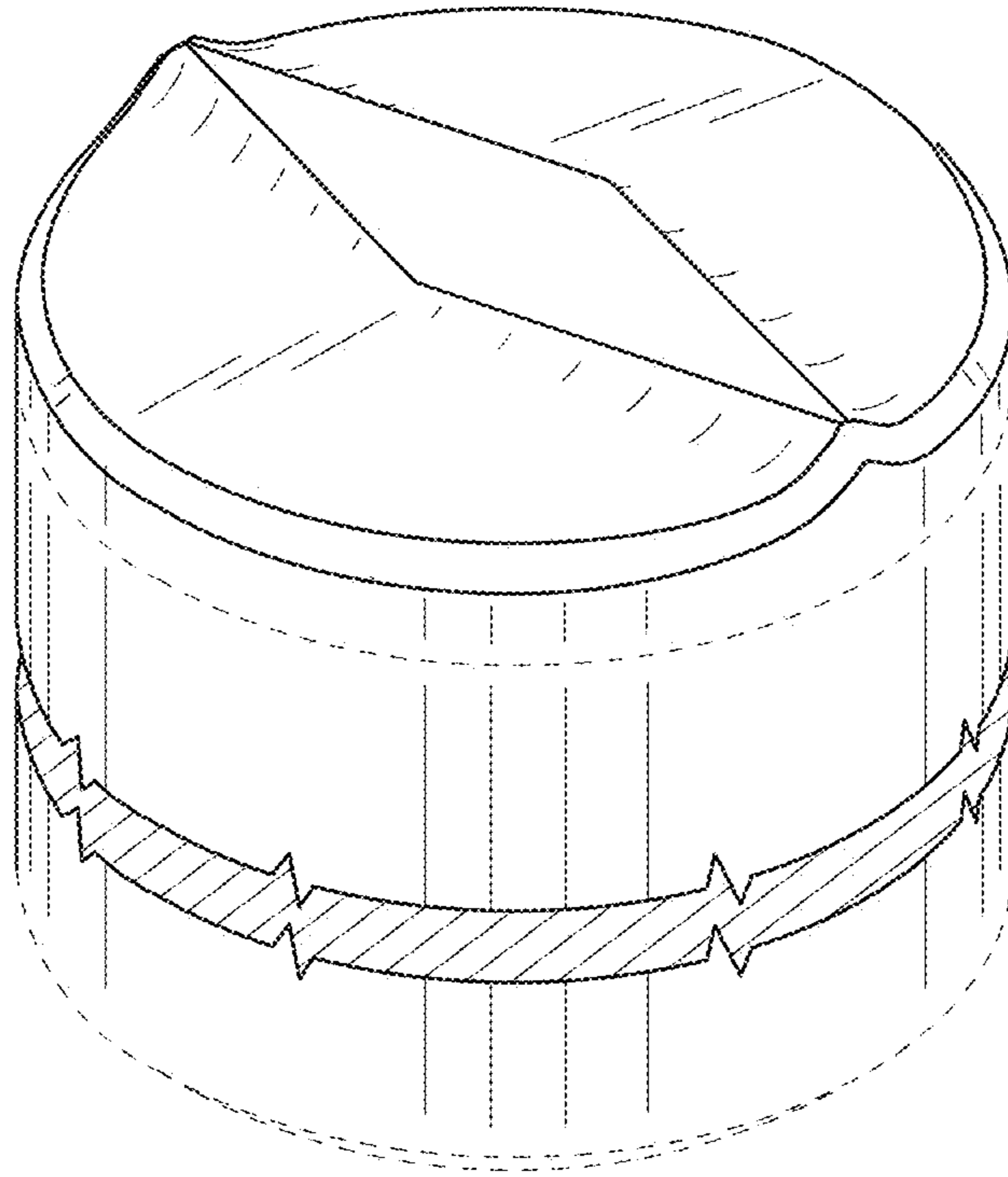


FIG. 7

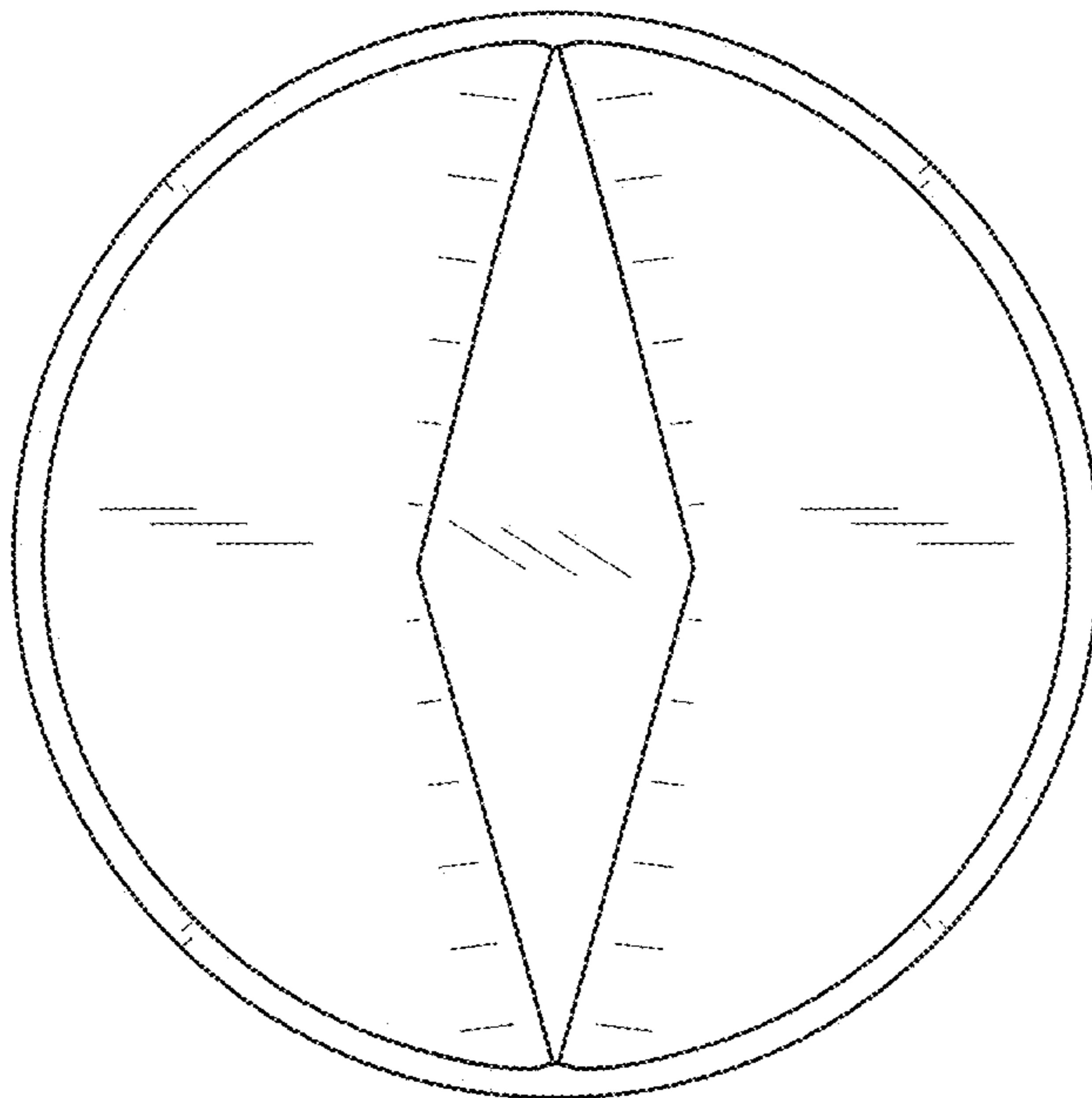


FIG. 8

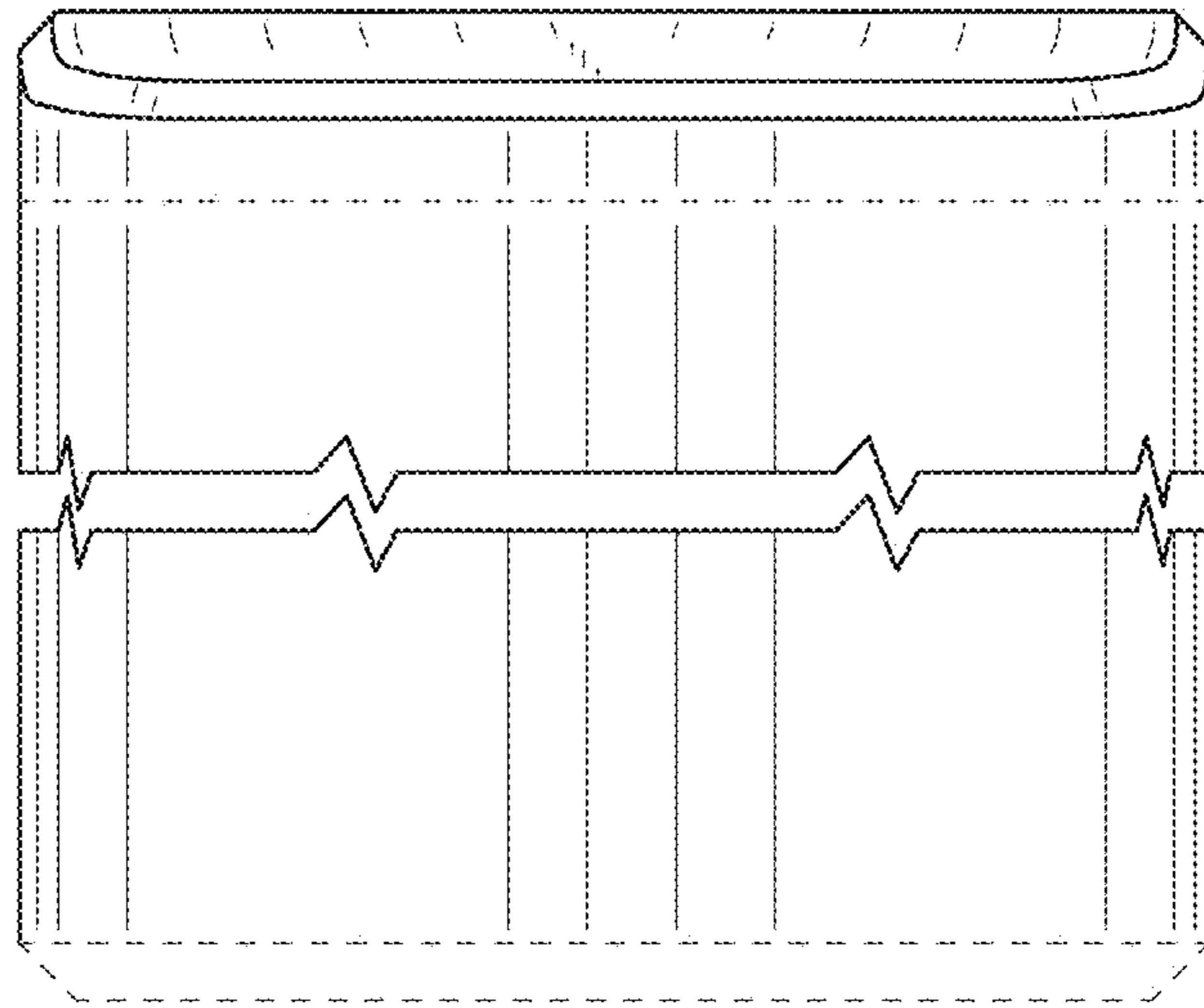


FIG. 9

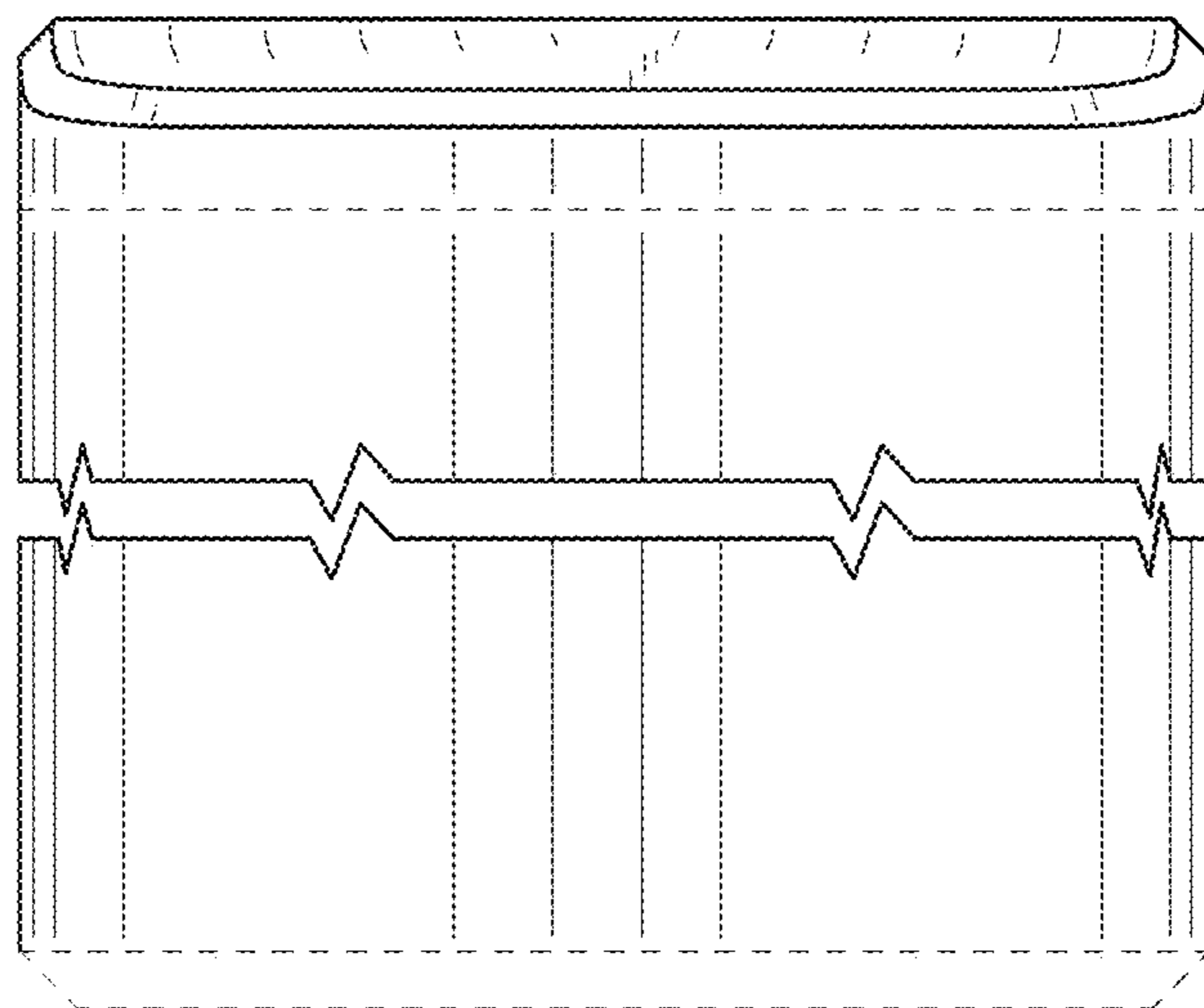


FIG. 10

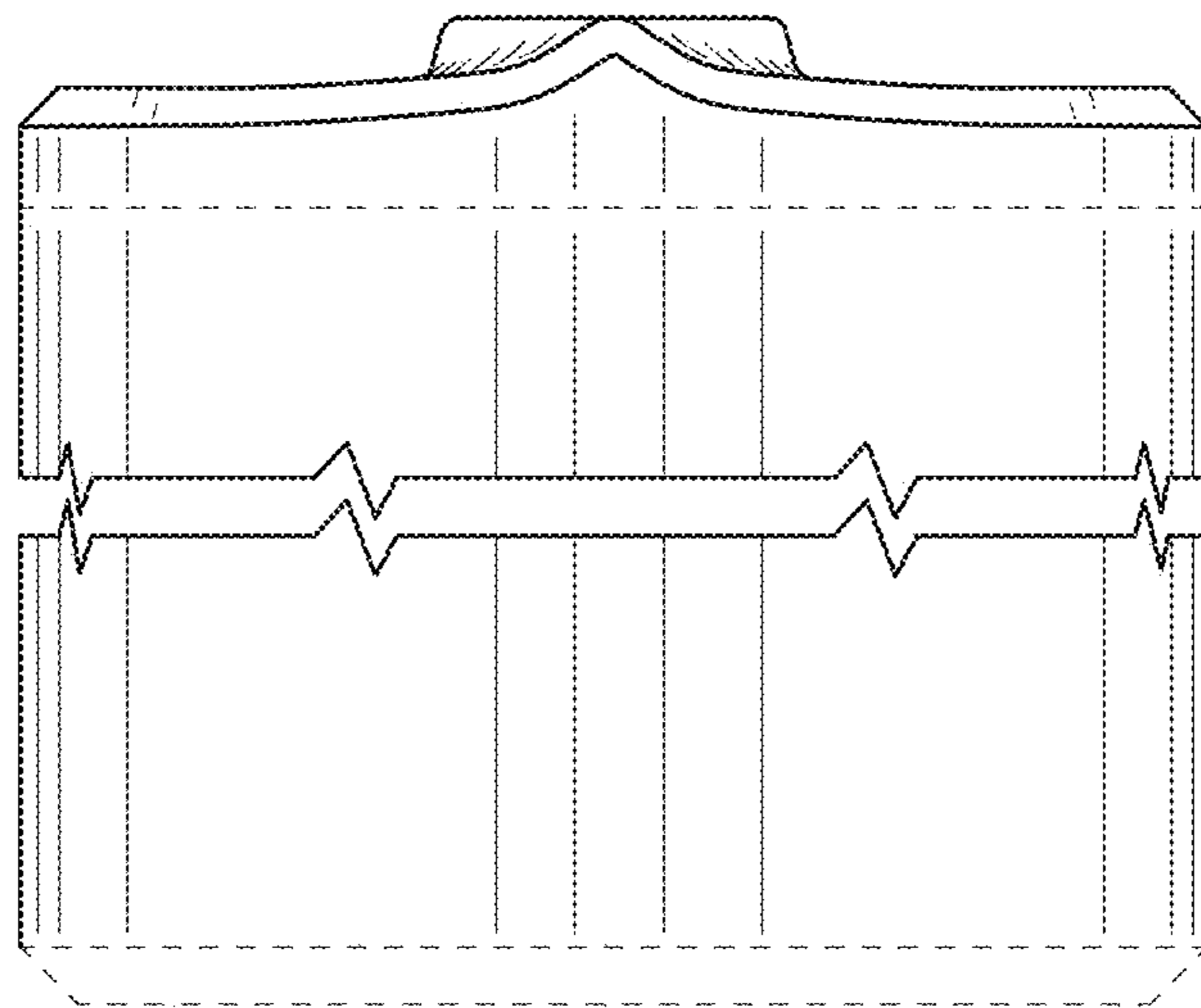


FIG. 11

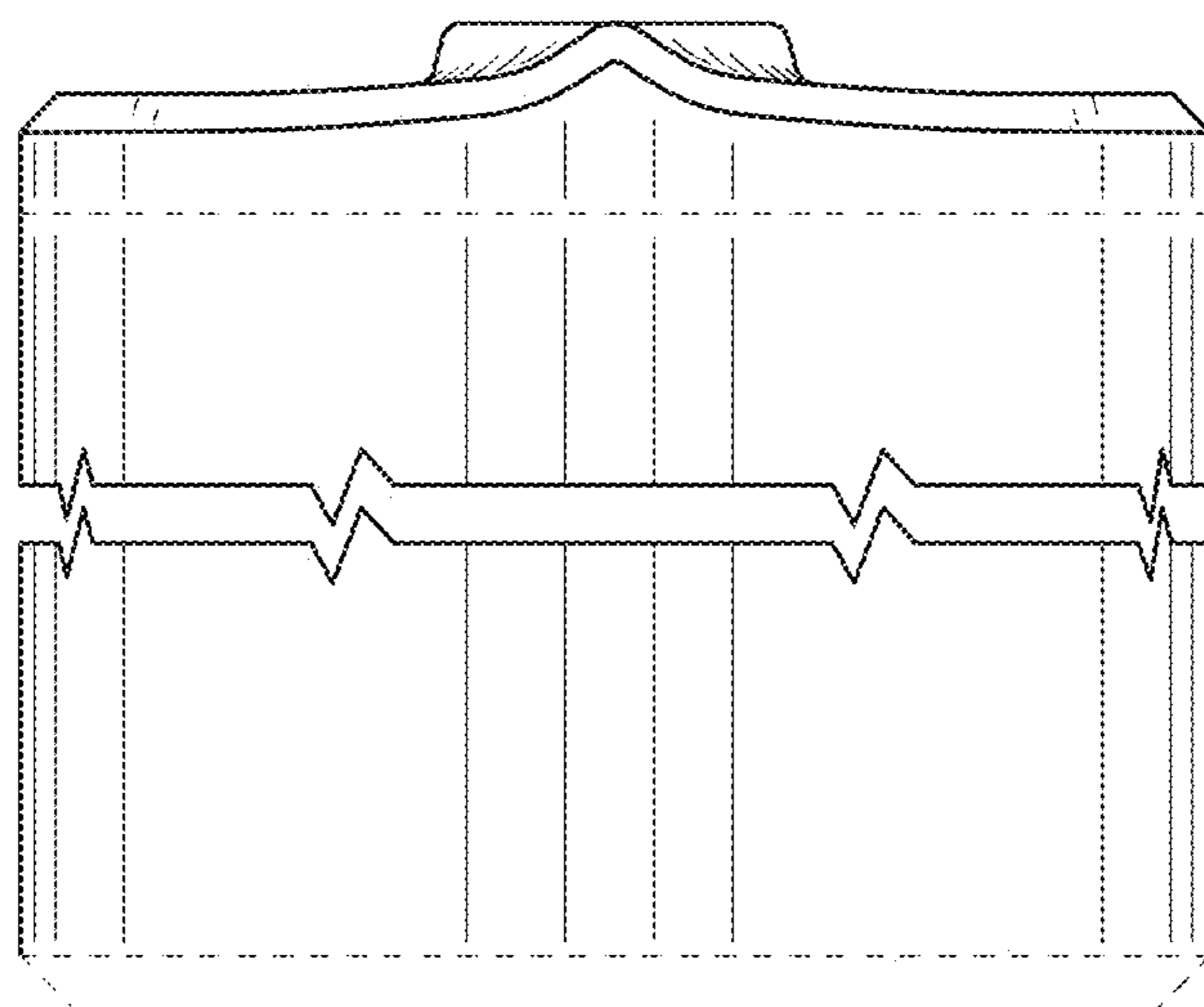


FIG. 12