



US00D878435S

(12) **United States Design Patent**
Fenske

(10) **Patent No.:** **US D878,435 S**
(45) **Date of Patent:** **** Mar. 17, 2020**

(54) **DIE**
(71) Applicant: **Greenlee Tools, Inc.**, Rockford, IL
(US)
(72) Inventor: **John Russell Fenske**, Machesney Park,
IL (US)

7,278,345 B2 10/2007 Schimmels
D565,951 S 4/2008 Sandford
D566,056 S 4/2008 Edmond et al.
D566,057 S 4/2008 Edmond et al.
D568,347 S 5/2008 Manera et al.
7,444,910 B2 11/2008 Marocco
7,506,567 B2 3/2009 Simokovic

(Continued)

(73) Assignee: **GREENLEE TOOLS, INC.**, Rockford,
IL (US)

FOREIGN PATENT DOCUMENTS

(**) Term: **15 Years**

DE 1107485 B 5/1961
DE 202012001605 U1 7/2013
GB 854285 11/1960

(21) Appl. No.: **29/706,681**

OTHER PUBLICATIONS

(22) Filed: **Sep. 23, 2019**

Related U.S. Application Data

(62) Division of application No. 29/637,472, filed on Feb.
19, 2018, now Pat. No. Des. 866,623, which is a
division of application No. 15/816,591, filed on Nov.
17, 2017.

Machine Translation of DE1107485B.
Claims for DE1107485B translated by Burg Translations with
statement dated May 1, 2019.
Machine Translation of DE202012001605U1.
DeWalt, DCS350B 20V Max* Threaded Rod Cutter, 2017, <http://www.dewalt.com/products/power-tools/cable-cutting-and-crimping/20v-max-cordless-threaded-rod-cutter/dcs350b>, 3 pages.

(Continued)

(51) **LOC (12) Cl.** **15-09**

(52) **U.S. Cl.**
USPC **D15/136**

(58) **Field of Classification Search**
USPC D15/122, 127, 128, 129, 135, 136, 138
CPC B21D 35/00; B23D 15/00; B23D 15/14;
Y10T 83/8763; Y10T 83/9447
See application file for complete search history.

Primary Examiner — Patricia A Palasik
(74) *Attorney, Agent, or Firm* — Klintworth & Rozenblat
IP LLP

(57) **CLAIM**

The ornamental design for a die, as shown and described.

(56) **References Cited**

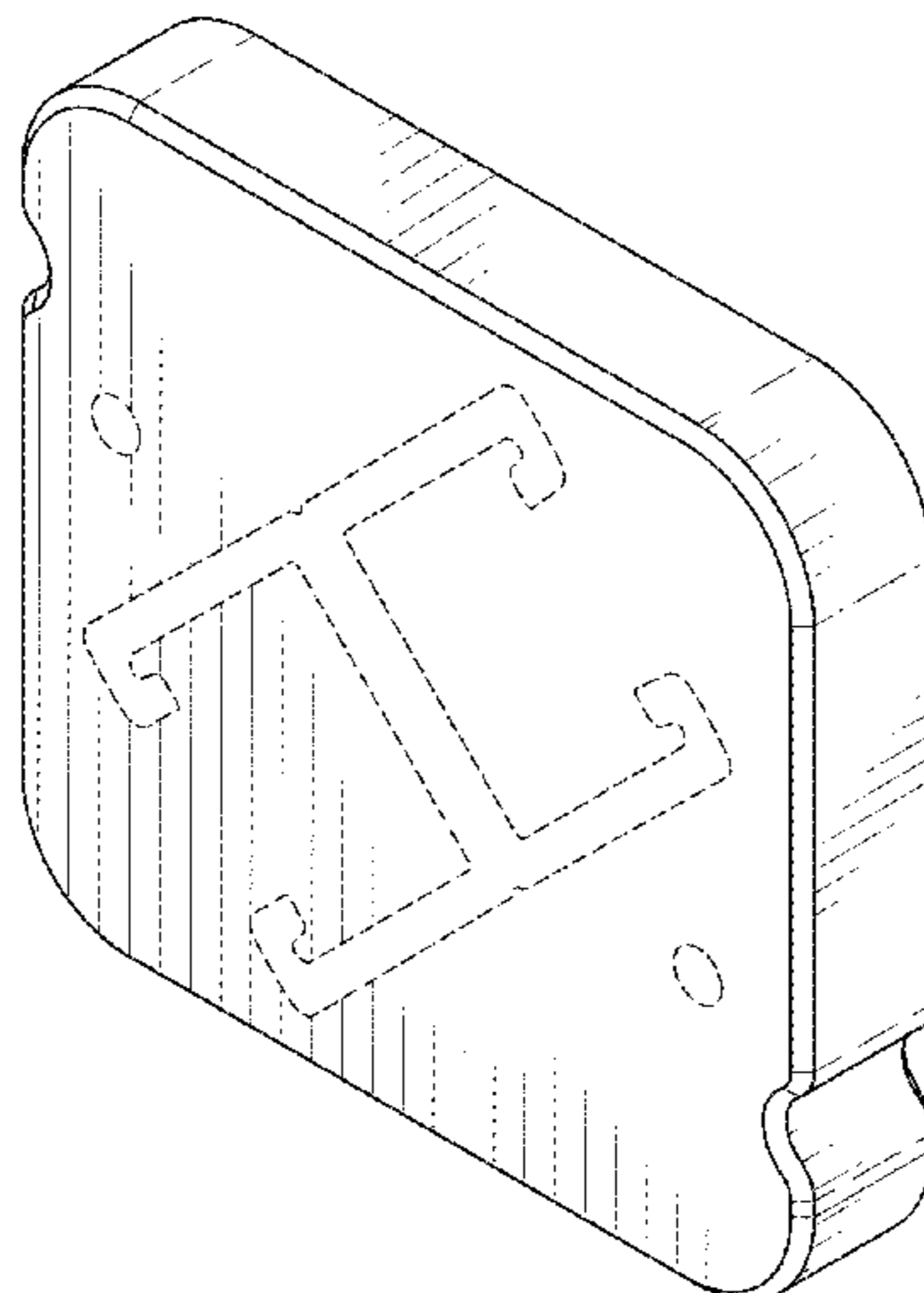
DESCRIPTION

U.S. PATENT DOCUMENTS

3,678,724 A 7/1972 Stone et al.
5,816,126 A 10/1998 Pluber
6,089,134 A 7/2000 Marocco
6,230,542 B1 5/2001 Frenken
6,240,824 B1 6/2001 Hsu
7,044,043 B2 5/2006 Cheng
D524,873 S 7/2006 Wickens
7,069,833 B2 7/2006 Roberts et al.
7,107,889 B2 9/2006 Marocco
7,216,573 B2 5/2007 Friend
D548,250 S 8/2007 Baumeister et al.

FIG. 1 is a rear perspective view of the die;
FIG. 2 is a front elevation view of the die;
FIG. 3 is a rear elevation view of the die;
FIG. 4 is a left side elevation view of the die;
FIG. 5 is a right side elevation view of the die;
FIG. 6 is a top plan view of the die; and,
FIG. 7 is a bottom plan view of the die.
The broken lines in the drawings depict portions of the die
which form no part of the claimed design.

1 Claim, 3 Drawing Sheets



(56)

References Cited

U.S. PATENT DOCUMENTS

D643,446 S	8/2011	Gupta et al.	
D645,066 S	9/2011	Sakae	
D659,470 S	5/2012	Narwankar et al.	
D675,237 S	1/2013	Broadbent et al.	
8,739,666 B2	6/2014	Kollman	
D708,156 S	7/2014	Joo et al.	
D714,368 S	9/2014	Kmoch et al.	
D736,280 S	8/2015	Myrhum, Jr. et al.	
D741,921 S	10/2015	Jarvius et al.	
D741,922 S	10/2015	Cowley	
D764,554 S	8/2016	Charles et al.	
D792,193 S	7/2017	Ullbors	
D830,432 S	10/2018	Martino	
D866,623 S *	11/2019	Fenske	D15/136
2005/0166734 A1	8/2005	Friend	

OTHER PUBLICATIONS

Edwards Strut Pro, <http://www.edwardsstrutpro.com/images/pdf/espOperatorsManual.pdf>, 2012, 3 pages.

Armorgard Cuttingstation, www.armorgard.co.uk/prod/cuttingstation, 2017, 2 pages.

“Wilton The New Strut Cutter,” www.edwardsstrutpro.com/comparisonStudy.html, 2017, 9 pages.

Cutter Assembly, threaded Rod, Greenlee, www.greenlee.com/products/CUTTER-ASSY%2540c-THREADED-ROD.html, 2017, 1 page.

18V Stud Cutter Bare Tool, www.hitachipowertools.co.nz/shop/Cordless/Saws+Cutters++Multi+Tools/18V+Stud+Cutter+Bare+Tool.html, 2014, 2 pages.

Extended European Search Report for corresponding European Patent Application No. 18206710.8 dated Apr. 2, 2019, 7 pages.

* cited by examiner

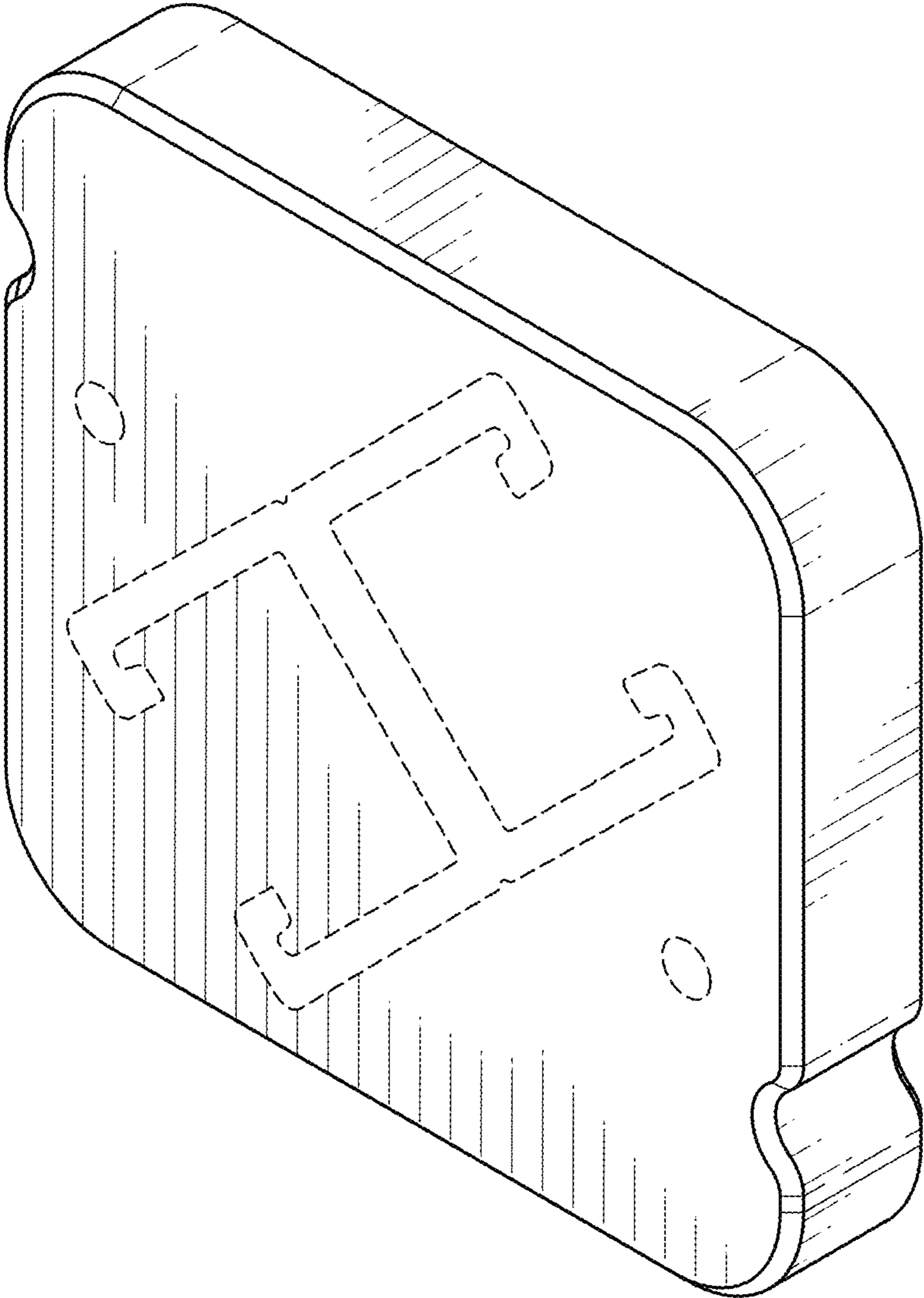


FIG. 1

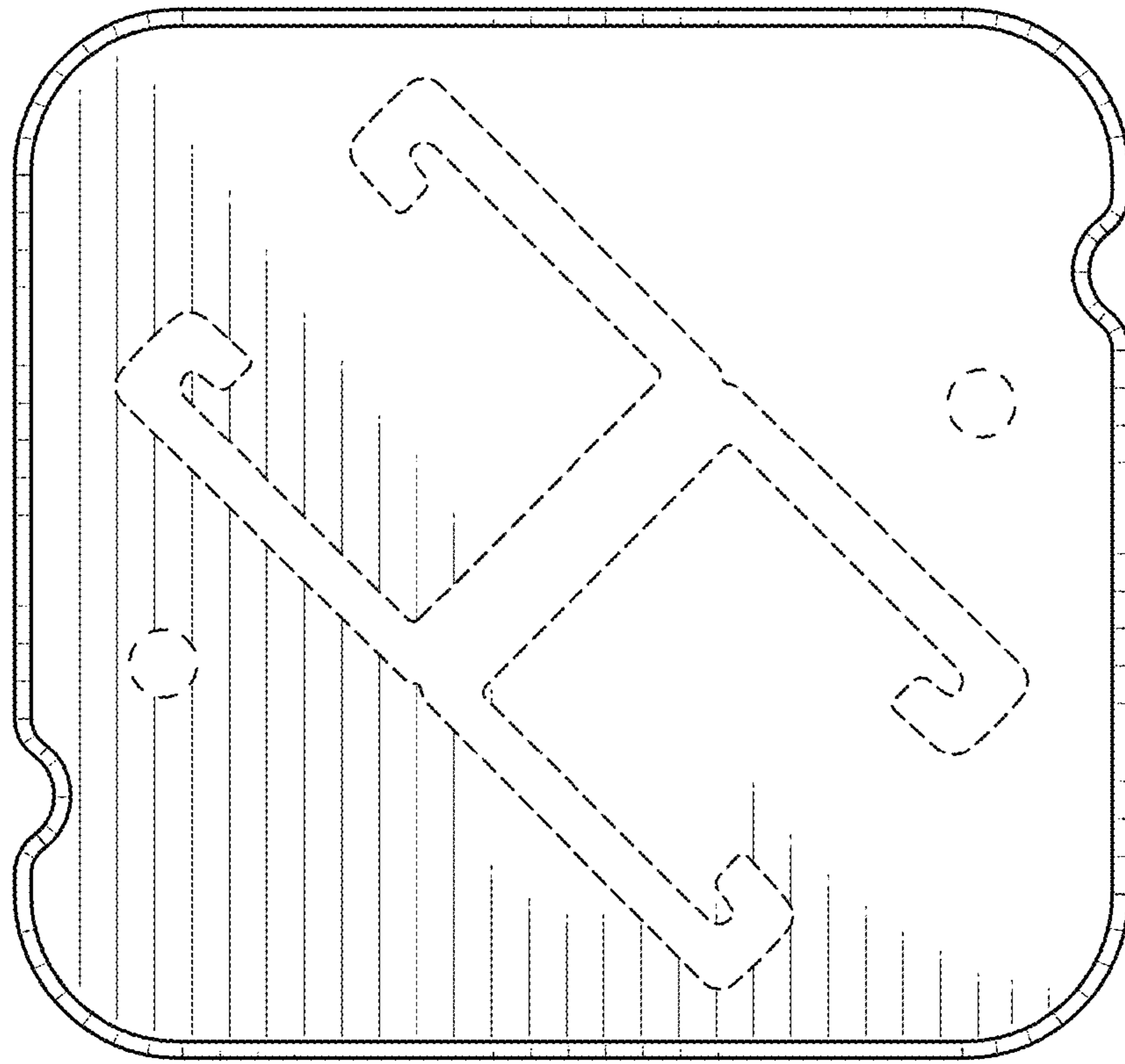


FIG. 2

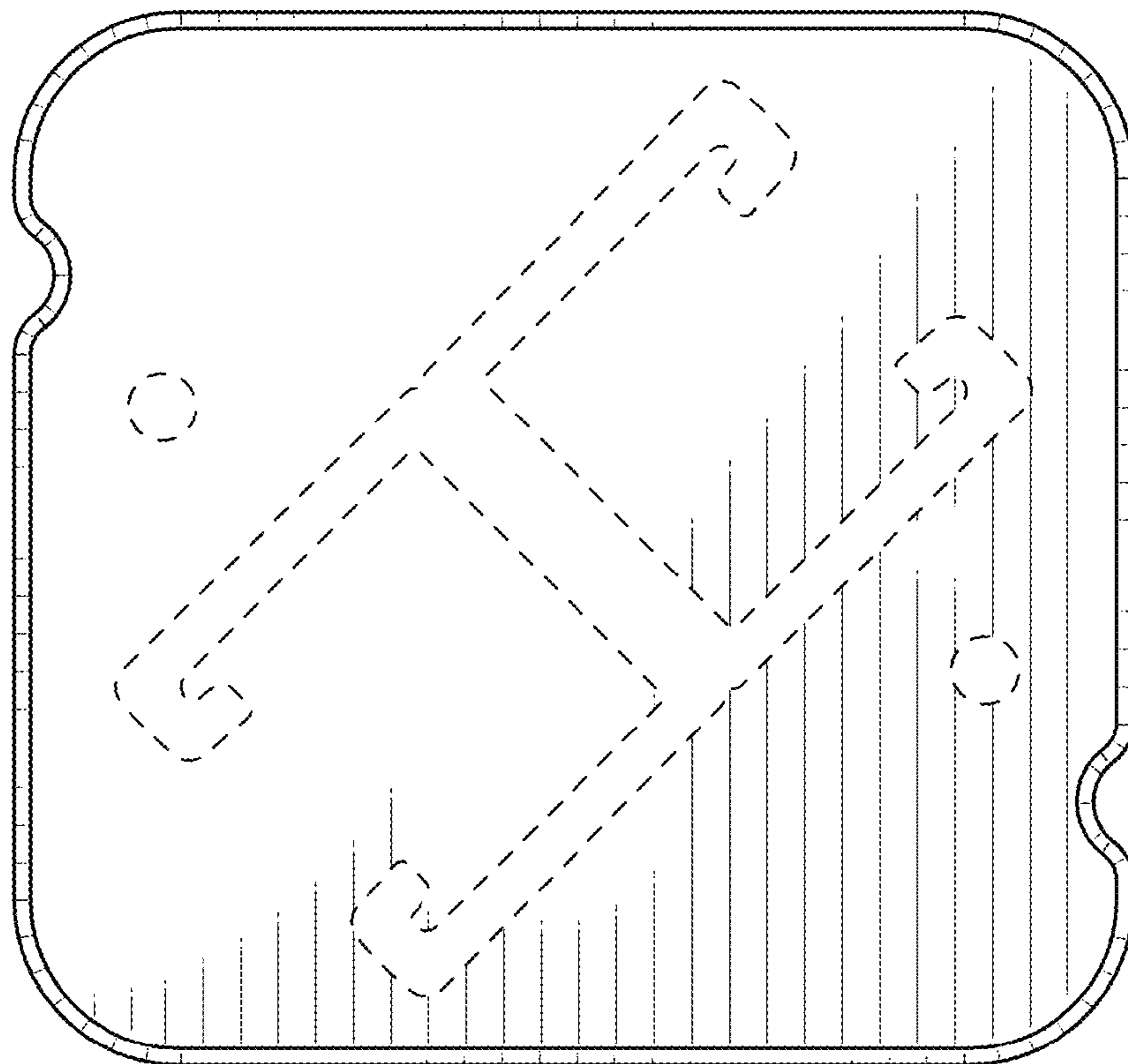


FIG. 3

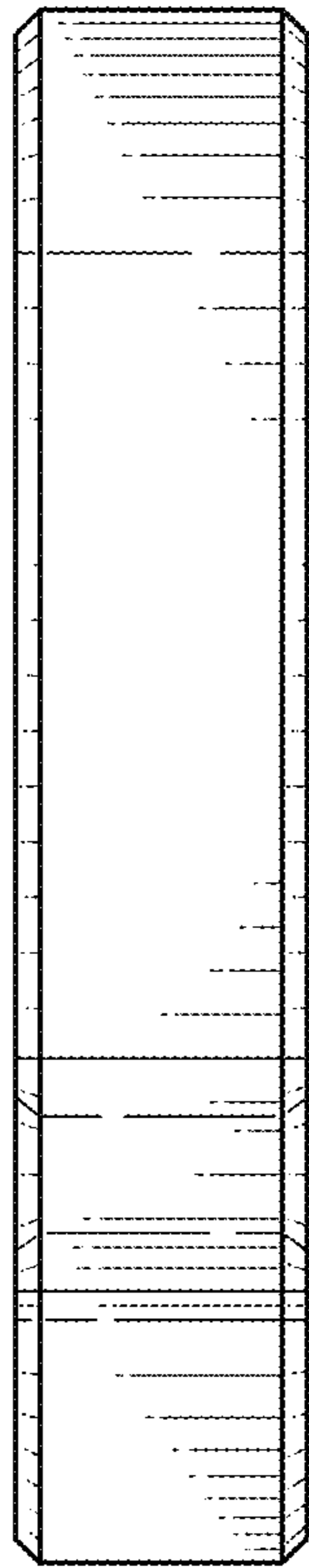


FIG. 4

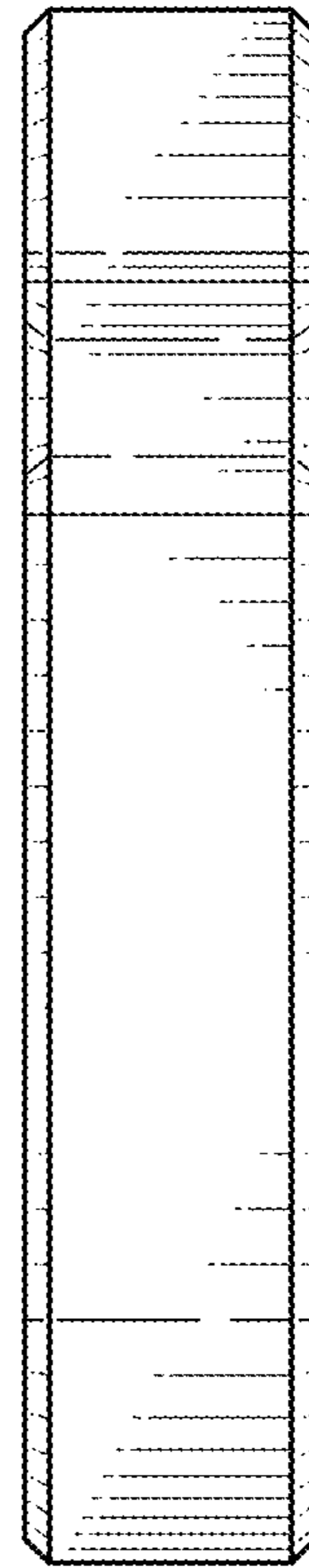


FIG. 5

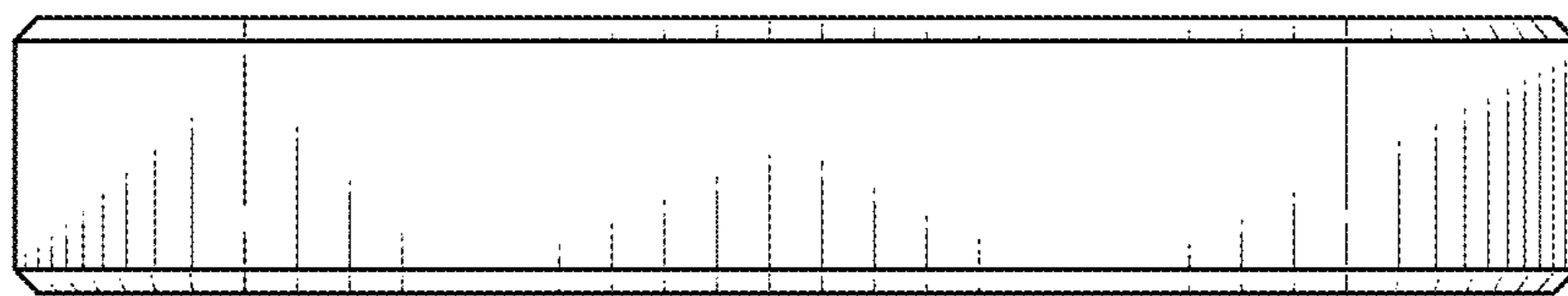


FIG. 6

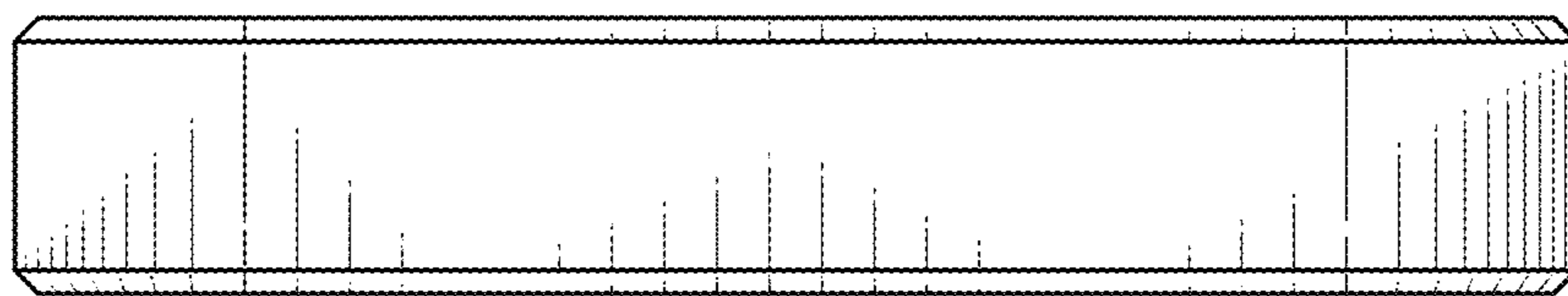


FIG. 7