



US00D878433S

(12) **United States Design Patent**  
**Bradley**

(10) **Patent No.:** **US D878,433 S**

(45) **Date of Patent:** **\*\* Mar. 17, 2020**

- (54) **REFRIGERATOR DOOR**
- (71) Applicant: **Danby Products Limited**, Guelph (CA)
- (72) Inventor: **Oliver Bradley**, Guelph (CA)
- (73) Assignee: **DANBY PRODUCTS LIMITED**,  
Guelph (CA)
- (\*\*) Term: **15 Years**
- (21) Appl. No.: **29/640,783**
- (22) Filed: **Mar. 16, 2018**
- (51) **LOC (12) Cl.** ..... **15-07**
- (52) **U.S. Cl.**  
USPC ..... **D15/91; D15/81**
- (58) **Field of Classification Search**  
USPC ..... D15/79-91  
CPC ..... F25D 17/065; F25D 2317/061; F25D  
2323/023; F25D 23/028; F25D 23/126;  
F25D 11/02; F25D 2201/126; F25D  
2201/1262; F25D 2201/14; F25D  
2323/021; F25D 23/02; F25D 23/025;  
F25D 23/04; F25D 23/062; F25D 23/064;  
F25D 23/065; F25D 23/067; F25D  
2400/361; F25D 25/025; F25D 25/04;  
F25D 29/005; F25D 29/006; F25D  
31/005; F25D 3/06  
See application file for complete search history.

- D474,076 S \* 5/2003 Fromm ..... D15/81
- D474,374 S \* 5/2003 Fromm ..... D15/81
- D474,375 S \* 5/2003 Fromm ..... D15/81
- D492,705 S \* 7/2004 King ..... D15/81
- D501,488 S \* 2/2005 Sato ..... D15/81
- D501,856 S \* 2/2005 Okamoto ..... D15/81
- D653,682 S \* 2/2012 Herning ..... D15/80
- D752,660 S \* 3/2016 Chen ..... D15/81
- D775,245 S \* 12/2016 Seo ..... D15/81
- D800,799 S \* 10/2017 Feng ..... D15/81
- D807,929 S \* 1/2018 Feng ..... D15/81
- D846,600 S \* 4/2019 Guo ..... D15/81
- D847,214 S \* 4/2019 Guo ..... D15/81

\* cited by examiner

*Primary Examiner* — Khawaja Anwar

(74) *Attorney, Agent, or Firm* — Ralph E. Jocke; Walker & Jocke

(57) **CLAIM**

An ornamental design for a refrigerator door, as shown and described.

**DESCRIPTION**

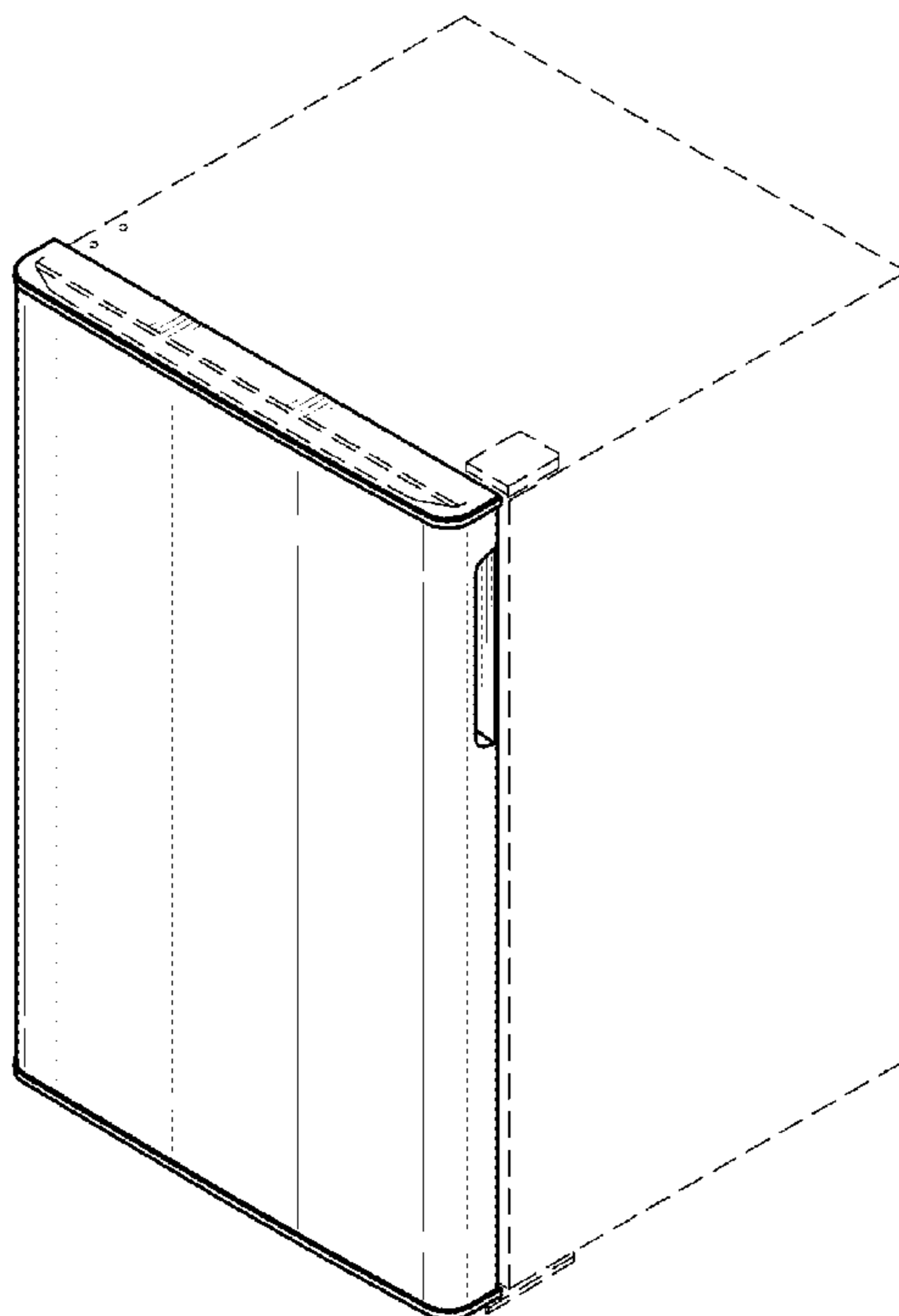
FIG. 1 is a front top right perspective view showing my new design for a refrigerator door.  
 FIG. 2 is a front bottom right perspective view thereof.  
 FIG. 3 is a left side view thereof.  
 FIG. 4 is a front view thereof.  
 FIG. 5 is a right side view thereof.  
 FIG. 6 is a back side view thereof.  
 FIG. 7 is a top side view thereof; and,  
 FIG. 8 is a bottom side view thereof.  
 The broken lines in the drawings depict portions of the refrigerator door that form no part of the claimed design.

(56) **References Cited**

U.S. PATENT DOCUMENTS

- D422,286 S \* 4/2000 Choi ..... D15/81
- D468,325 S \* 1/2003 Lorek ..... D15/81

**1 Claim, 8 Drawing Sheets**



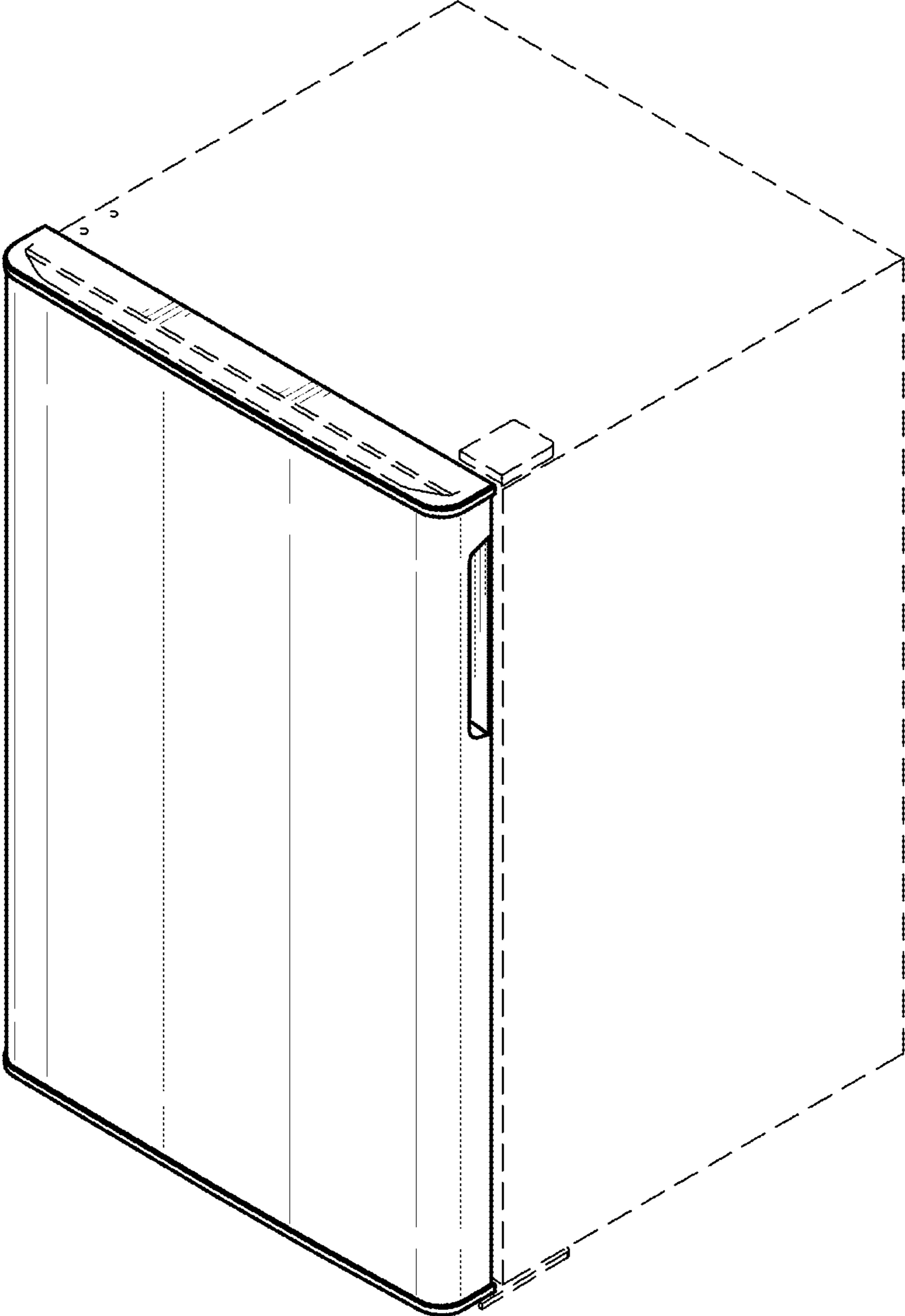


FIG. 1

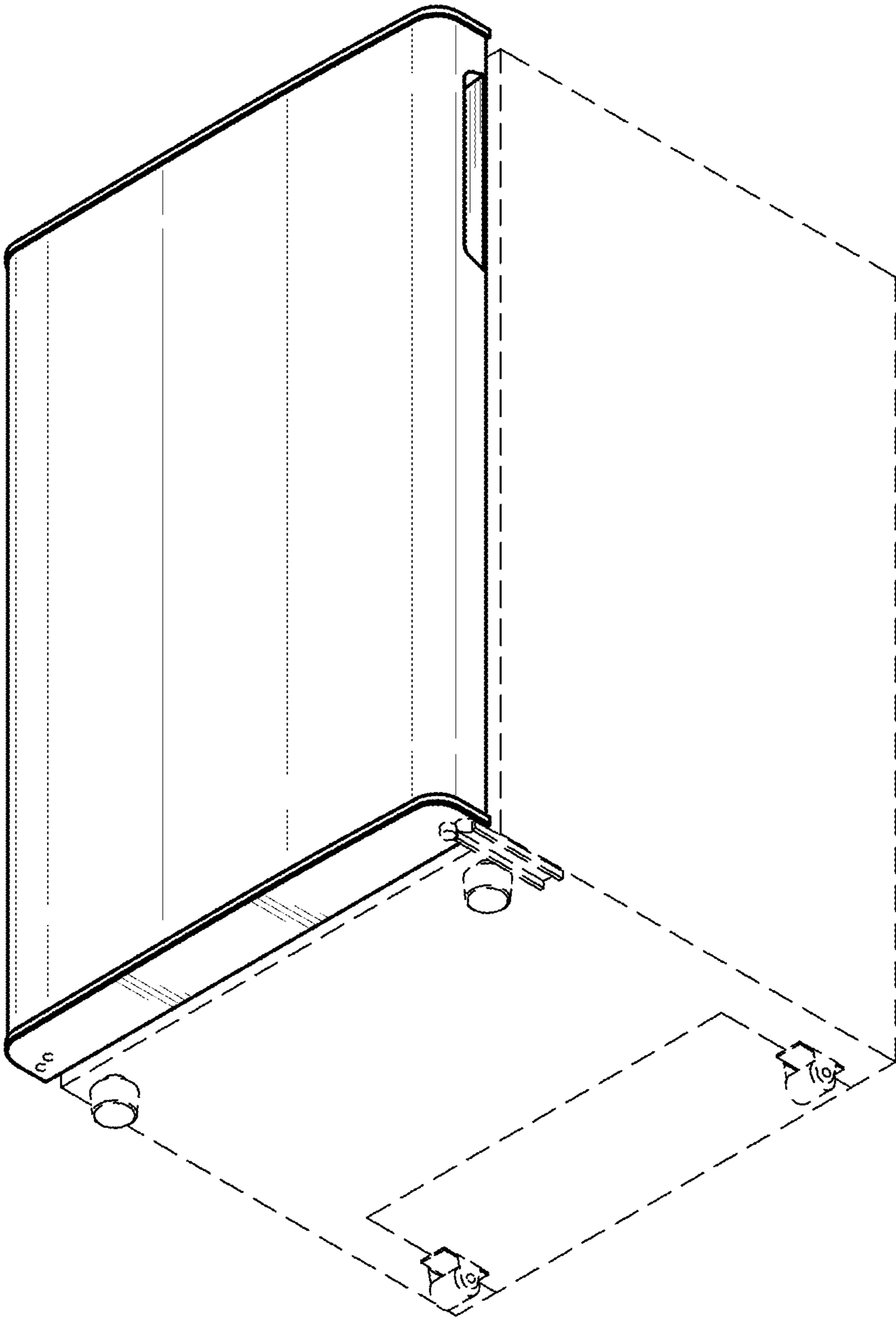


FIG. 2

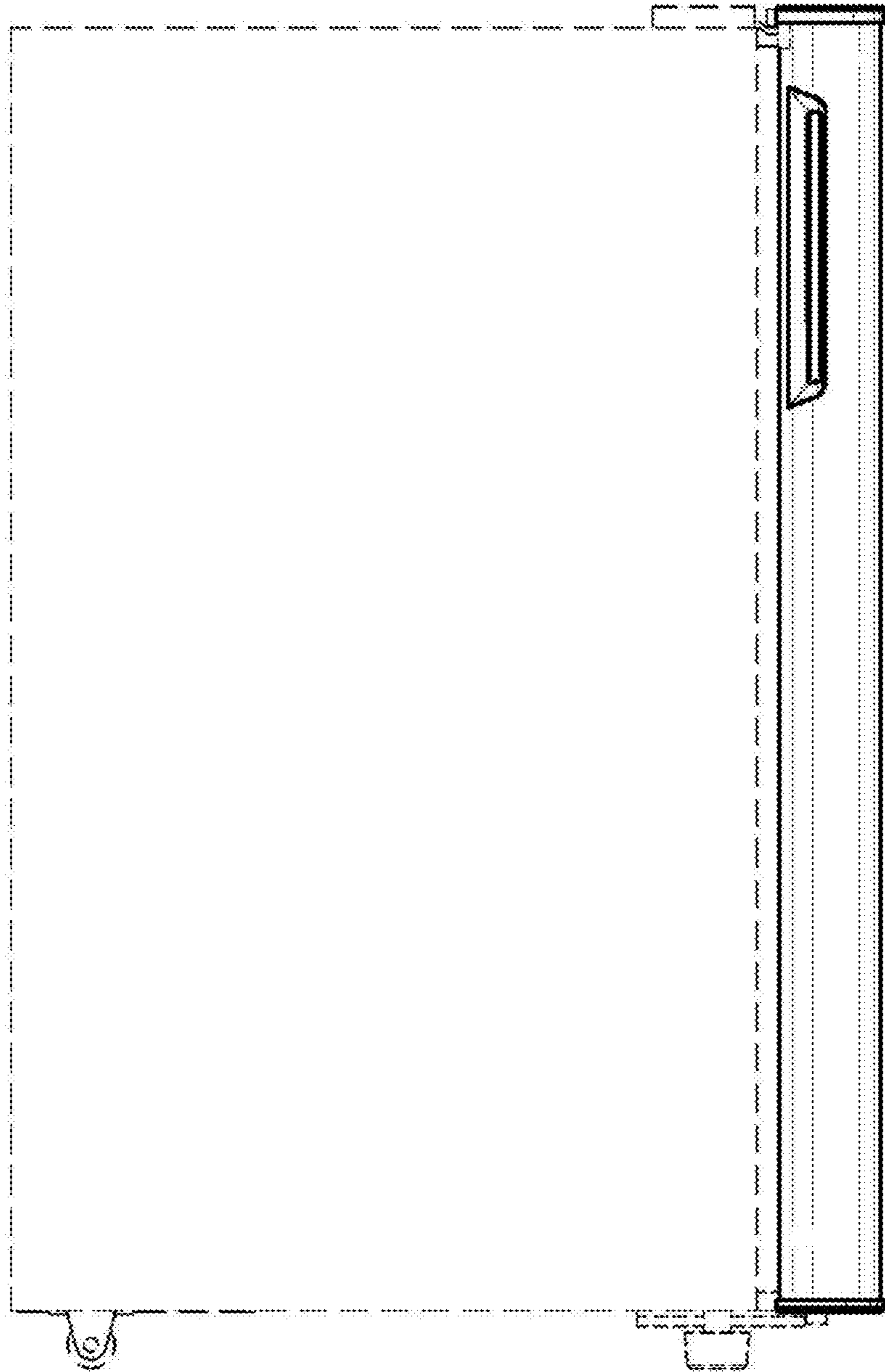


FIG. 3

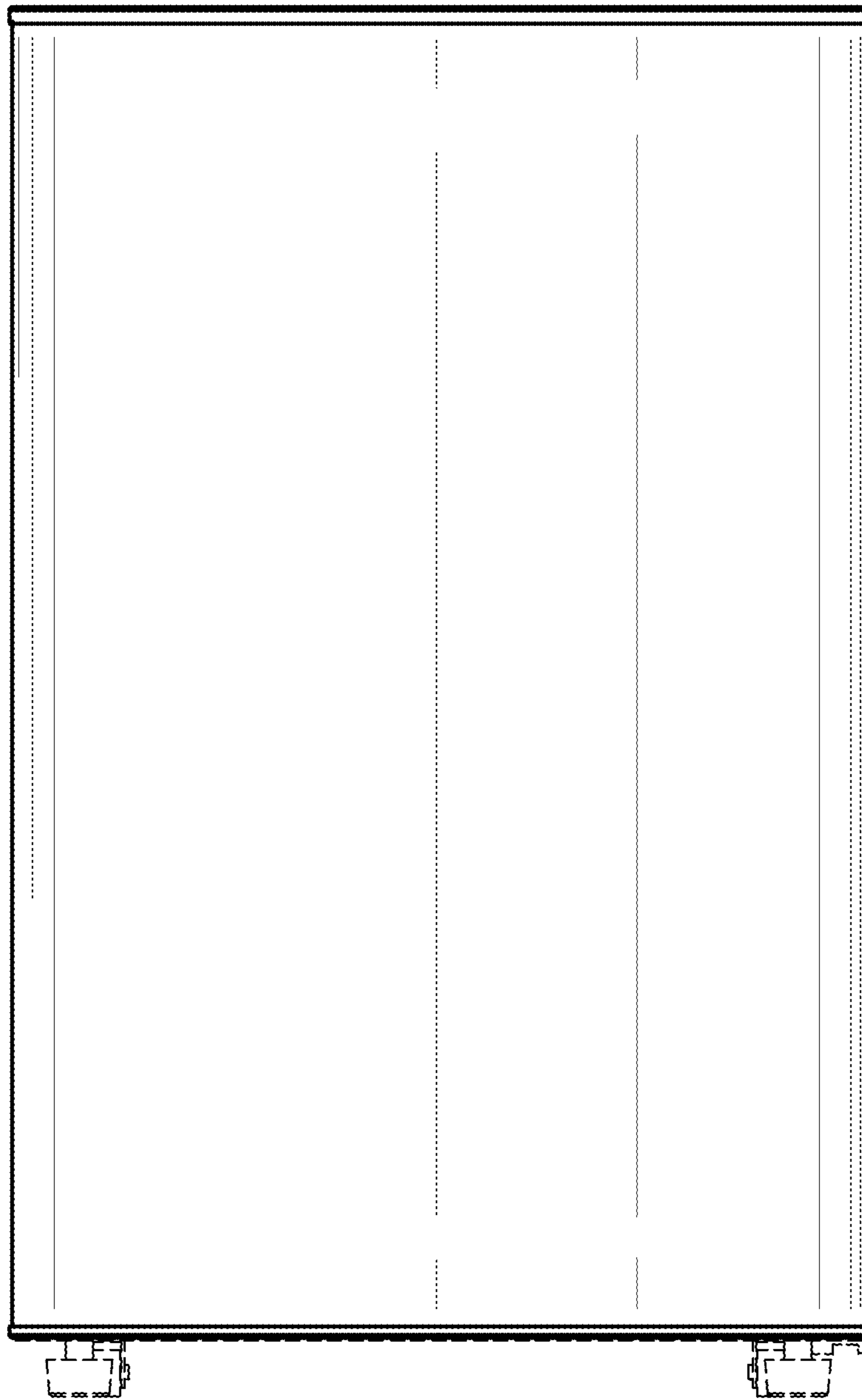


FIG. 4

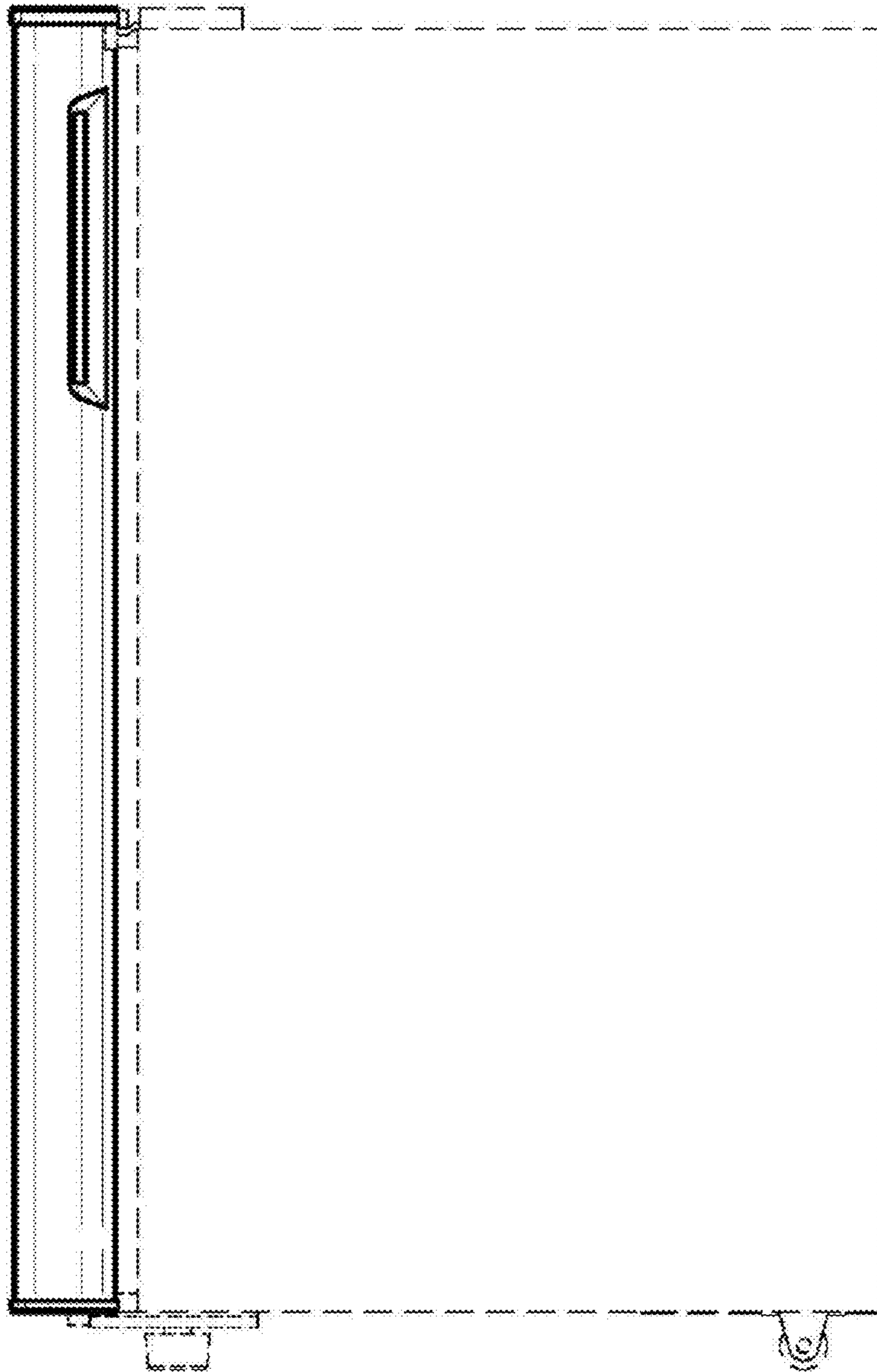


FIG. 5

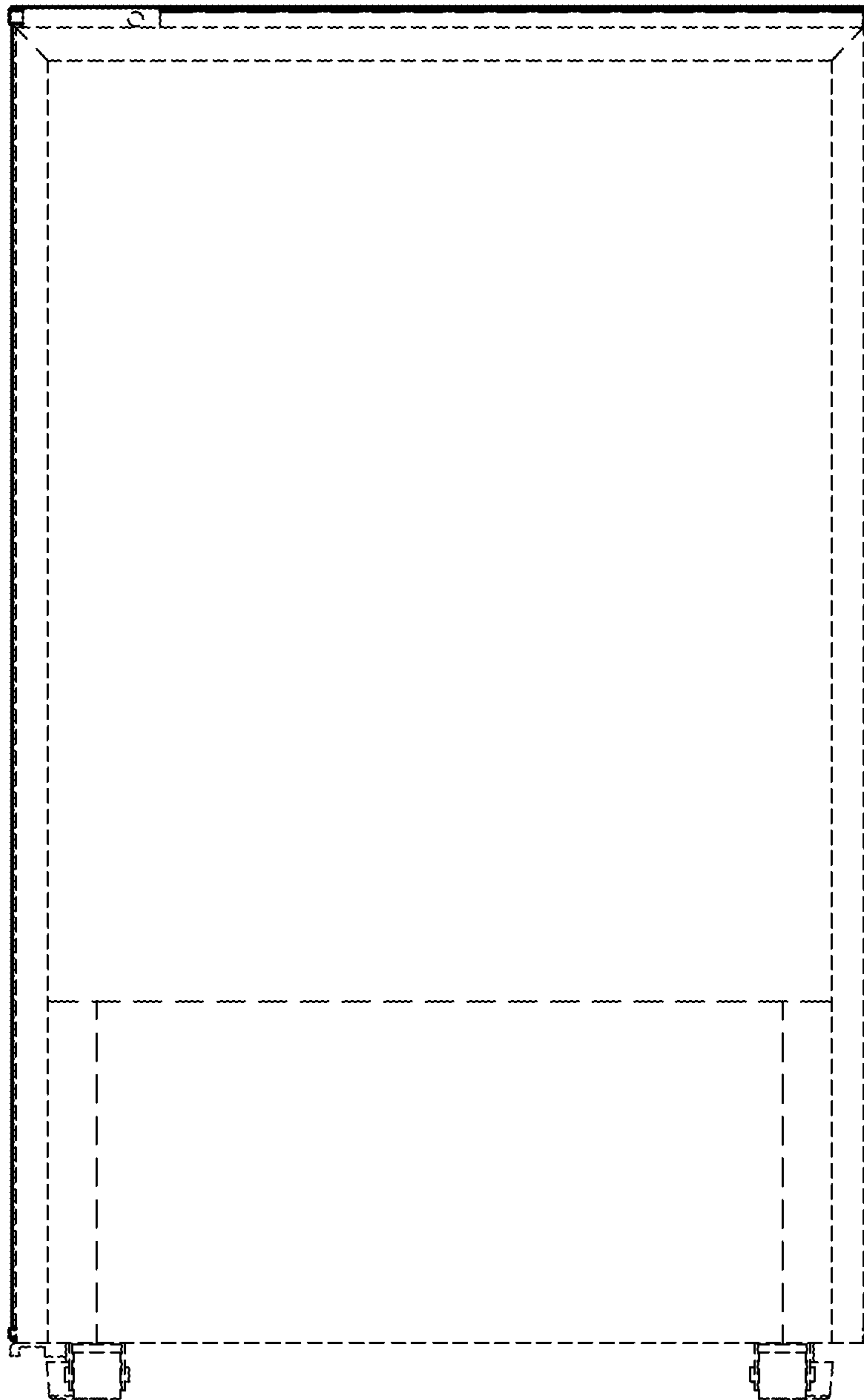


FIG. 6



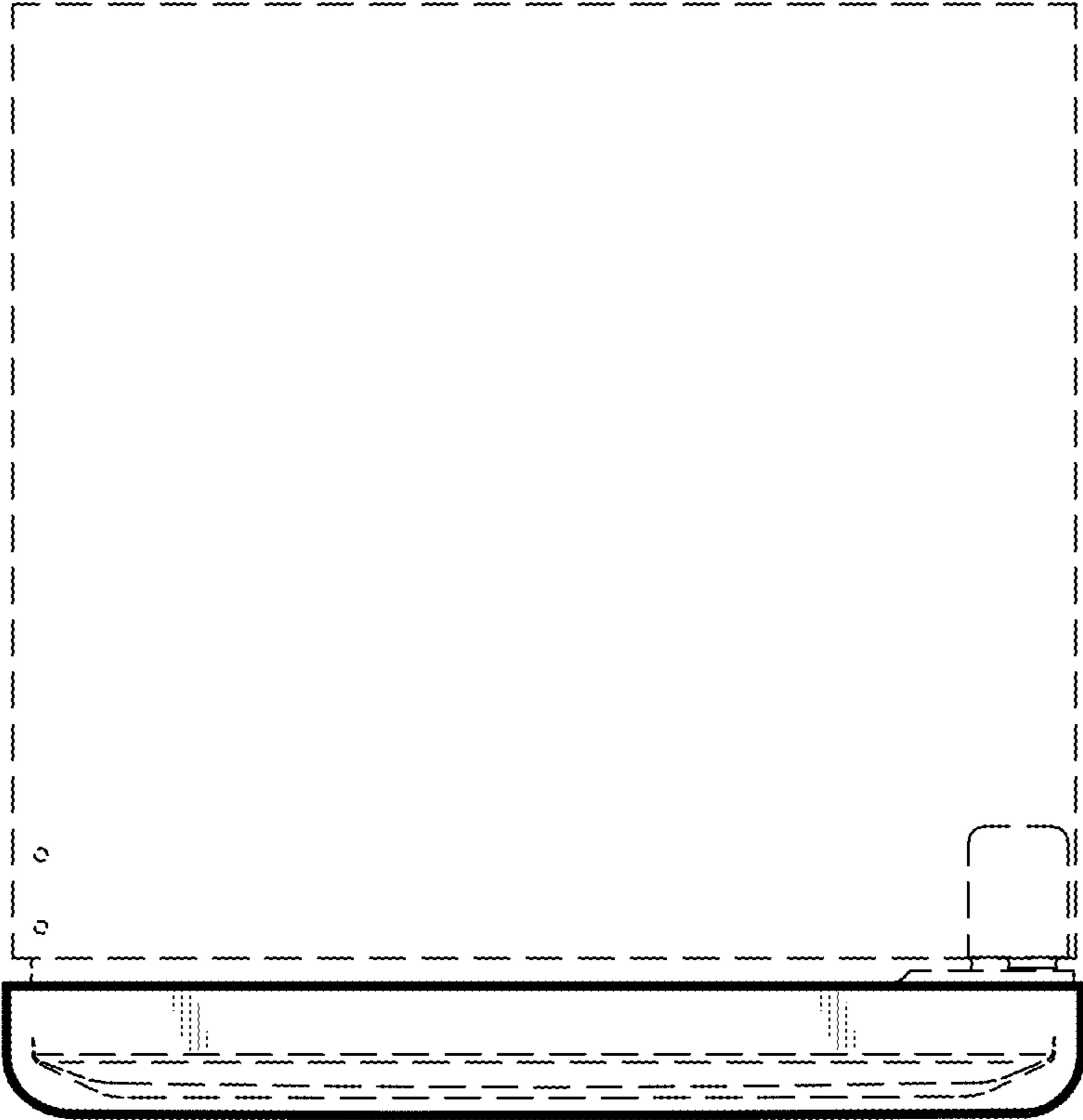


FIG. 7



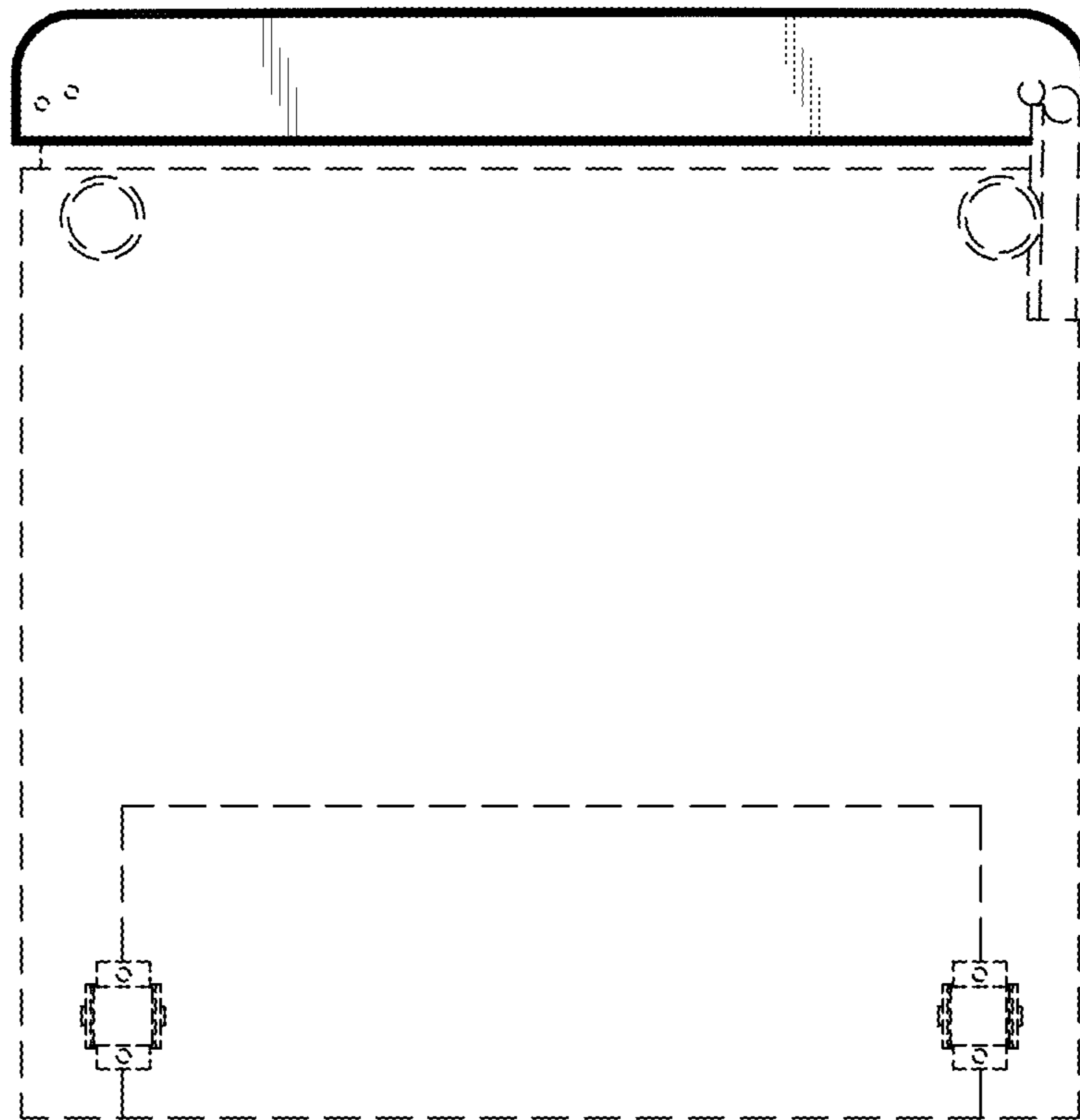


FIG. 8