



US00D878428S

(12) **United States Design Patent** (10) **Patent No.:** **US D878,428 S**
Furuki et al. (45) **Date of Patent:** **** Mar. 17, 2020**

(54) **PORTION OF TRACTOR**
(71) Applicant: **KUBOTA CORPORATION**, Osaka-shi (JP)
(72) Inventors: **Taiki Furuki**, Sakai (JP); **Takanori Sato**, Sakai (JP); **Daisuke Inaba**, Sakai (JP); **Hitoshi Omachi**, Sakai (JP); **Junta Kuwae**, Sakai (JP)

D693,376 S * 11/2013 Chlystek D15/28
D729,851 S * 5/2015 Kushita D15/23
D748,677 S * 2/2016 Kushita D15/26
D749,645 S * 2/2016 Okuyama D15/26
D752,650 S * 3/2016 Margutti D15/23
D754,210 S * 4/2016 Margutti D15/23
D756,421 S * 5/2016 Okuyama D15/26
D777,215 S * 1/2017 Moritaka D15/23
D783,059 S * 4/2017 Okuyama D15/23

(Continued)

(73) Assignee: **KUBOTA CORPORATION**, Osaka-Shi (JP)

FOREIGN PATENT DOCUMENTS

(**) Term: **15 Years**

JP D1281351 S 9/2006
JP D1527642 S 6/2015

(21) Appl. No.: **29/695,384**

OTHER PUBLICATIONS

(22) Filed: **Jun. 19, 2019**

Japanese Office Action for corresponding JP Design Application No. 2018-027954, dated Sep. 3, 2019 (w/ English machine translation).

(30) **Foreign Application Priority Data**

(Continued)

Dec. 20, 2018 (JP) D2018-027954

(51) **LOC (12) Cl.** **15-03**

Primary Examiner — Mark A Goodwin

(52) **U.S. Cl.**
USPC **D15/23**; D15/26

(74) *Attorney, Agent, or Firm* — Mori & Ward, LLP

(58) **Field of Classification Search**
USPC D15/10, 14, 15, 22–26, 33; 180/69.2, 180/89.1, 89.12, 900; 56/12.7, 15.8, 16.7, 56/13.3, 10.1, 202, 320.1
CPC A01B 51/026; B62D 49/02; B62D 33/06; B62D 33/0604; B62D 33/0617; B62D 25/10; B60K 15/063; B60K 15/073; B60K 2015/0637
See application file for complete search history.

(57)

CLAIM

The ornamental design for a portion of tractor, as shown and described.

DESCRIPTION

FIG. 1 is a top and left front perspective view of a portion of tractor, showing our design;
FIG. 2 is a front elevational view thereof;
FIG. 3 is a rear elevational view thereof;
FIG. 4 is a left side elevational view thereof;
FIG. 5 is a right side elevational view thereof; and,
FIG. 6 is a top plan view thereof.

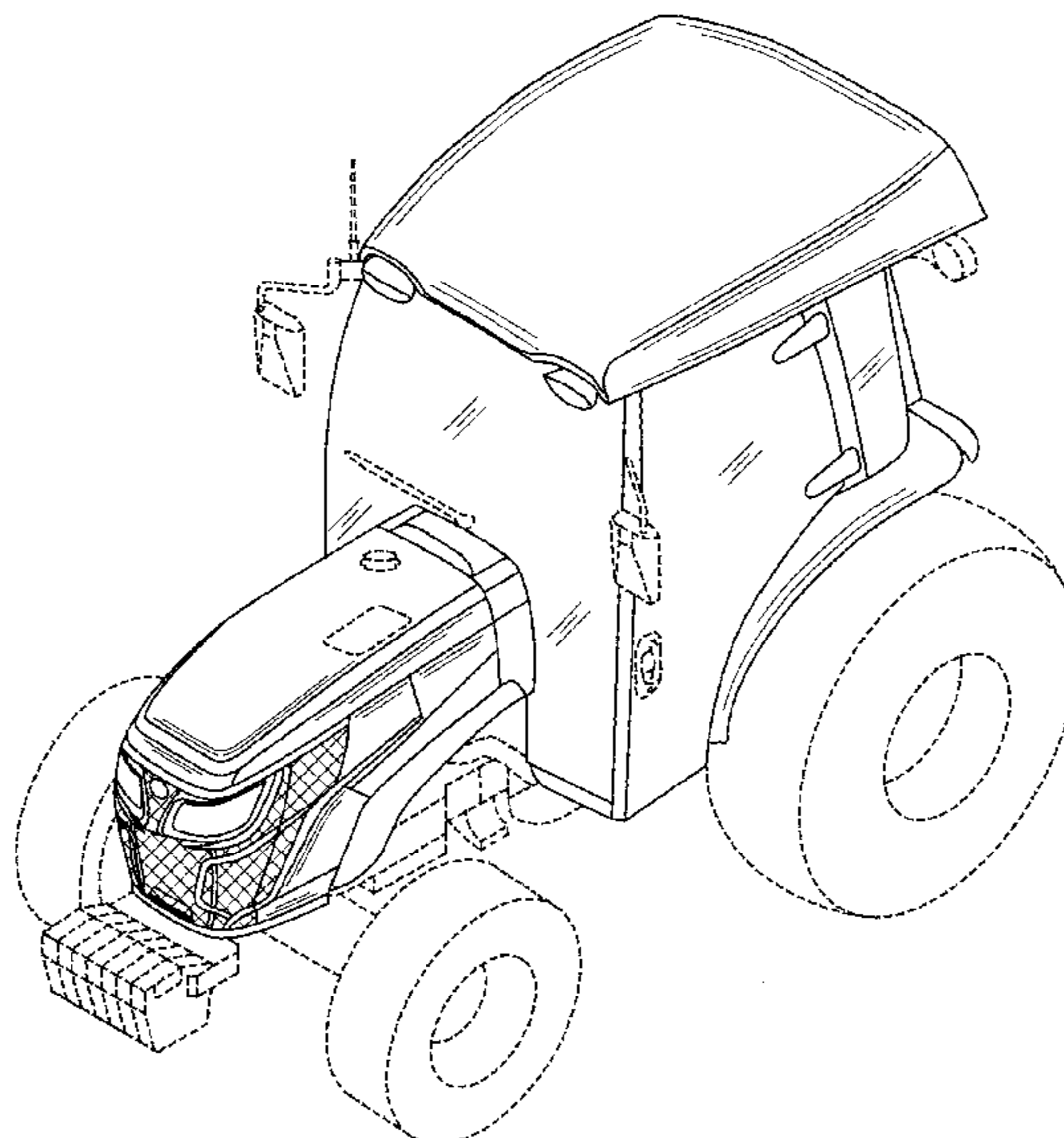
All broken lines shown in the figures represent environmental structures and form no part of the claimed design.

(56) **References Cited**

U.S. PATENT DOCUMENTS

D602,047 S * 10/2009 Kushita D15/23
D641,027 S * 7/2011 Kawashiri D15/23
D668,270 S * 10/2012 Kushita D15/23
D674,819 S * 1/2013 Hagele D15/23

1 Claim, 6 Drawing Sheets



(56)

References Cited

U.S. PATENT DOCUMENTS

D785,050 S * 4/2017 Okuyama D15/23
D785,051 S * 4/2017 Okuyama D15/23

OTHER PUBLICATIONS

Notice for corresponding JP Design Application No. 2018-027954,
dated Sep. 3, 2019 (w/ English machine translation).

* cited by examiner

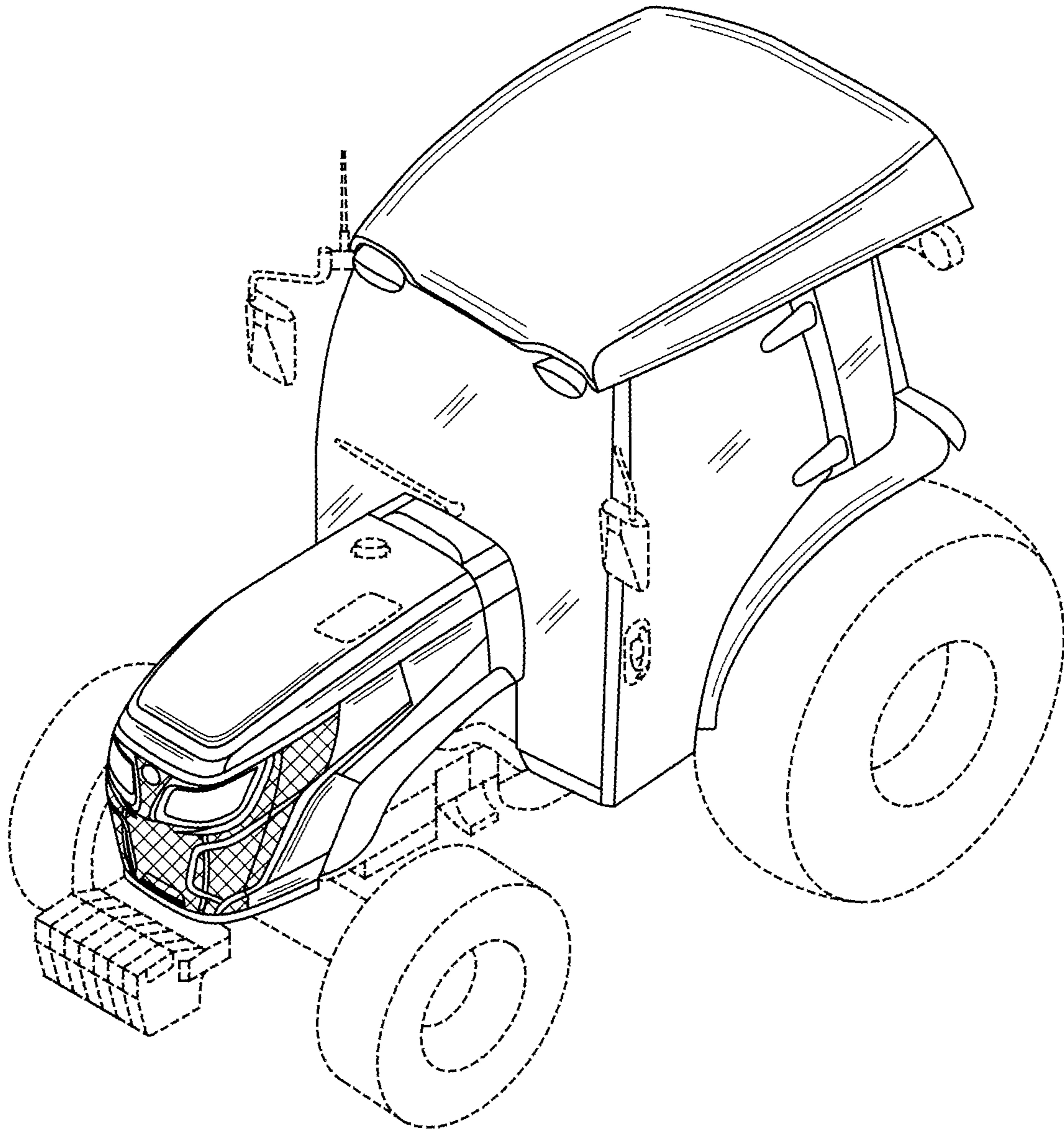


FIG. 1

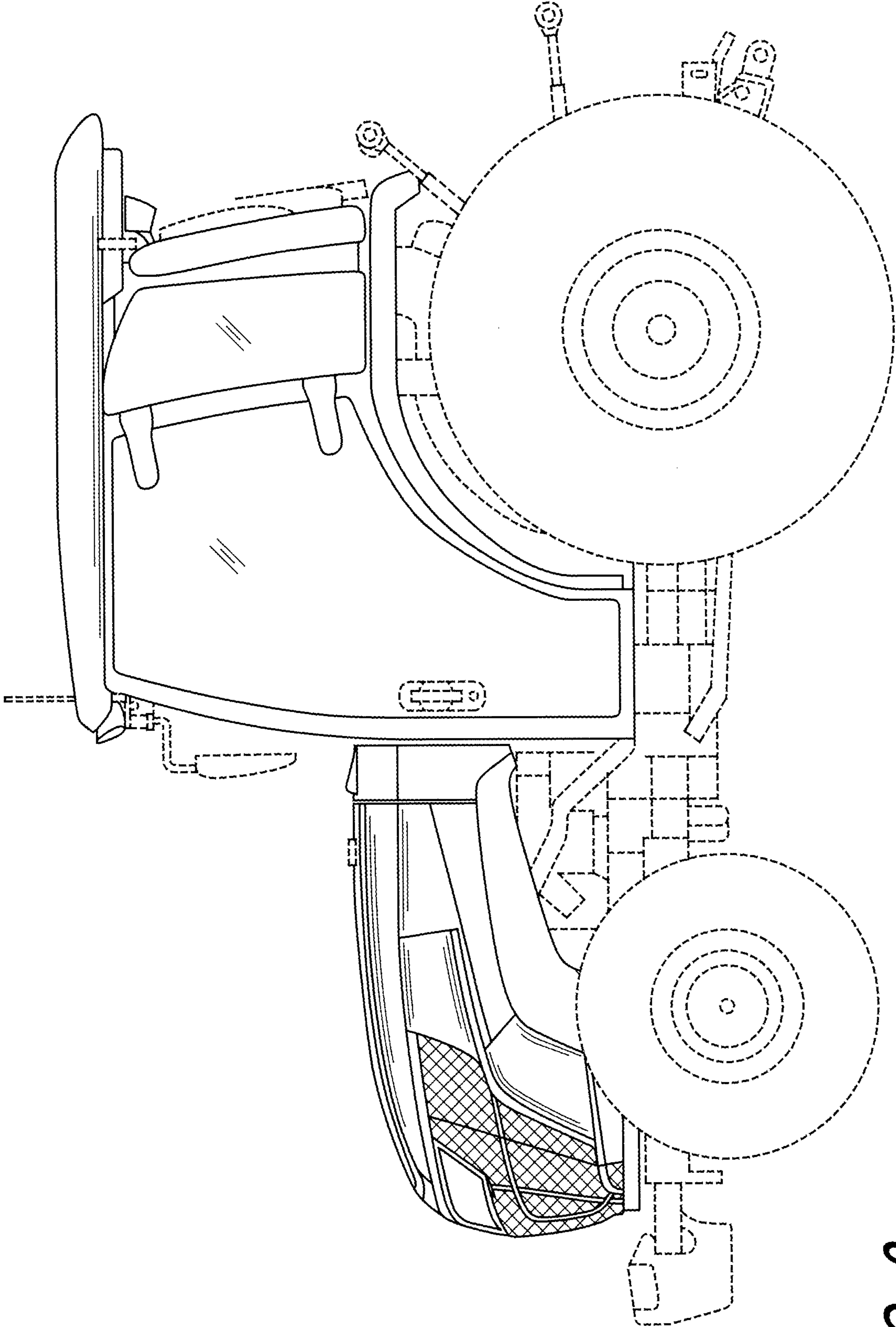


FIG. 2

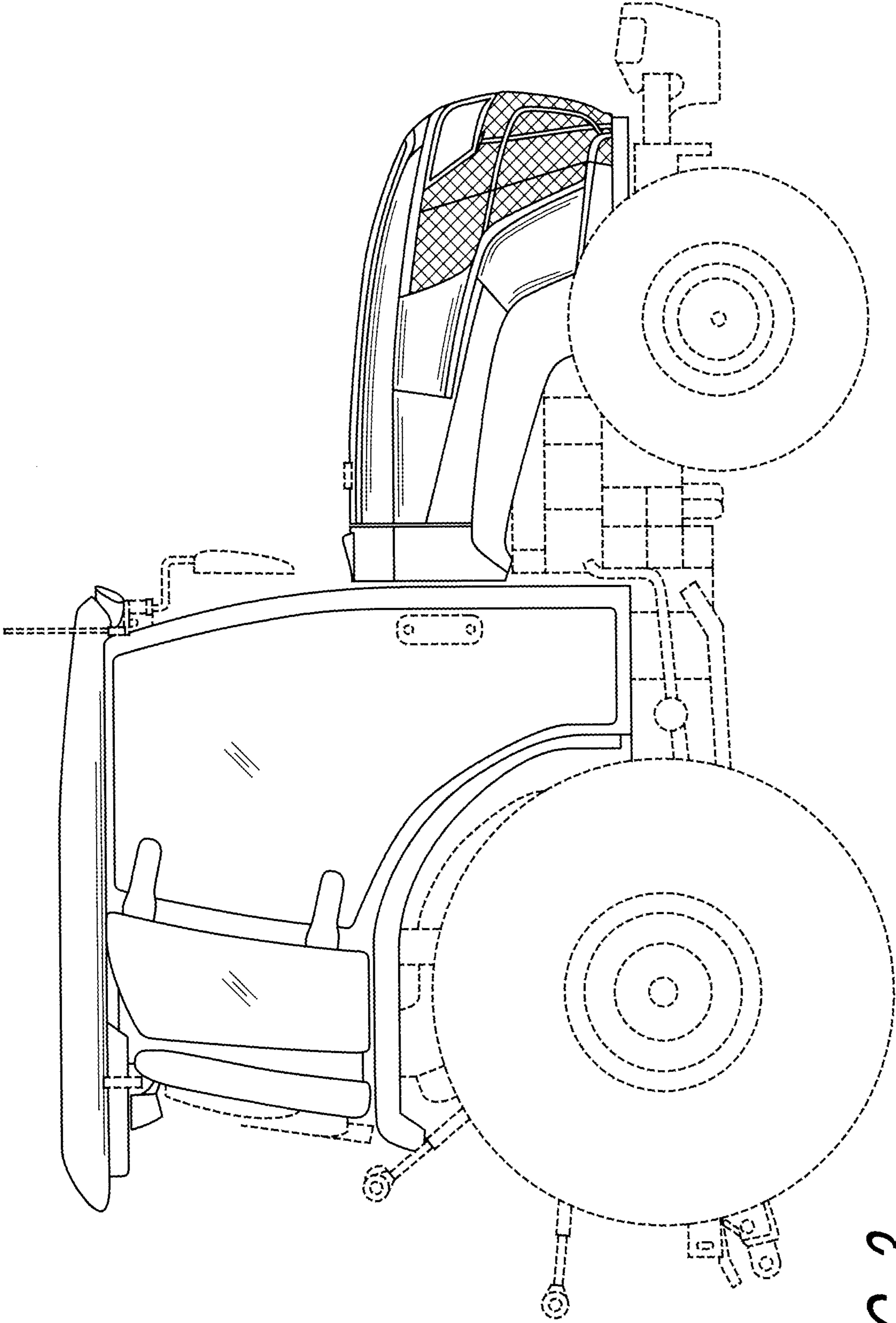


FIG. 3

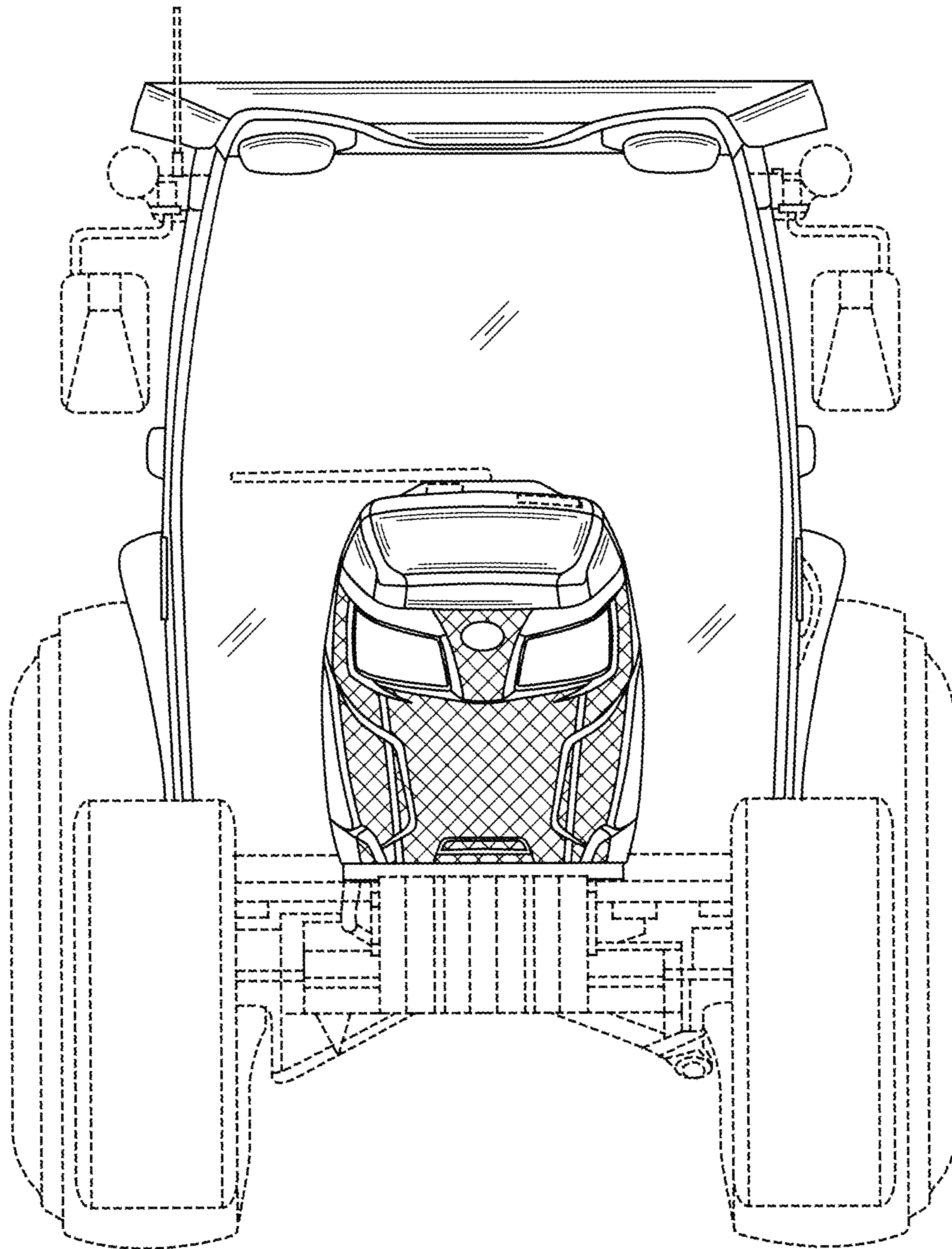


FIG. 4

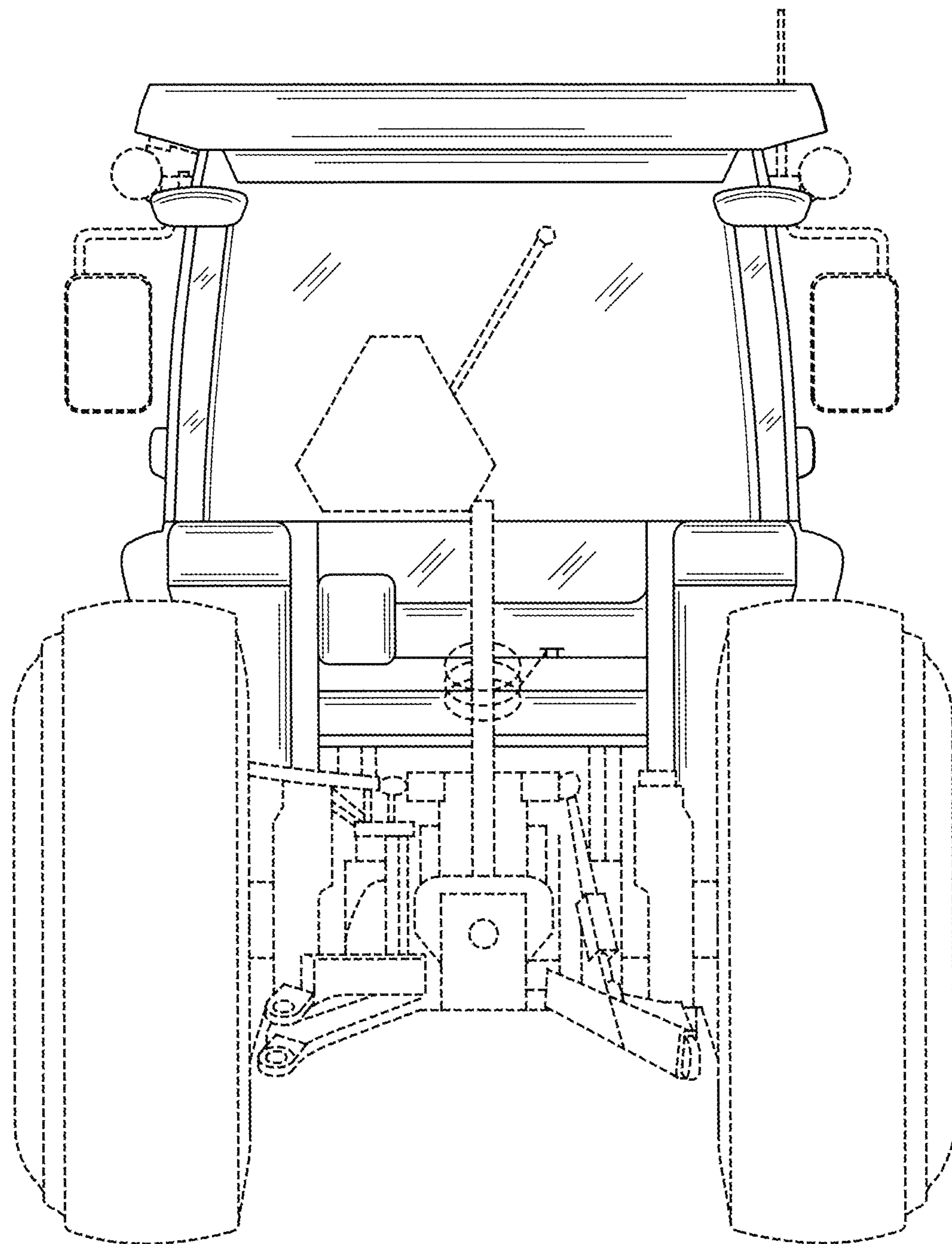


FIG. 5

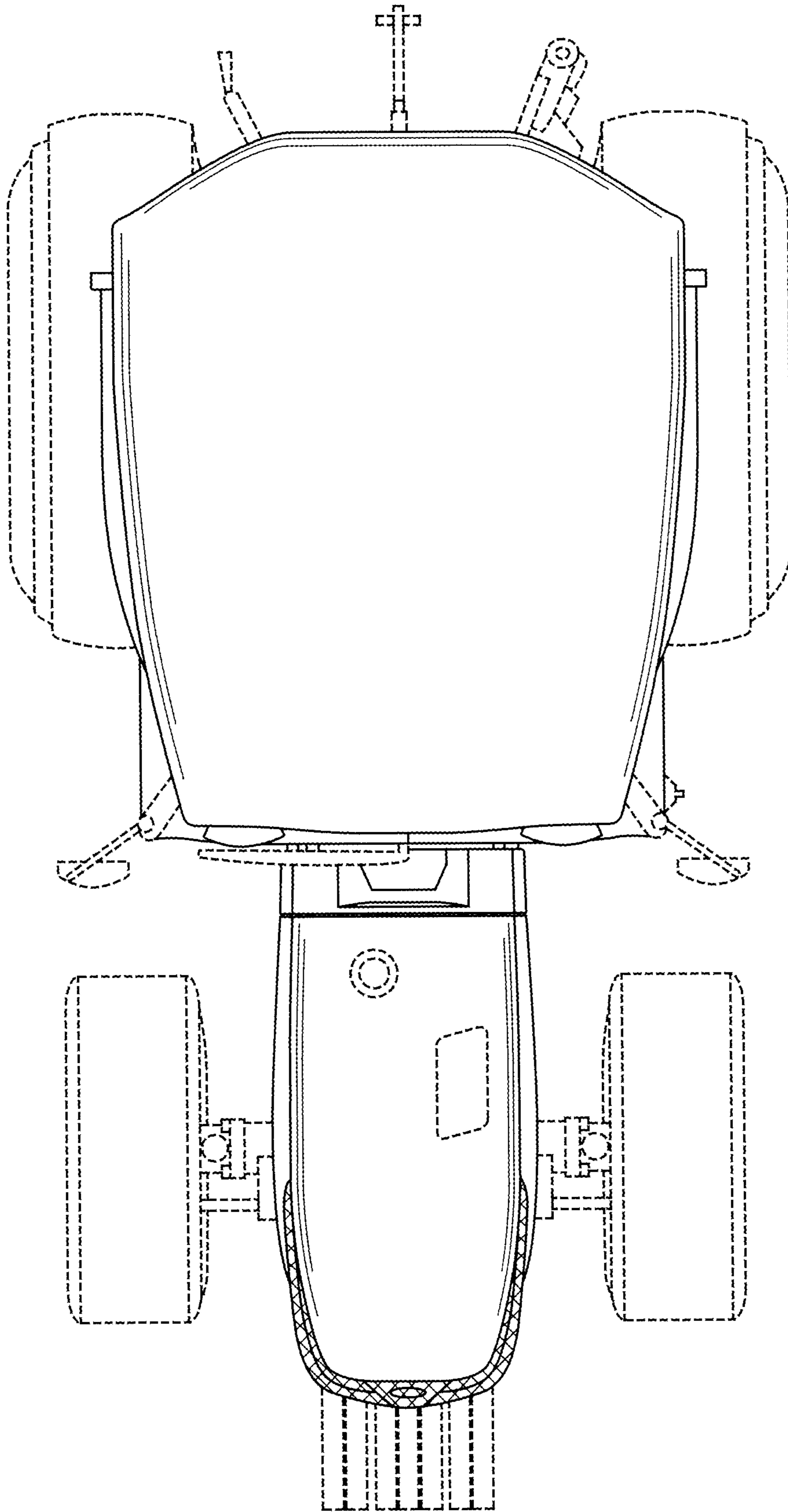


FIG. 6