



US00D878427S

(12) **United States Design Patent** (10) **Patent No.:** **US D878,427 S**
Quan et al. (45) **Date of Patent:** **** Mar. 17, 2020**

(54) **BLOWER NOZZLE**
(71) Applicant: **CANADIAN TIRE CORPORATION, LIMITED**, Toronto (CA)
(72) Inventors: **David Quan**, Toronto (CA); **Bruce Cooper**, Toronto (CA); **Xiaoxian Bian**, Suzhou (CN); **Zhao Kong**, Suzhou (CN)

6,837,447 B1 1/2005 Clark et al.
7,065,944 B1 6/2006 Steele
D584,461 S * 1/2009 Sweeney D32/15
D653,008 S * 1/2012 Houghton D32/18
8,407,913 B2 4/2013 Langley et al.
D738,052 S * 9/2015 Kim D32/18
D756,575 S * 5/2016 Flurer D32/1
D798,513 S * 9/2017 Tinius D32/15
D829,392 S * 9/2018 Lane D32/15

(Continued)

(73) Assignee: **CANADIAN TIRE CORPORATION, LIMITED**, Toronto (CA)

FOREIGN PATENT DOCUMENTS

WO 2012/076885 A2 6/2012

(**) Term: **15 Years**

OTHER PUBLICATIONS

(21) Appl. No.: **29/594,439**

Fox Valve Development Corp., Fox Solids Conveying Eductors, retrieved from: <http://www.elkoneet.com/uploads/lisaatietoja/Fox/Fox%20venturi%20yleisesite.pdf>, Jul. 14, 2014, pp. 1-8.

(22) Filed: **Feb. 17, 2017**

(Continued)

(30) **Foreign Application Priority Data**

Aug. 17, 2016 (CA) 169997

(51) **LOC (12) Cl.** **15-02**

(52) **U.S. Cl.**
USPC **D15/11**

(58) **Field of Classification Search**
USPC D15/11, 12, 20; D12/2, 231, 340-343; D14/230; D32/15, 16, 17, 18, 21, 25, 1, D32/5

CPC . A47L 5/24; A47L 5/28; A47L 7/0038; A01B 15/06; B02B 7/02; B02B 5/02; B02B 3/04

See application file for complete search history.

Primary Examiner — Mark A Goodwin
Assistant Examiner — Benjamin M Weeks
(74) *Attorney, Agent, or Firm* — Dorsey & Whitney LLP

(57) **CLAIM**

The ornamental design of a blower nozzle, as shown and described.

DESCRIPTION

FIG. 1 is a right, rear, perspective view of a blower nozzle; FIG. 2 is a right-side view thereof; FIG. 3 is a left-side view thereof; FIG. 4 is a rear view thereof; FIG. 5 is a front view thereof; FIG. 6 is a top view thereof; and, FIG. 7 is a bottom view thereof.

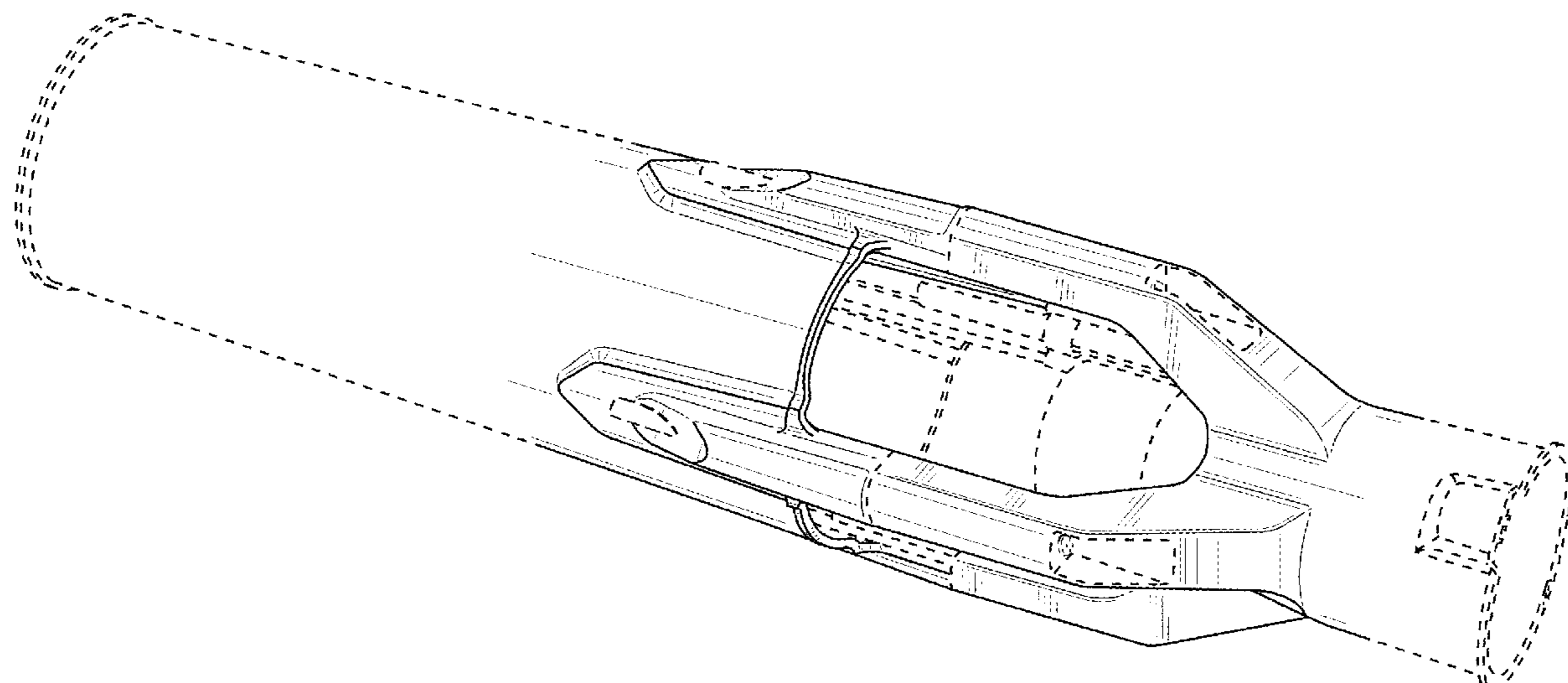
The broken lines illustrate environmental structure, and form no part of the claimed design.

1 Claim, 7 Drawing Sheets

(56) **References Cited**

U.S. PATENT DOCUMENTS

4,026,474 A 5/1977 Knauer et al.
4,890,598 A 1/1990 Kinsworthy
5,671,888 A 9/1997 Smith
6,409,097 B1 6/2002 McCauley
6,702,101 B2 3/2004 Haruch et al.



(56)

References Cited

U.S. PATENT DOCUMENTS

D834,270	S	*	11/2018	Naslund	D32/15
D834,271	S	*	11/2018	Naslund	D32/15
2002/0108211	A1	*	8/2002	Svoboda	A47L 5/14 15/405
2003/0079366	A1		5/2003	Chang		
2003/0233730	A1	*	12/2003	Sanders	A47L 5/14 15/405
2008/0148513	A1	*	6/2008	Shaffer	E01H 1/0809 15/405
2009/0126147	A1	*	5/2009	Nakazawa	F16L 11/15 15/405
2012/0318891	A1		12/2012	Chou		
2013/0228232	A1		9/2013	Chen		
2014/0084492	A1		3/2014	Staniforth et al.		
2016/0106285	A1	*	4/2016	Jenson	A47L 9/0477 29/426.1

OTHER PUBLICATIONS

Prime-Air Blowers, Inc., Prime-Air Hurricane Venturi Bowers, retrieved from: <http://primeairblowers.com/Instructions/HurricaneBrochure.pdf>, Jul. 14, 2014, pp. 1-2.

Allegro Industries, New Products and Extensive Line of Ventilation Blowers from Allegro Industries, retrieved from: <https://www.ishn.com/articles/print/91371-new-products-and-extensive-line-of-ventilation-blowers-from-allegro-industries> on Jul. 11, 2011, pp. 1-2.

Atech, Increased Efficiency Leaf Blower, retrieved from <http://www.thingiverse.com/thing:176094>, Nov. 2, 2013, pp. 1-2.

* cited by examiner

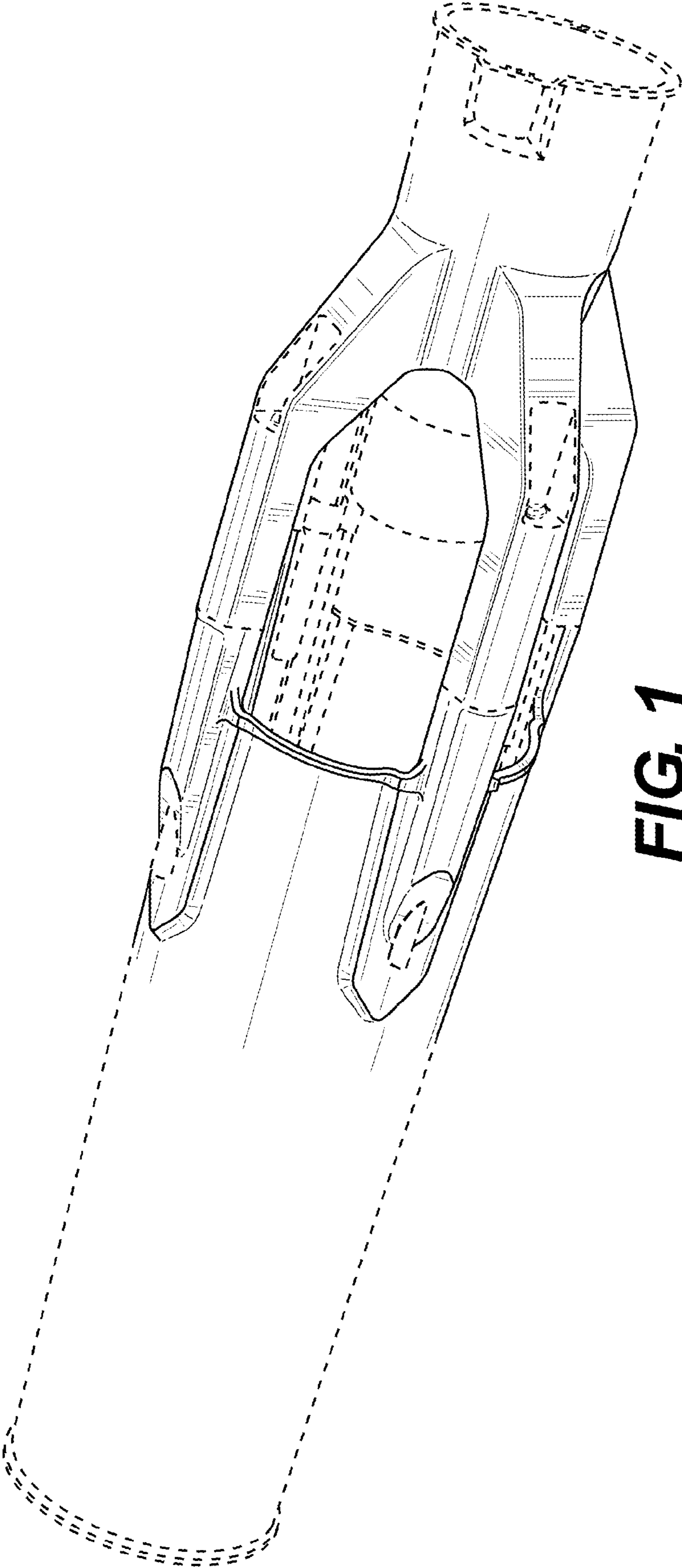


FIG. 1

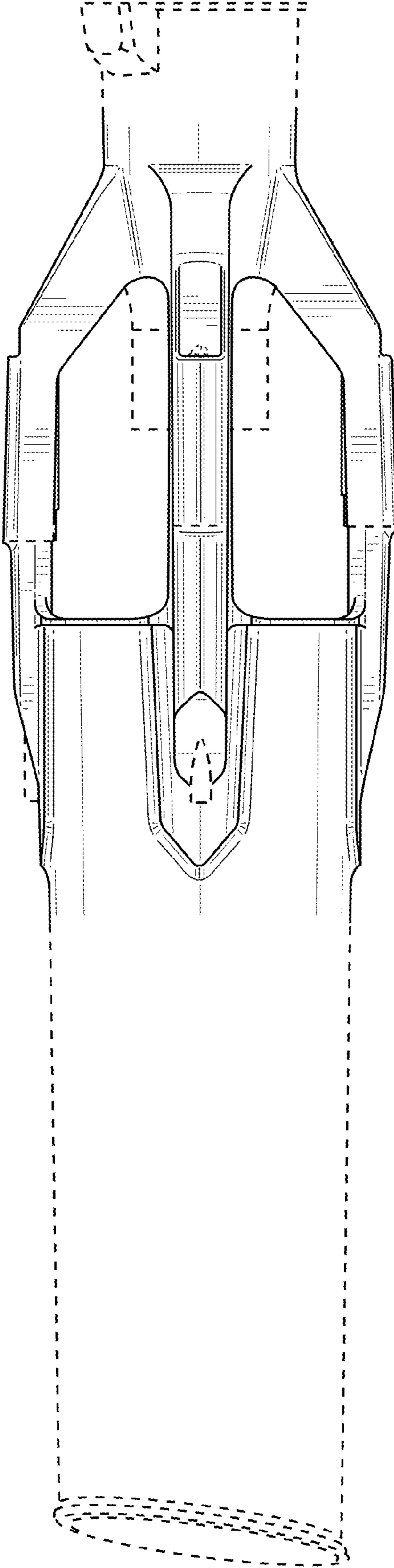


FIG. 2

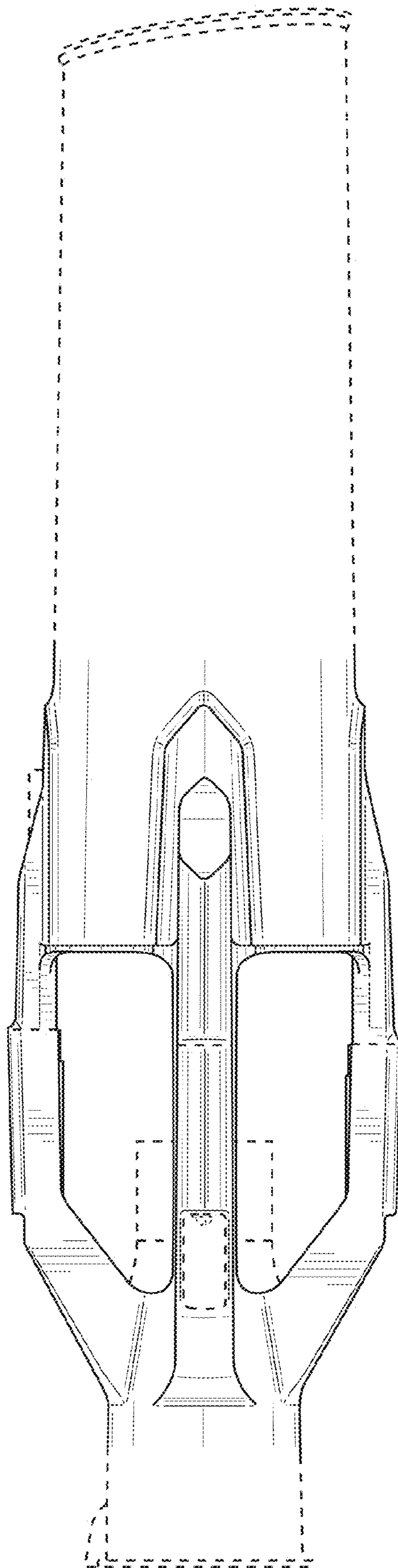


FIG. 3

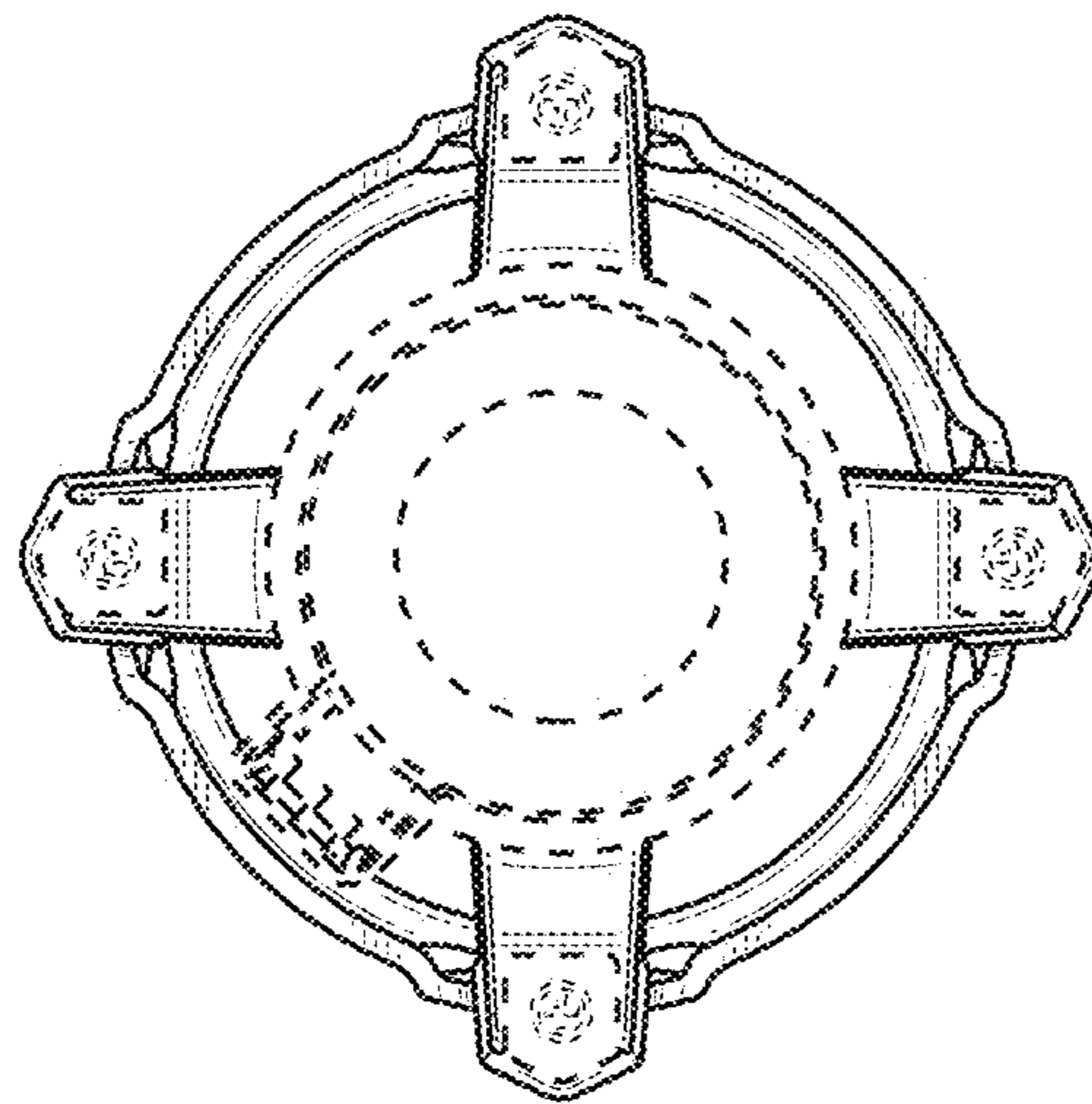


FIG. 4

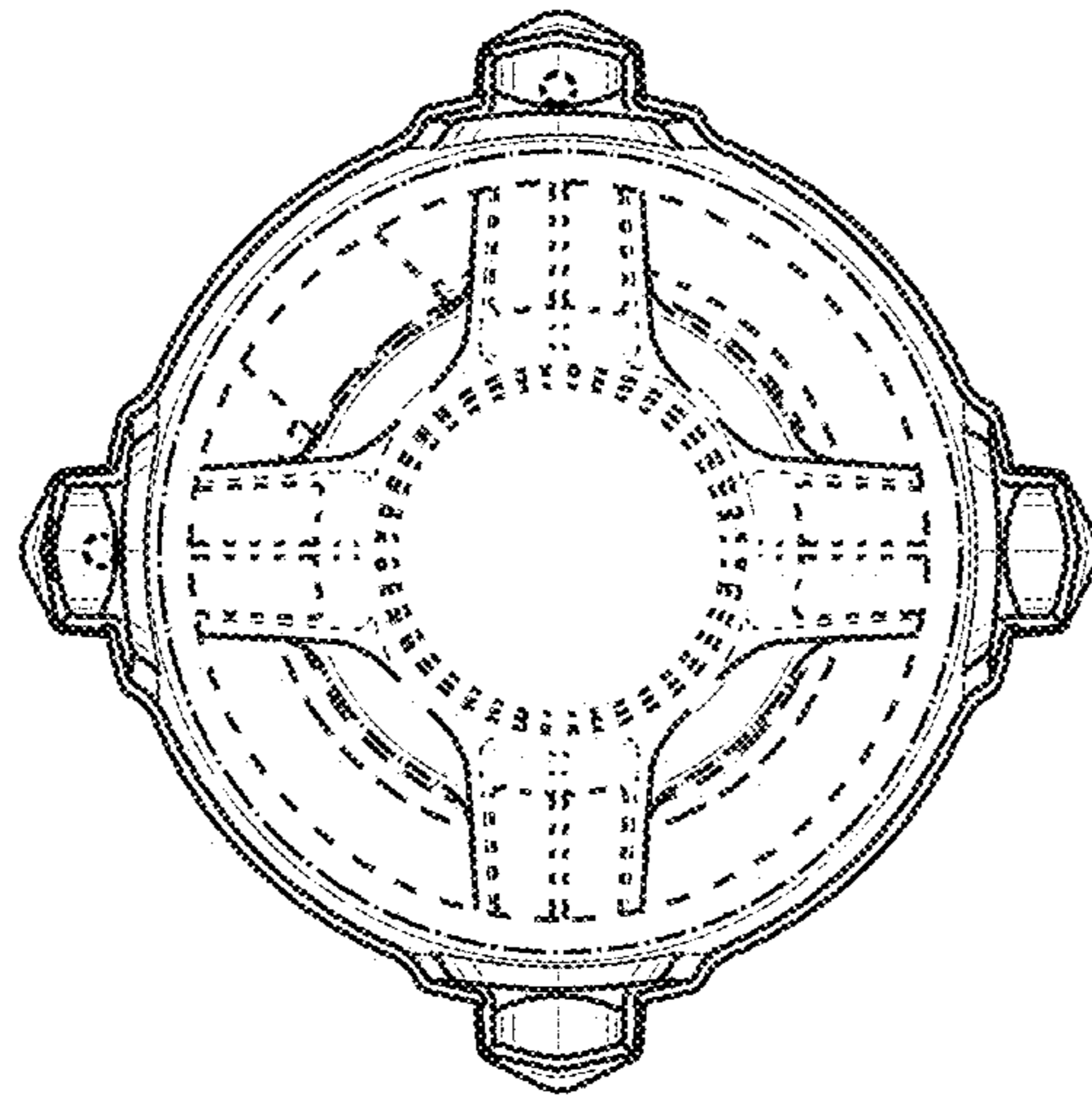


FIG. 5

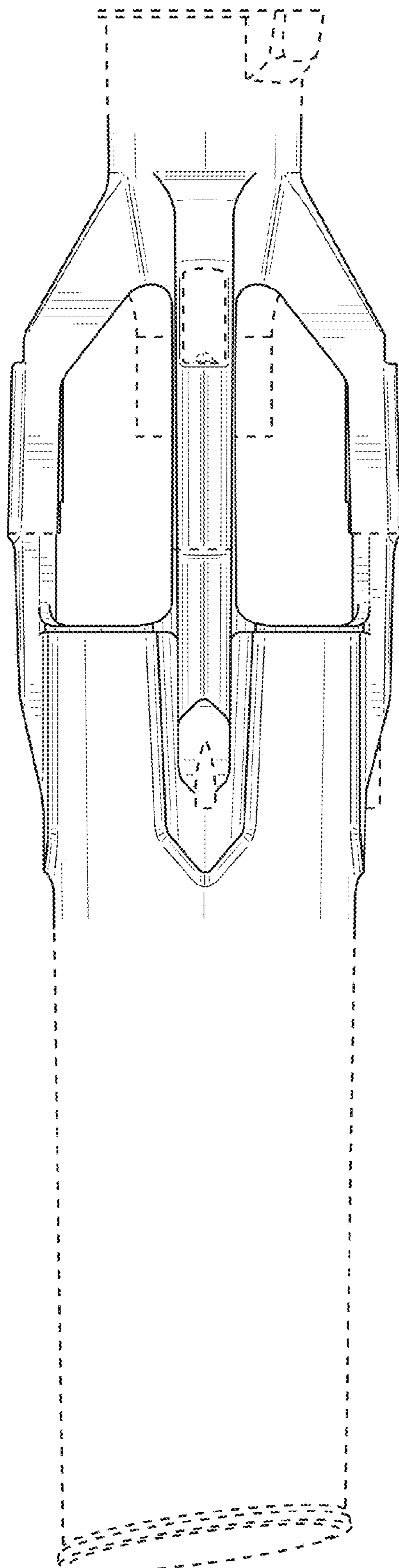


FIG. 6

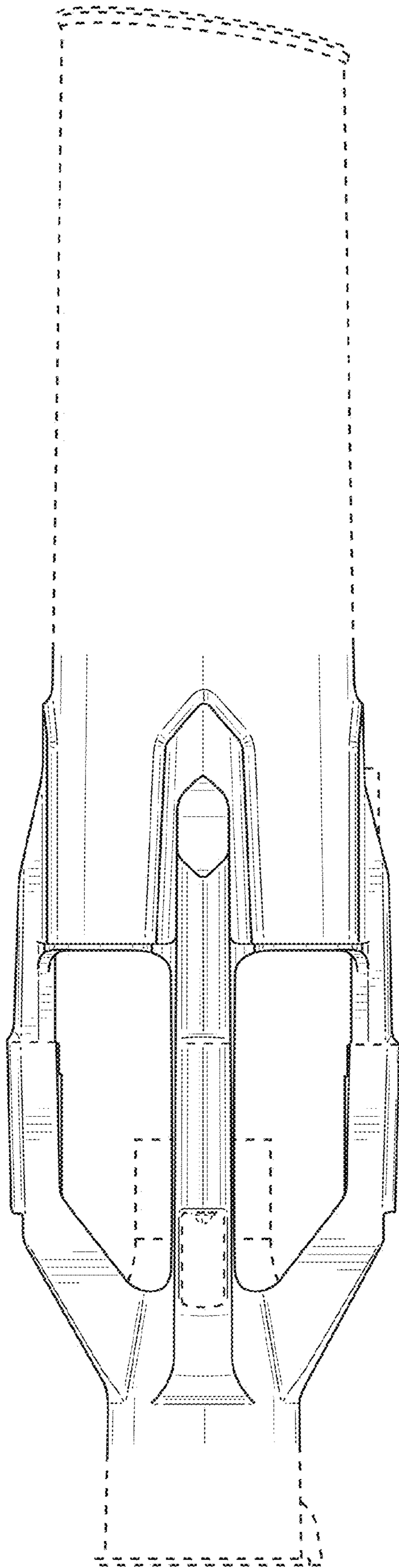


FIG. 7