



US00D878426S

(12) **United States Design Patent** (10) **Patent No.:** **US D878,426 S**  
**Gernheuser et al.** (45) **Date of Patent:** **\*\* Mar. 17, 2020**

(54) **FUEL PUMP ASSEMBLY**

(71) Applicant: **Carter Fuel Systems, LLC**, Cleveland, OH (US)

(72) Inventors: **Ryan Gernheuser**, Maumee, OH (US); **Michael McKee**, New Hudson, MI (US)

(73) Assignee: **Carter Fuel Systems, LLC**, Cleveland, OH (US)

(\*\*) Term: **15 Years**

(21) Appl. No.: **29/637,840**

(22) Filed: **Feb. 22, 2018**

(51) **LOC (12) Cl.** ..... **15-03**

(52) **U.S. Cl.**  
USPC ..... **D15/9**

(58) **Field of Classification Search**  
USPC ..... D15/7-9.1  
CPC ..... F02M 37/04; F02M 37/14; F04B 53/92;  
F04B 1/005; F04D 13/06; F04D 29/22;  
F04D 29/046; F04D 29/2266  
See application file for complete search history.

(56) **References Cited**

**U.S. PATENT DOCUMENTS**

D332,267 S \* 1/1993 Iwai ..... D15/7  
D519,126 S \* 4/2006 Leasure ..... D15/9

D562,850 S \* 2/2008 Ogawa ..... D15/9  
D637,209 S \* 5/2011 Wessol ..... D15/7  
D637,210 S \* 5/2011 Wessol ..... D15/7  
D645,057 S \* 9/2011 Benoit ..... D15/9  
D645,058 S \* 9/2011 Benoit ..... D15/9  
D670,314 S \* 11/2012 Galloway ..... D15/9  
D723,066 S \* 2/2015 Galloway ..... D15/9  
9,267,473 B2 \* 2/2016 Troxler ..... F02M 37/106

\* cited by examiner

*Primary Examiner* — Khawaja Anwar

(74) *Attorney, Agent, or Firm* — Miller Canfield

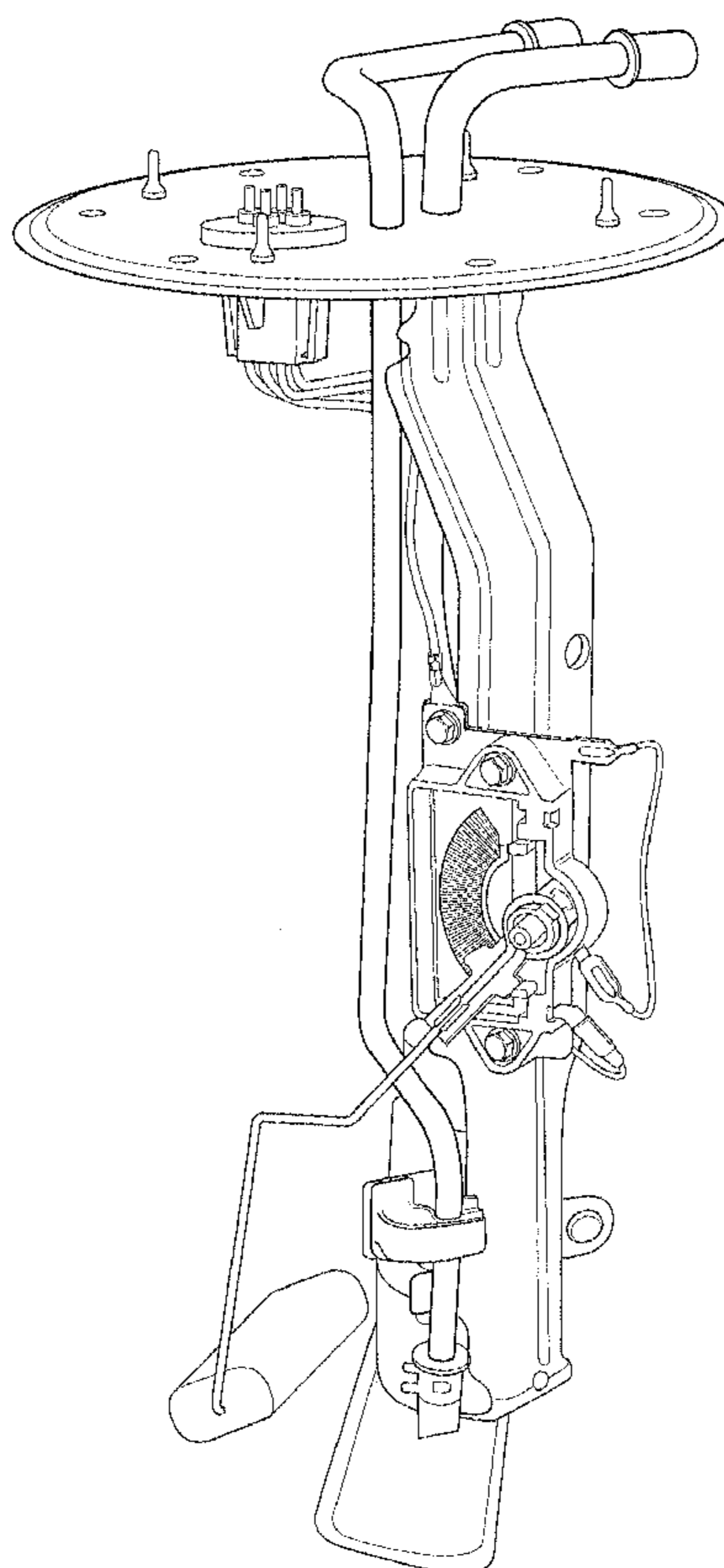
(57) **CLAIM**

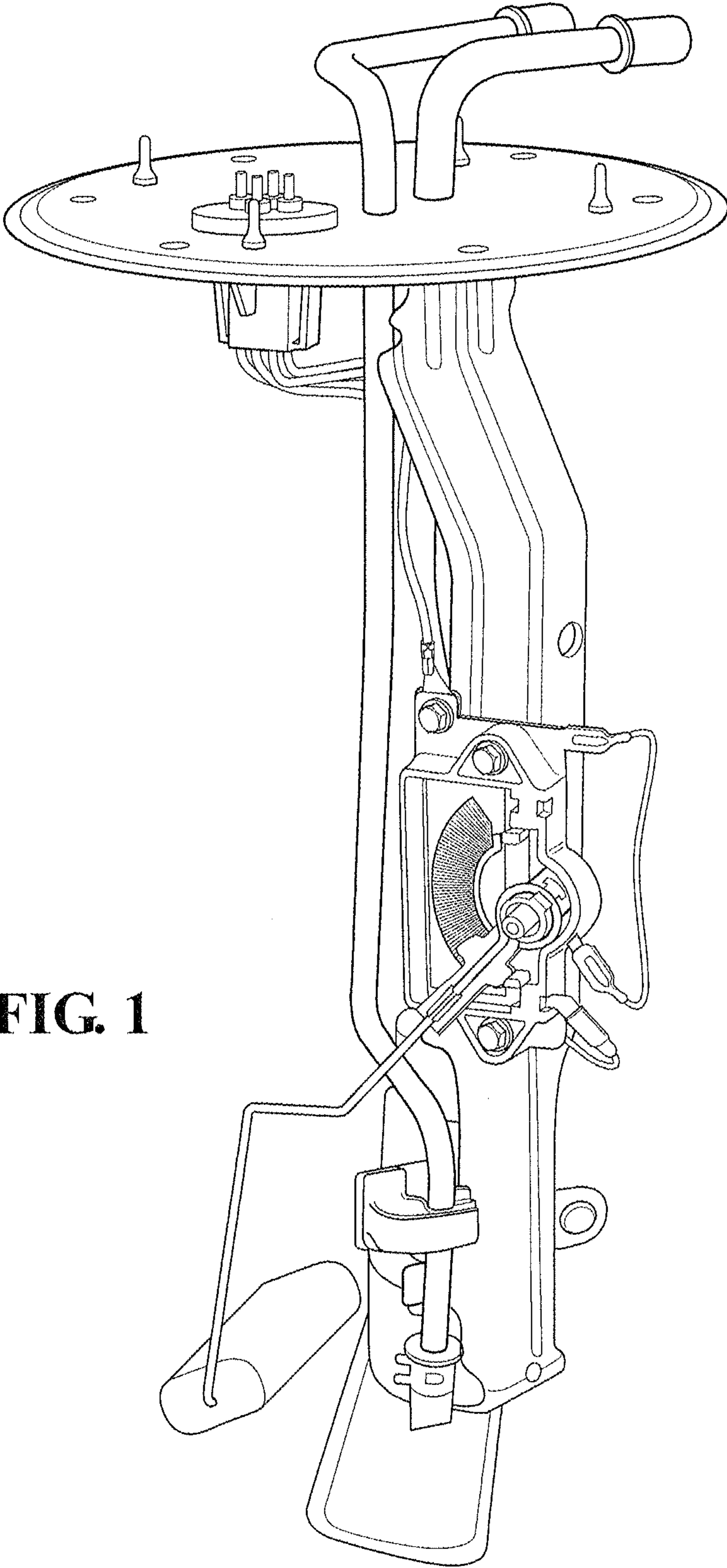
The ornamental design for a fuel pump assembly, as shown and described.

**DESCRIPTION**

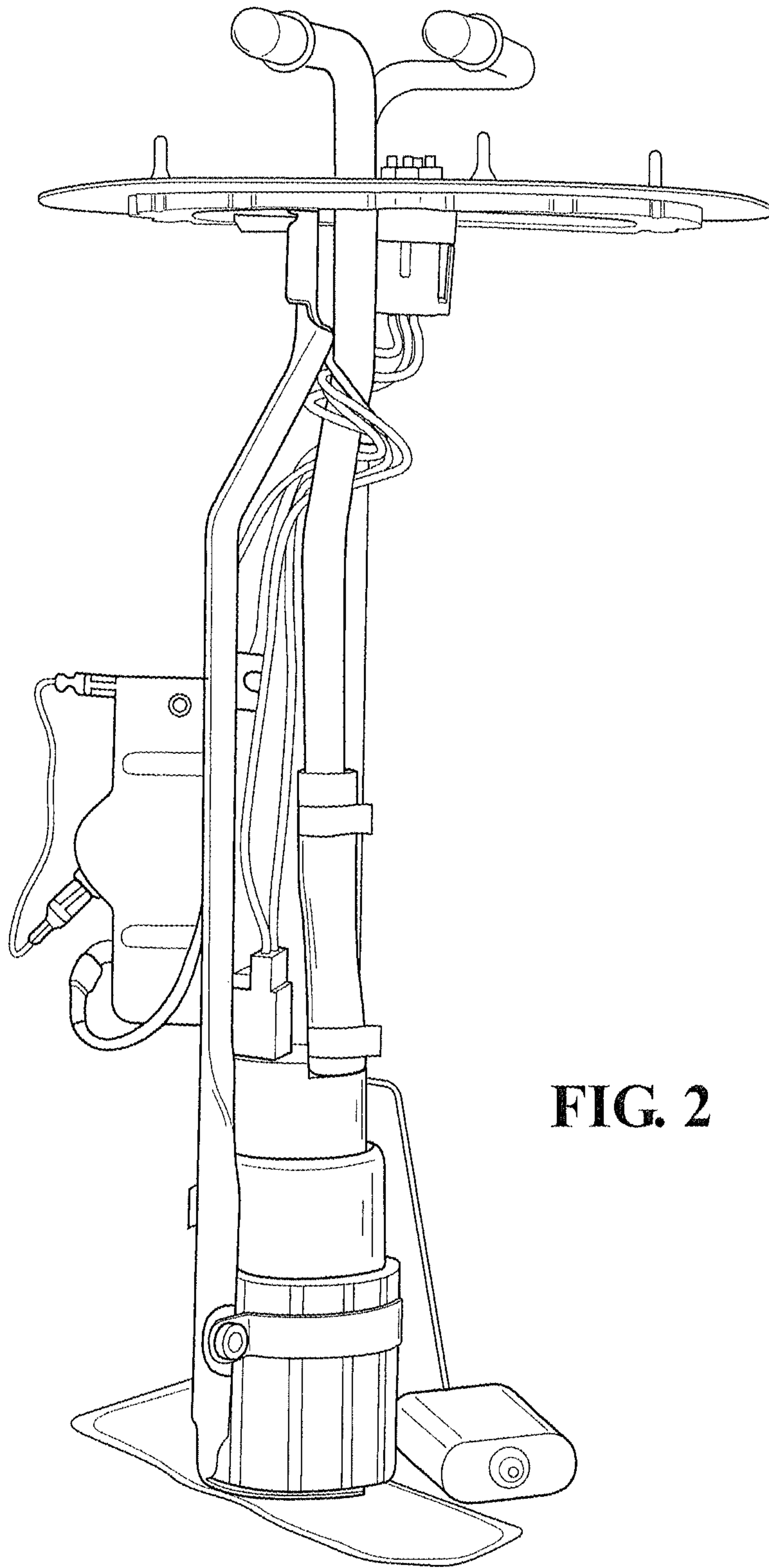
FIG. 1 is a perspective view of a fuel pump assembly, showing our new design;  
FIG. 2 is a perspective side view thereof;  
FIG. 3 is another perspective side view thereof;  
FIG. 4 is yet another perspective side view thereof;  
FIG. 5 is yet another perspective side view thereof;  
FIG. 6 is a top plan view thereof; and,  
FIG. 7 is a bottom plan view thereof.

**1 Claim, 6 Drawing Sheets**

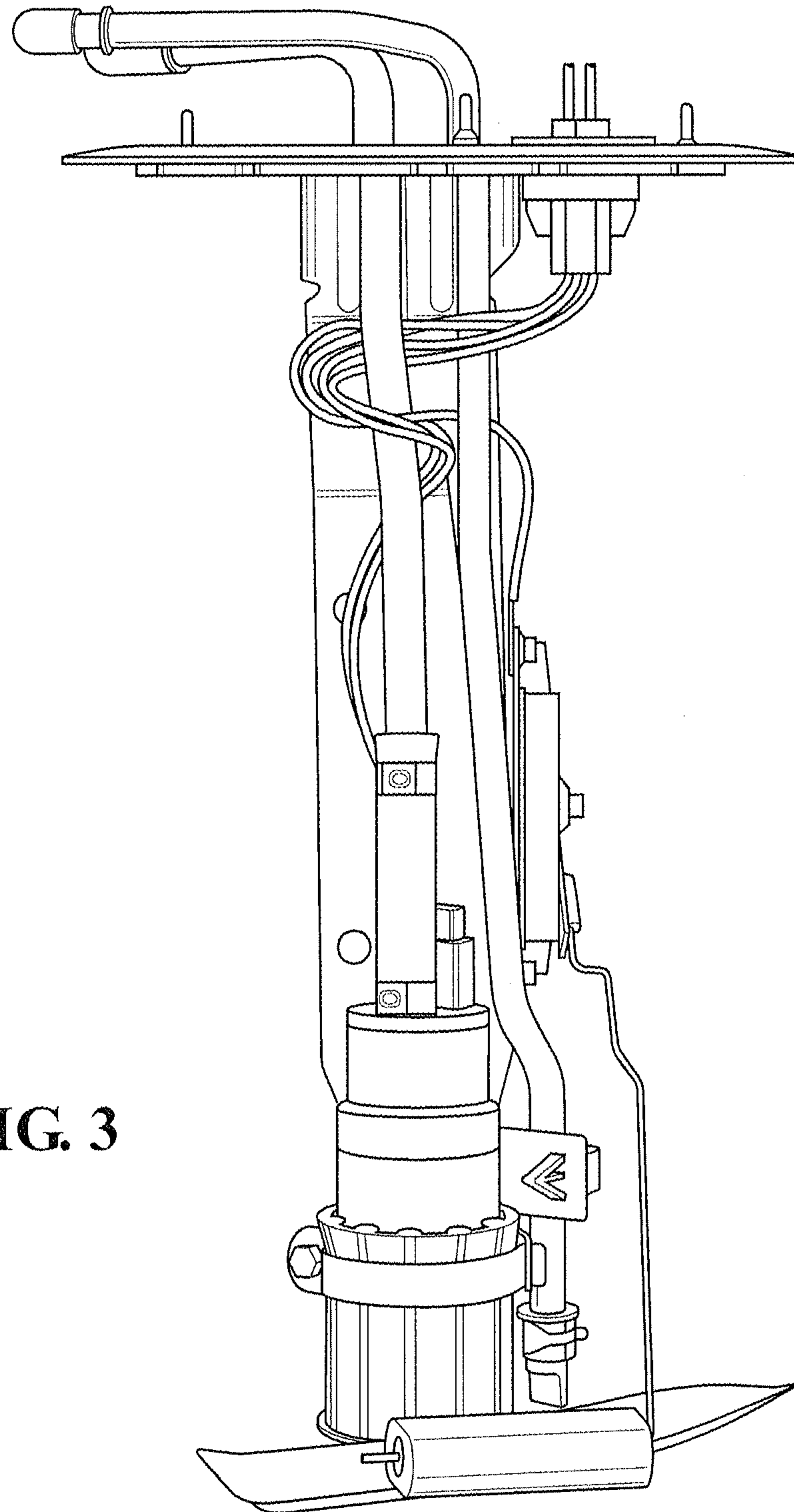




**FIG. 1**

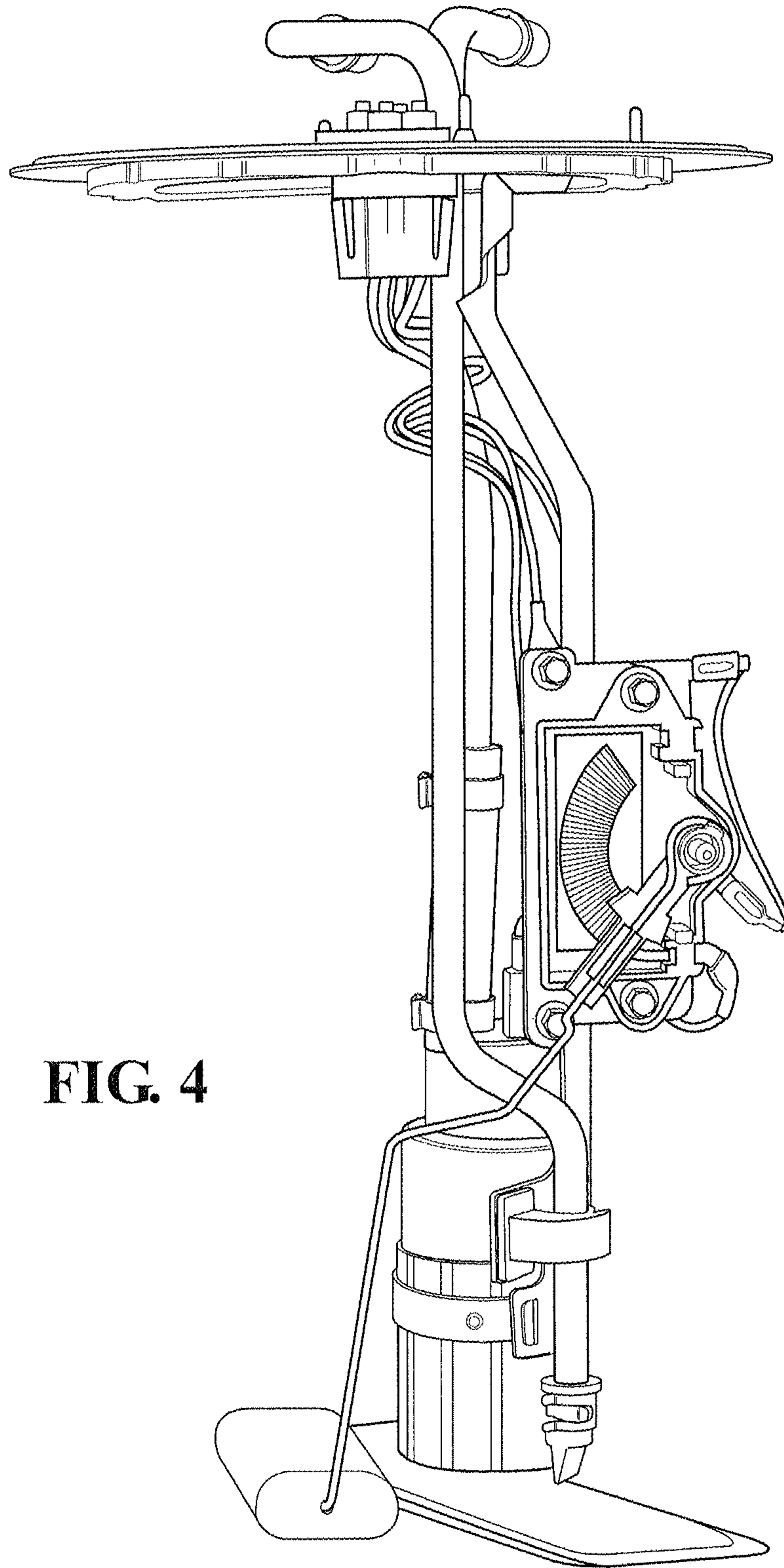


**FIG. 2**

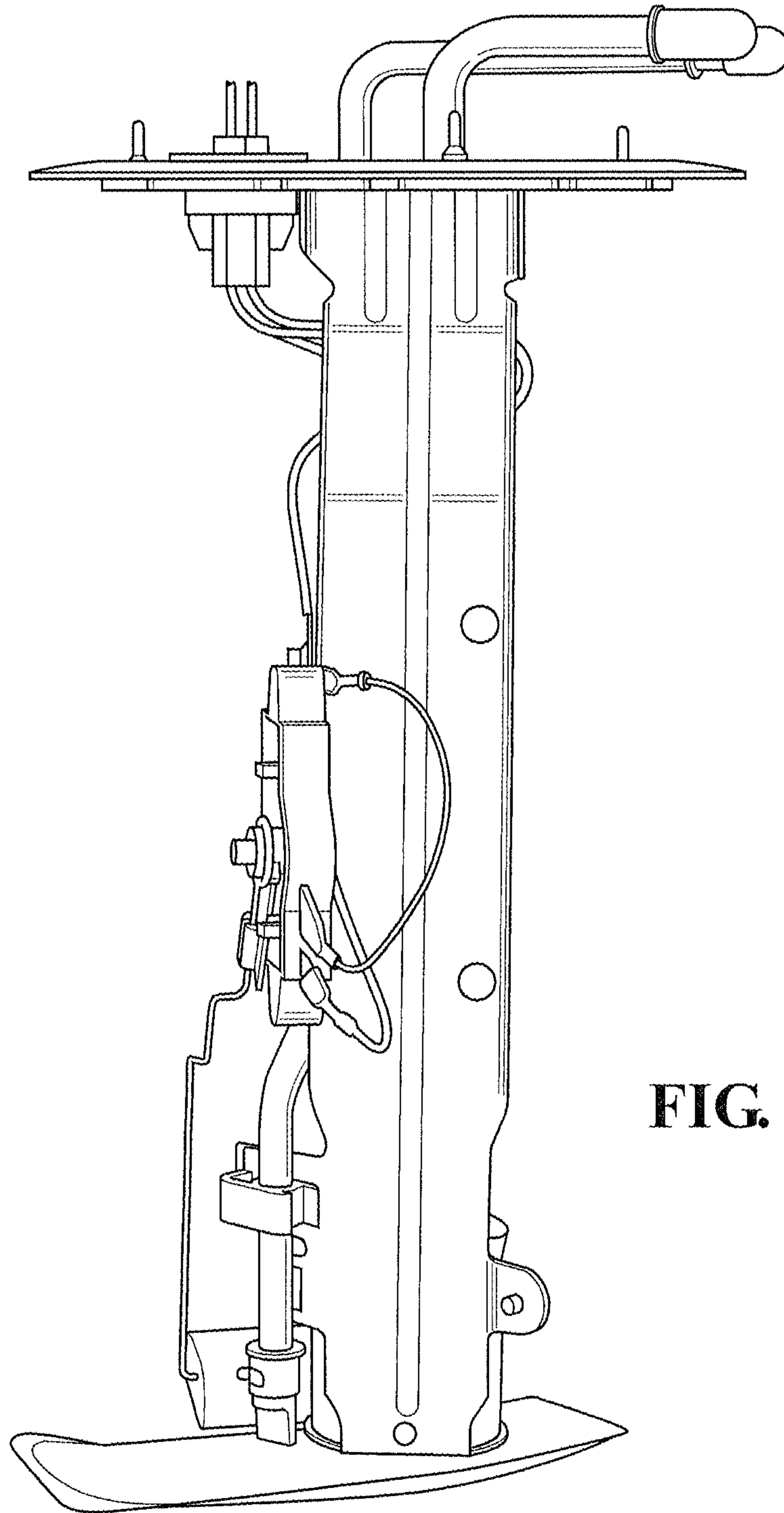


**FIG. 3**

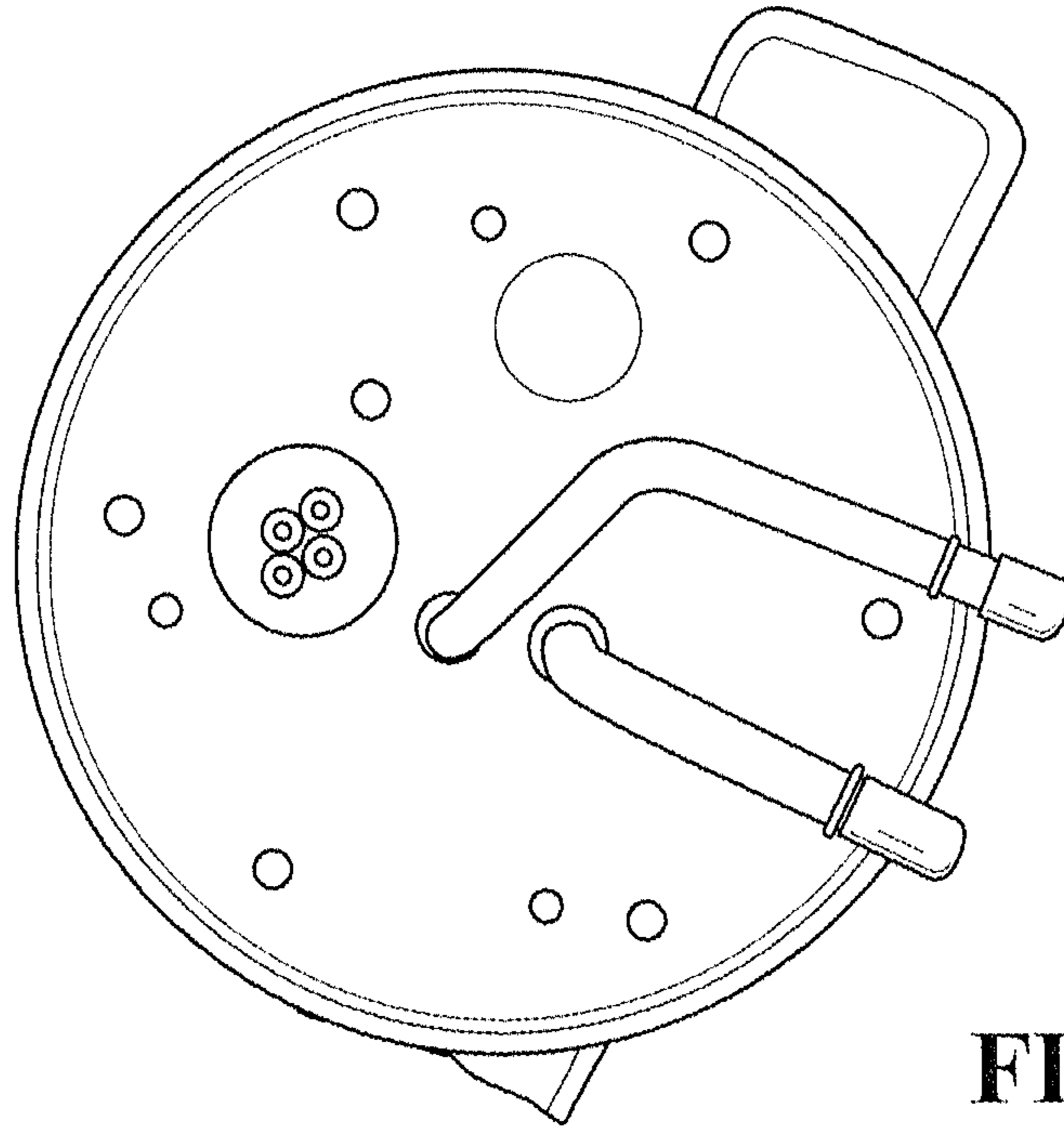




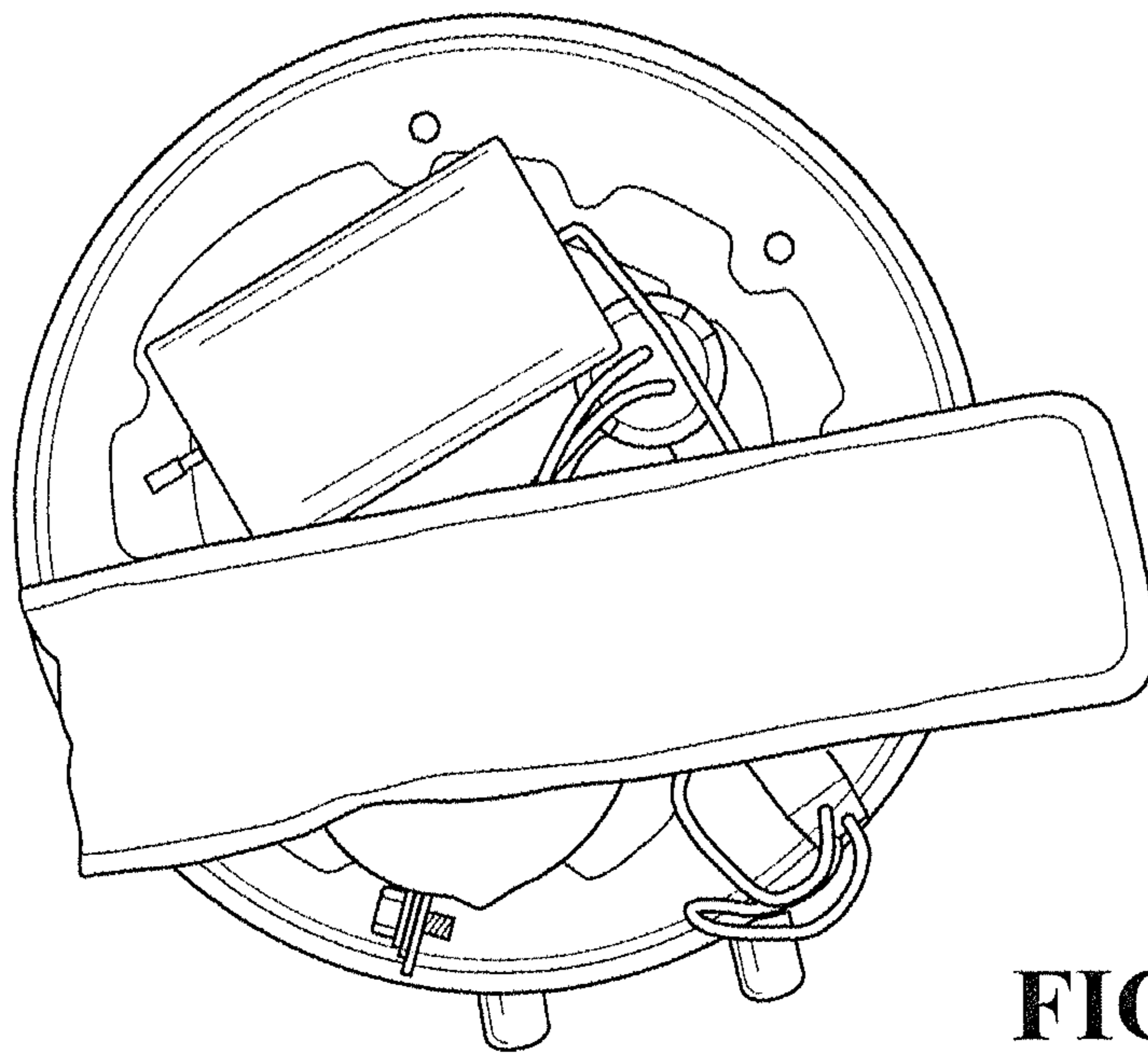
**FIG. 4**



**FIG. 5**



**FIG. 6**



**FIG. 7**