



US00D878425S

(12) **United States Design Patent**
Ecklund et al.

(10) **Patent No.:** **US D878,425 S**
(45) **Date of Patent:** **** Mar. 17, 2020**

- (54) **HOSE COUPLING**
- (71) Applicant: **Sage Products, LLC**, Cary, IL (US)
- (72) Inventors: **Brian J. Ecklund**, Lakemoor, WI (US);
Jeffrey A. Kennedy, Algonquin, IL (US)
- (73) Assignee: **Sage Products, LLC**, Cary, IL (US)
- (**) Term: **15 Years**
- (21) Appl. No.: **29/664,272**
- (22) Filed: **Sep. 24, 2018**

- D609,249 S 2/2010 Foreman et al.
- D631,066 S 1/2011 Itadani et al.
- 8,047,577 B2* 11/2011 Zeiber F16L 33/23
285/242
- D654,508 S 2/2012 Foreman
- D679,784 S * 4/2013 Meyer D23/262
- D687,528 S * 8/2013 Meyer D23/262
- D689,100 S 9/2013 Wirz Luchsinger
- D693,850 S 11/2013 Haider et al.
- D704,225 S 5/2014 Lee
- D704,226 S 5/2014 Lee
- D705,819 S 5/2014 Seymour et al.
- D707,717 S 6/2014 King
- D736,833 S 8/2015 Lee
- 9,103,474 B2* 8/2015 Richardson F16L 33/00

(Continued)

Primary Examiner — Mitchell I. Siegel
(74) *Attorney, Agent, or Firm* — Foley & Lardner LLP

Related U.S. Application Data

- (63) Continuation of application No. 29/592,971, filed on Feb. 3, 2017, now Pat. No. Des. 831,074.
- (51) **LOC (12) Cl.** **15-02**
- (52) **U.S. Cl.**
USPC **D15/7**
- (58) **Field of Classification Search**
USPC D15/7-9; D23/225, 227, 231, 232,
D23/259-266
CPC F02M 37/04; F02M 37/14; F04B 53/92;
F04B 1/005; F04D 13/06; F04D 29/22;
F04D 29/046; F04D 29/2266; B67D 7/44;
A62C 33/00-06; F16L 33/224; F16L
33/26; F16L 25/023; F16L 37/252; F16L
37/0925; H01R 2103/00; H01R 13/622;
B25B 13/065; D04B 35/06
See application file for complete search history.

(57) **CLAIM**

We claim the ornamental design for a hose coupling, as shown and described.

DESCRIPTION

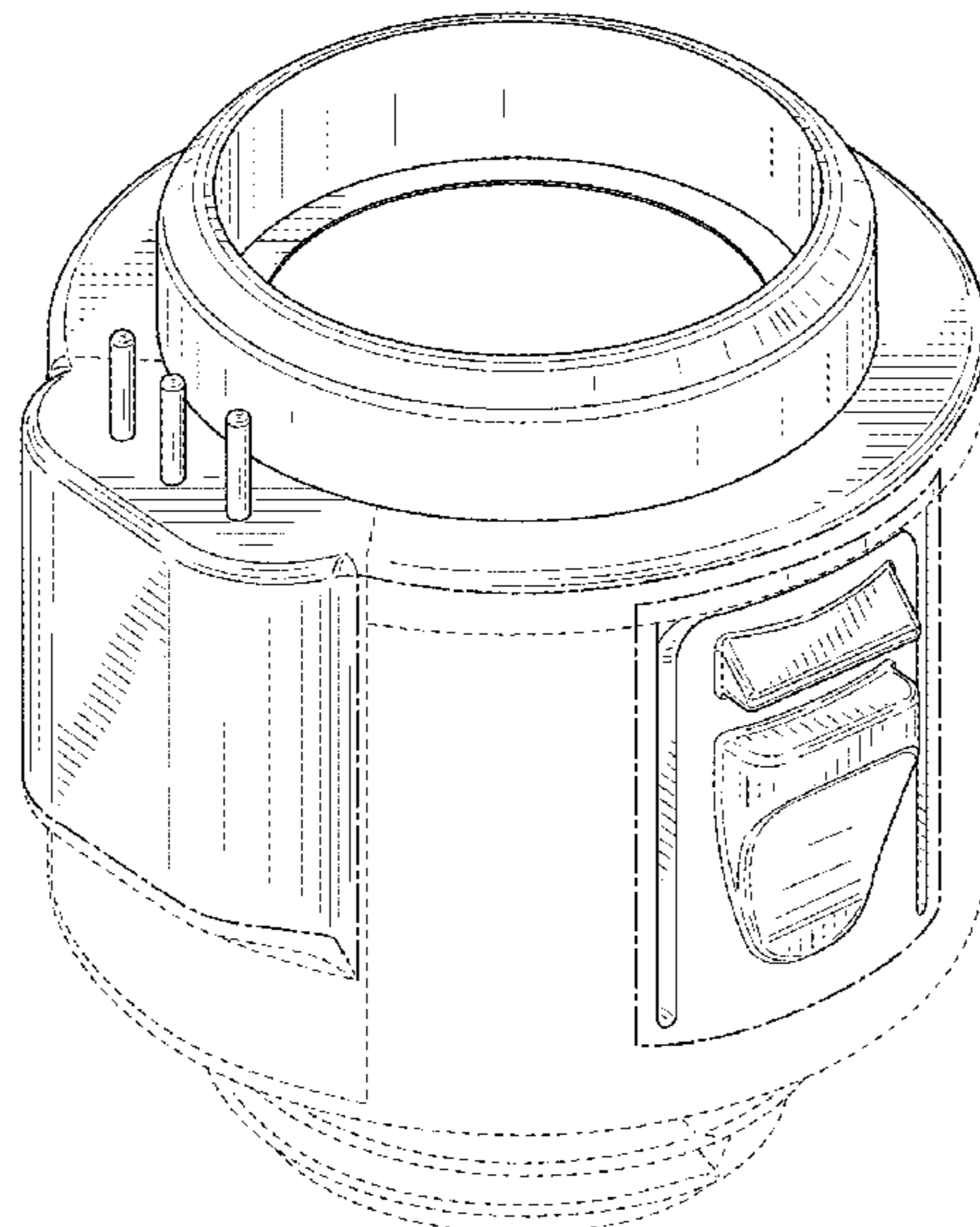
FIG. 1 is a top, front, right perspective view of an embodiment of the claimed design;
 FIG. 2 is a bottom, front, left perspective view thereof;
 FIG. 3 is a right side elevation view thereof;
 FIG. 4 is a left side elevation view thereof;
 FIG. 5 is a front elevation view thereof;
 FIG. 6 is a rear elevation view thereof;
 FIG. 7 is a top plan view thereof; and,
 FIG. 8 is a bottom plan view thereof.

The ornamental design which is claimed is shown in solid lines in the drawings. The broken lines in the drawings are for illustrative purposes only and form no part of the claimed design. Broken lines formed by equal length dashes show unclaimed subject matter. Broken lines formed by unequal length dashes (i.e., dash-dot) define bounds of the claimed design.

(56) **References Cited**
U.S. PATENT DOCUMENTS

- D237,835 S 11/1975 Bevan et al.
- D262,538 S 1/1982 Erikson
- D317,613 S 6/1991 Channell
- D589,060 S 3/2009 Metcalfe

1 Claim, 8 Drawing Sheets



(56)

References Cited

U.S. PATENT DOCUMENTS

D764,551 S 8/2016 Fowler et al.
D802,024 S 11/2017 Aoki
D803,894 S 11/2017 Kennedy et al.
D831,074 S * 10/2018 Ecklund D15/7

* cited by examiner

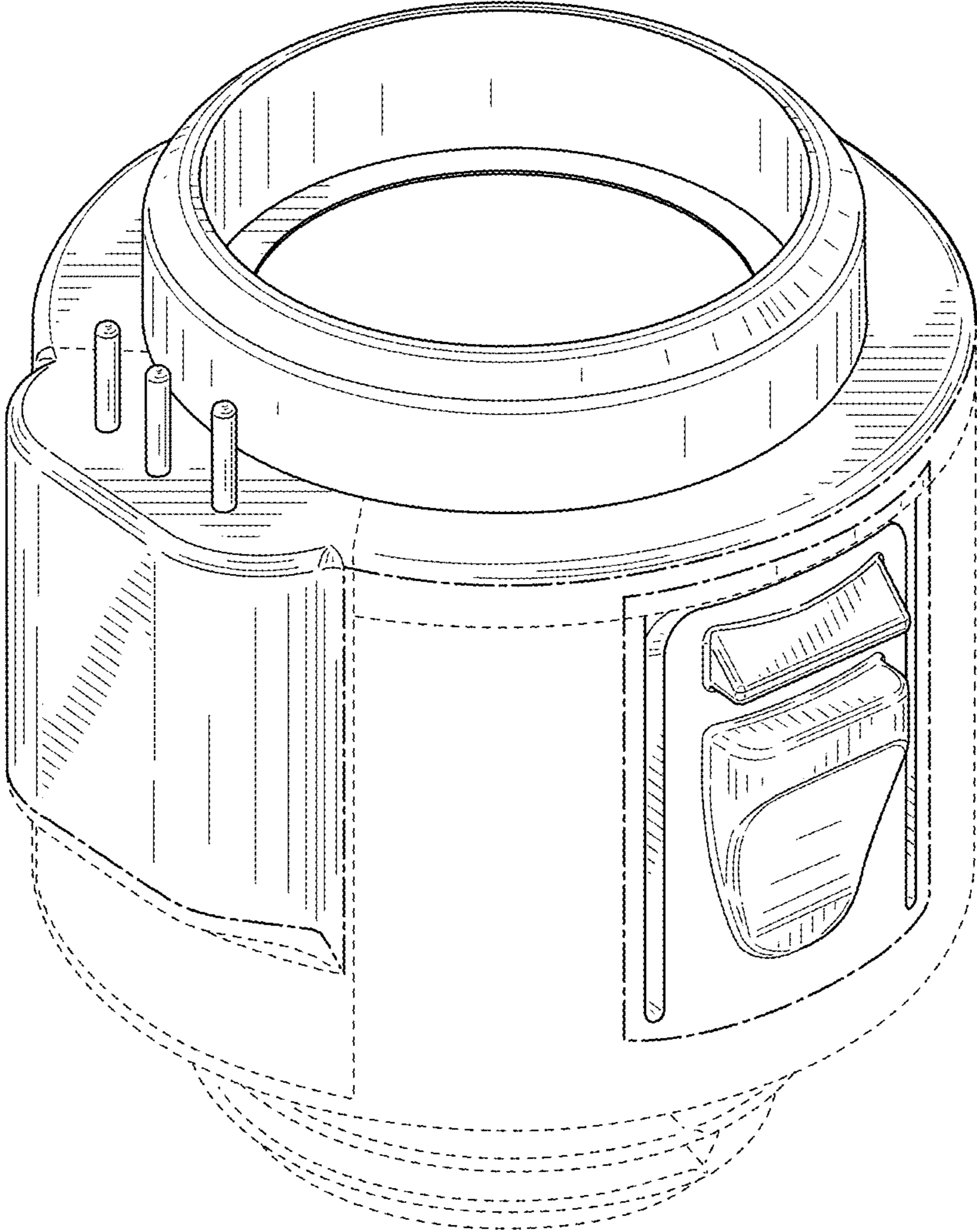


FIG. 1

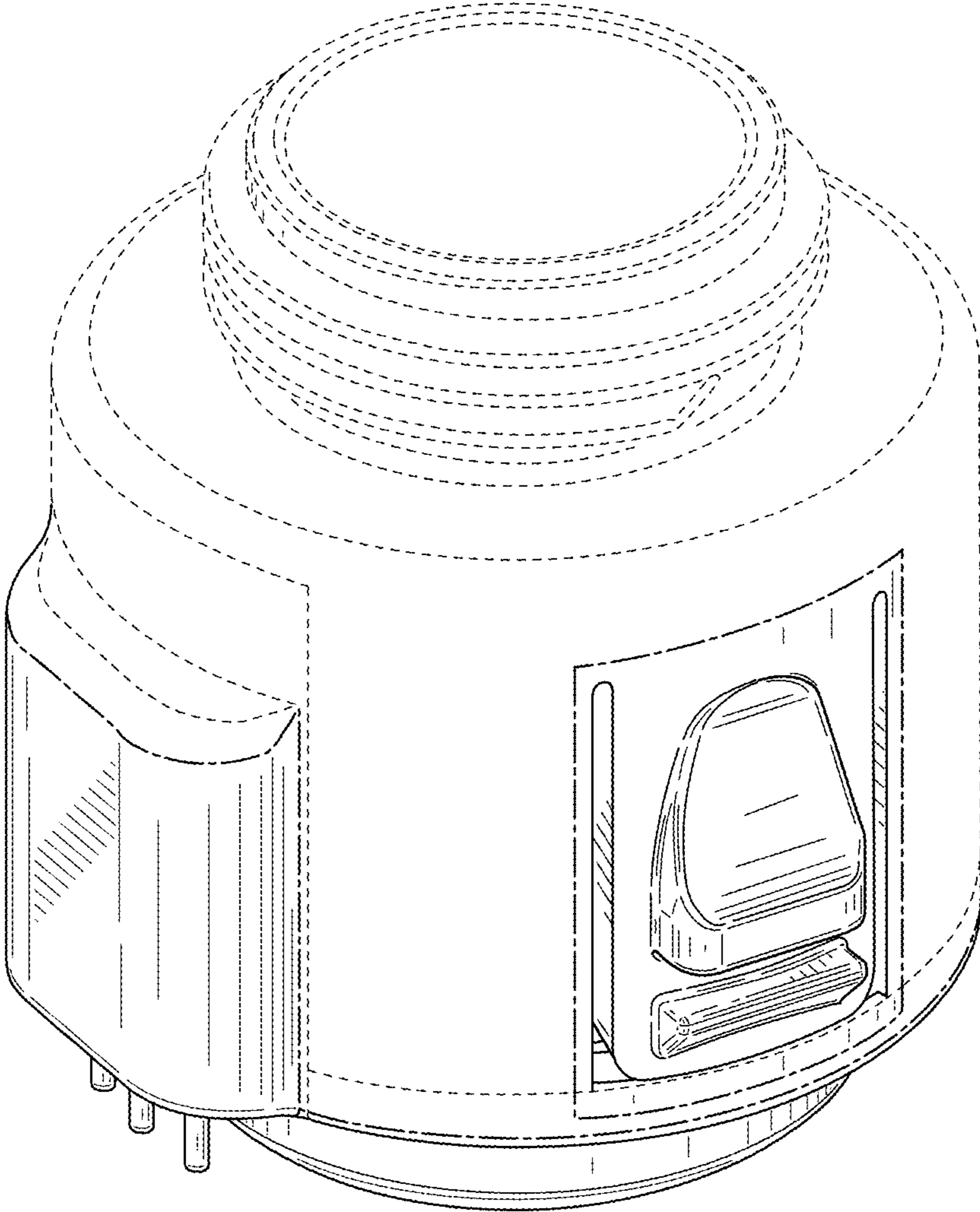


FIG. 2

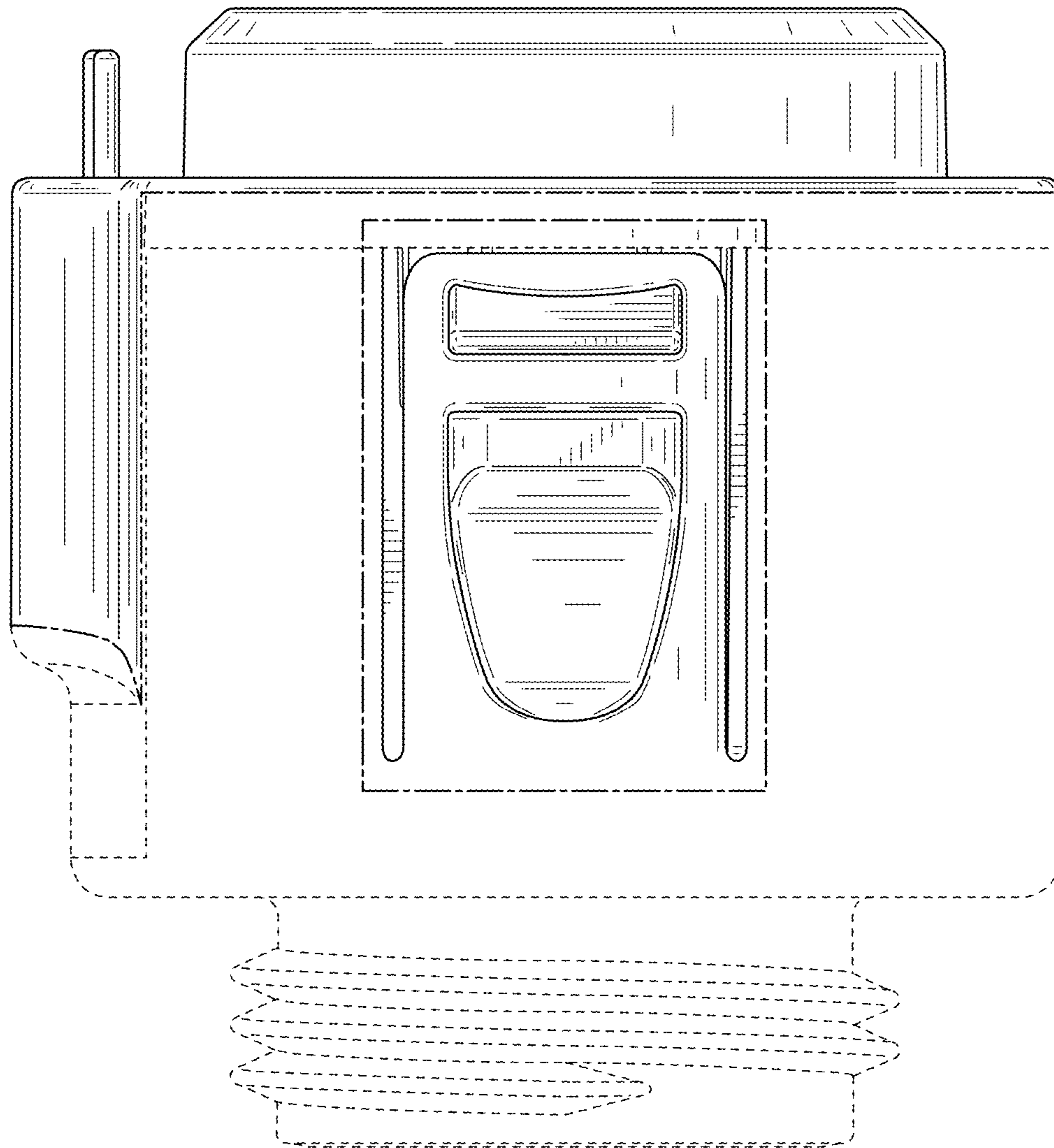


FIG. 3

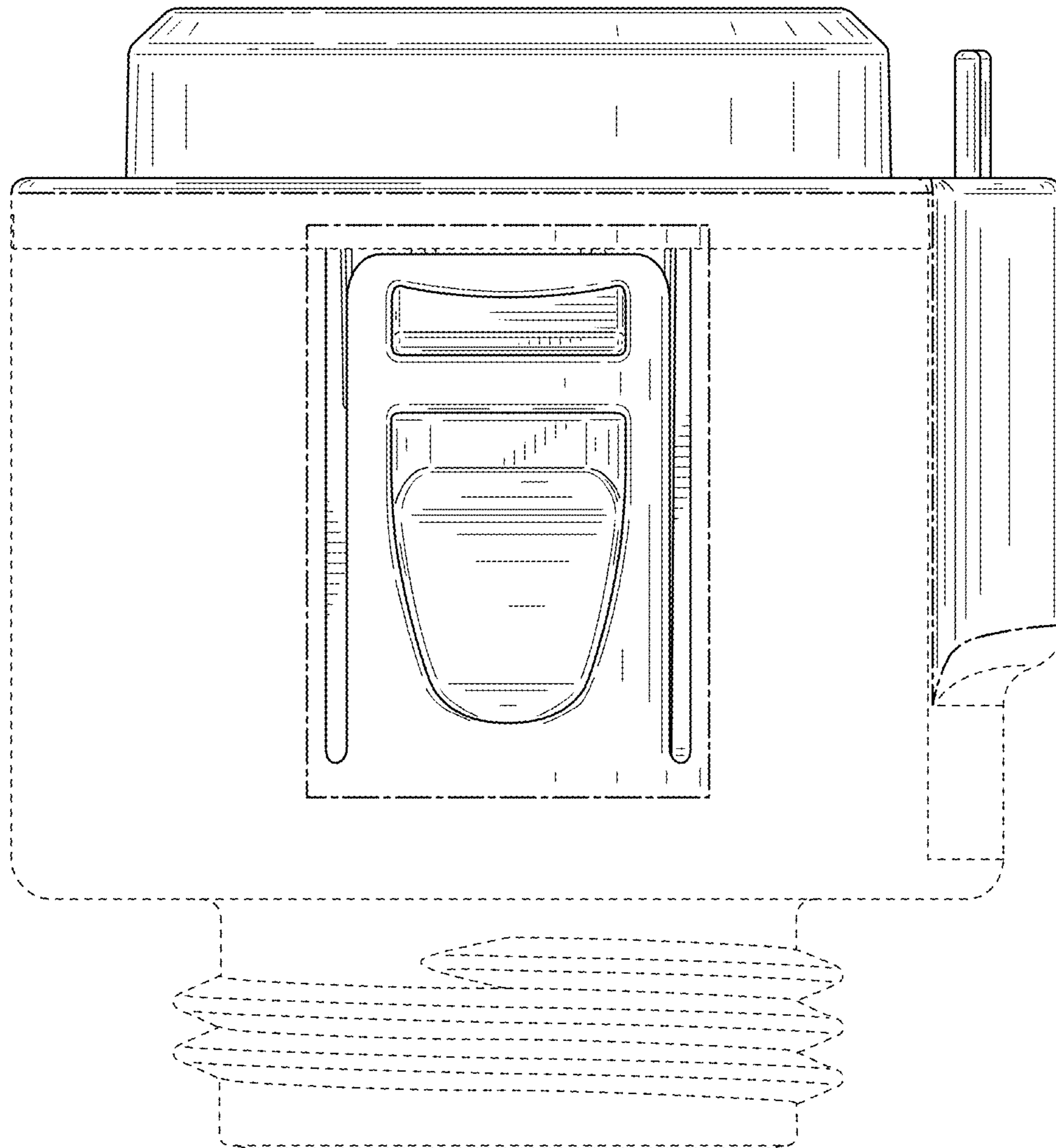


FIG. 4

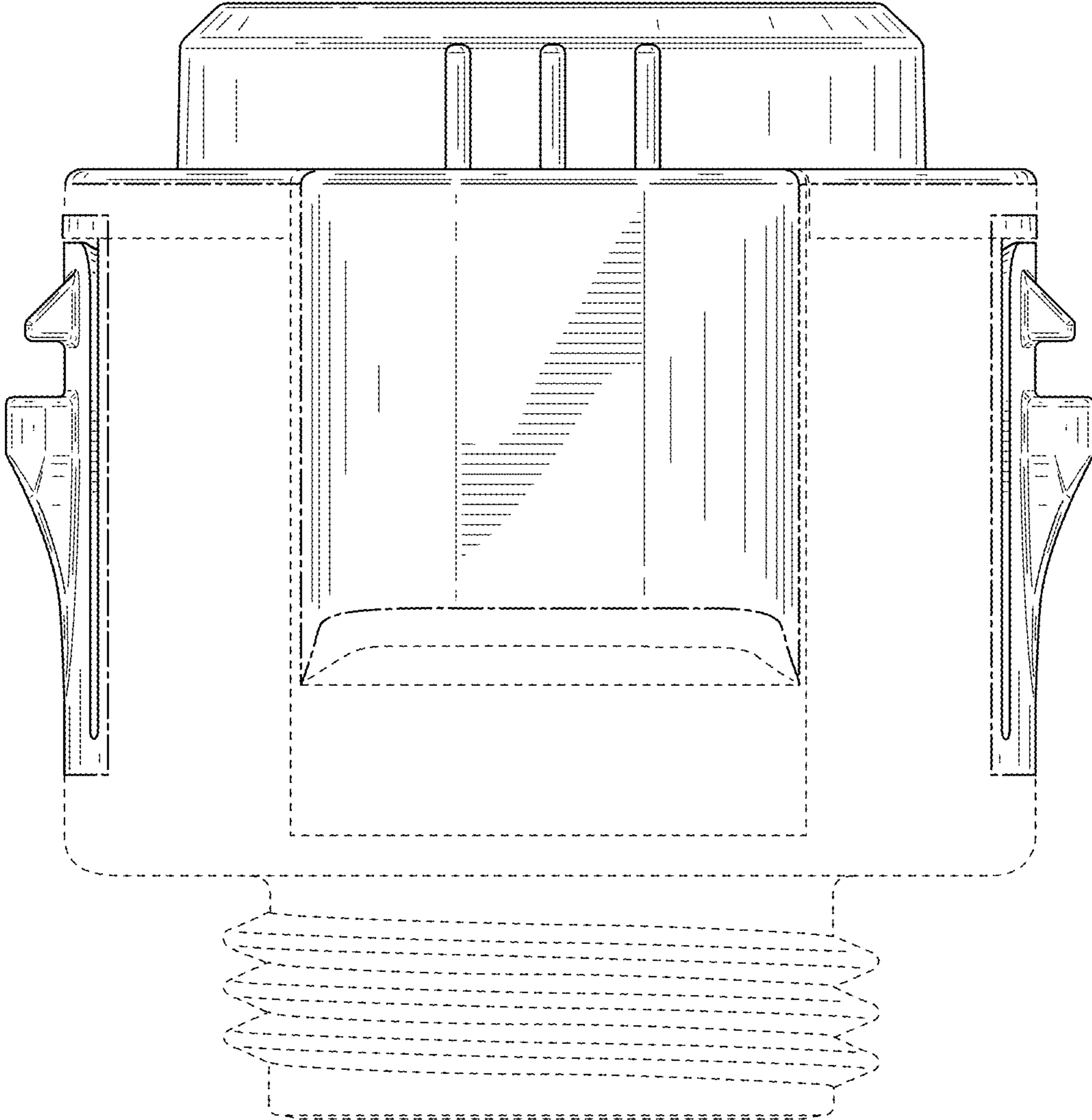


FIG. 5

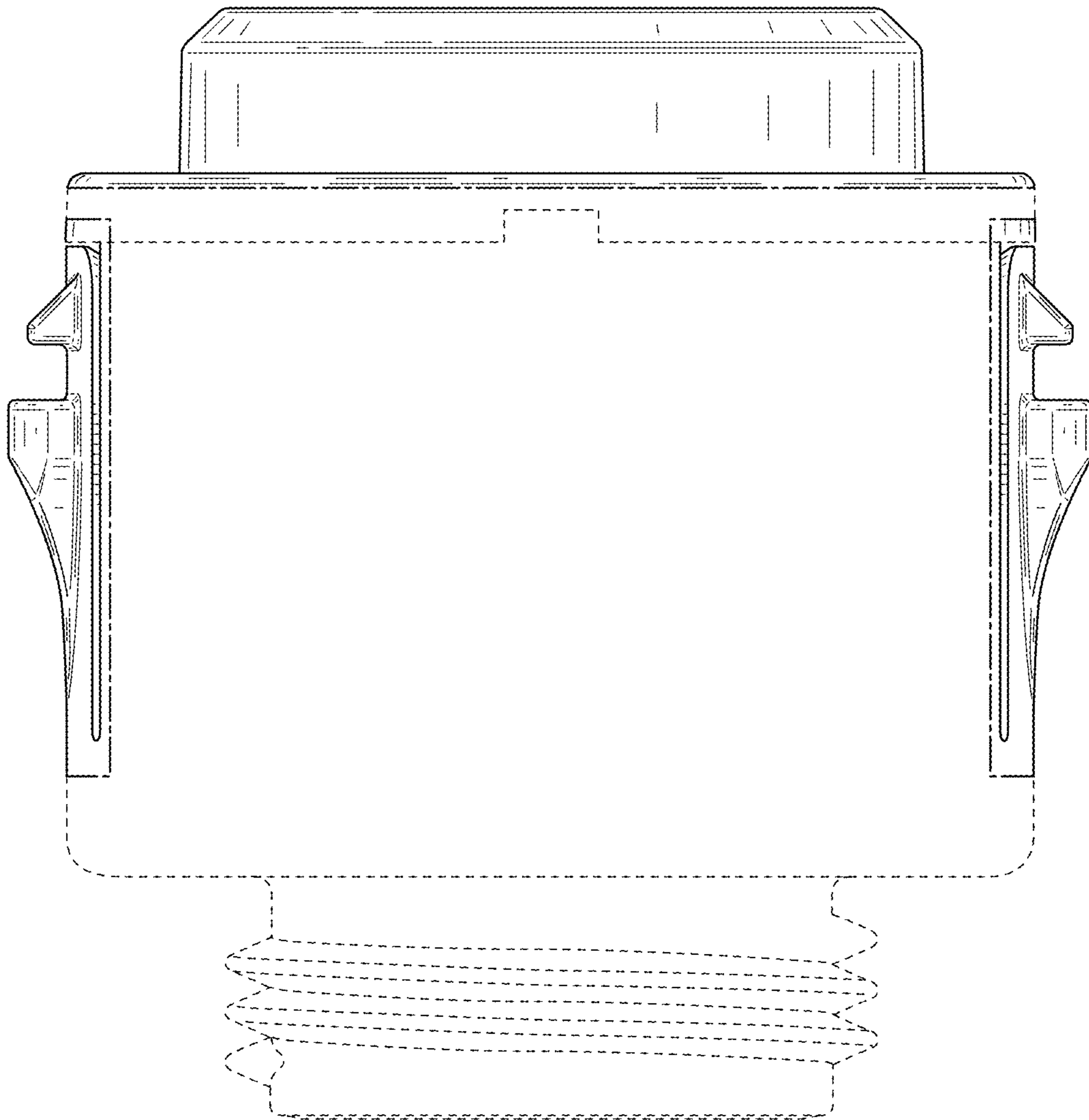


FIG. 6

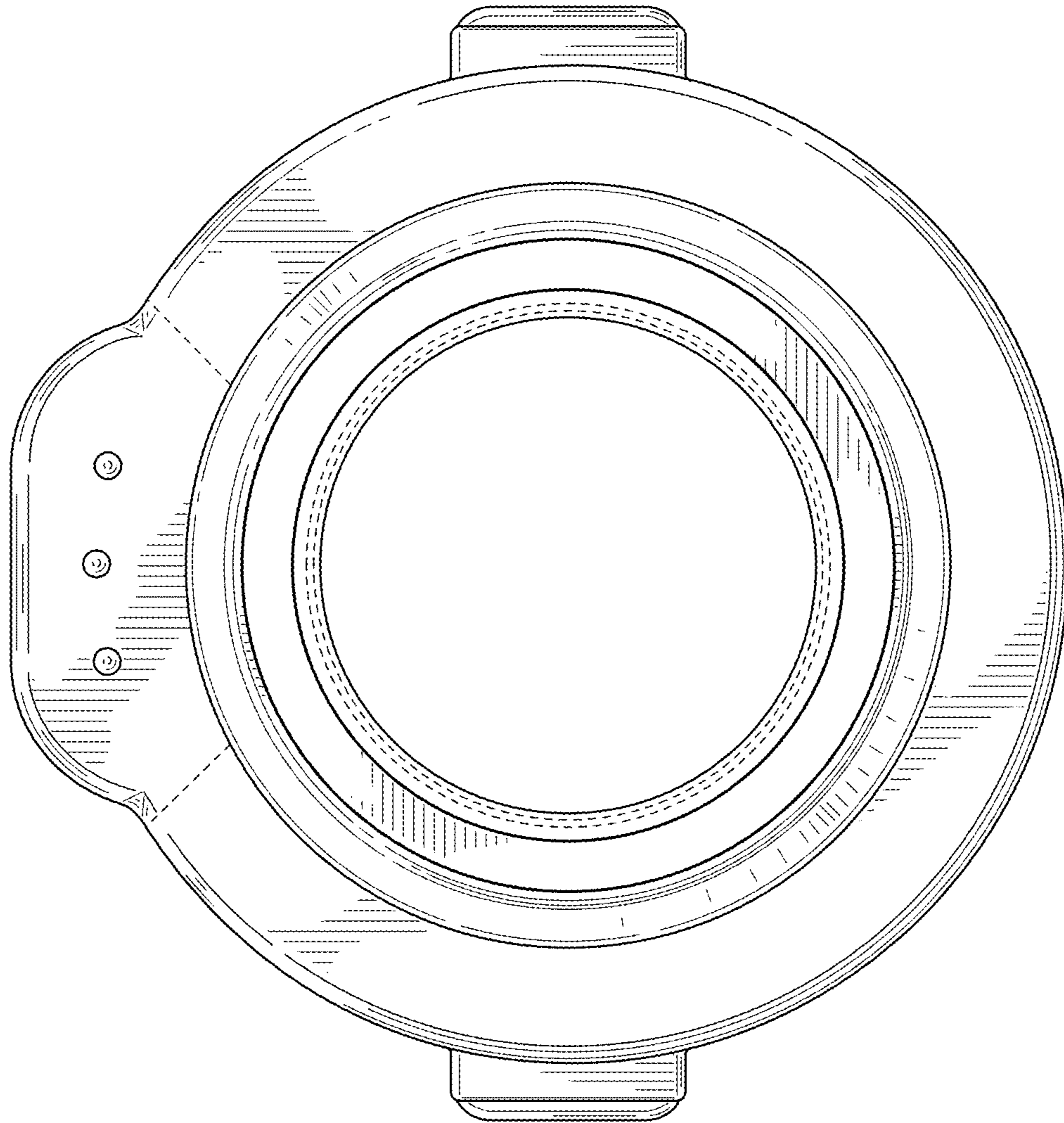


FIG. 7

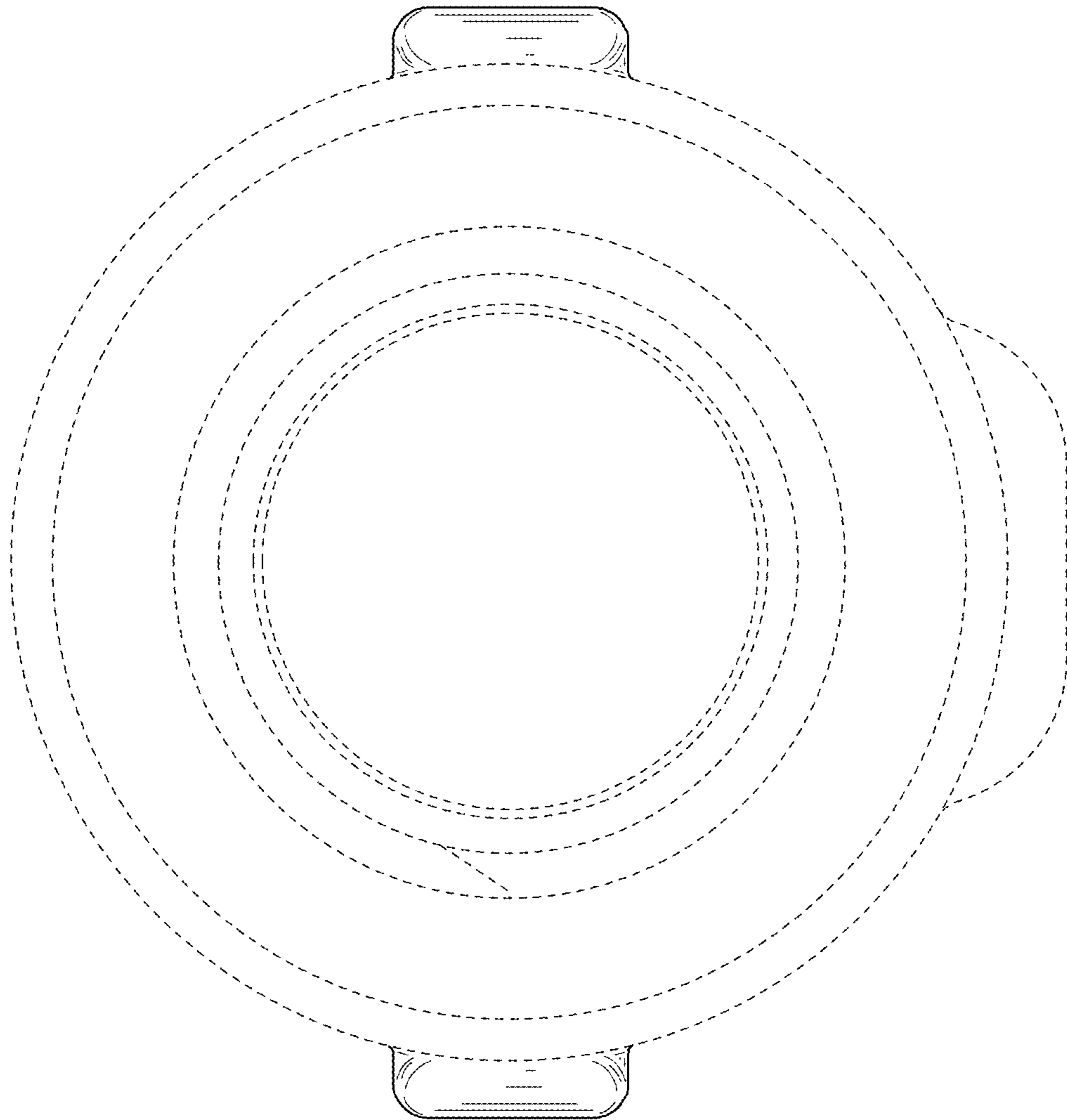


FIG. 8