

US00D878422S

(12) **United States Design Patent**
Yamanaka et al.

(10) **Patent No.:** **US D878,422 S**
(45) **Date of Patent:** **** Mar. 17, 2020**

(54) **AIR COOLER**

(71) Applicant: **DENSO CORPORATION**, Kariya,
Aichi-pref. (JP)

(72) Inventors: **Akira Yamanaka**, Kariya (JP); **Shota Terachi**, Kariya (JP)

(73) Assignee: **DENSO CORPORATION**, Kariya (JP)

(**) Term: **15 Years**

(21) Appl. No.: **29/629,483**

(22) Filed: **Dec. 13, 2017**

(30) **Foreign Application Priority Data**

Aug. 10, 2017 (JP) 2017-17406

(51) **LOC (12) Cl.** **15-01**

(52) **U.S. Cl.**
USPC **D15/5; D15/2**

(58) **Field of Classification Search**
USPC D15/1-5, 14; D23/314, 328, 330, 331,
D23/333, 351

CPC F02C 7/185; F02B 29/0462; F02M 26/19;
F02M 35/10268; F02M 35/116; Y02T
50/671; Y02T 50/675

See application file for complete search history.

(56) **References Cited**

U.S. PATENT DOCUMENTS

D234,011 S *	12/1974	Warneford	D15/5
D405,095 S *	2/1999	Wada	D15/5
D407,152 S *	3/1999	Colliver	D23/333
D517,567 S *	3/2006	Teeter	D15/5
D654,094 S *	2/2012	Dralle	D15/5
D665,821 S *	8/2012	Capko	D15/5
D669,917 S *	10/2012	Spiegel	D15/5
D677,699 S *	3/2013	Finnican	D15/5
D677,700 S *	3/2013	Hsu	D15/5
D679,288 S *	4/2013	Grubisich	D15/5

D680,132 S *	4/2013	Finnican	D15/5
D694,265 S *	11/2013	Spiegel	D15/5
D697,943 S *	1/2014	Capko	D15/5
D737,332 S *	8/2015	Zoner	D15/5
D737,862 S *	9/2015	Finnican	D15/5

(Continued)

FOREIGN PATENT DOCUMENTS

JP 2006-090209 A 4/2006

Primary Examiner — Brett Miller

Assistant Examiner — Fritzgerald L Butac

(74) *Attorney, Agent, or Firm* — Oliff PLC

(57) **CLAIM**

The ornamental design for an air cooler, as shown and described.

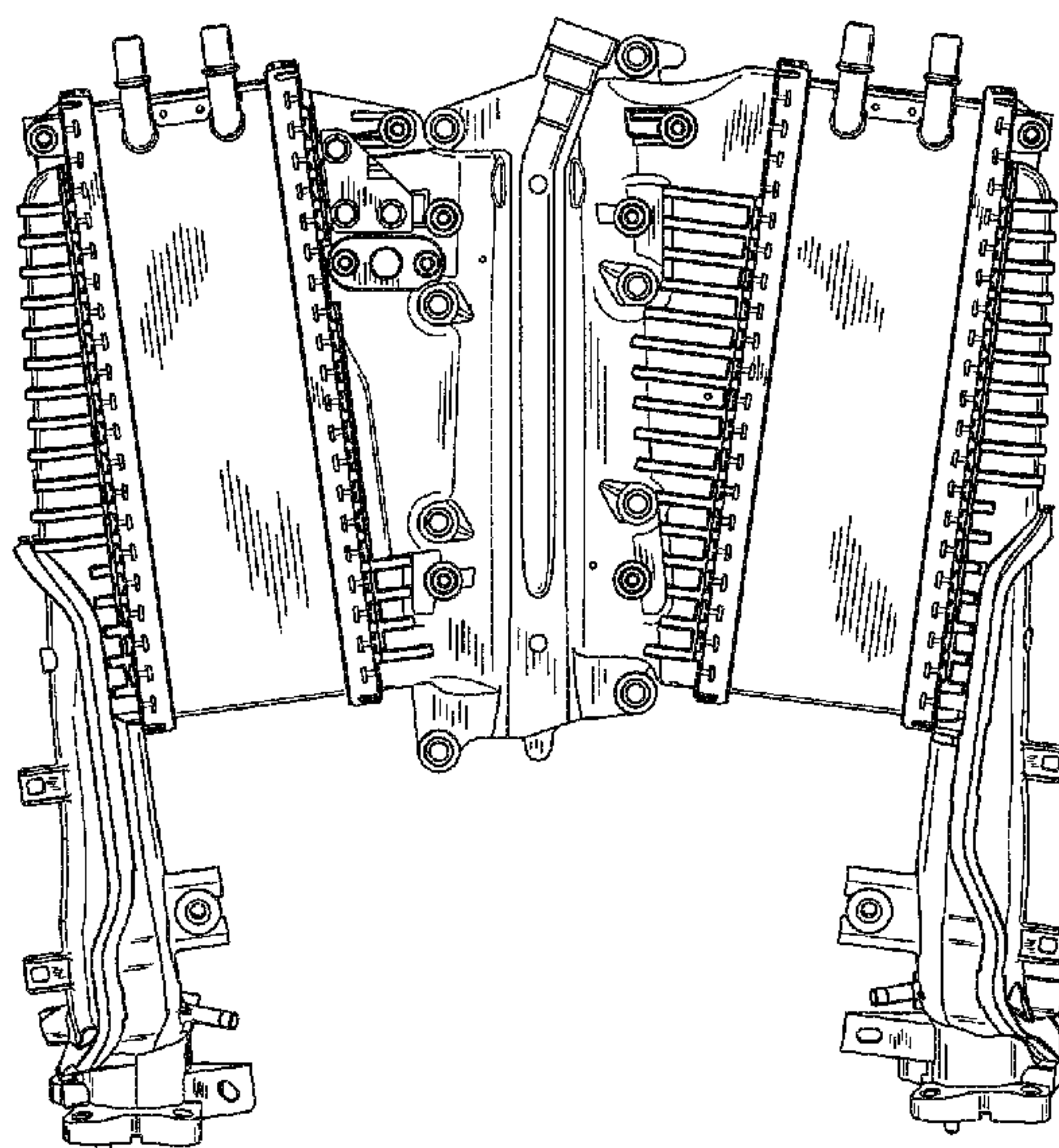
DESCRIPTION

FIG. 1 is a front elevational view of the air cooler; FIG. 2 is a rear elevational view thereof; FIG. 3 is a left-side elevational view thereof; FIG. 4 is a right-side elevational view thereof; FIG. 5 is a top plan view thereof; FIG. 6 is a bottom plan view thereof; FIG. 7 is a partial-enlarged view of a part of FIG. 5, enclosed by broken line 7, as seen in FIG. 5; FIG. 8 is a partial-enlarged view of a part of FIG. 6, enclosed by broken line 8, as seen in FIG. 6; FIG. 9 is a first perspective view of the air cooler; FIG. 10 is a second perspective view of the air cooler; and, FIG. 11 is a reference view of the air cooler showing a using state.

The broken lines seen in FIGS. 5-8 represent locations and borders for enlarged views and form no part of the claimed design.

The broken lines seen in FIG. 11 are for the purpose of showing environmental structure and form no part of the claimed design.

1 Claim, 6 Drawing Sheets



(56)

References Cited

U.S. PATENT DOCUMENTS

D765,142	S	*	8/2016	Hunter	D15/5
D765,143	S	*	8/2016	VanderMeulen	D15/5
D765,144	S	*	8/2016	VanderMeulen	D15/5
D770,535	S	*	11/2016	Carbone	D15/5
D794,681	S	*	8/2017	Newman	D15/5
D794,682	S	*	8/2017	Newman	D15/5
D802,628	S	*	11/2017	Fischetto	D15/5
D858,580	S	*	9/2019	Azuma	D15/5
D859,472	S	*	9/2019	Azuma	D15/5
2014/0311142	A1	*	10/2014	Speidel	F02B 33/44 60/599
2014/0311143	A1	*	10/2014	Speidel	F02B 37/00 60/599
2015/0059336	A1	*	3/2015	Fehrenbach	F02B 29/0462 60/599

* cited by examiner

FIG. 1

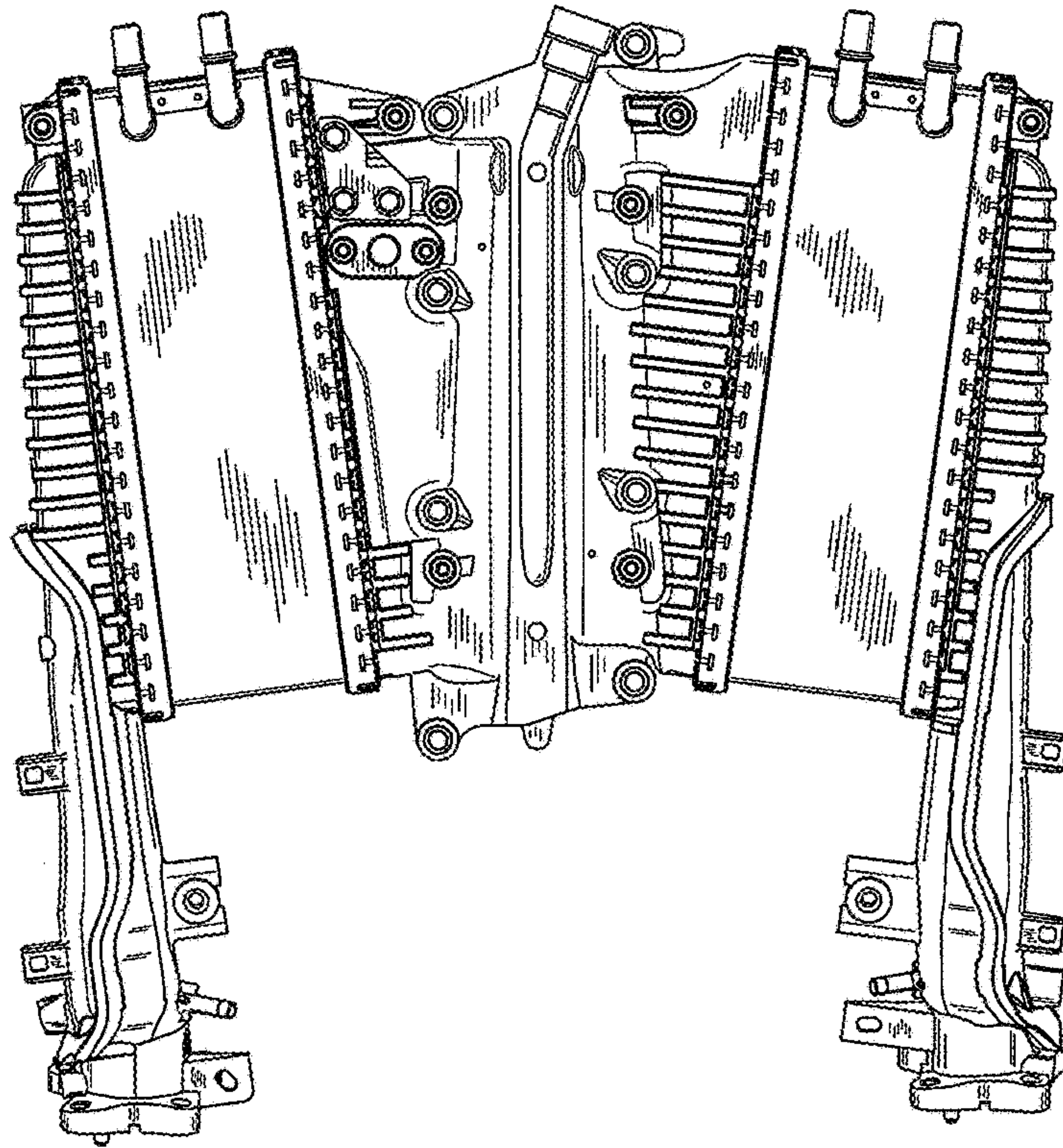


FIG. 2

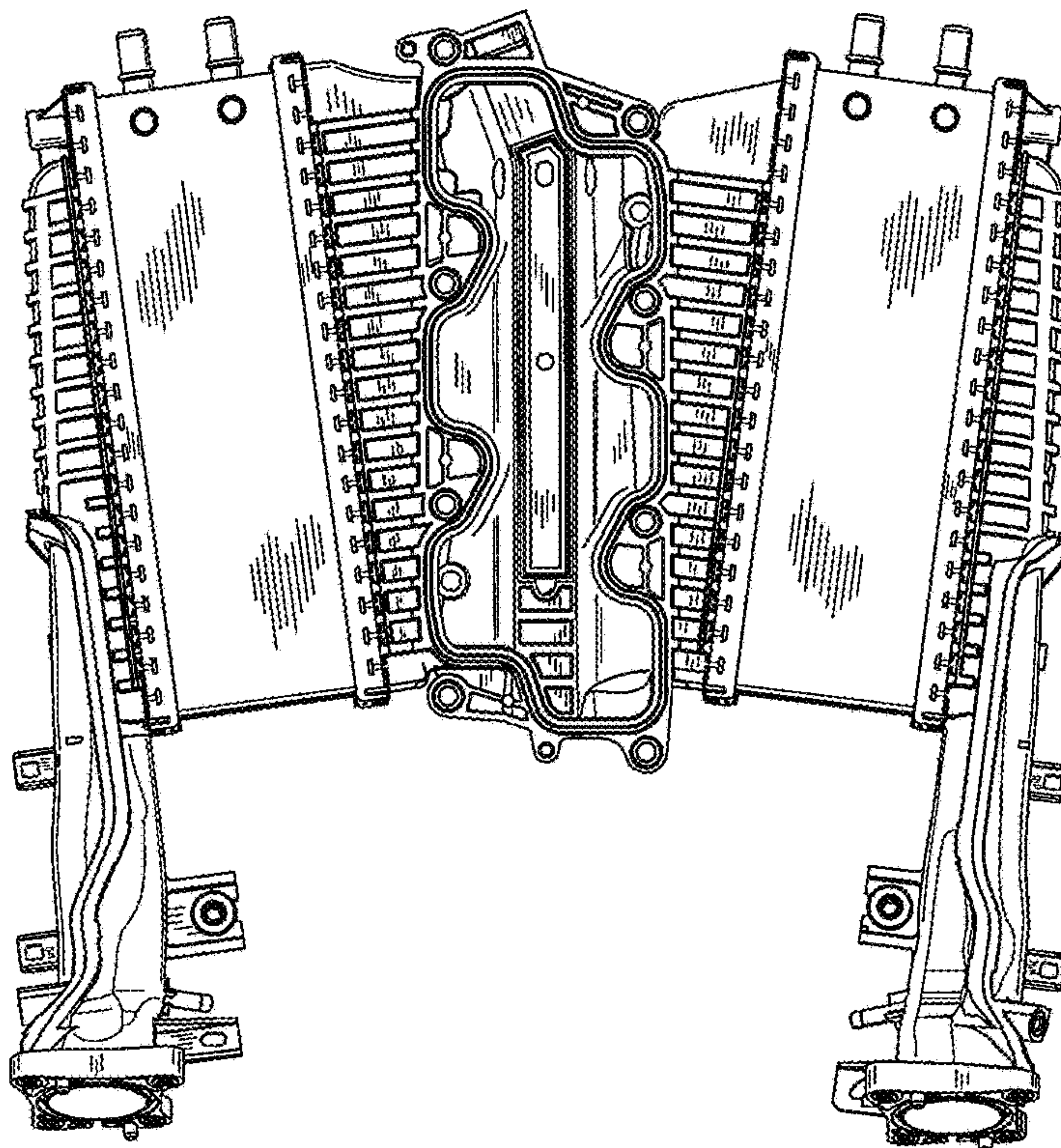


FIG. 3

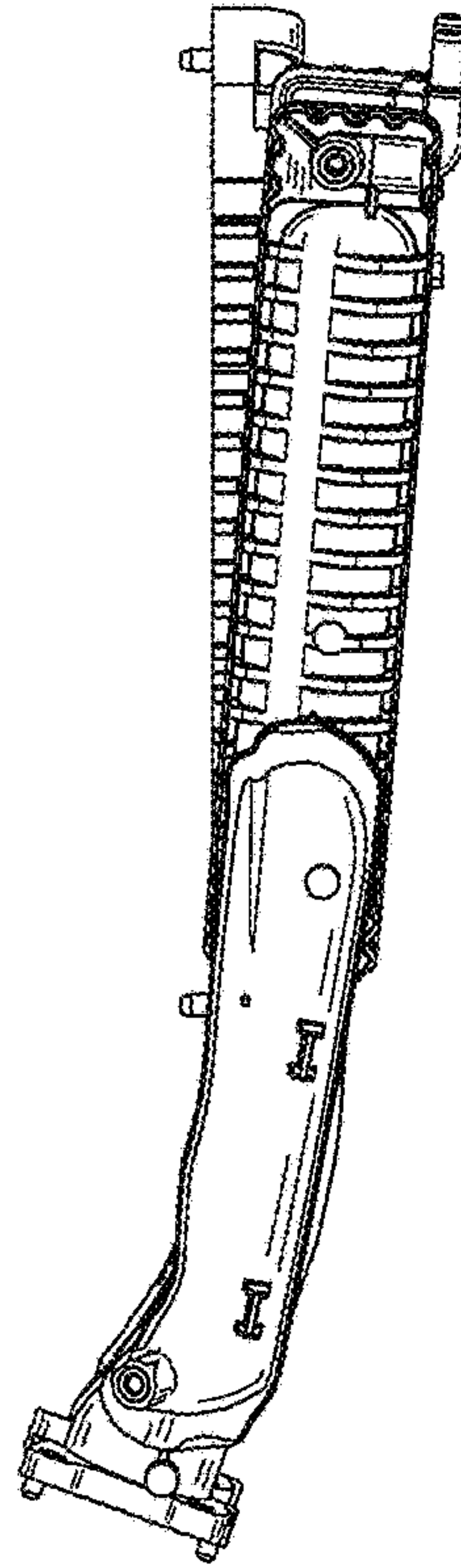


FIG. 4

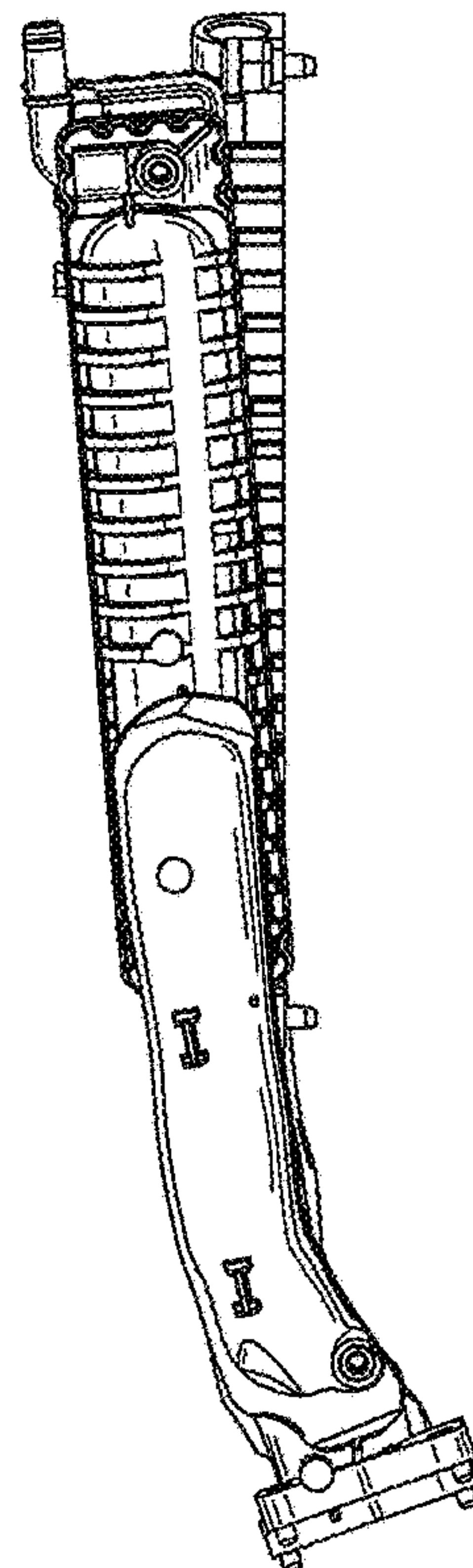


FIG. 5

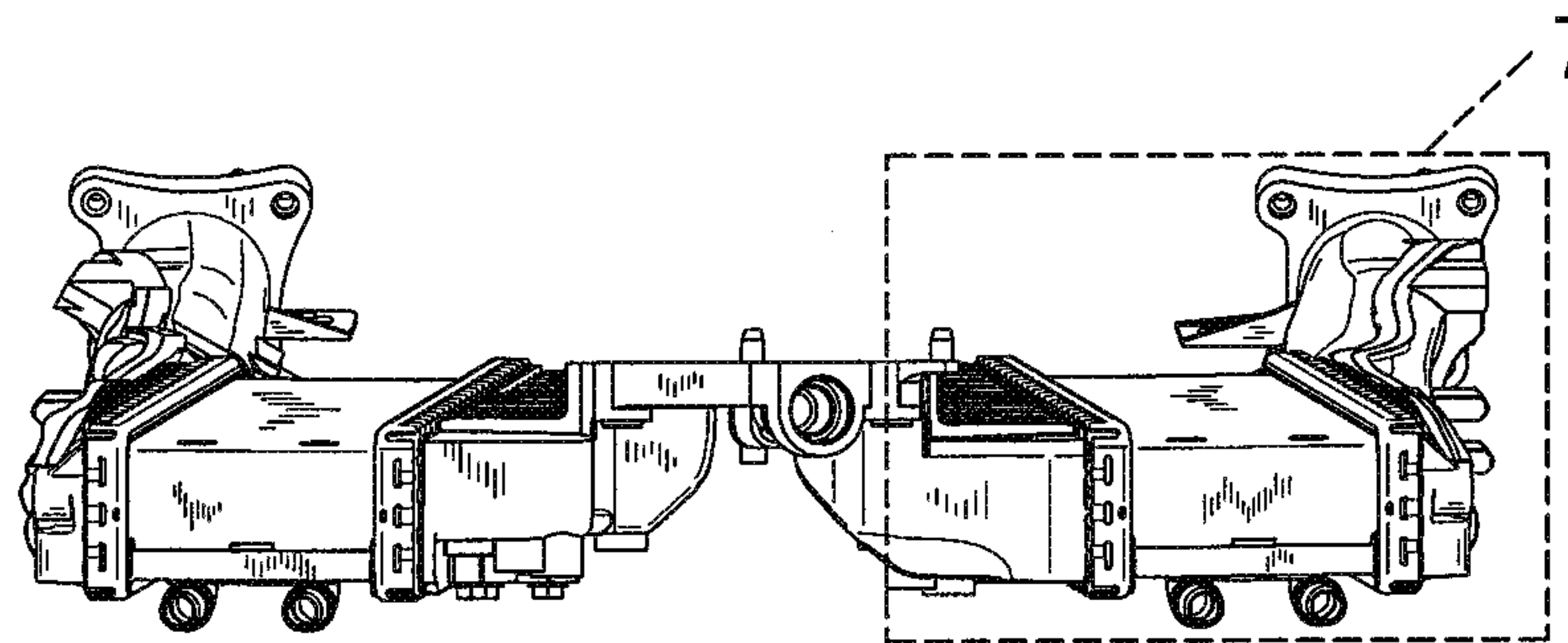


FIG. 6

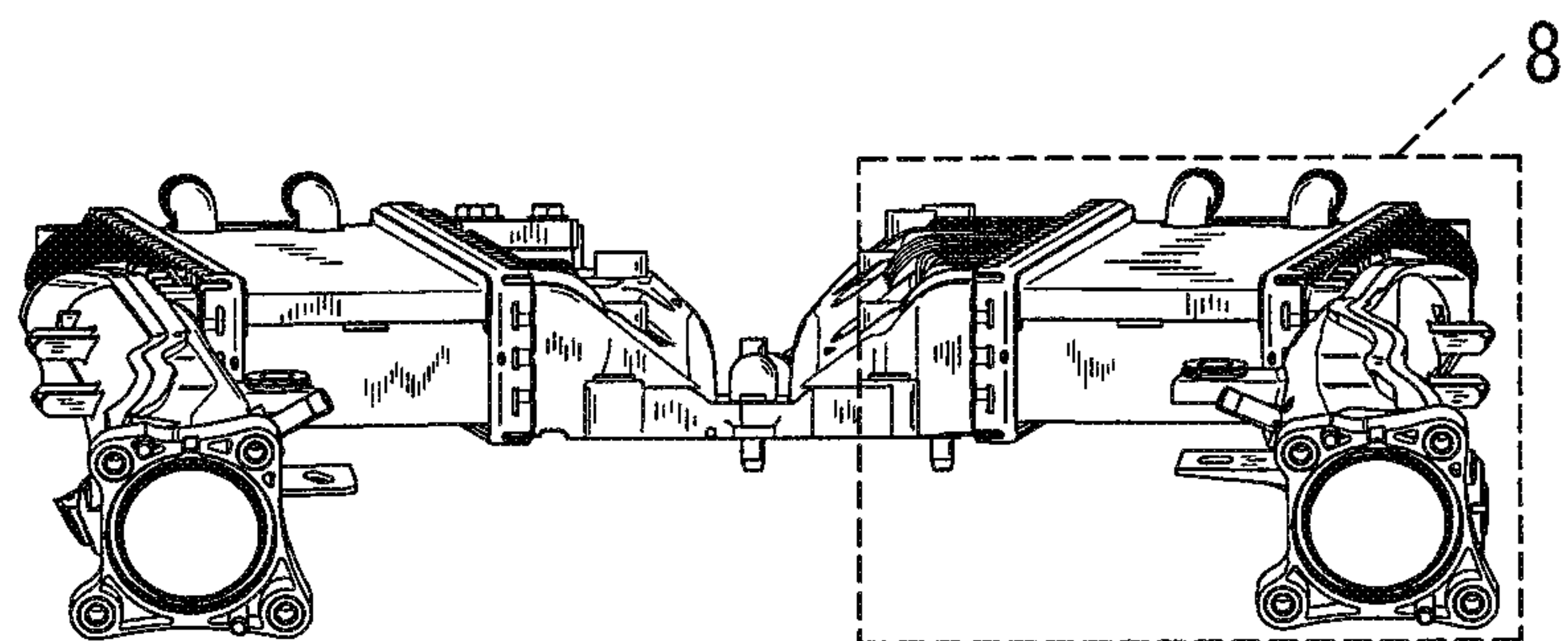


FIG. 7

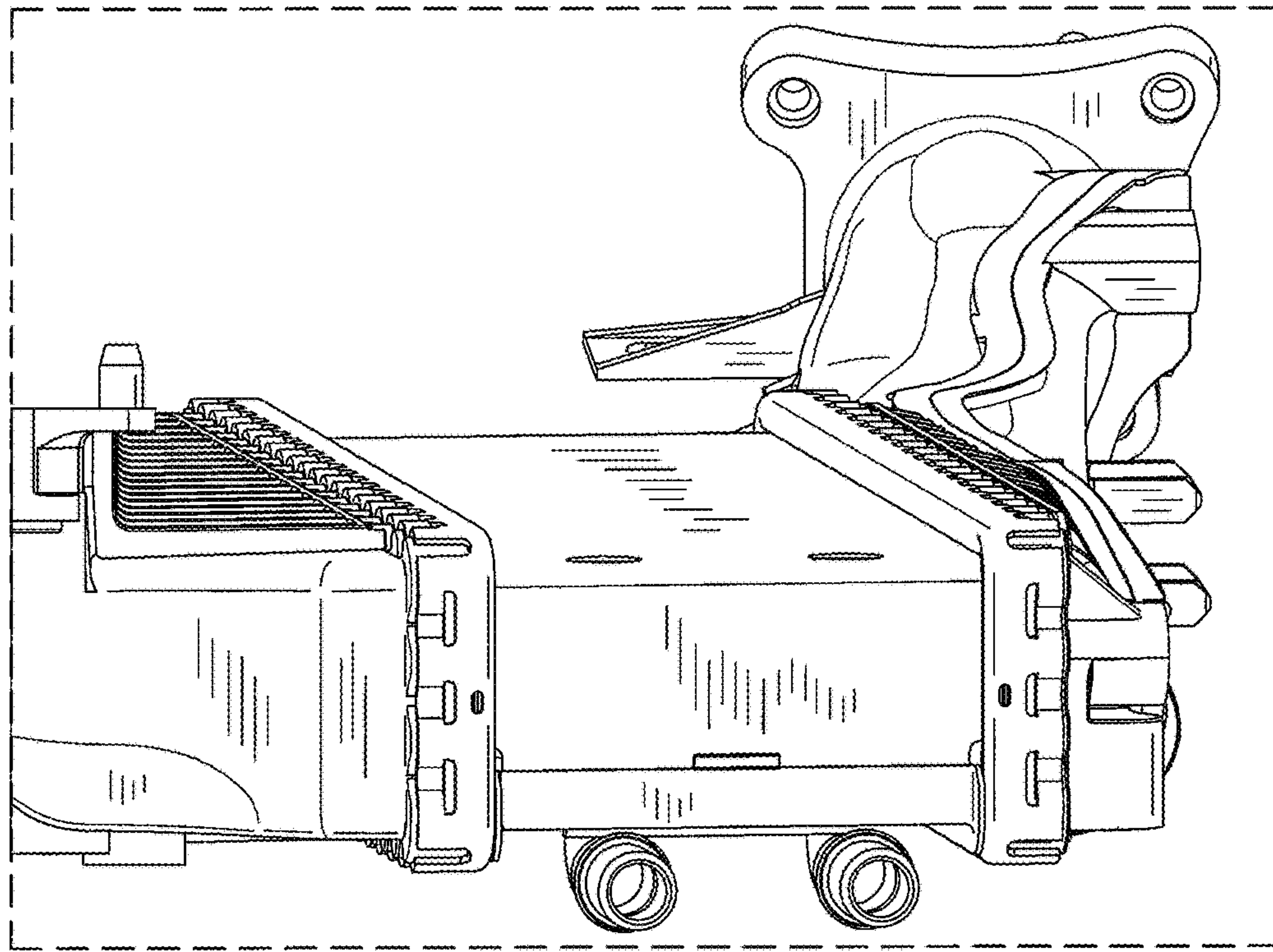


FIG. 8

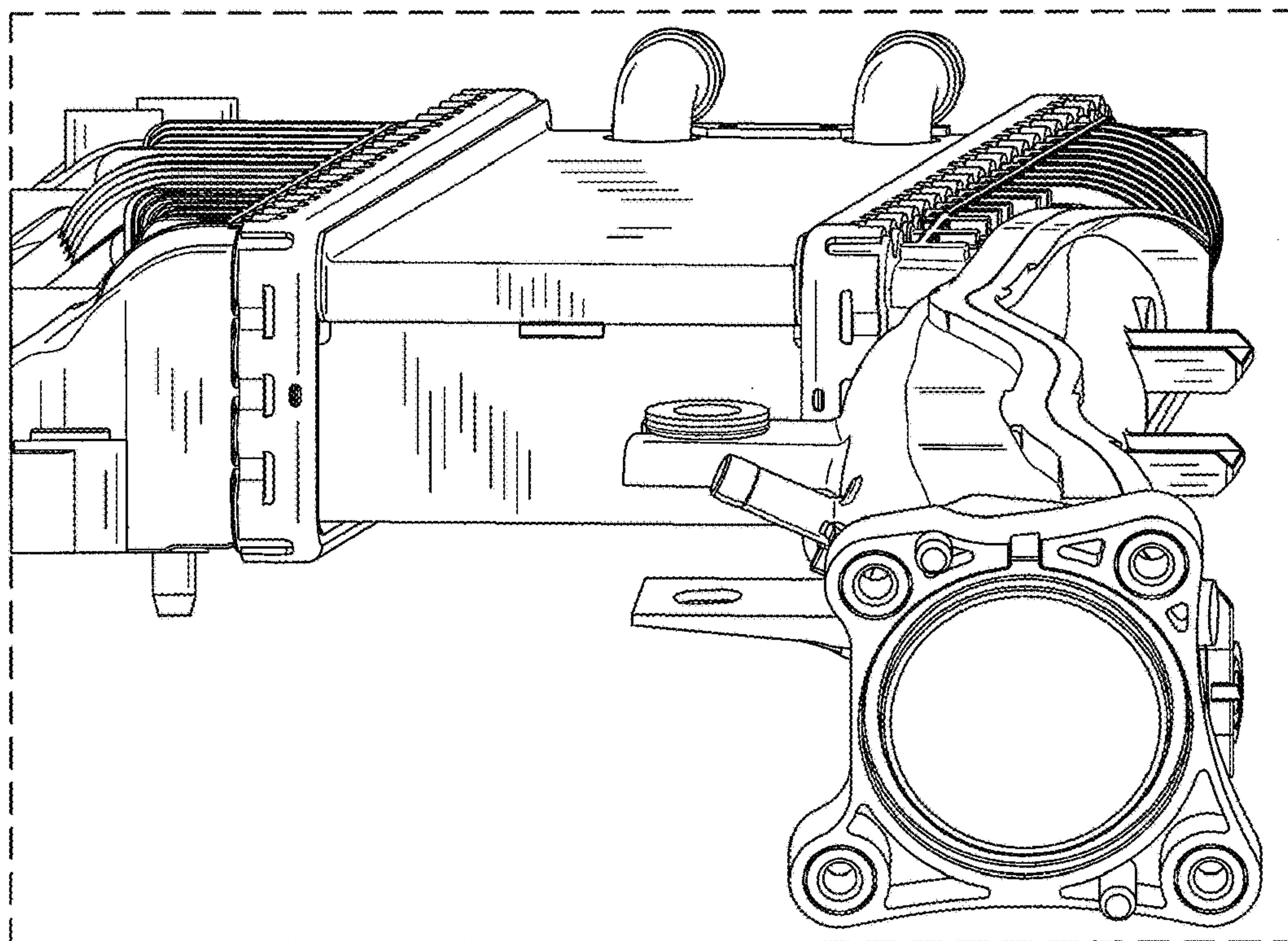


FIG. 9

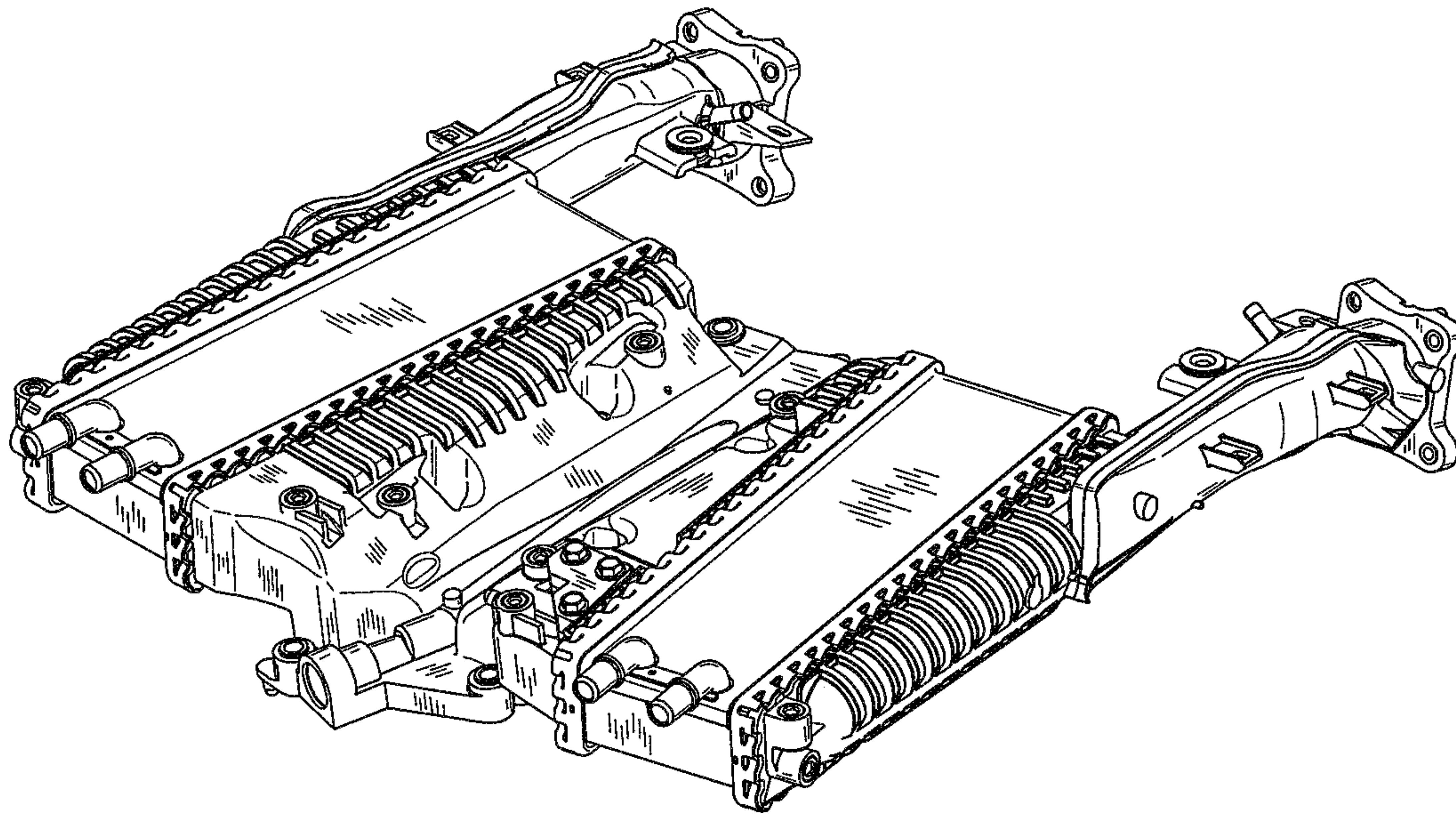


FIG. 10

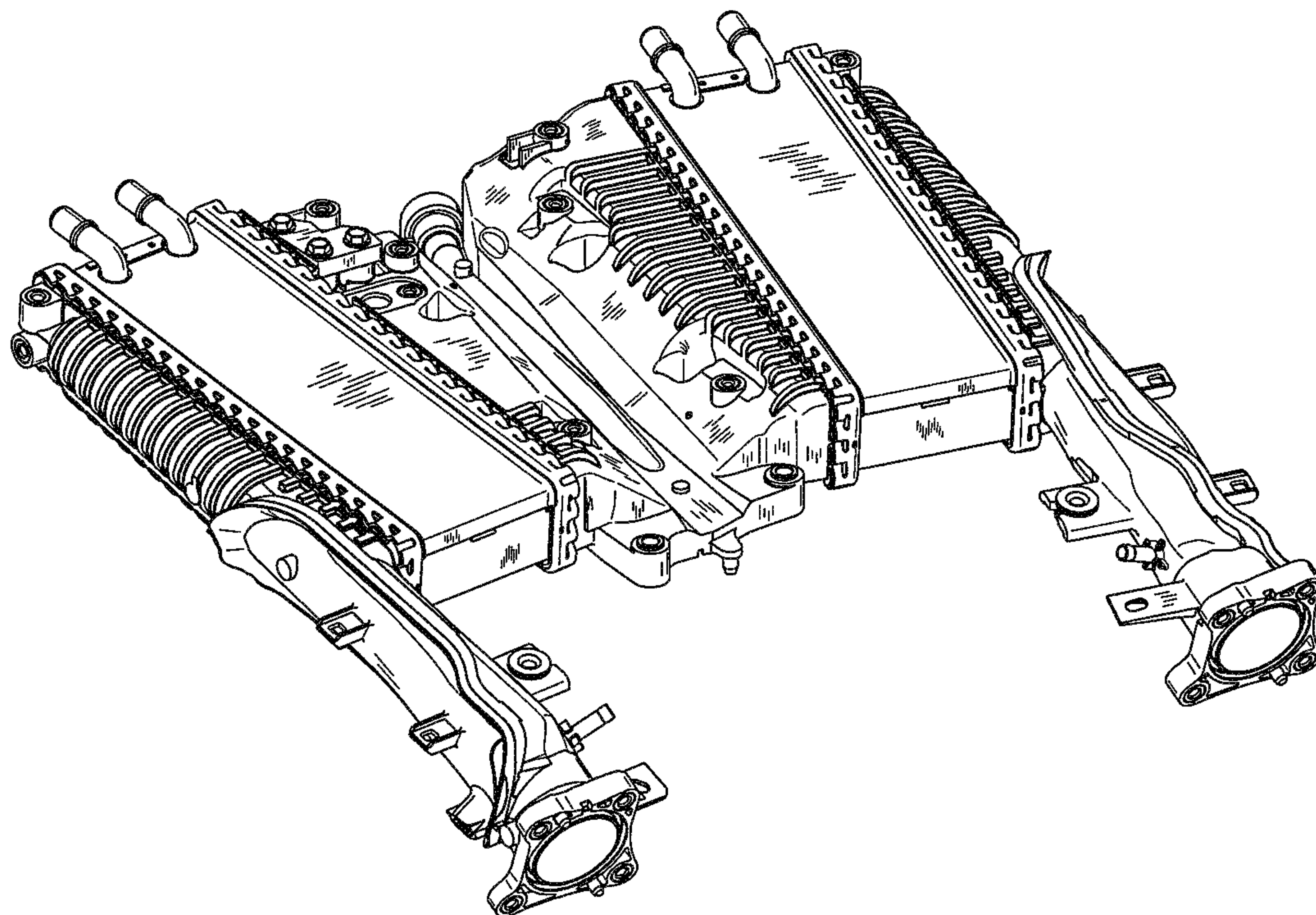


FIG. 11

