



US00D878421S

(12) **United States Design Patent**
Jiang

(10) **Patent No.:** **US D878,421 S**

(45) **Date of Patent:** **** Mar. 17, 2020**

(54) **DVD-DRIVE**

(71) Applicant: **Dongguan shiyi electronics co., LTD,**
Dongguan (CN)

(72) Inventor: **Lian-Bo Jiang,** Dongguan (CN)

(73) Assignee: **Dongguan shiyi electronics co., LTD,**
Dongguan (CN)

(**) Term: **15 Years**

(21) Appl. No.: **29/703,576**

(22) Filed: **Aug. 28, 2019**

(30) **Foreign Application Priority Data**

Jul. 24, 2019 (EM) 006638490-0001

(51) **LOC (12) Cl.** **14-01**

(52) **U.S. Cl.**
USPC **D14/509; D14/363**

(58) **Field of Classification Search**
USPC D14/356, 363, 365, 498-511
CPC B60K 35/00; B60K 37/00; B60K 37/02;
B60K 37/06; B60R 11/02; G11B 17/02;
G11B 17/04

See application file for complete search history.

(56) **References Cited**

U.S. PATENT DOCUMENTS

D451,080 S	*	11/2001	Kataoka	D14/509
D471,528 S	*	3/2003	Wada	D14/509
D474,757 S	*	5/2003	Takagi	D14/509
D475,035 S	*	5/2003	Takagi	D14/509
D482,672 S	*	11/2003	Takagi	D14/509
D488,796 S	*	4/2004	Hirano	D14/509
D493,158 S	*	7/2004	Yang	D14/509
D498,738 S	*	11/2004	Matsuoka	D14/509
D504,122 S	*	4/2005	Zeitman	D14/509
D504,123 S	*	4/2005	Katsuraku	D14/509

D512,400 S	*	12/2005	Zeitman	D14/509
D512,402 S	*	12/2005	Zeitman	D14/509
D513,500 S		1/2006	Chen	
D513,506 S	*	1/2006	Zeitman	D14/509
D519,979 S	*	5/2006	Suzuki	D14/509
D522,995 S	*	6/2006	Iijima	D14/509
D525,234 S	*	7/2006	Yokoyama	D14/509
D528,100 S	*	9/2006	Suzuki	D14/509
D528,524 S		9/2006	Chen	
D531,972 S	*	11/2006	Liang	D14/510
D532,402 S	*	11/2006	Lee	D14/509
D532,404 S	*	11/2006	Lee	D14/509
D534,894 S	*	1/2007	Zeitman	D14/509
D535,639 S	*	1/2007	Zeitman	D14/509
D535,640 S	*	1/2007	Zeitman	D14/509
D540,295 S	*	4/2007	Zeitman	D14/509
D551,651 S	*	9/2007	Sakai	D14/509
D559,248 S		1/2008	Heshes et al.	
D561,732 S	*	2/2008	Motoishi	D14/509

* cited by examiner

Primary Examiner — Sandra L Morris

(74) *Attorney, Agent, or Firm* — ScienBiziP, P.C.

(57) **CLAIM**

The ornamental design for a DVD-drive, as shown and described.

DESCRIPTION

FIG. 1 is a first perspective view of a DVD-drive, showing my design.

FIG. 2 is a second perspective view thereof.

FIG. 3 is a front elevation view thereof.

FIG. 4 is a rear elevation view thereof.

FIG. 5 is a left side elevation view thereof.

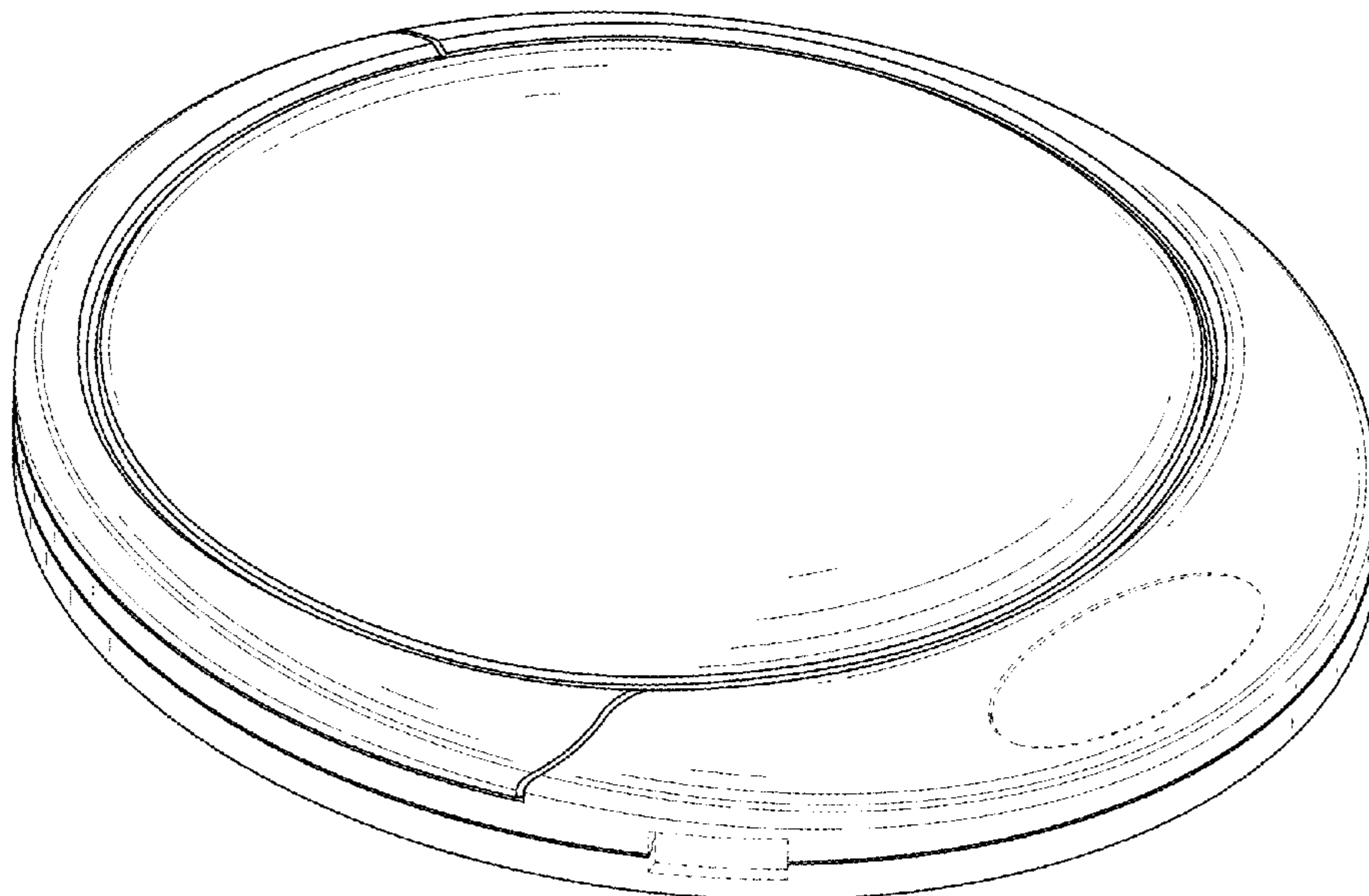
FIG. 6 is a right side elevation view thereof.

FIG. 7 is a top plan view thereof; and,

FIG. 8 is a bottom plan view thereof.

The details shown in broken lines form no part of the claimed design.

1 Claim, 8 Drawing Sheets



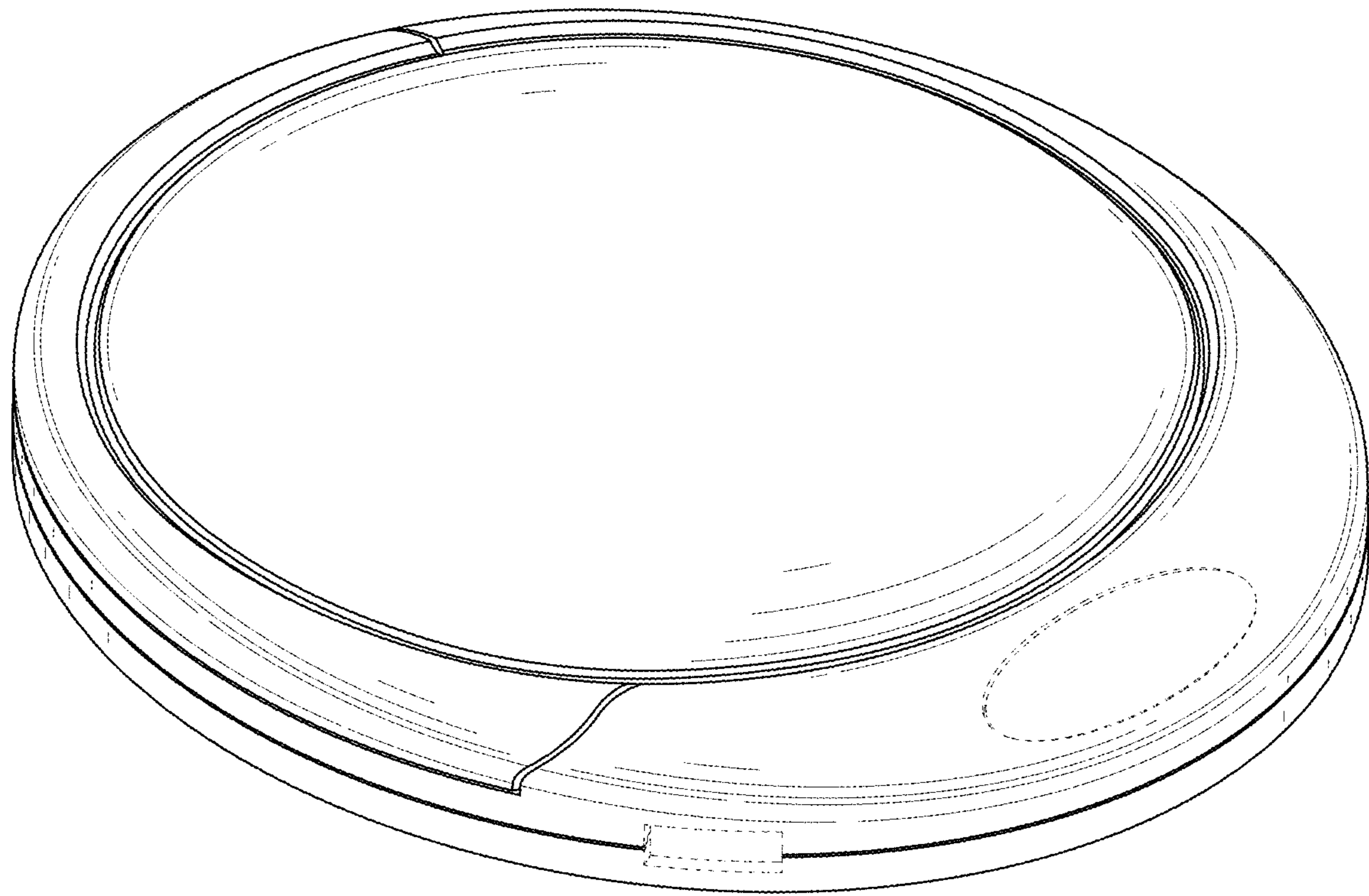


FIG. 1

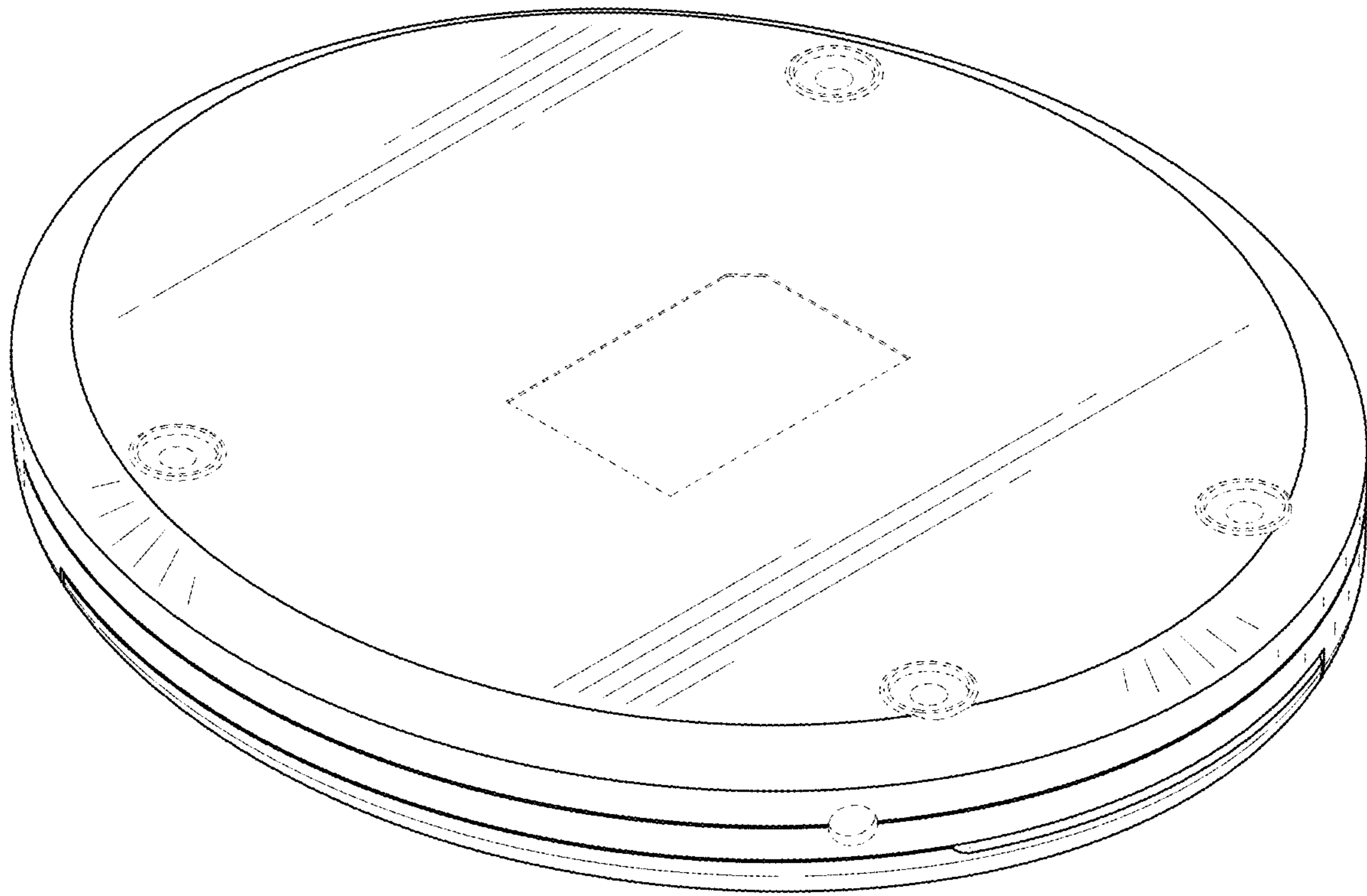


FIG. 2

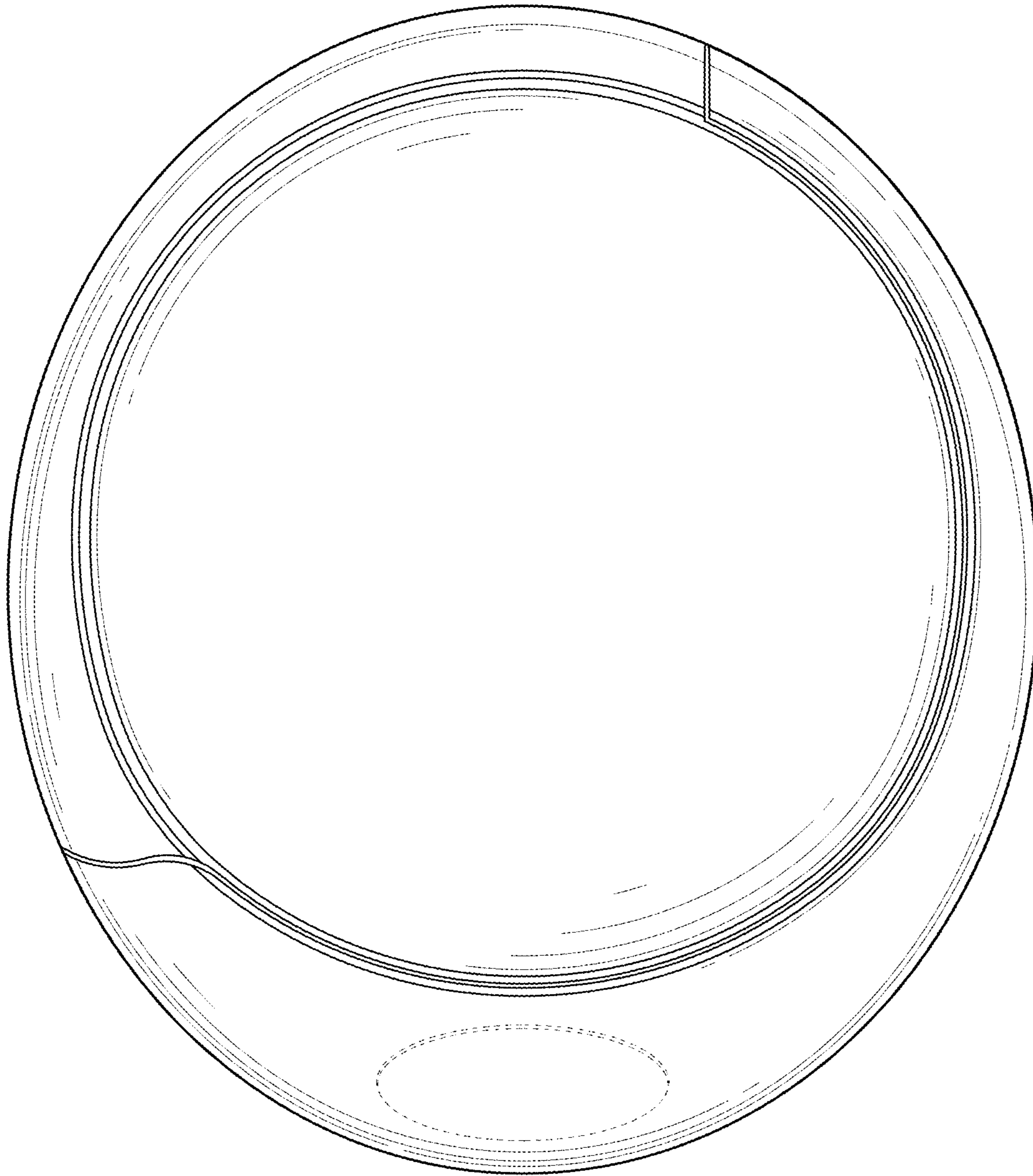


FIG. 3

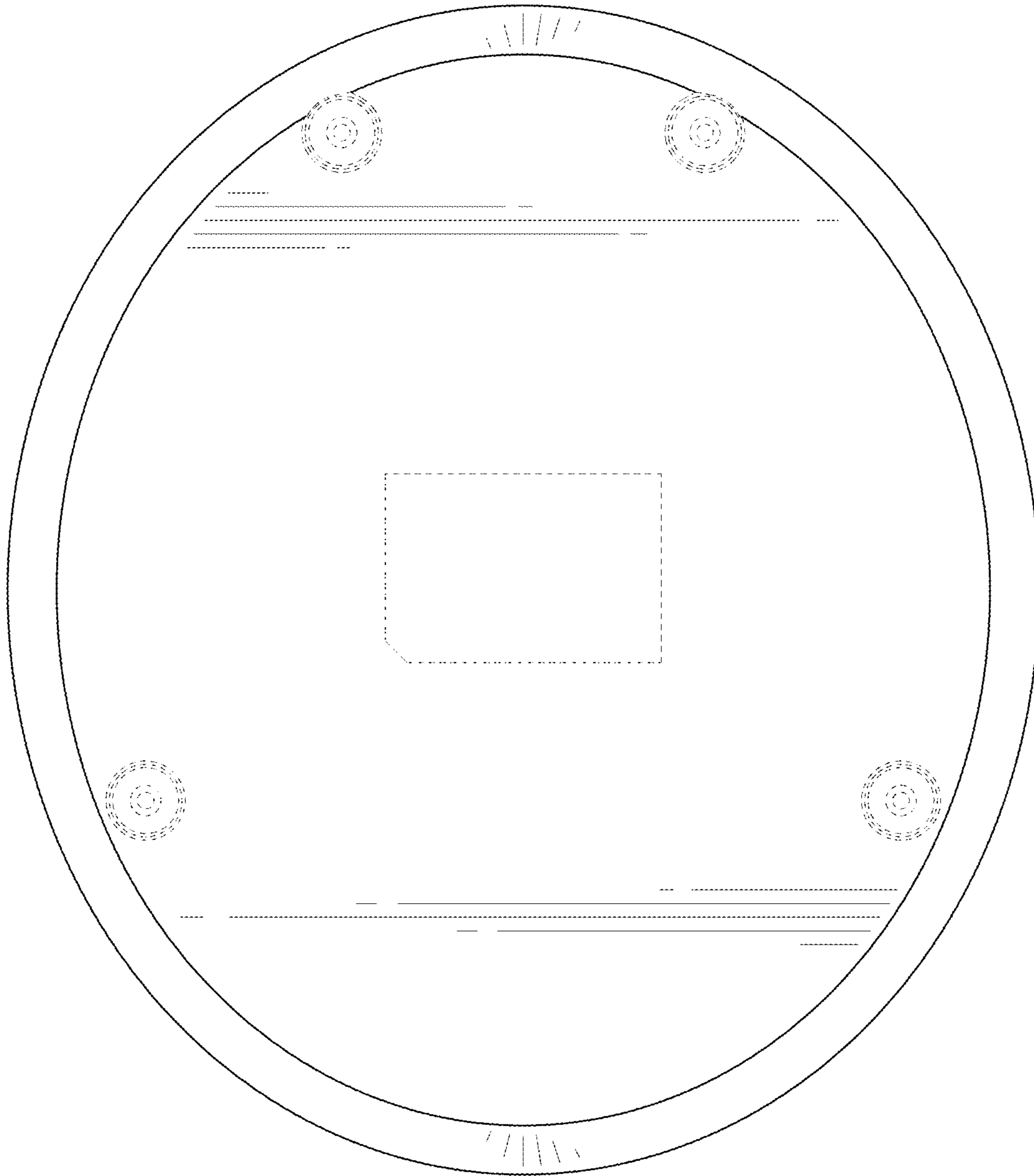


FIG. 4

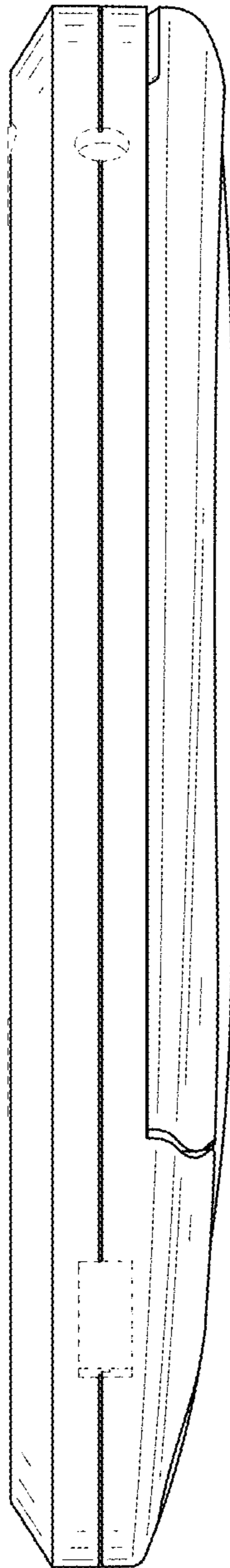


FIG. 5

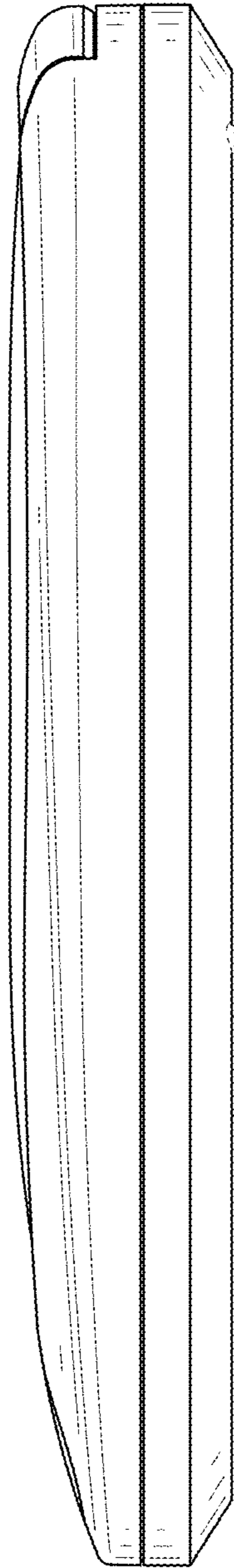


FIG. 6

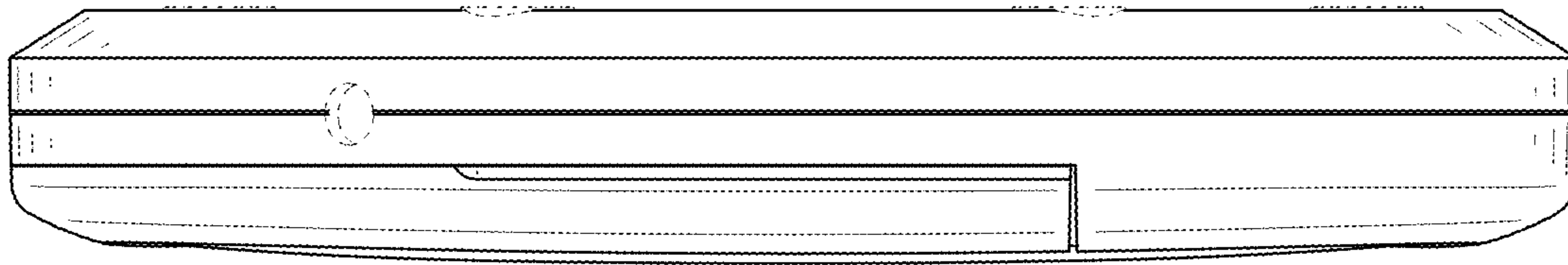


FIG. 7

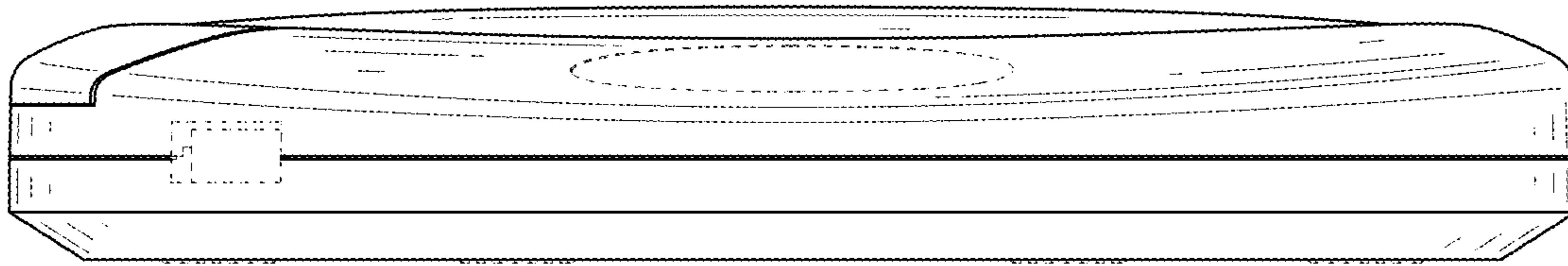


FIG. 8