



US00D878407S

(12) **United States Design Patent**
Miriyala et al.

(10) **Patent No.:** **US D878,407 S**
(45) **Date of Patent:** **** Mar. 17, 2020**

(54) **DISPLAY SCREEN OR PORTION THEREOF WITH ANIMATED GRAPHICAL USER INTERFACE**

FOREIGN PATENT DOCUMENTS

WO 2013/184846 A1 12/2013

(71) Applicant: **Juniper Networks, Inc.**, Sunnyvale, CA (US)

OTHER PUBLICATIONS

U.S. Appl. No. 15/476,136, by Juniper Networks, Inc. (Inventors: Mehta et al.), filed Mar. 31, 2017.

(72) Inventors: **Prasad Miriyala**, San Jose, CA (US);
Anish Mehta, Fremont, CA (US)

(Continued)

(73) Assignee: **Juniper Networks, Inc.**, Sunnyvale, CA (US)

Primary Examiner — Darlington Ly
Assistant Examiner — Katherine A Holbrow

(**) Term: **15 Years**

(74) *Attorney, Agent, or Firm* — Shumaker & Sieffert, P.A.

(21) Appl. No.: **29/654,955**

(57) **CLAIM**

The ornamental design for a display screen or portion thereof with animated graphical user interface, as shown and described.

(22) Filed: **Jun. 28, 2018**

(51) **LOC (12) Cl.** **14-04**

DESCRIPTION

(52) **U.S. Cl.**

USPC **D14/486**; D14/488

(58) **Field of Classification Search**

USPC D14/485–495

See application file for complete search history.

(56) **References Cited**

U.S. PATENT DOCUMENTS

D614,192 S *	4/2010	Takano	D14/486
8,416,198 B2 *	4/2013	Rathnam	G06F 3/03547
				345/156
D697,080 S *	1/2014	Scholz	D14/489
D699,251 S *	2/2014	Rao	D14/486
D733,167 S *	6/2015	Schoger	D14/486
D743,412 S *	11/2015	Danielyan	D14/485
D743,423 S *	11/2015	Danielyan	D14/486
D786,273 S *	5/2017	Herman	D14/485
9,641,435 B1	5/2017	Sivaramakrishnan		
D806,120 S *	12/2017	Elatta	D14/490
D813,884 S *	3/2018	Penker	D14/485

(Continued)

The patent or application file contains a least one drawing executed in color. Copies of this patent or patent application publication with color drawing(s) will be provided by the Office upon request and payment of the necessary fee.

FIG. 1 is a front view of a first image in a sequence for a display screen or portion thereof with animated graphical user interface;

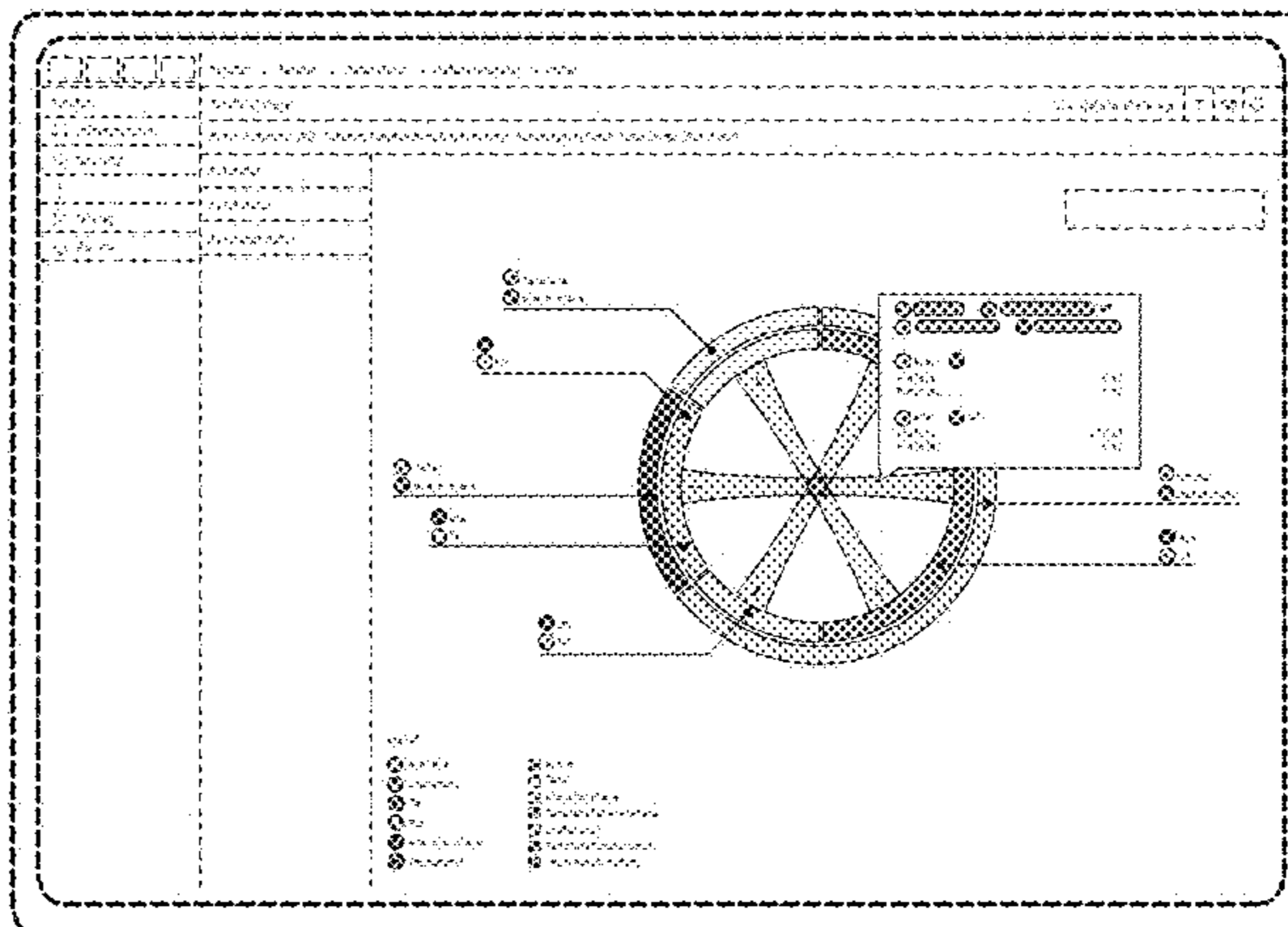
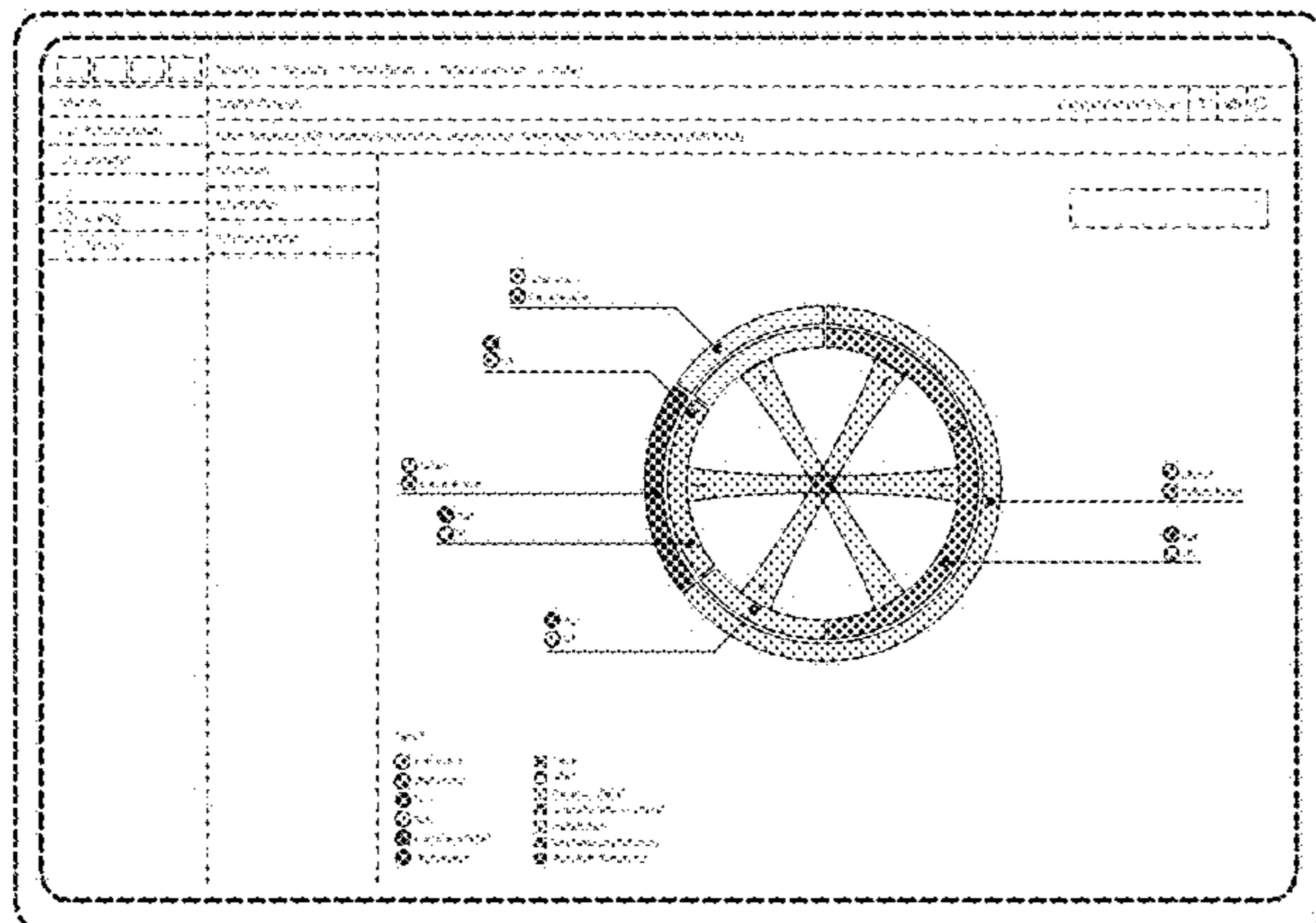
FIG. 2 is a second image thereof; and,

FIG. 3 is a third image thereof.

The outermost broken lines in the figures illustrate a display screen or a portion thereof, and form no part of the claimed design. All other broken lines show portions of the graphical user interface and form no part of the claimed design.

The appearance of the transitional image sequentially transitions between the images shown in FIGS. 1-3. The process or period in which one image transitions to another image forms no part of the claimed design.

1 Claim, 3 Drawing Sheets
(3 of 3 Drawing Sheet(s) Filed in Color)



(56)

References Cited

U.S. PATENT DOCUMENTS

10,042,920 B2 * 8/2018 Herman G06F 16/3328
D838,734 S * 1/2019 Kruse D14/486
D852,821 S * 7/2019 Anderson D14/485
D854,561 S * 7/2019 Field D14/486
D858,540 S * 9/2019 Lian D14/485
2013/0019175 A1 * 1/2013 Kotler G06F 3/0482
715/728
2016/0299061 A1 * 10/2016 Goldring G01J 3/0275

OTHER PUBLICATIONS

U.S. Appl. No. 15/583,714, by Juniper Networks, Inc. (Inventors: Sivaramakrishnan), filed May 1, 2017.

Hopps, "Analysis of an Equal-Cost Multi-Path Algorithm," RFC 2992, Network Working Group, Nov. 2000, 8 pp.

"IEEE Standard for Local and Metropolitan Area Networks, IEEE Std 802.1ag™-2007—Virtual Bridged Local Area Networks—Amendment 5: Connectivity Fault Management," IEEE Computer Society, LAN/MAN Standards Committee, Dec. 7, 2007, 260 pp.

U.S. Appl. No. 15/819,522, by Juniper Networks, Inc. (Inventors: Miriyala et al.), filed Nov. 21, 2017.

Sajassi et al., "BGP MPLS-Based Ethernet VPN," RFC 7432, Internet Engineering Task Force (IETF), Feb. 2015, 66 pp.

U.S. Appl. No. 16/022,464, by Juniper Networks, Inc. (Inventors: Miriyala et al.), filed Jun. 28, 2018.

"Series Y: Global Information Infrastructure, Internet Protocol Aspects and Next-Generation Networks, Internet protocol aspects—Operation, administration and maintenance," Y.1731, ITU-T Telecommunication Standardization Sector of ITU, May 2006, 80 pp.

* cited by examiner

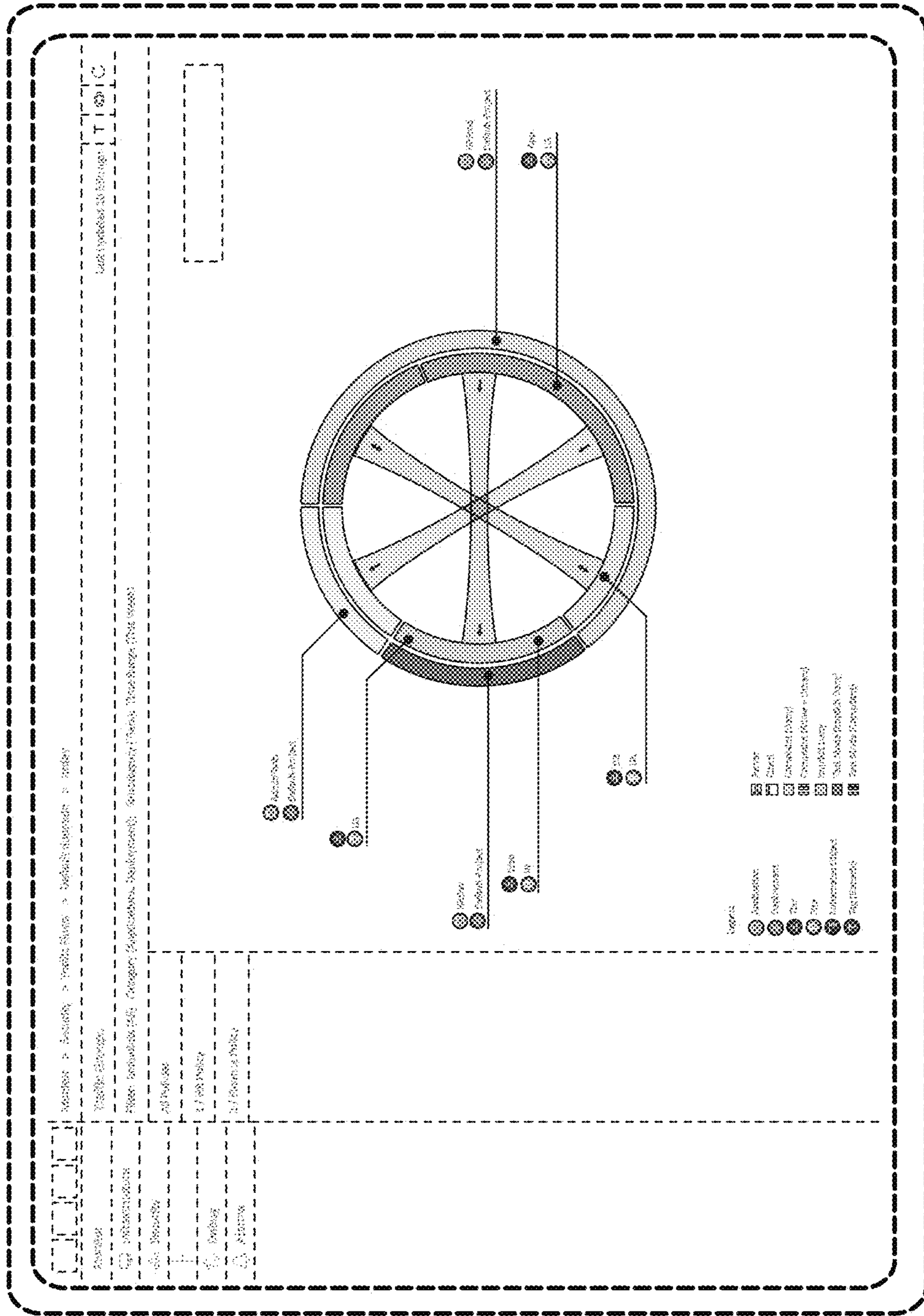


FIG. 1

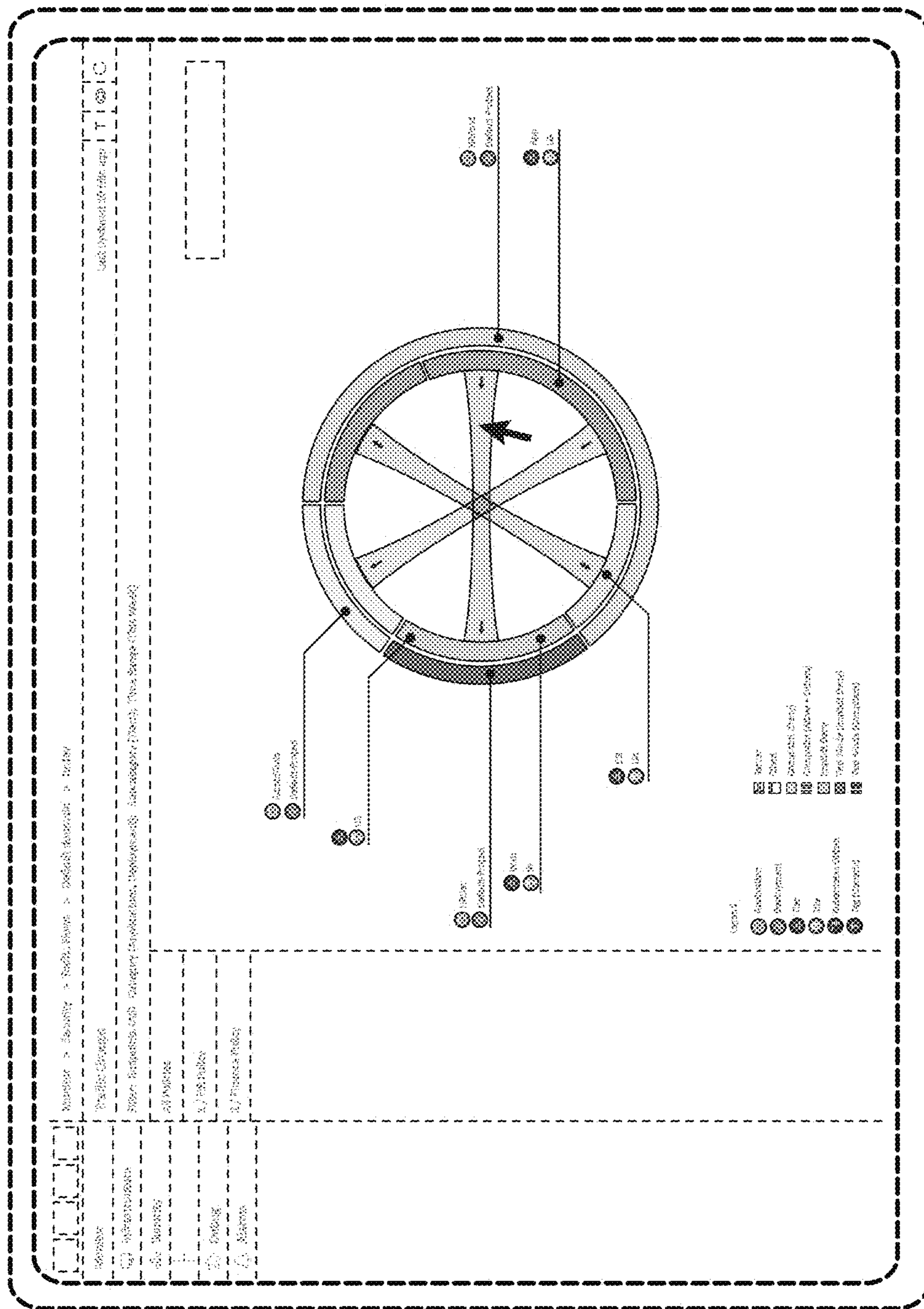


FIG. 2

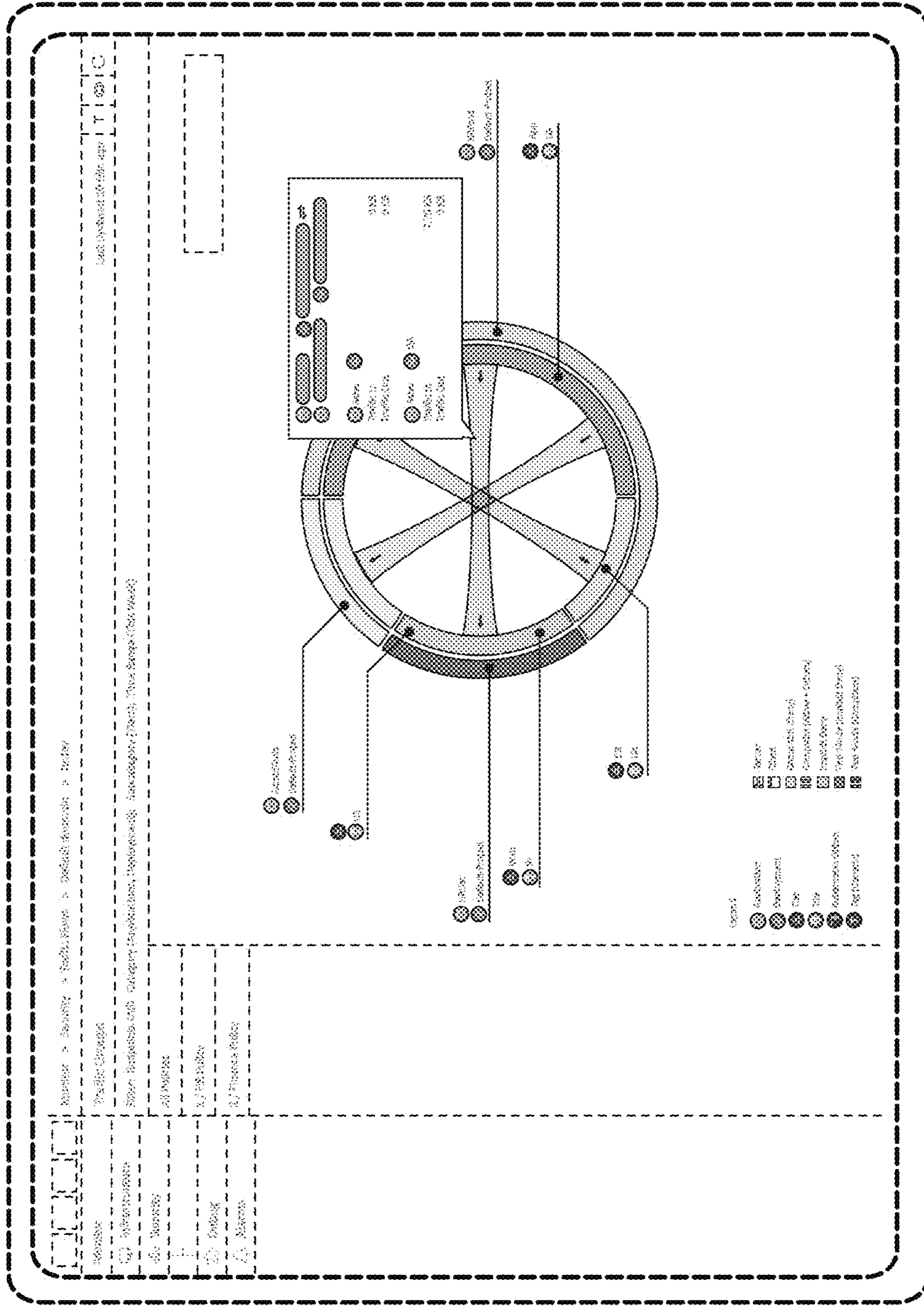


FIG. 3