

US00D878391S

(12) **United States Design Patent**
Zeng et al.

(10) **Patent No.:** **US D878,391 S**
(45) **Date of Patent:** **** Mar. 17, 2020**

- (54) **SMART WATCH DISPLAY SCREEN WITH GRAPHICAL USER INTERFACE**
- (71) Applicant: **BEIJING SOGOU TECHNOLOGY DEVELOPMENT CO., LTD.**, Beijing (CN)
- (72) Inventors: **Beiwen Zeng**, Beijing (CN); **Ying Wang**, Beijing (CN); **Jiantao Li**, Beijing (CN)
- (73) Assignee: **BEIJING SOGOU TECHNOLOGY DEVELOPMENT CO., LTD.**, Beijing (CN)

7,890,881 B1 * 2/2011 Skidgel G06F 17/212
715/243
D656,946 S * 4/2012 Judy D14/486
D662,507 S * 6/2012 Mori D14/486
D699,734 S * 2/2014 Shia D14/486
D714,339 S * 9/2014 Hendrickson D14/487

(Continued)

Primary Examiner — Daniel J Domino
(74) *Attorney, Agent, or Firm* — Bayramoglu Law Offices LLC

- (**) Term: **15 Years**
- (21) Appl. No.: **29/624,900**
- (22) Filed: **Nov. 6, 2017**

(57) **CLAIM**
The ornamental design for a smart watch display screen with graphical user interface, as shown and described.

- (30) **Foreign Application Priority Data**
May 8, 2017 (CN) 2017 3 0165376
- (51) **LOC (12) Cl.** **14-04**
- (52) **U.S. Cl.**
USPC **D14/485**
- (58) **Field of Classification Search**
USPC D14/485–495
CPC G06F 3/048; G06F 3/0481; G06F 3/0482;
G06F 3/04842; G06F 3/04847; G06F 3/0485; G06F 1/1692; G06F 2203/04806
See application file for complete search history.

DESCRIPTION

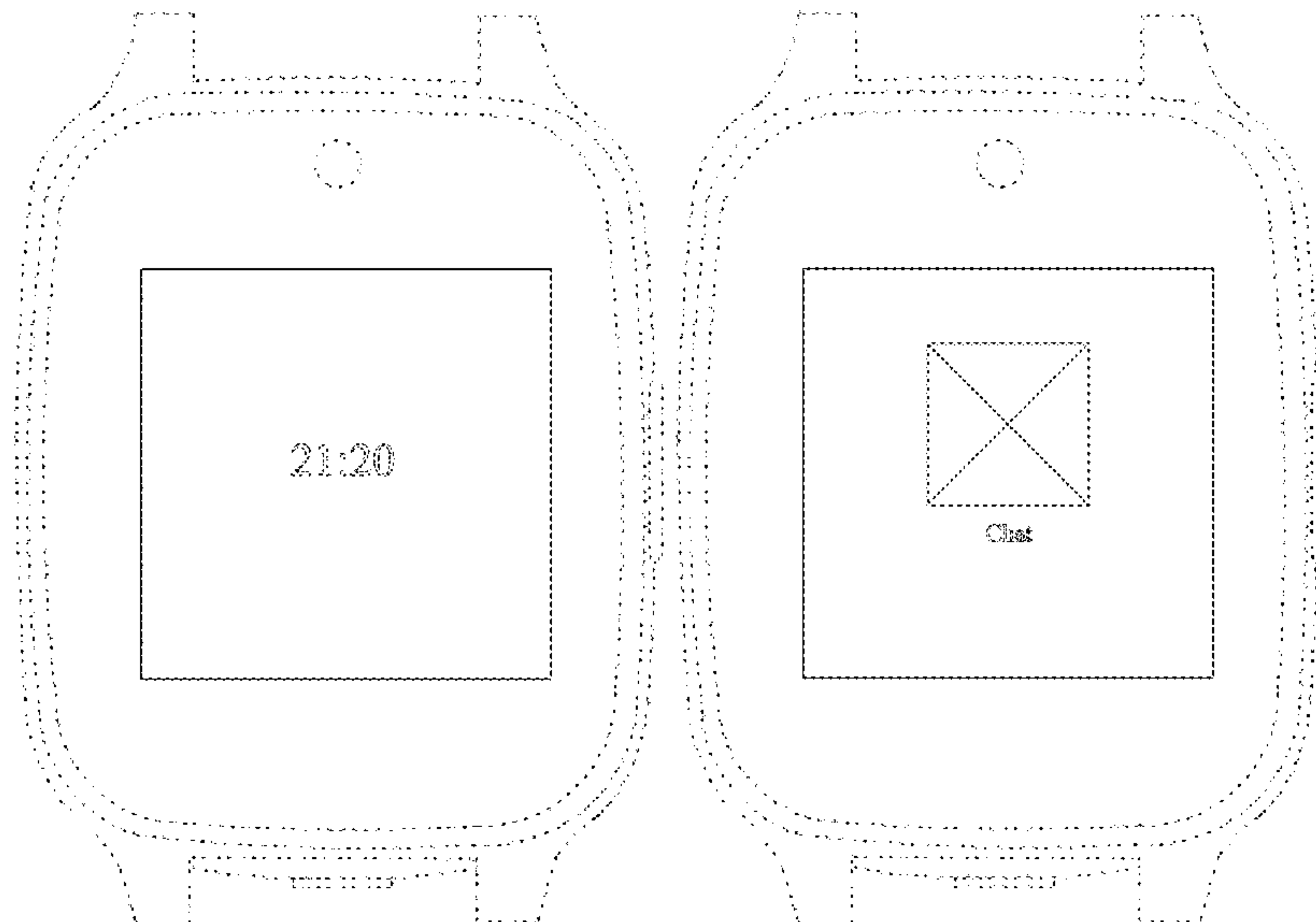
FIG. 1 is a front view of a first image in a sequence for a smart watch display screen with graphical user interface; FIG. 2 is a second image thereof; FIG. 3 is a third image thereof; FIG. 4 is a fourth image thereof; FIG. 5 is a fifth image thereof; FIG. 6 is a sixth image thereof; FIG. 7 is a seventh image thereof; FIG. 8 is an eighth image thereof; FIG. 9 is a ninth image thereof; FIG. 10 is a tenth image thereof; FIG. 11 is an eleventh image thereof; and, FIG. 12 is a twelfth image thereof.

The subject matter in this patent application includes a process or period in which the appearance of the graphical user interface transitions sequentially between the images shown in FIGS. 1-12. This process or period forms no part of the claimed design.

The broken lines showing a smart watch illustrate environmental subject matter, whereas the broken lines showing elements of the graphical user interface illustrate portions of the article. None of the broken lines form part of the claimed design.

- (56) **References Cited**
U.S. PATENT DOCUMENTS
D403,313 S * 12/1998 Peppel D14/486
D602,029 S * 10/2009 Lloyd D14/485
D607,466 S * 1/2010 Prater D14/486
D607,894 S * 1/2010 Prater D14/486
D625,322 S * 10/2010 Guntaur D14/486

1 Claim, 12 Drawing Sheets



(56)

References Cited

U.S. PATENT DOCUMENTS

D720,765 S *	1/2015	Xie	D14/486	D818,475 S *	5/2018	Yepez	D14/485
D737,306 S *	8/2015	Scazafavo	D14/486	D819,657 S *	6/2018	Muller	D14/485
D746,845 S *	1/2016	Archer	D14/486	D820,288 S *	6/2018	Howell	D14/486
D748,126 S *	1/2016	Sarukkai	D14/486	D820,879 S *	6/2018	Jones	D14/488
D762,232 S *	7/2016	Howard	D14/486	D822,034 S *	7/2018	Clymer	D14/485
D763,293 S *	8/2016	Lee	D14/486	D822,035 S *	7/2018	Wu	D14/485
D765,110 S *	8/2016	Liang	D14/486	D822,050 S *	7/2018	Gandhi	D14/486
D766,286 S *	9/2016	Lee	D14/486	D822,678 S *	7/2018	Wu	D14/485
D770,507 S *	11/2016	Umezawa	D14/486	D823,860 S *	7/2018	Wiffen	D14/485
D771,692 S *	11/2016	Rodriguez	D14/486	D830,382 S *	10/2018	Marohn	D14/486
D773,478 S *	12/2016	Wesley	D14/485	D833,461 S *	11/2018	Dieken	D14/485
D779,514 S *	2/2017	Baris	D14/486	D834,053 S *	11/2018	Wang	D14/486
D781,325 S *	3/2017	Perry	D14/486	D835,631 S *	12/2018	Yepez	D14/485
D785,009 S *	4/2017	Lim	D14/485	D835,663 S *	12/2018	Ho	D14/487
D787,529 S *	5/2017	Huang	D14/485	D836,652 S *	12/2018	Fowler	D14/486
D791,151 S *	7/2017	Noack	D14/486	D837,240 S *	1/2019	Van Tricht	D14/486
D792,432 S *	7/2017	Hoang	D14/486	D839,301 S *	1/2019	Baber	D14/488
D792,443 S *	7/2017	Hoang	D14/487	D840,421 S *	2/2019	Chalker	D14/485
D800,748 S *	10/2017	Jungmann	D14/486	D841,030 S *	2/2019	Bradley-Pollack	D14/486
D801,989 S *	11/2017	Iketsuki	D14/485	D842,313 S *	3/2019	Kagan	D14/485
D804,493 S *	12/2017	Daniel	H04L 51/046 D14/485	D842,314 S *	3/2019	Govindan Sankar Selvan	D14/485
D806,101 S *	12/2017	Frick	D14/486	D843,387 S *	3/2019	Yuguchi	D14/485
D808,996 S *	1/2018	Ambielli	B33Y 40/00 D14/486	D844,649 S *	4/2019	Besette	D14/486
D809,530 S *	2/2018	Matheson	D14/485	D846,583 S *	4/2019	Martin	D14/486
D812,081 S *	3/2018	Saneii	D14/486	D847,165 S *	4/2019	Kolbenheyer	D14/486
D816,715 S *	5/2018	Martin	D14/492	D849,029 S *	5/2019	Cooperman	D14/486
				D850,461 S *	6/2019	Hoffman	D14/485
				D850,472 S *	6/2019	Maguire	G16H 50/80 D14/485
				D851,660 S *	6/2019	Chalker	D14/485

* cited by examiner

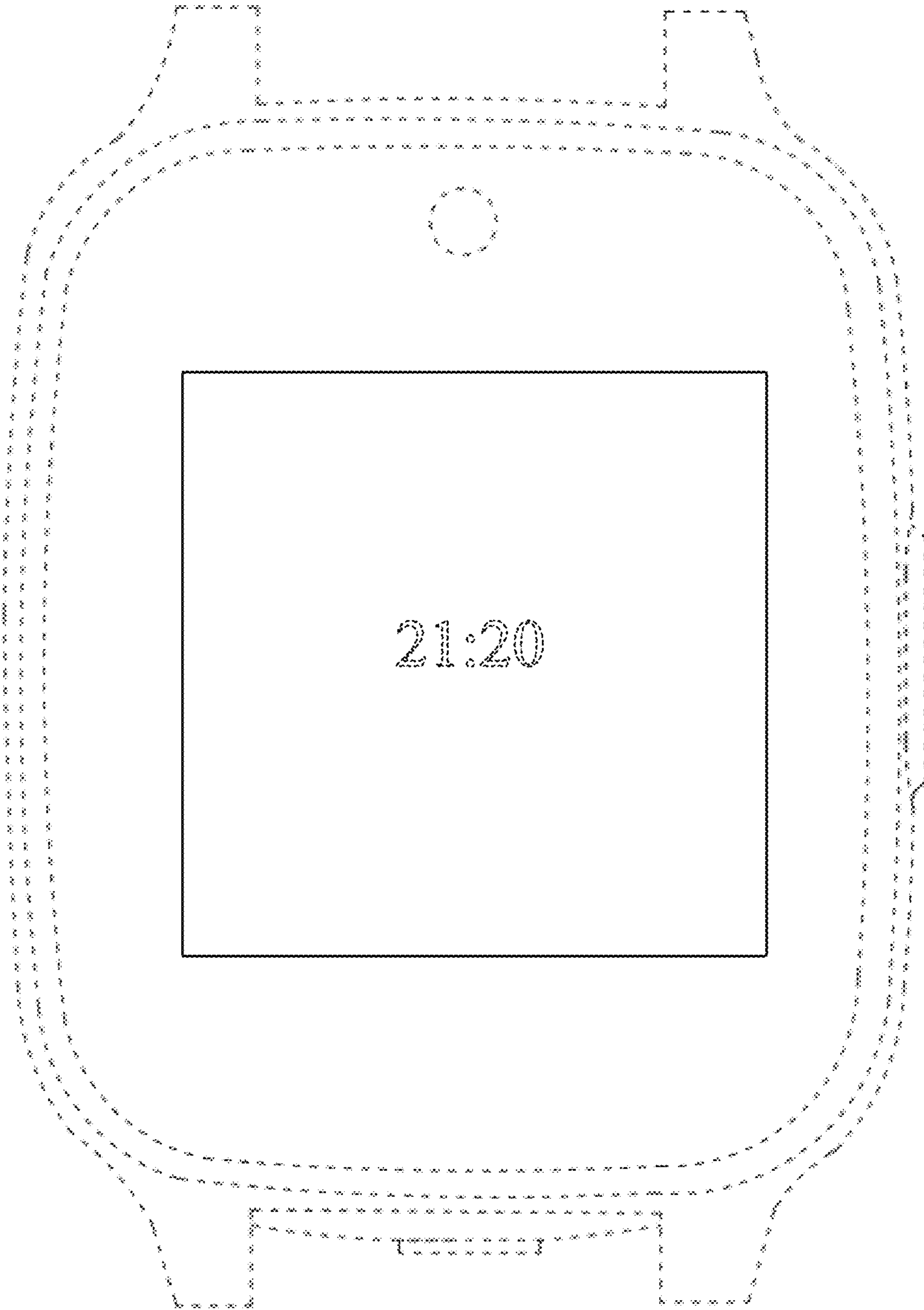


FIG. 1

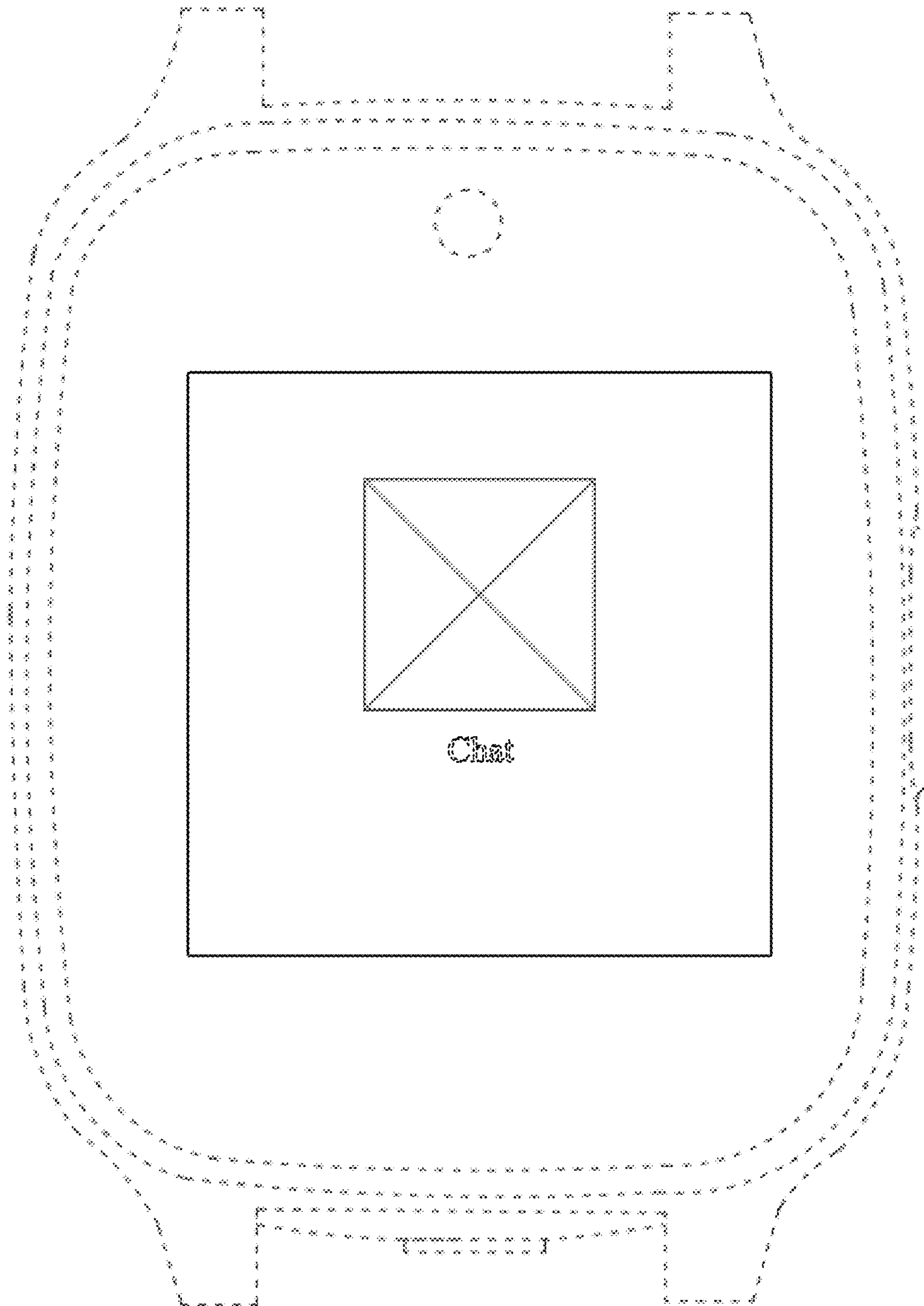


FIG. 2

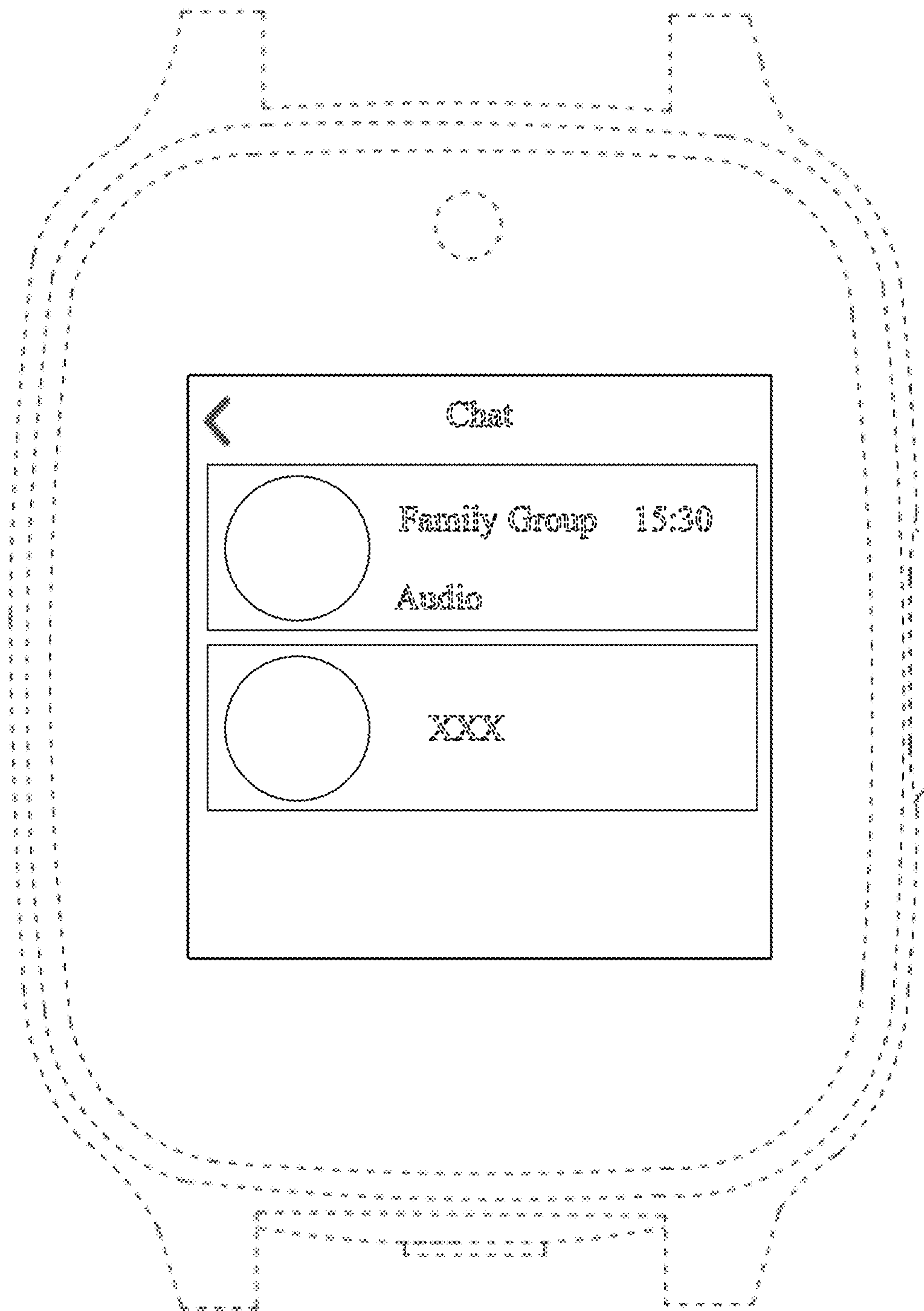


FIG. 3

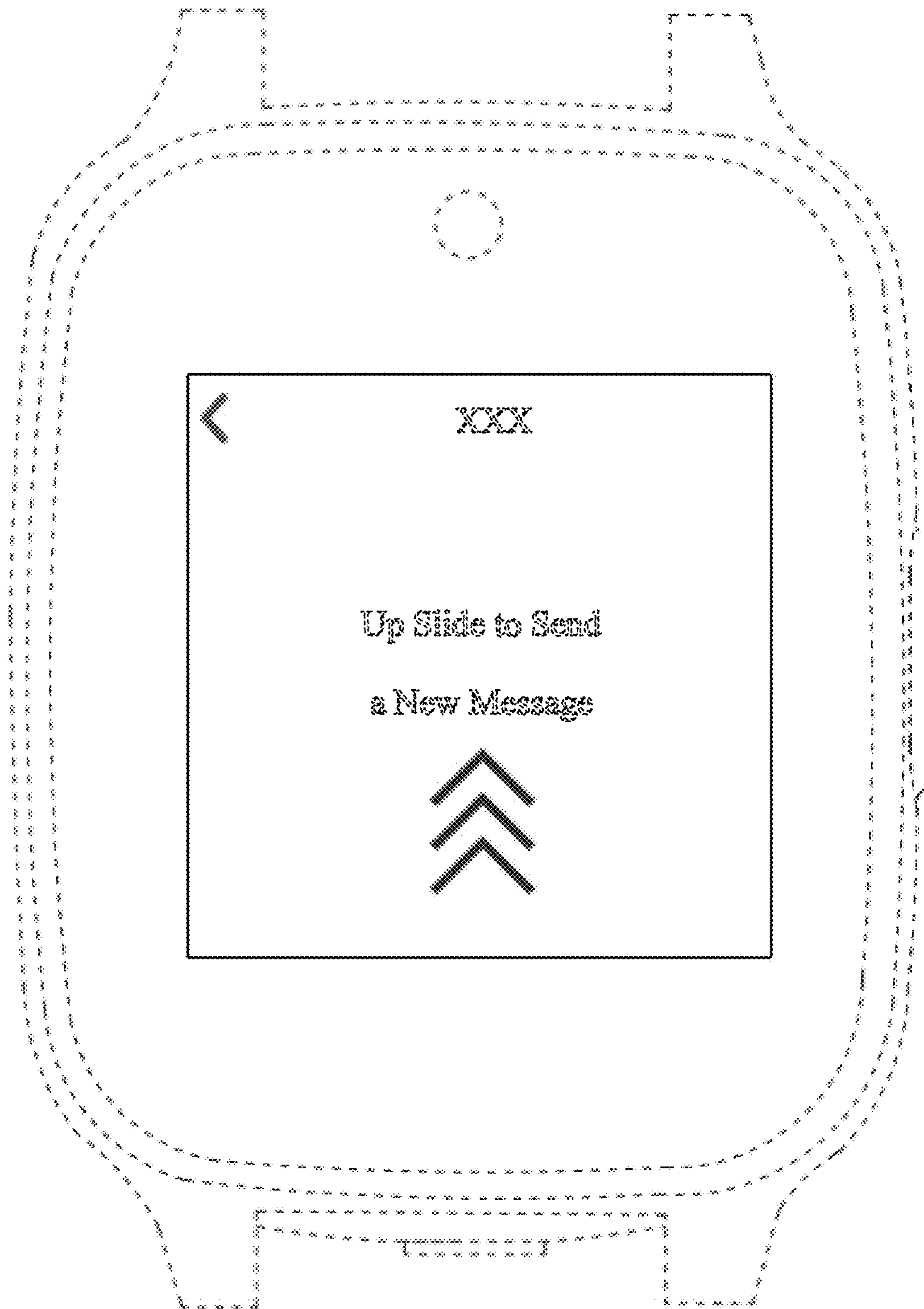


FIG. 4

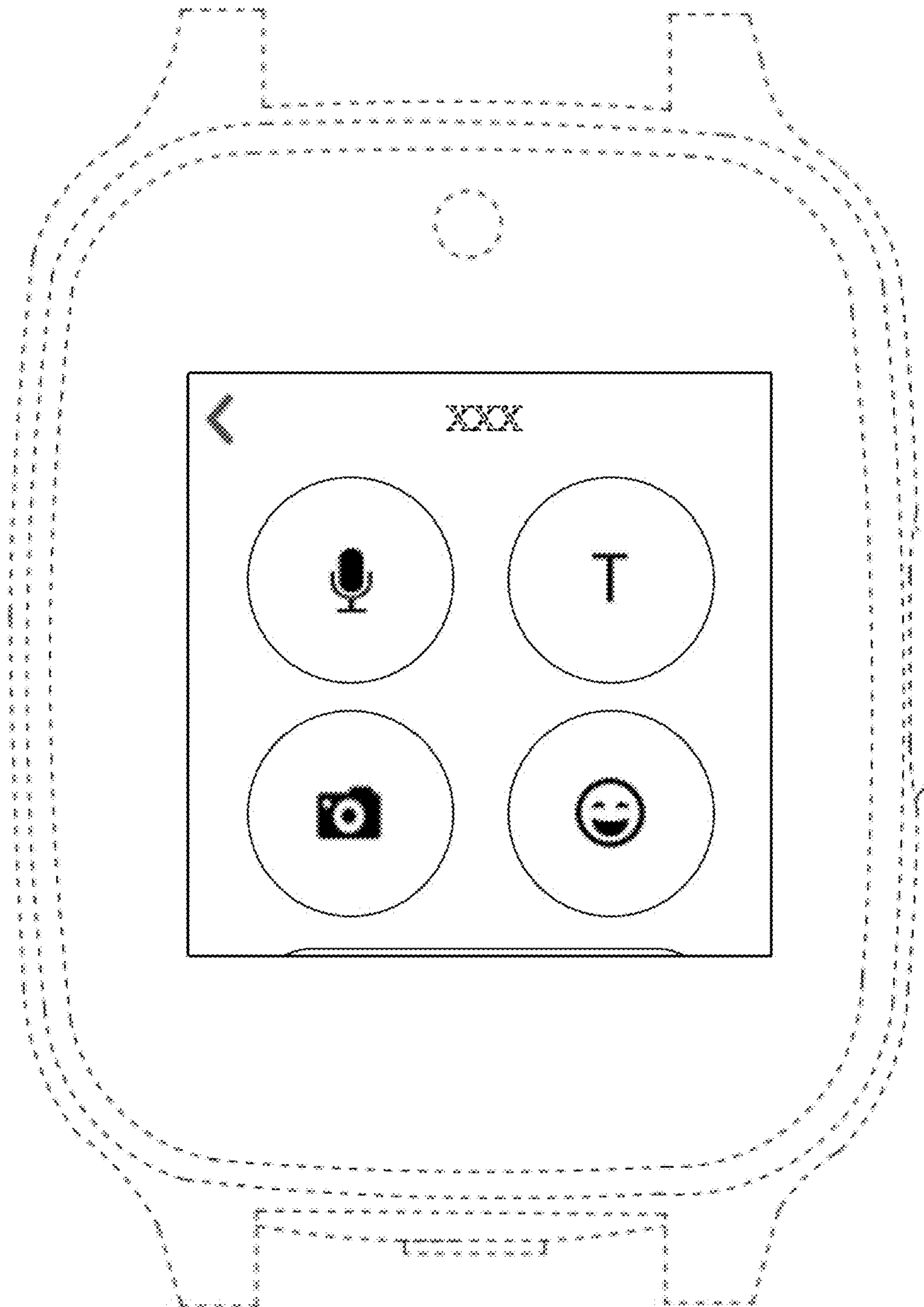


FIG. 5

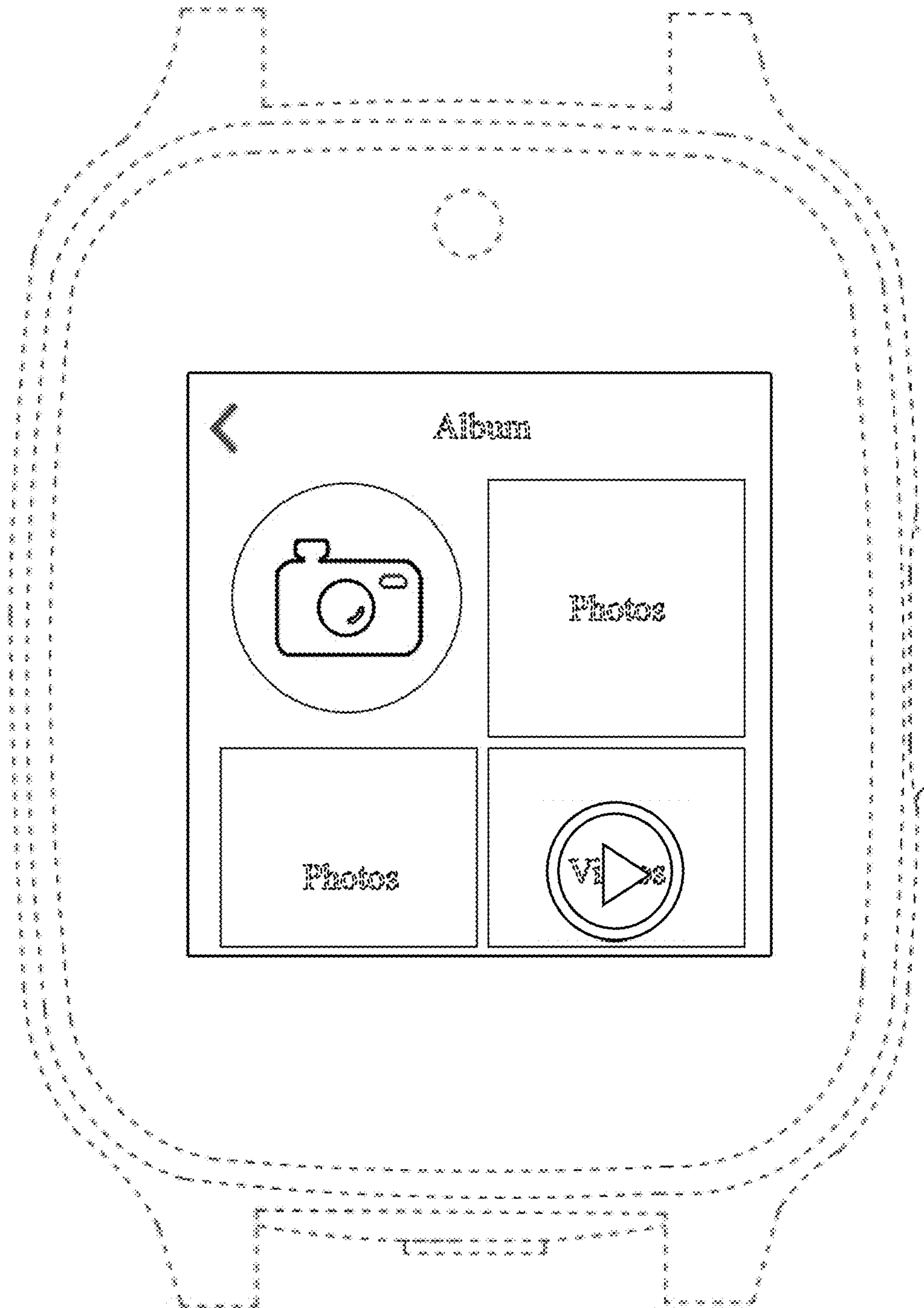


FIG. 6

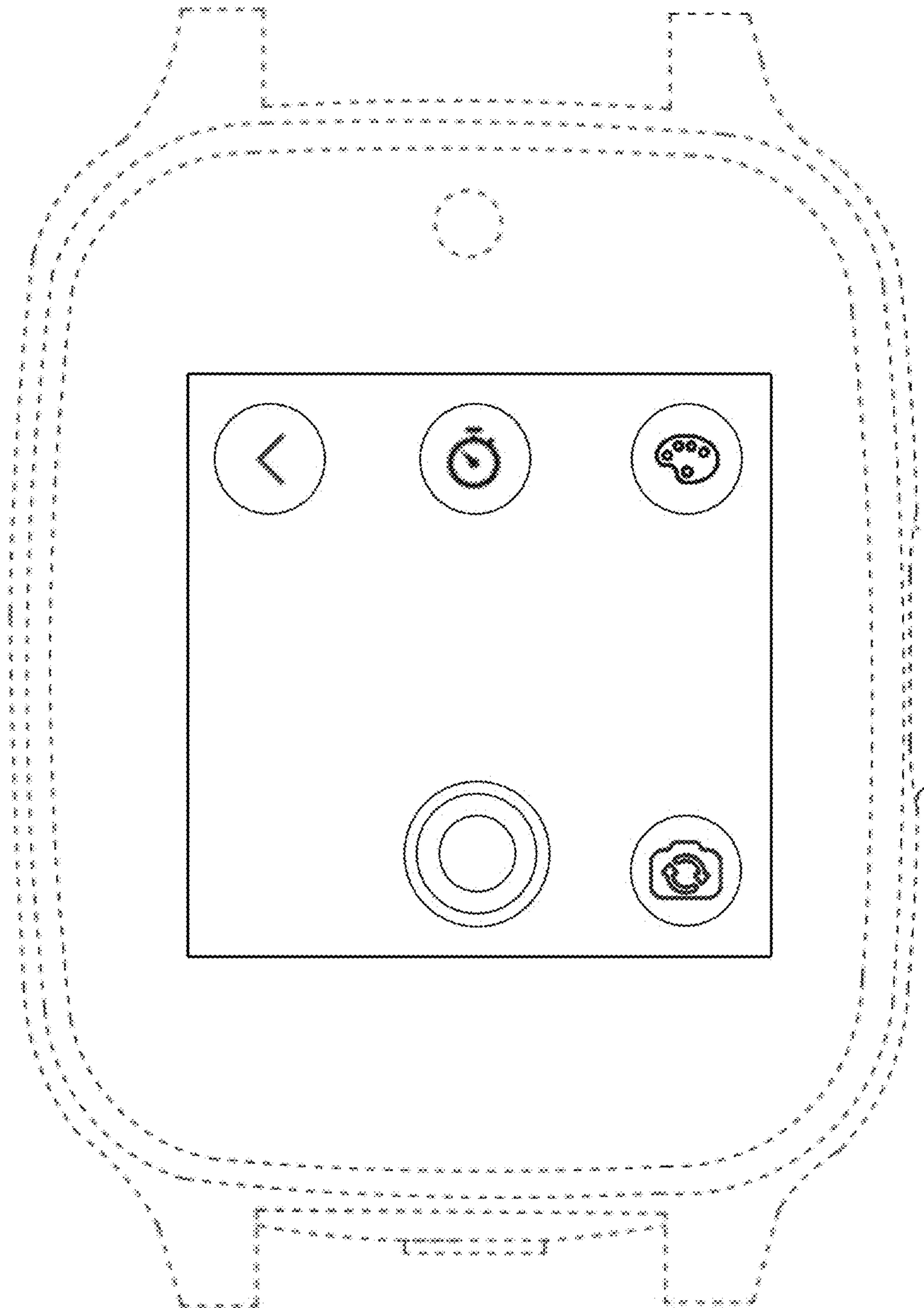


FIG. 7

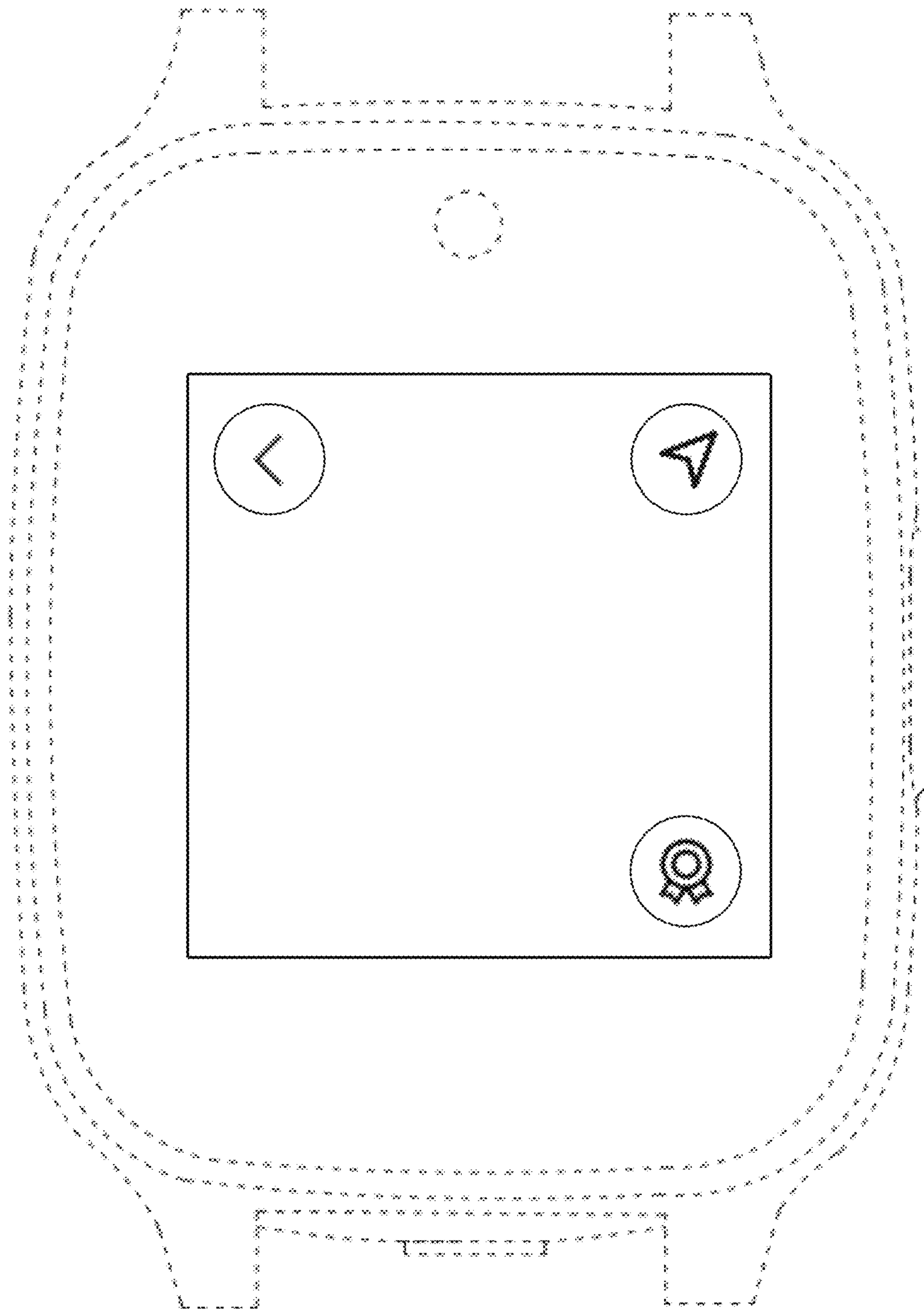


FIG. 8

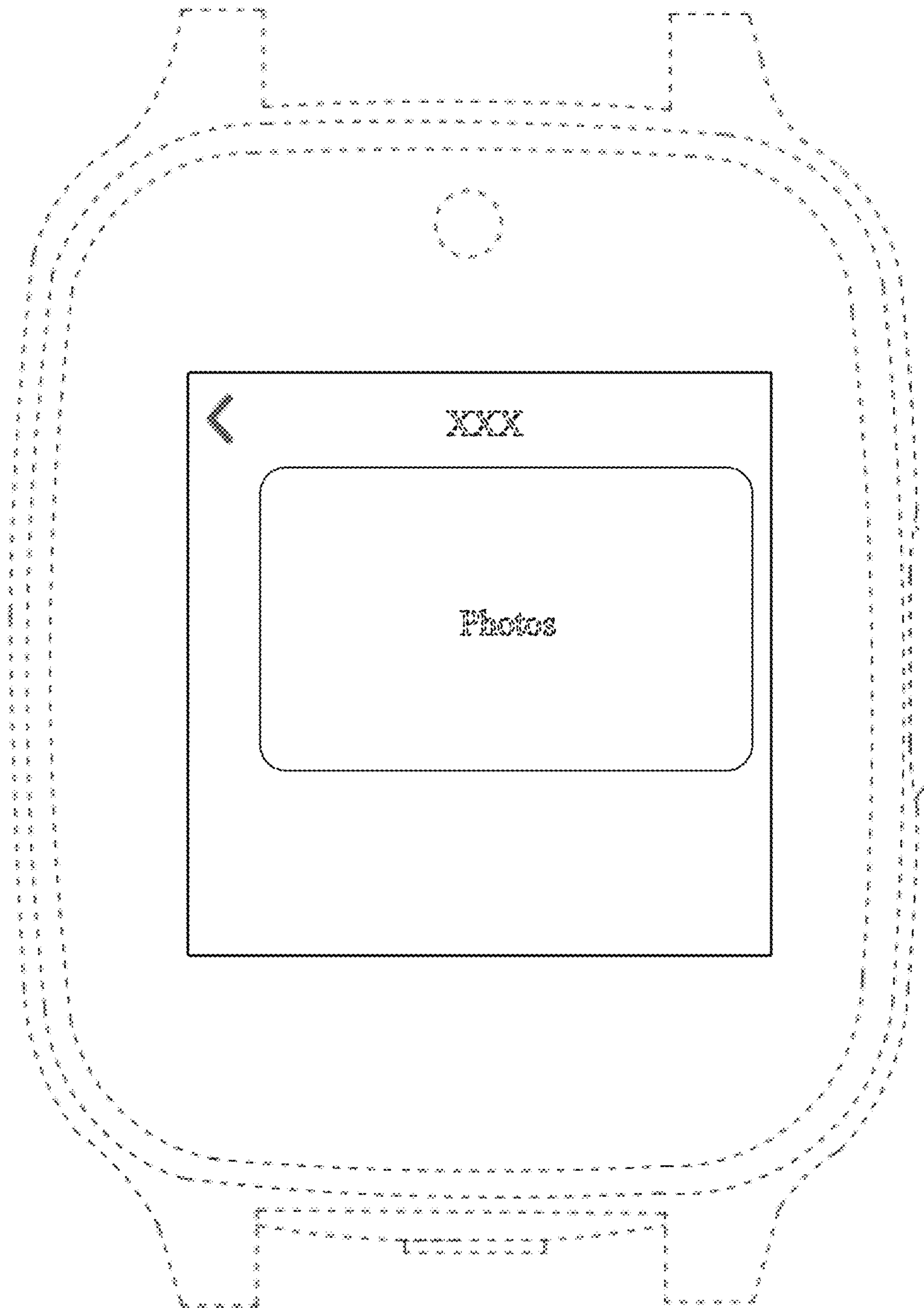


FIG. 9

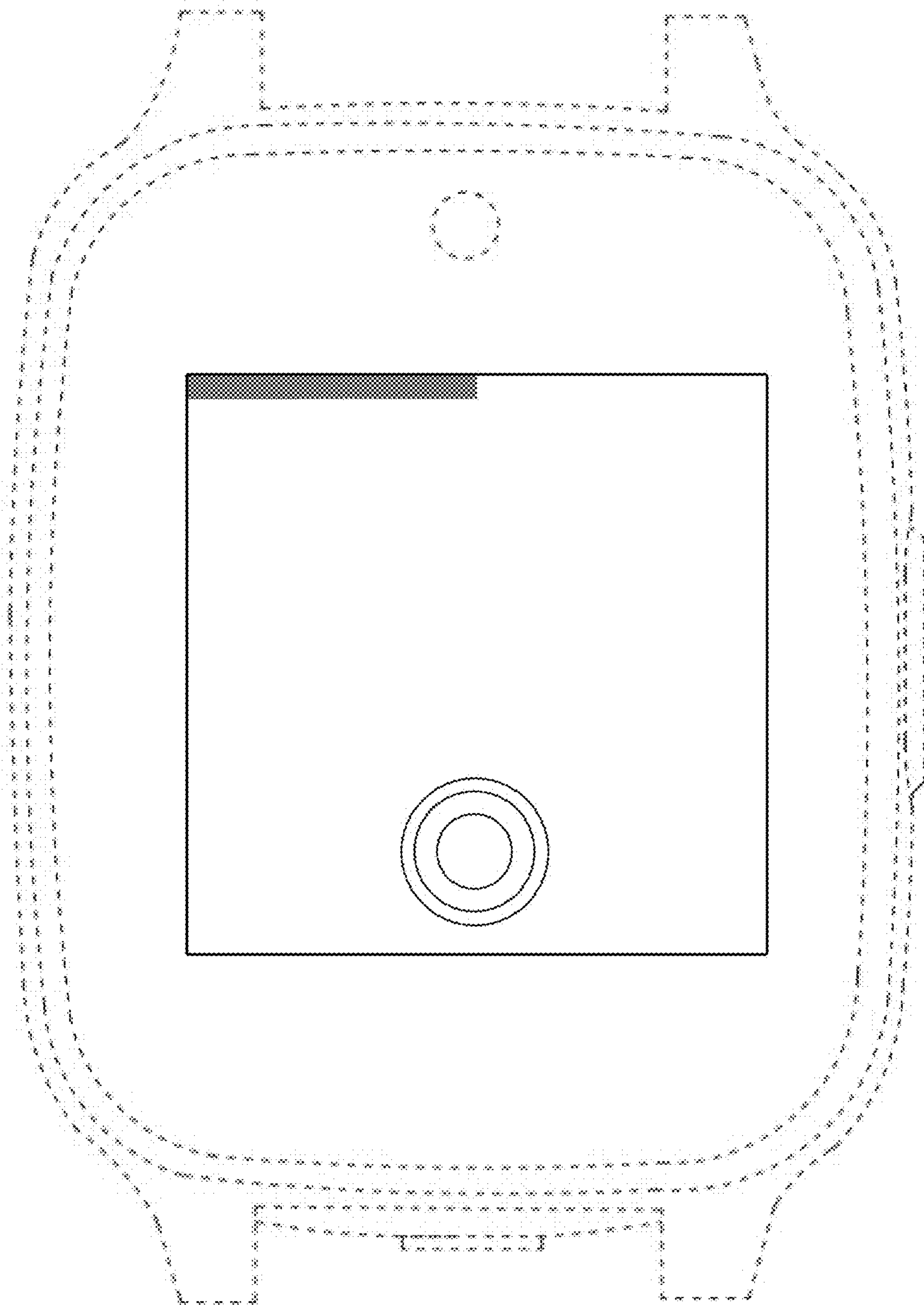


FIG. 10

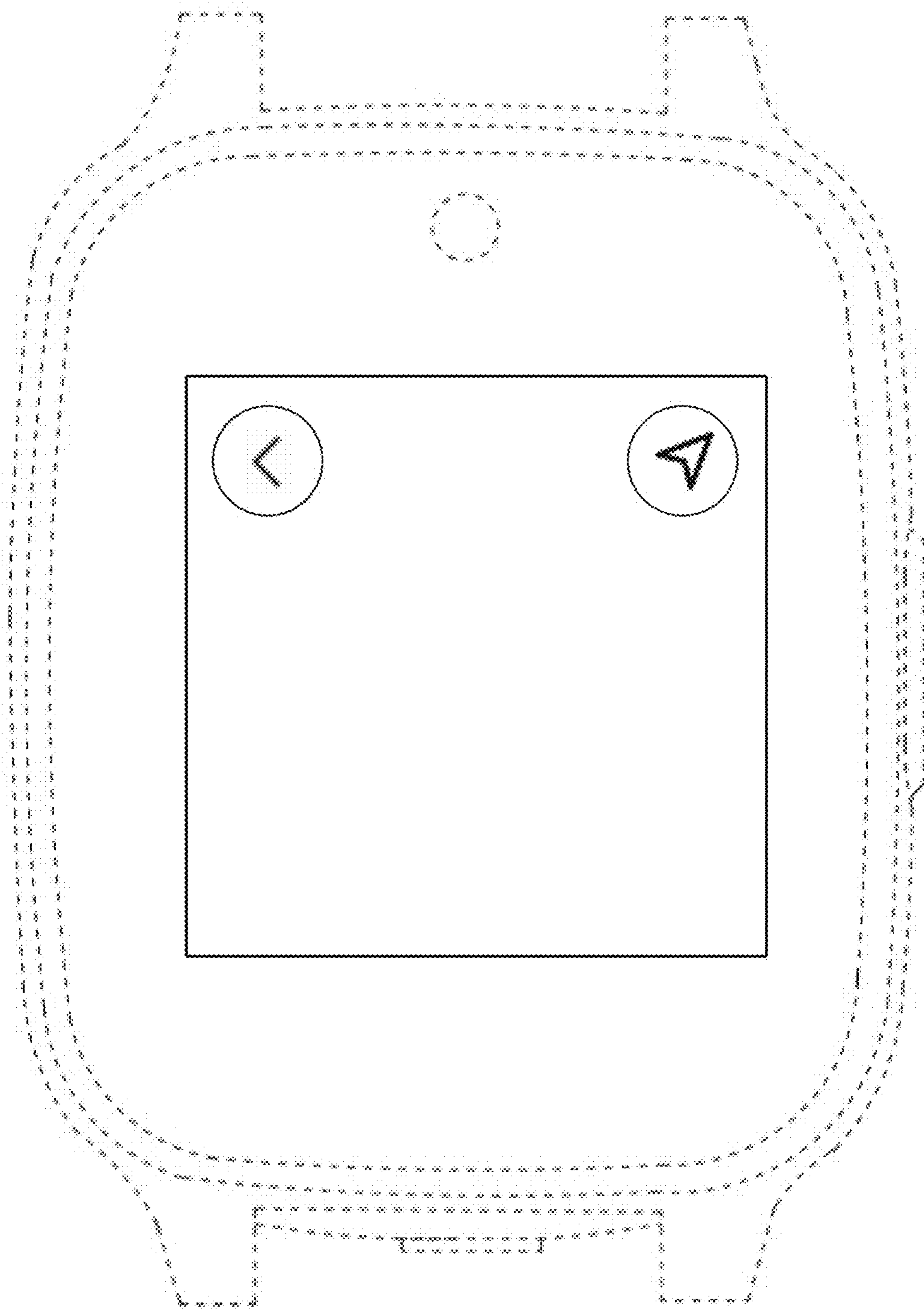


FIG. 11

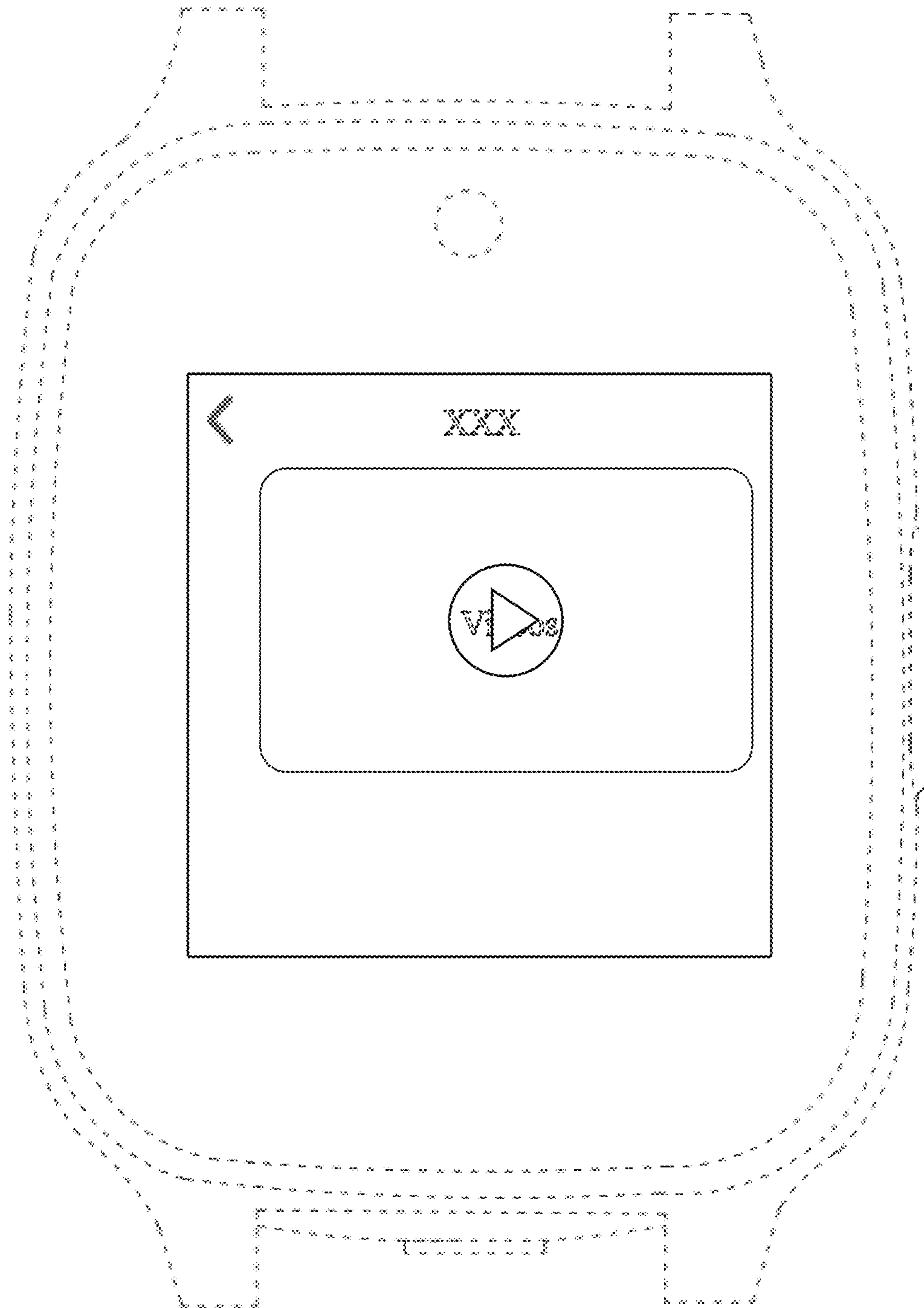


FIG. 12