



US00D878383S

(12) **United States Design Patent**  
**McEuen et al.**

(10) **Patent No.:** **US D878,383 S**  
(45) **Date of Patent:** **\*\* Mar. 17, 2020**

- (54) **ACCESSORY FOR USE WITH AN ELECTRONIC DEVICE**
- (71) Applicant: **Intel Corporation**, Santa Clara, CA (US)
- (72) Inventors: **Shawn S. McEuen**, Portland, OR (US); **Aleksander Magi**, Aloha, OR (US)
- (73) Assignee: **Intel Corporation**, Santa Clara, CA (US)
- (\*\*) Term: **15 Years**
- (21) Appl. No.: **29/604,779**
- (22) Filed: **May 19, 2017**
- (51) **LOC (12) Cl.** ..... **14-03**
- (52) **U.S. Cl.**  
USPC ..... **D14/480.5**
- (58) **Field of Classification Search**  
USPC ..... D14/480.1–480.7, 435.1, 411, 433, 436, D14/484.1, 137, 155, 203.1–203.8, 240, D14/242; D13/133, 154; D21/325, 329  
CPC ..... H05K 5/0278; H05K 19/07732  
See application file for complete search history.

(56) **References Cited**

U.S. PATENT DOCUMENTS

- D506,471 S \* 6/2005 Iikura ..... D14/480.5
- 7,004,780 B1 \* 2/2006 Wang ..... H01R 13/60  
361/752
- D542,788 S \* 5/2007 Gutmann ..... D14/480.5
- D563,954 S \* 3/2008 Buchanon ..... D14/480.7
- D587,266 S \* 2/2009 Deguchi ..... D14/480.7
- D642,585 S \* 8/2011 Lan ..... D14/480.5

- D675,630 S \* 2/2013 Ni ..... D14/480.1
- D688,255 S \* 8/2013 Daniel ..... D14/480.4
- D711,891 S \* 8/2014 Emami ..... D14/480.5
- D784,357 S \* 4/2017 Mombauer ..... D14/480.5
- 9,640,912 B1 \* 5/2017 Chen ..... H01R 13/642
- 2009/0147460 A1 \* 6/2009 Kung ..... G06K 7/0013  
361/679.31
- 2011/0312197 A1 \* 12/2011 Li ..... H05K 5/0278  
439/142

\* cited by examiner

*Primary Examiner* — Angela J Lee

(74) *Attorney, Agent, or Firm* — Hanley, Flight & Zimmerman, LLC

(57) **CLAIM**

The ornamental design for an “accessory for use with an electronic device”, as shown and described in FIGS. 1-9.

**DESCRIPTION**

FIG. 1 is a front right perspective view of a first accessory, the first accessory having a body and a cap which is removable from the body.

FIG. 2 is a front view of the first accessory of FIG. 1.

FIG. 3 is a rear view of the first accessory of FIG. 1.

FIG. 4 is a right side view of the first accessory of FIG. 1.

FIG. 5 is left side view of the first accessory of FIG. 1.

FIG. 6 is a top view of the first accessory of FIG. 1.

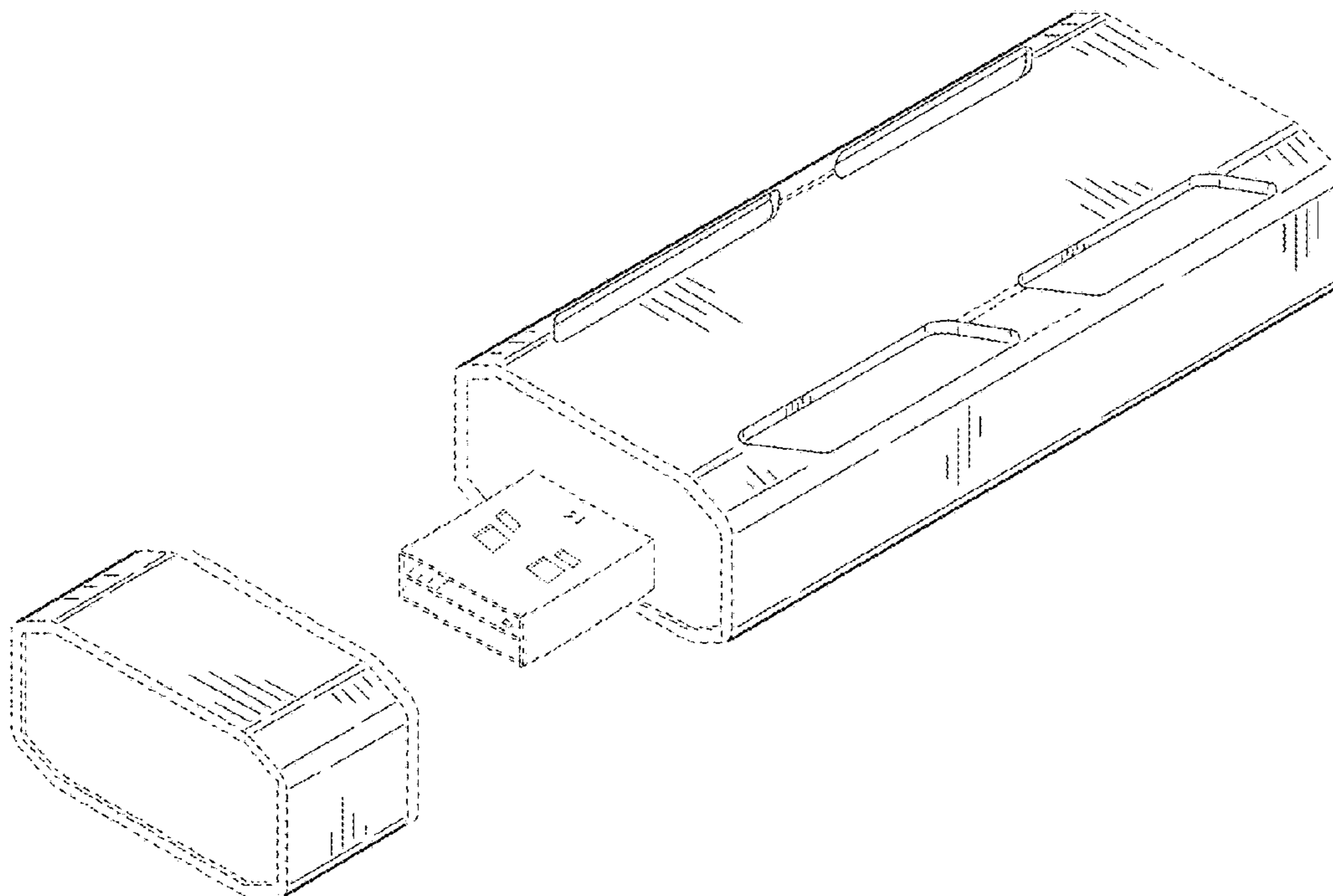
FIG. 7 is a bottom view of the first accessory of FIG. 1.

FIG. 8 is a rear left perspective view of the first accessory of FIG. 1 with the cap removed from the body; and,

FIG. 9 is a front right perspective view of the first accessory of FIG. 1 with the cap removed from the body.

The features shown in broken lines form no part of the claimed design.

**1 Claim, 5 Drawing Sheets**



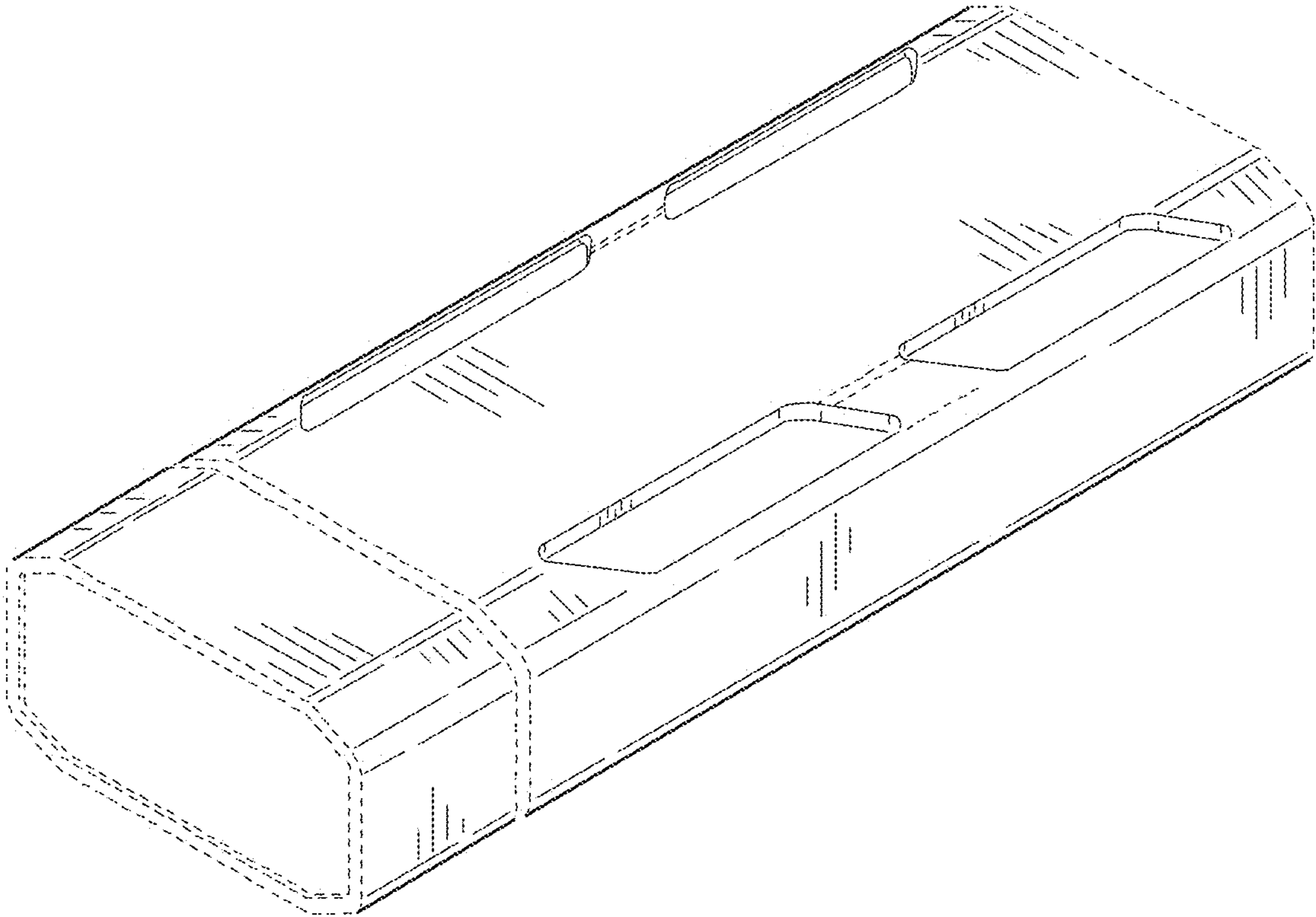


FIG. 1



FIG. 2



FIG. 3

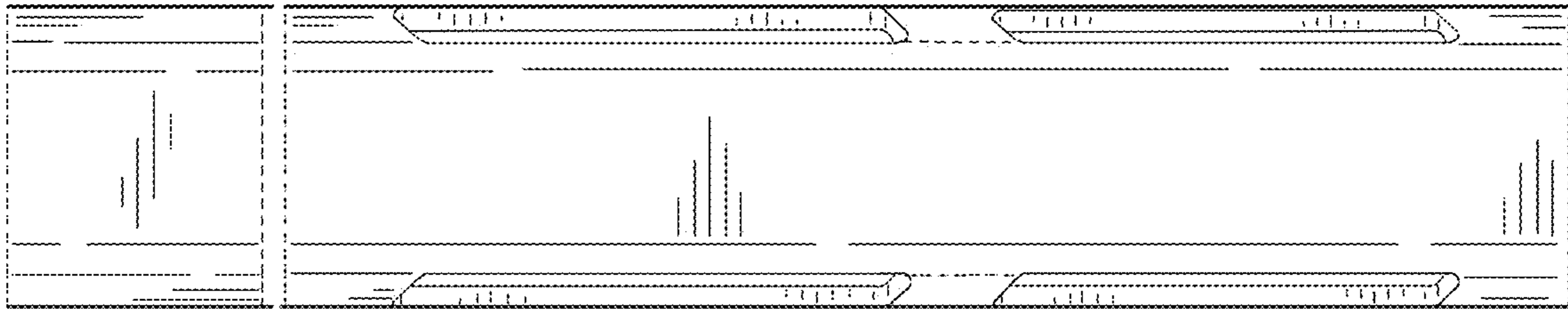


FIG. 4

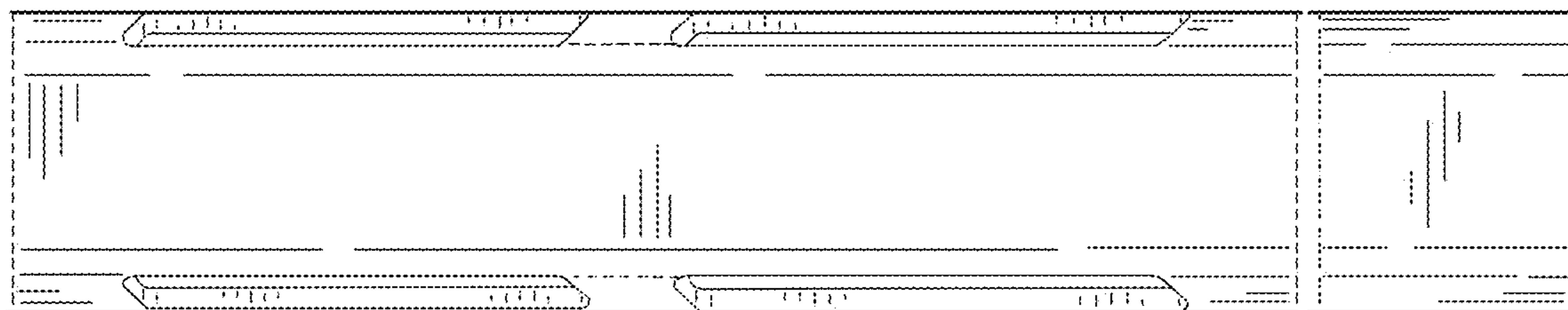


FIG. 5

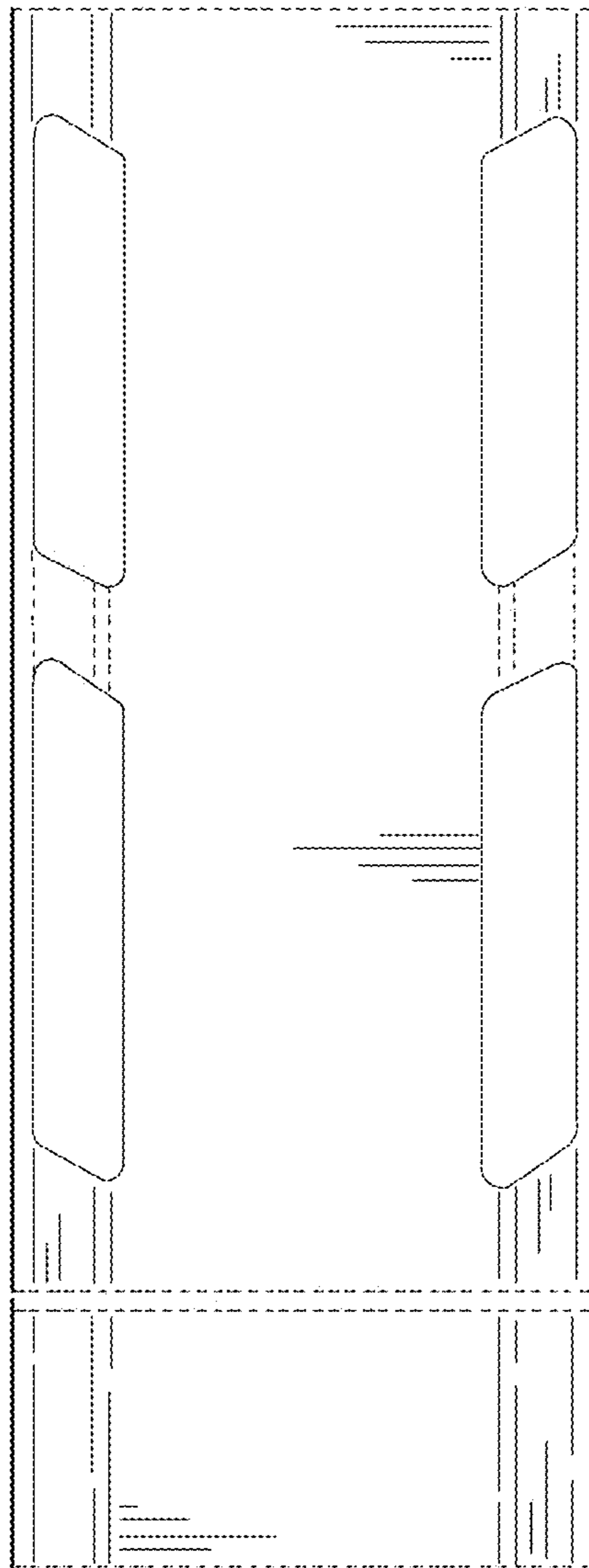


FIG. 6

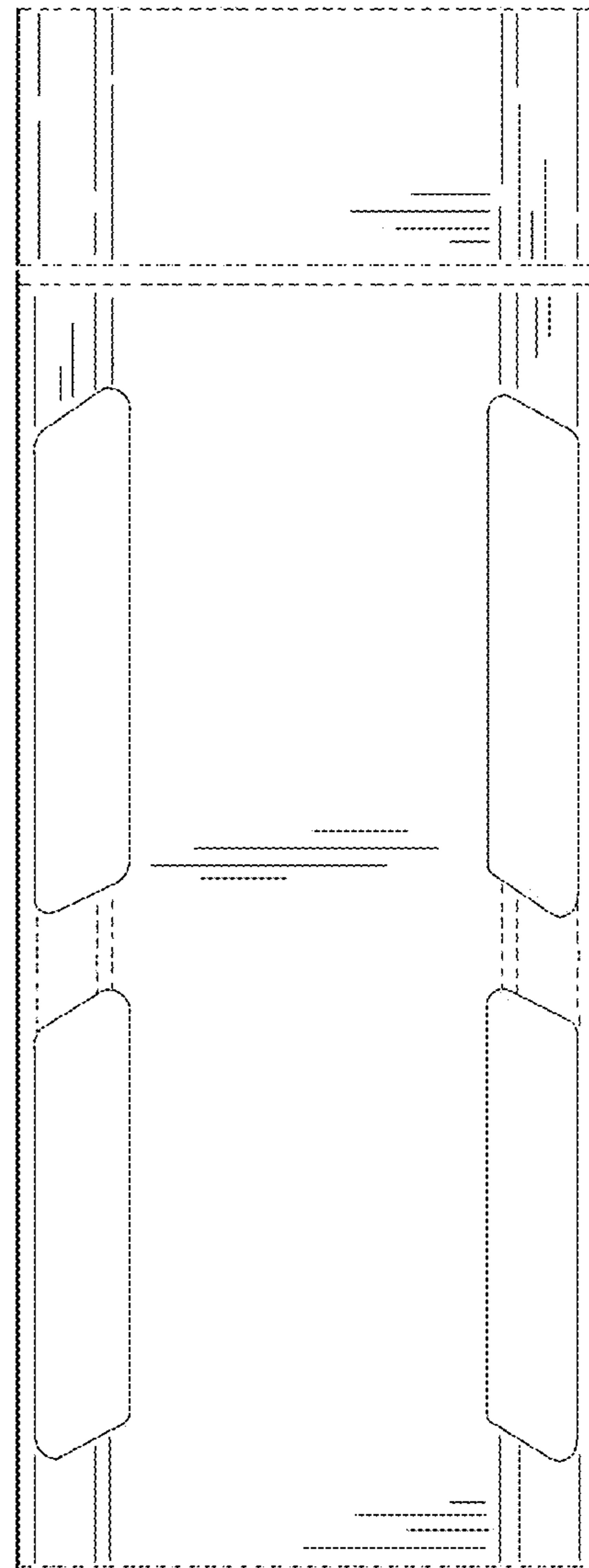


FIG. 7

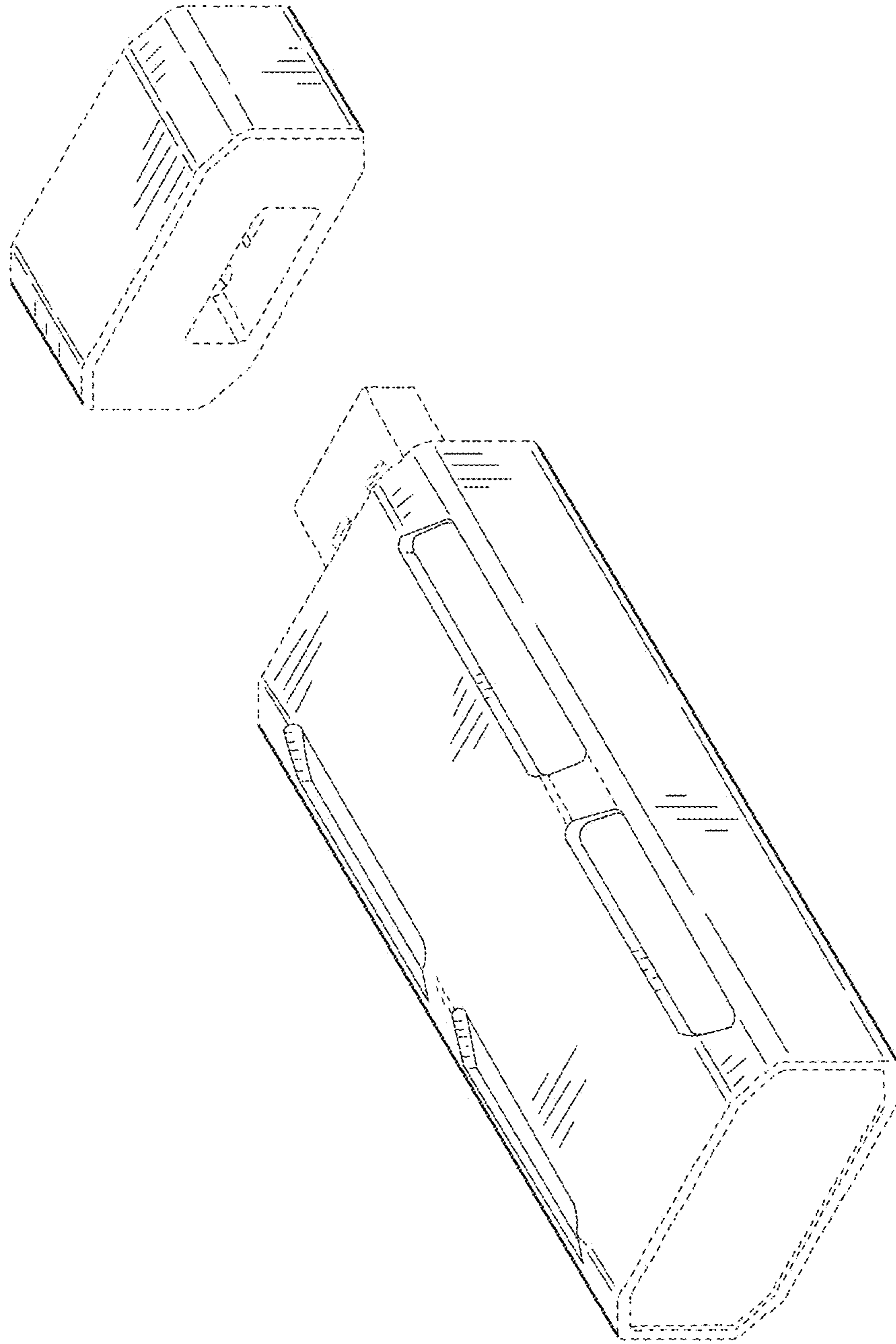


FIG. 8

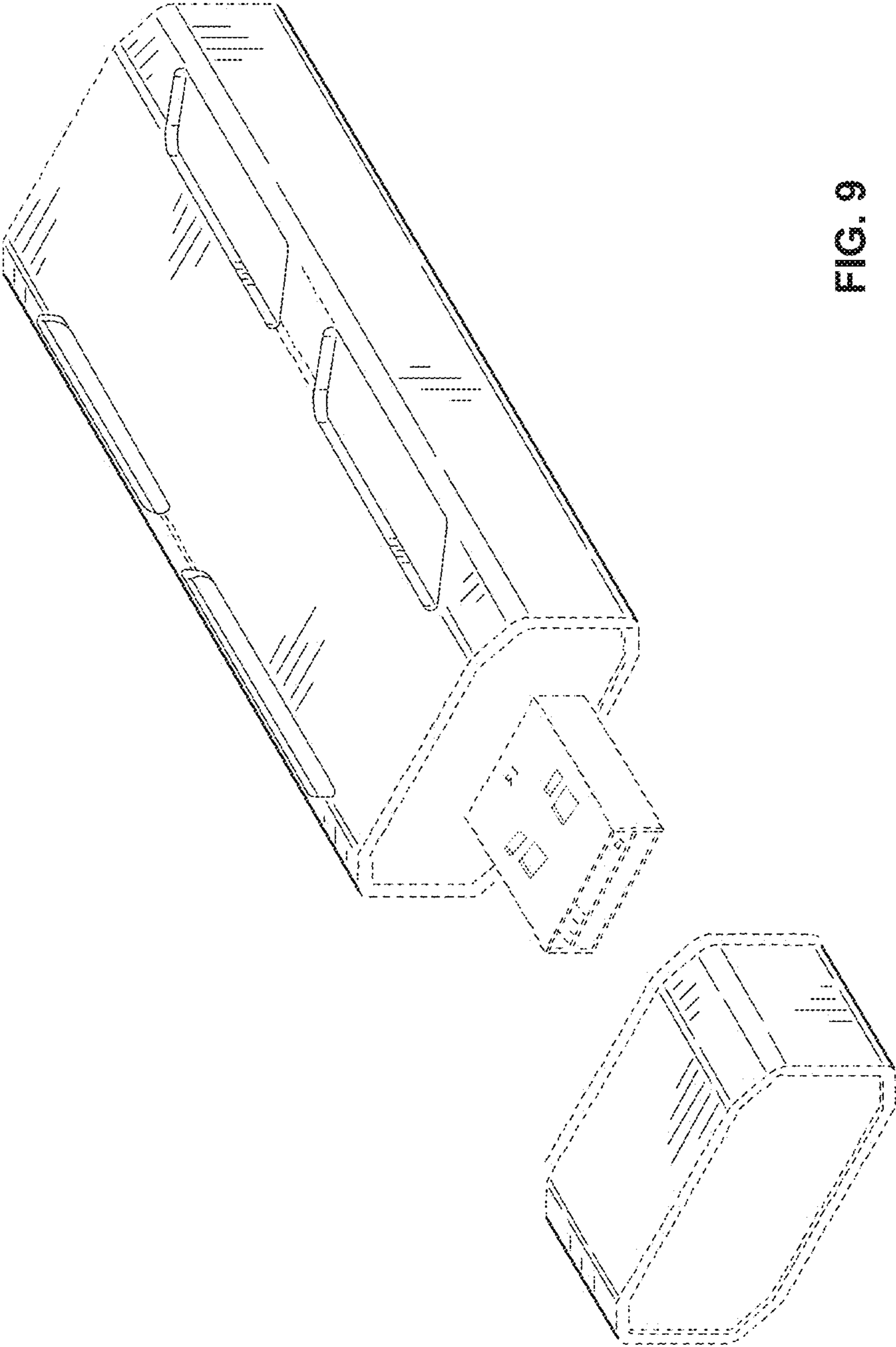


FIG. 9