



US00D878382S

(12) **United States Design Patent** (10) **Patent No.:** **US D878,382 S**
Pei (45) **Date of Patent:** **** Mar. 17, 2020**

(54) **TV MOUNT BRACKET**

A47B 88/044; A47B 2021/0335; H02G 3/126; F16B 47/00; F16B 47/006; A47G 1/17; A47K 2201/00

(71) Applicant: **Xubo Pei**, Shenzhen (CN)

See application file for complete search history.

(72) Inventor: **Xubo Pei**, Shenzhen (CN)

(73) Assignee: **Xubo Pei**, Shenzhen (CN)

(56) **References Cited**

(**) Term: **15 Years**

U.S. PATENT DOCUMENTS

(21) Appl. No.: **29/676,455**

| | | | | | | |
|------------|----|---|--------|-----------|-------|-------------|
| D543,210 | S | * | 5/2007 | Stenhouse | | D14/452 |
| D558,562 | S | * | 1/2008 | Ciungan | | D14/452 |
| D638,023 | S | * | 5/2011 | Skull | | D14/452 |
| D660,844 | S | * | 5/2012 | Kaluza | | D14/452 |
| RE45,646 | E | * | 8/2015 | Ciungan | | D8/363 |
| D816,646 | S | * | 5/2018 | Pei | | D14/239 |
| D822,011 | S | * | 7/2018 | Namala | | D14/239 |
| 10,010,177 | B1 | * | 7/2018 | Pei | | A47B 97/001 |
| D841,631 | S | * | 2/2019 | Pei | | D14/239 |

(22) Filed: **Jan. 11, 2019**

(30) **Foreign Application Priority Data**

Dec. 13, 2018 (CN) 2018 3 0723772

(51) **LOC (12) Cl.** **14-02**

(52) **U.S. Cl.**
USPC **D14/452**

(58) **Field of Classification Search**
USPC D14/371-382, 125-129, 336, 337, D14/447-452, 492, 335, 376-382, 239, D14/457, 439-441, 432, 251-253; D8/349, 354, 363, 373, 376, 380; D21/333; D12/415; D3/218; 348/180, 348/184, 325, 739, 825

CPC G06F 3/0412; G06F 3/016; G06F 3/0488; G06F 3/011; G06F 3/038; G06F 3/03543; G06F 3/0338; G06F 3/0202; G06F 3/0219; G06F 3/0213; G06F 1/1616; G06F 3/023; G06F 3/04883; G02F 1/13338; G02F 1/1313; G02F 1/1333; G02F 1/135; G02F 1/132; G02F 1/133308; G02F 1/134309; G02F 1/13718; G09G 3/3648; G06K 15/1252; B41J 2/465; G03F 7/70291; G02B 27/0172; G02B 5/30; G02B 2027/0118; G02B 27/0101; F16M 13/02; F16M 13/00; F16M 11/10; F16M 11/04; F16M 2200/08; F16M 11/2021; A47B 21/0314;

(Continued)

Primary Examiner — Katie Jane Stofko

(74) *Attorney, Agent, or Firm* — Dave Law Group, LLC; Raj S. Dave

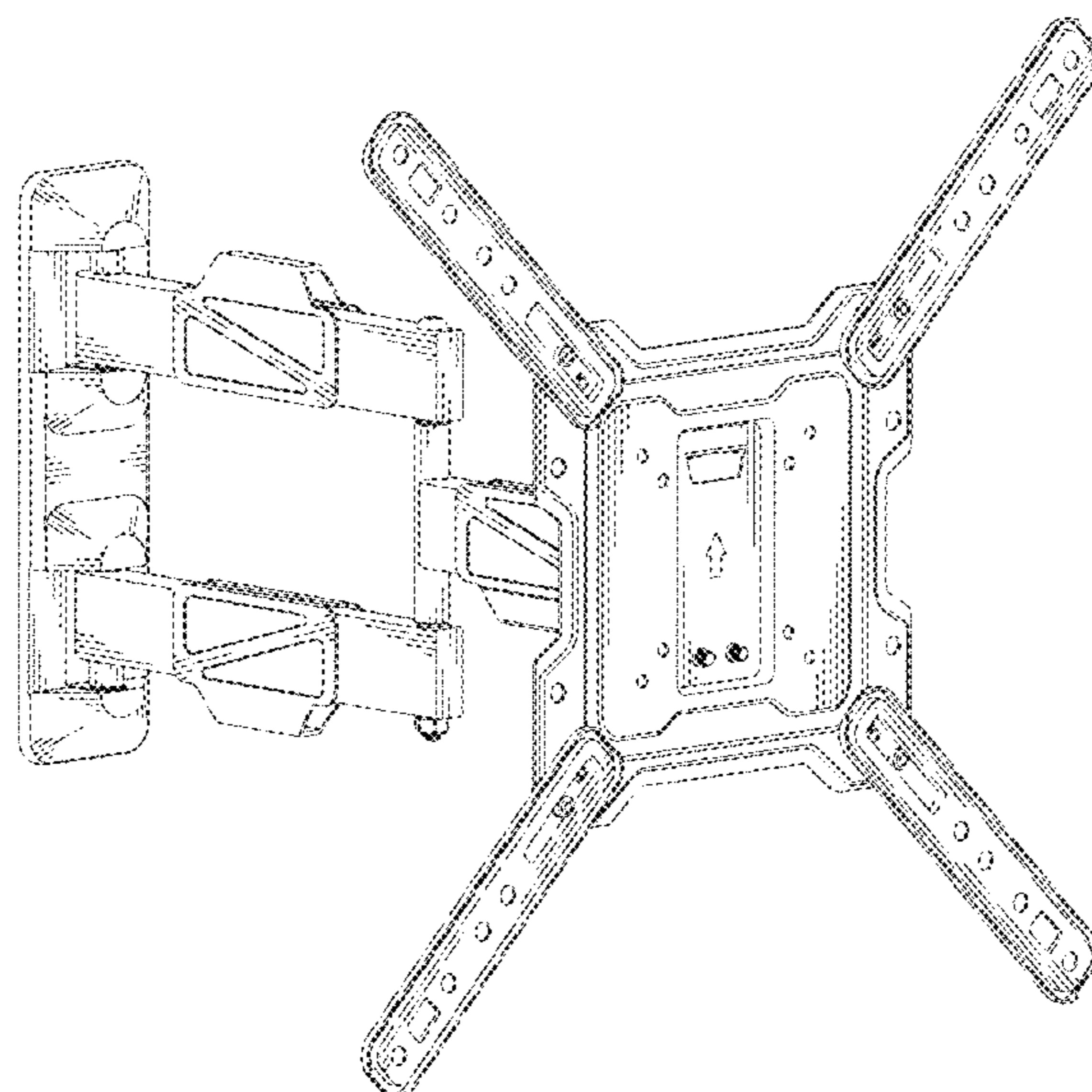
(57) **CLAIM**

The ornamental design for a TV mount bracket, as shown and described.

DESCRIPTION

FIG. 1 is a front view of a TV mount bracket showing the new design;
FIG. 2 is a rear view thereof;
FIG. 3 is a left side view thereof;
FIG. 4 is a right side view thereof;
FIG. 5 is a top plan view thereof;
FIG. 6 is a bottom plan view thereof;
FIG. 7 is a front, top, and left side perspective view thereof;
FIG. 8 is a front, top and left side perspective view thereof, shown in an alternate position; and,
FIG. 9 is a rear, top, and left side perspective view thereof, shown in an alternate position.
The shade lines in the Figures show contour and not surface ornamentation.

1 Claim, 8 Drawing Sheets



(56)

References Cited

U.S. PATENT DOCUMENTS

| | | | | |
|-------------------|--------|-----|-------|-------------|
| D842,284 S * | 3/2019 | Pei | | D14/239 |
| D848,988 S * | 5/2019 | Pei | | D14/239 |
| D852,805 S * | 7/2019 | Lyu | | D14/452 |
| 2018/0177299 A1 * | 6/2018 | Pei | | A47B 97/001 |
| 2019/0191879 A1 * | 6/2019 | Pei | | A47B 97/001 |

* cited by examiner

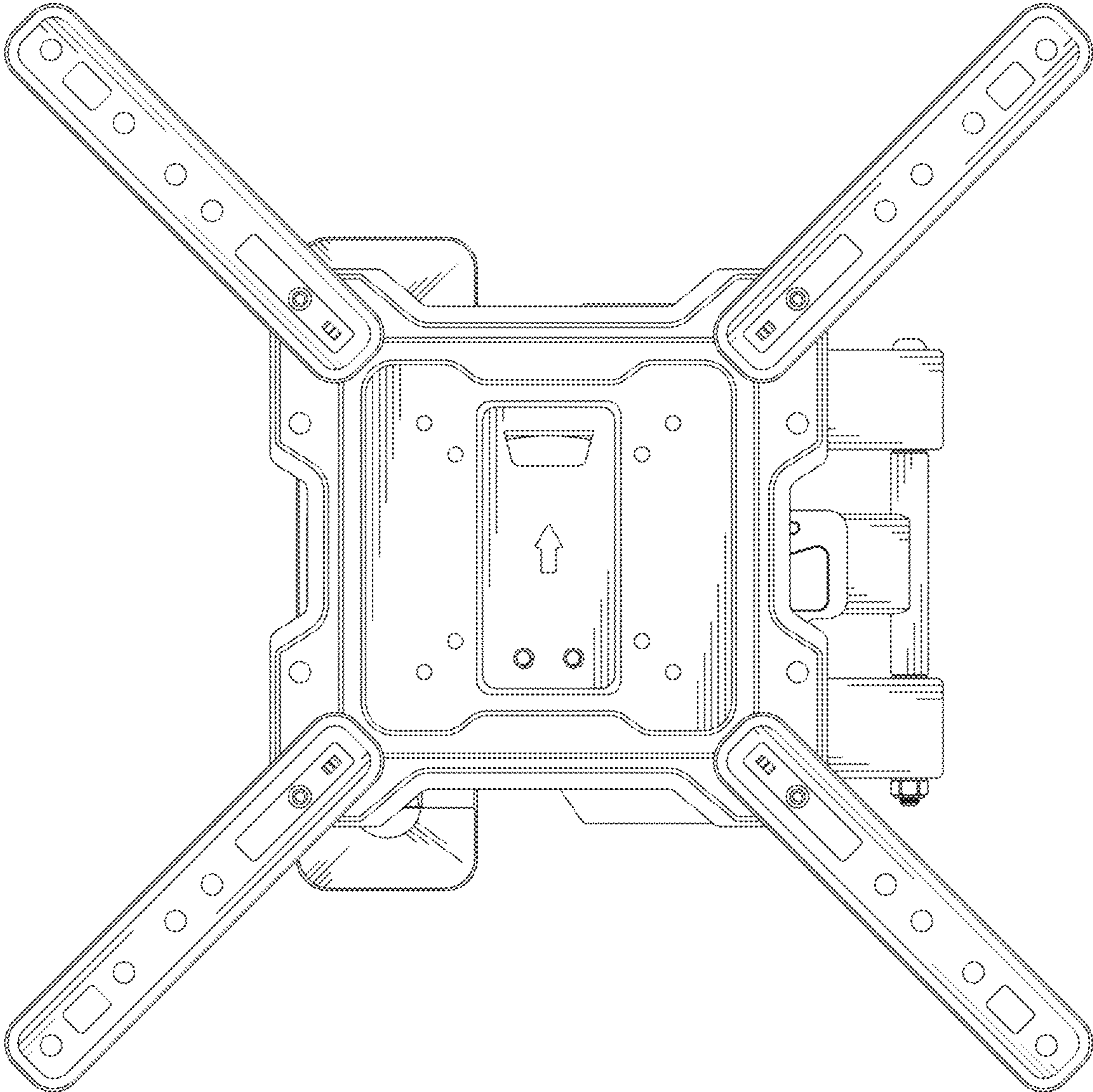


FIG. 1

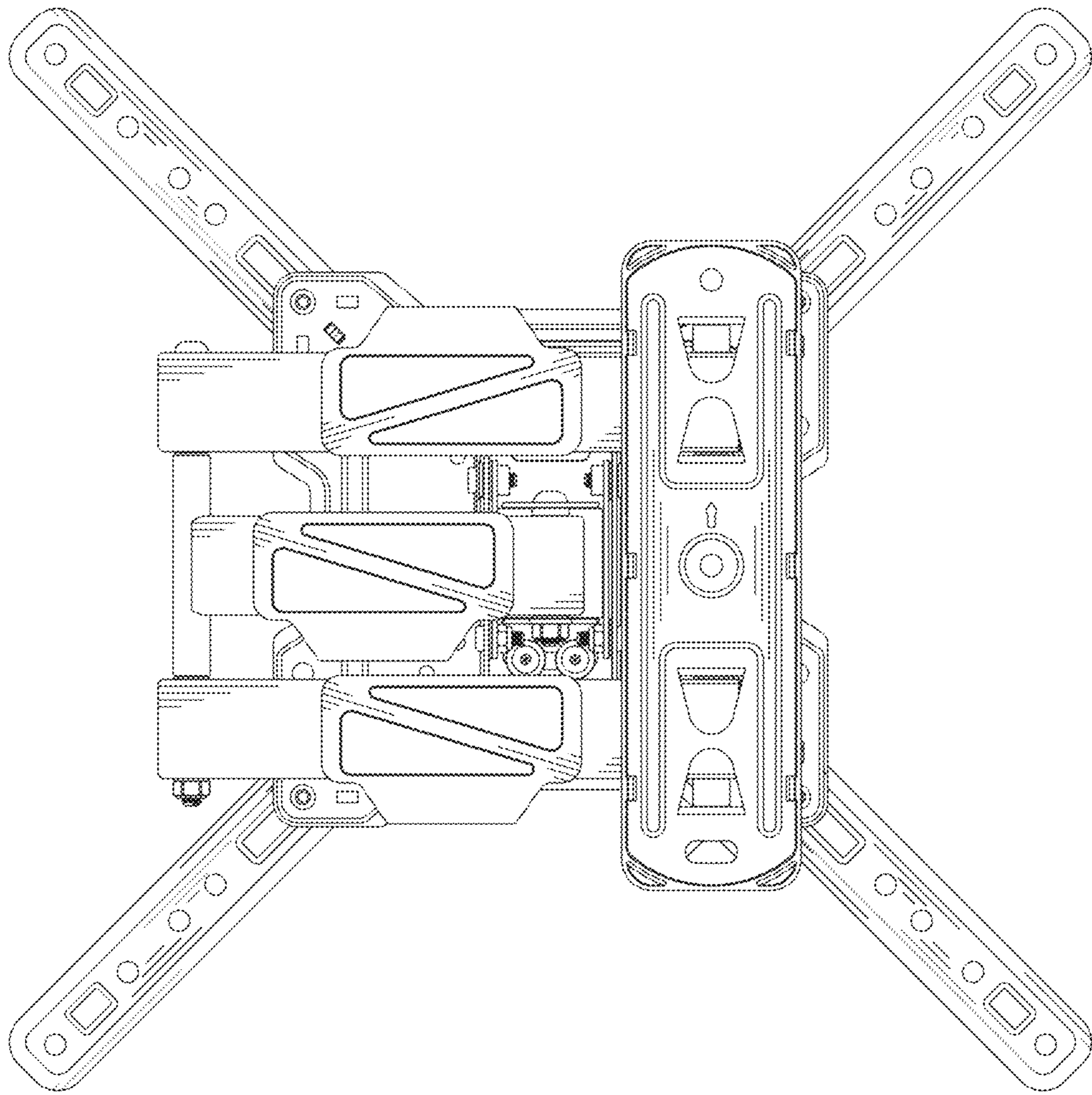


FIG. 2

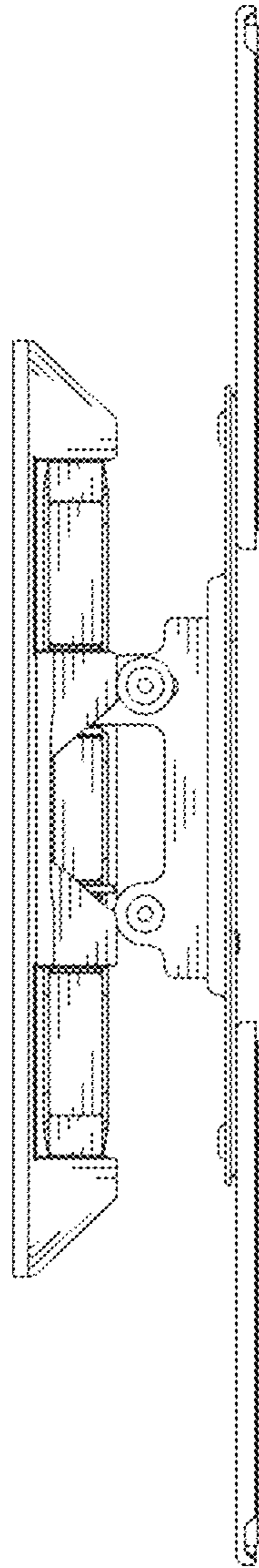


FIG. 3

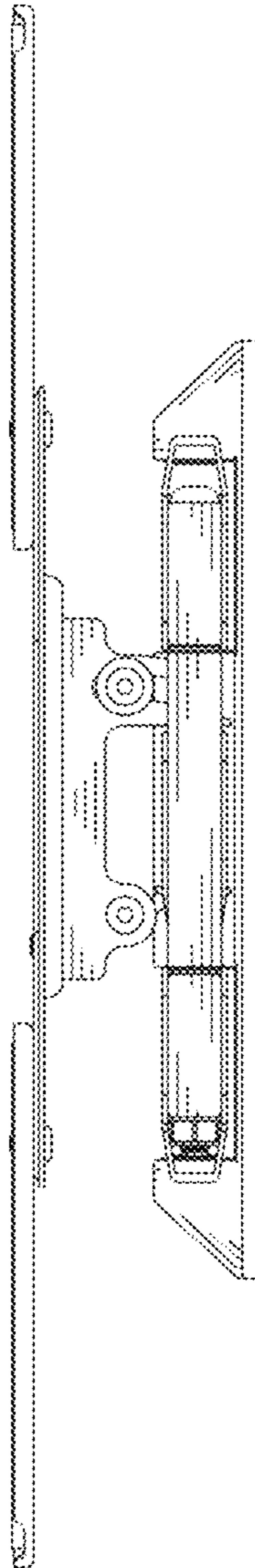


FIG. 4

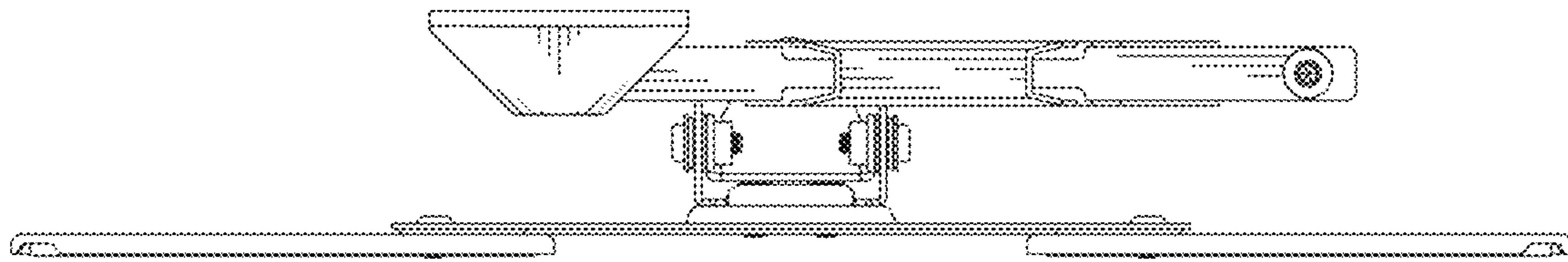


FIG. 5

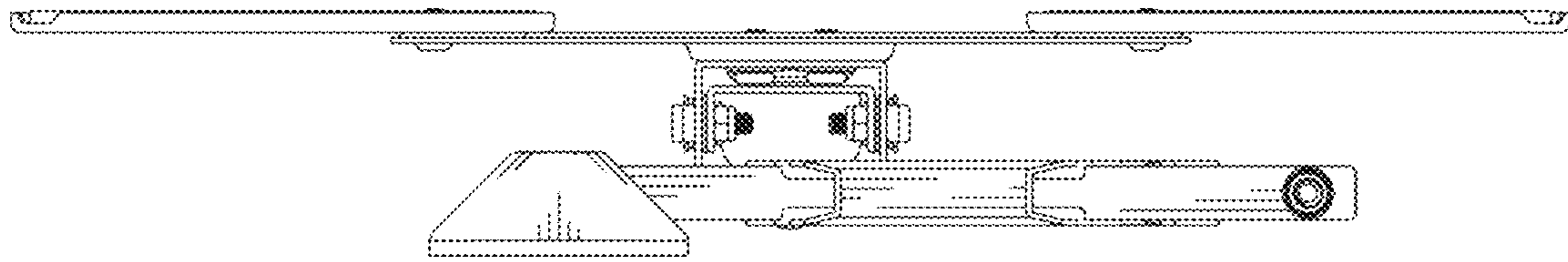


FIG. 6

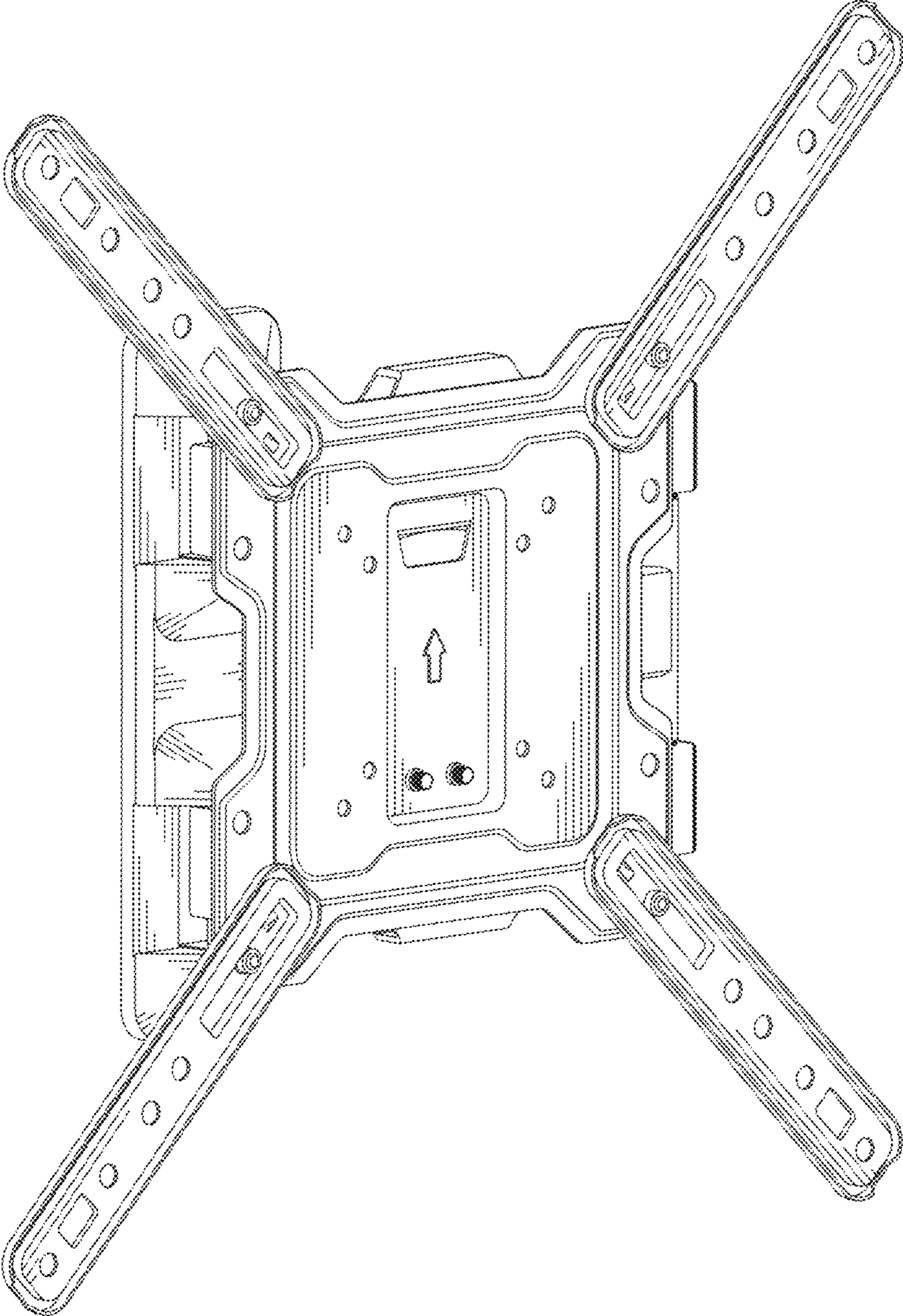


FIG. 7

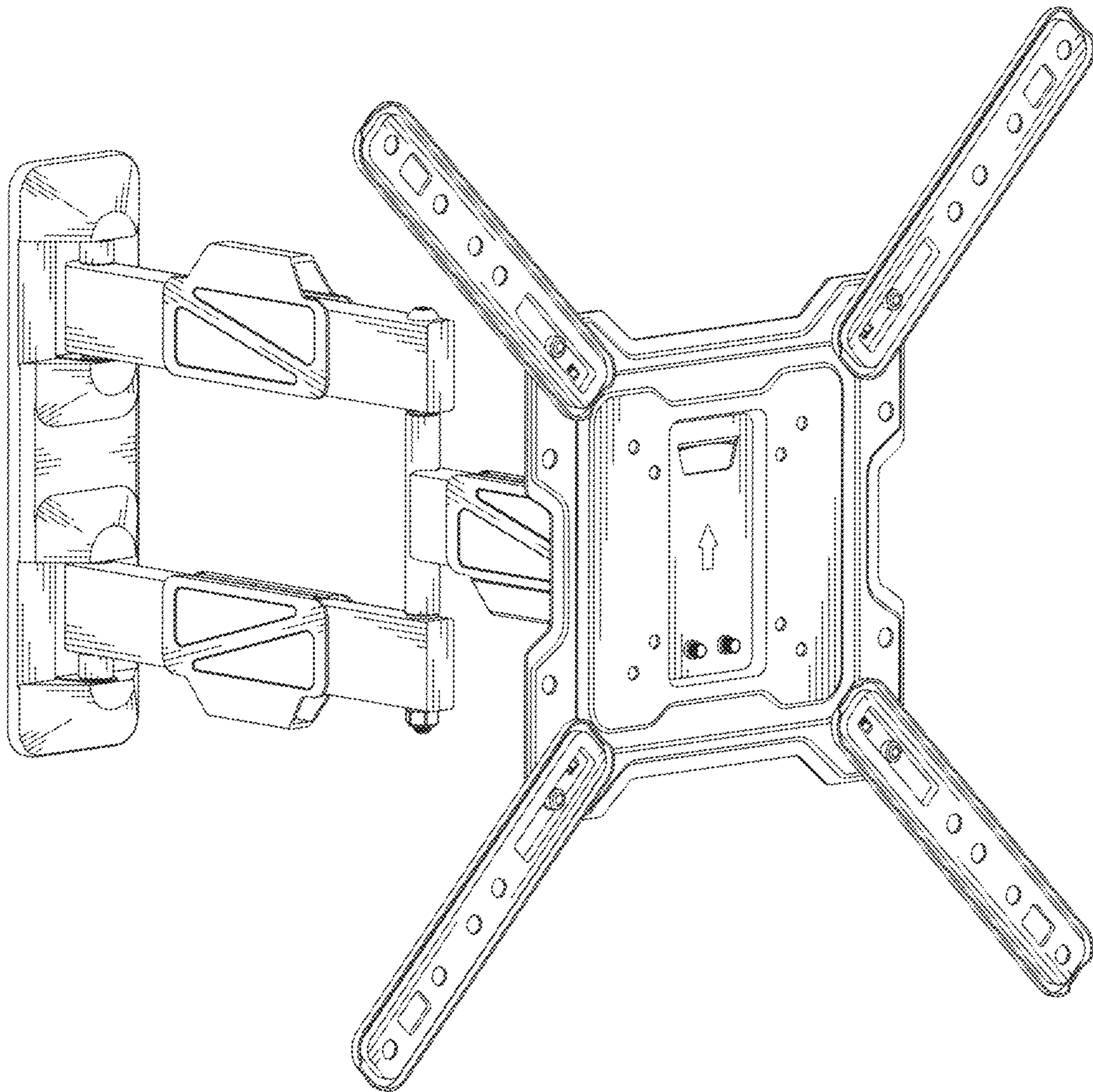


FIG. 8

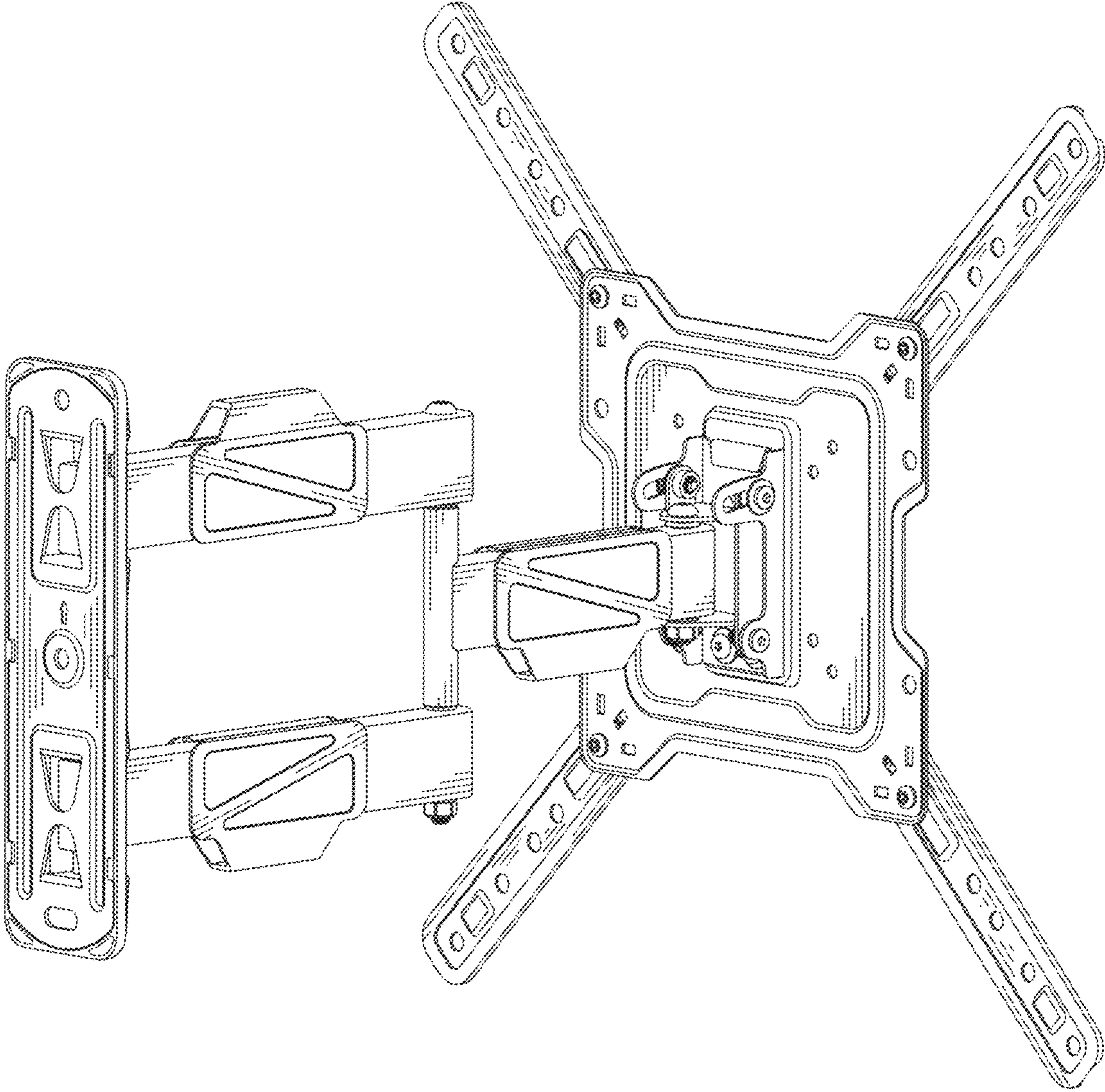


FIG. 9