



US00D878381S

(12) **United States Design Patent** (10) **Patent No.:** **US D878,381 S**  
**Li** (45) **Date of Patent:** **\*\* Mar. 17, 2020**

(54) **HOLDER FOR PORTABLE ELECTRONIC DEVICE**

(71) Applicant: **Getac Technology Corporation**,  
Hsinchu County (TW)

(72) Inventor: **Chun-Hsing Li**, Taipei (TW)

(73) Assignee: **GETAC TECHNOLOGY CORPORATION**, Hsinchu County (TW)

(\*\*) Term: **15 Years**

(21) Appl. No.: **29/655,736**

(22) Filed: **Jul. 6, 2018**

(30) **Foreign Application Priority Data**

Dec. 8, 2017 (CN) ..... 2017 3 0621636

(51) **LOC (12) Cl.** ..... **08-07**

(52) **U.S. Cl.**  
USPC ..... **D14/447**

(58) **Field of Classification Search**  
USPC ..... D14/447, 432, 434, 439, 440, 451, 452, D14/457, 239, 250, 253, 203.7, 336, 337; D8/363, 373, 380; D6/406.3, 406.4, D6/406.5, 406.6; D12/415; D21/330, D21/331; D3/218  
CPC ..... A47B 21/04; A47B 2097/006; A47B 2097/005; A47B 2023/049; A45C 2011/002; A45C 2011/003; F16M 2200/00; F16M 13/00  
See application file for complete search history.

(56) **References Cited**

**U.S. PATENT DOCUMENTS**

D637,599 S \* 5/2011 Liao ..... D14/447  
D711,867 S \* 8/2014 Harris ..... D14/253

D742,386 S \* 11/2015 Rost ..... D14/447  
D773,784 S \* 12/2016 Patulski ..... D2/853  
D792,416 S \* 7/2017 Tsai ..... D14/447  
D795,265 S \* 8/2017 Li ..... D14/447  
D804,451 S \* 12/2017 Isabelle ..... D14/217  
D813,529 S \* 3/2018 Li ..... D3/218  
D822,379 S \* 7/2018 Li ..... D3/218  
D843,378 S \* 3/2019 Langhein ..... D14/447  
D845,309 S \* 4/2019 Goldstein ..... D14/447  
D849,012 S \* 5/2019 Yao ..... D14/447  
D853,714 S \* 7/2019 Feng ..... D3/218

\* cited by examiner

*Primary Examiner* — Angela J Lee

(74) *Attorney, Agent, or Firm* — Locke Lord LLP; Tim Tingkang Xia, Esq.

(57) **CLAIM**

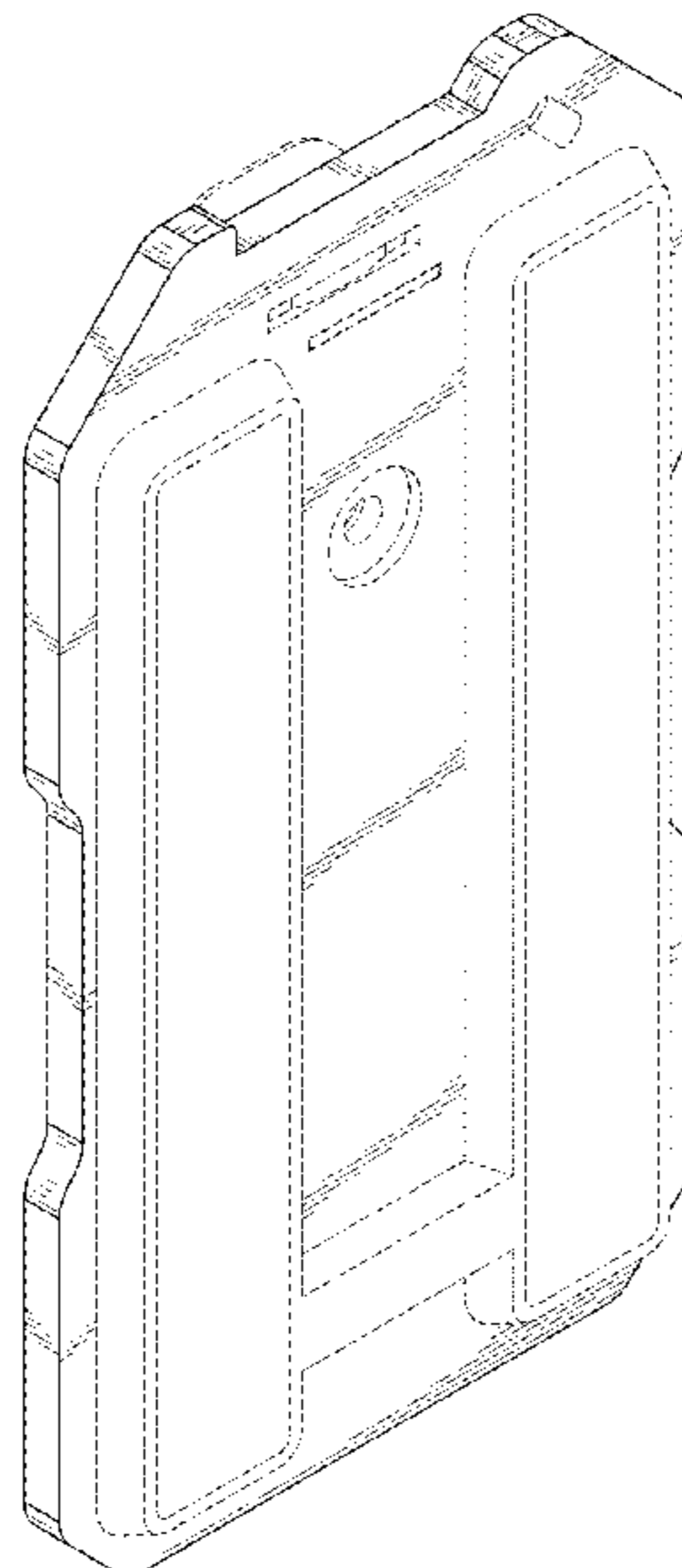
The ornamental design for a holder for portable electronic device, as shown and described.

**DESCRIPTION**

FIG. 1 is a top front left perspective view showing an embodiment of my new design;  
FIG. 2 is a top rear right perspective view thereof;  
FIG. 3 is a front view thereof;  
FIG. 4 is a rear view thereof;  
FIG. 5 is a left side view thereof;  
FIG. 6 is a right side view thereof;  
FIG. 7 is a top view thereof;  
FIG. 8 is a bottom view thereof; and,  
FIG. 9 is a reference perspective view of the embodiment of my new design installed on a portable electronic device shown in broken lines.

The broken lines immediately adjacent the shaded areas represent the bounds of the claimed design. All other broken lines are directed to environment and are for illustrative purposes only. The broken lines form no part of the claimed design.

**1 Claim, 7 Drawing Sheets**



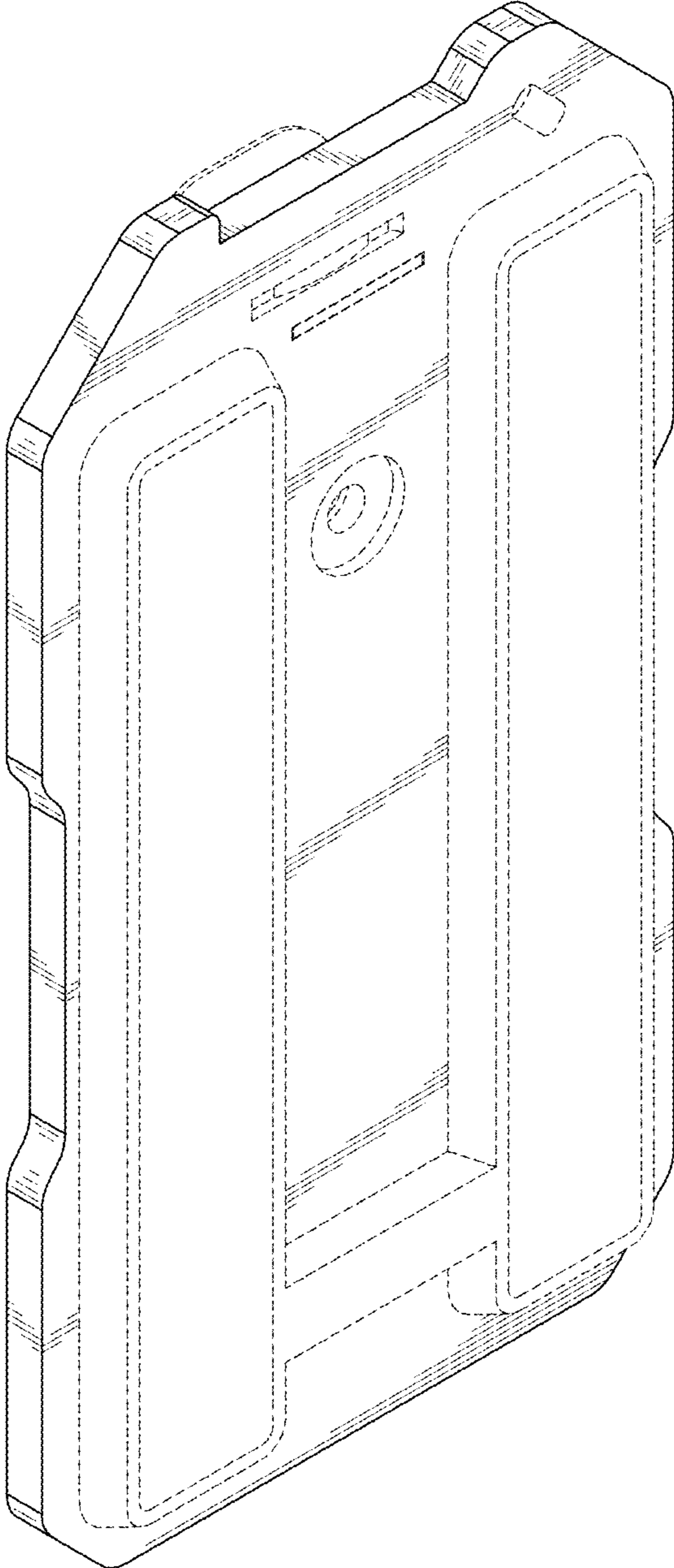


FIG. 1

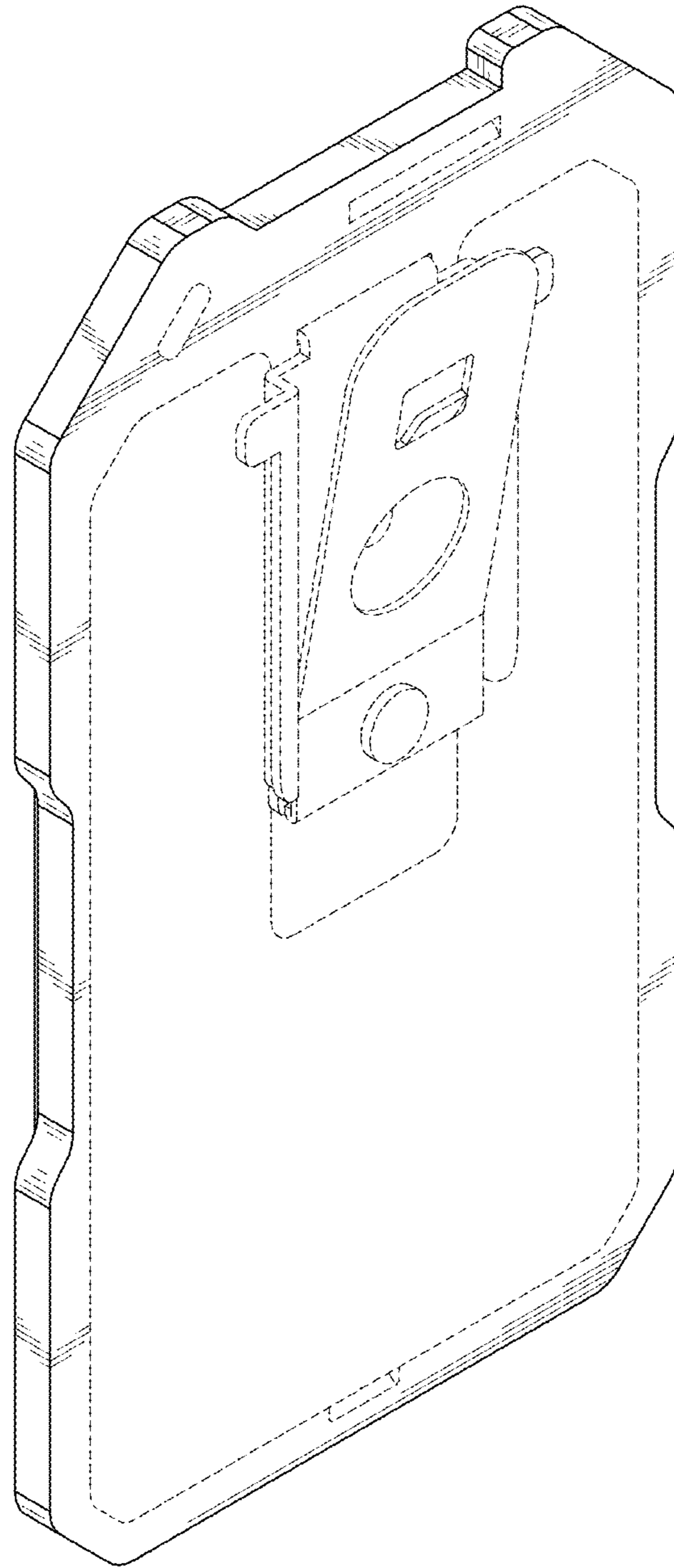


FIG. 2

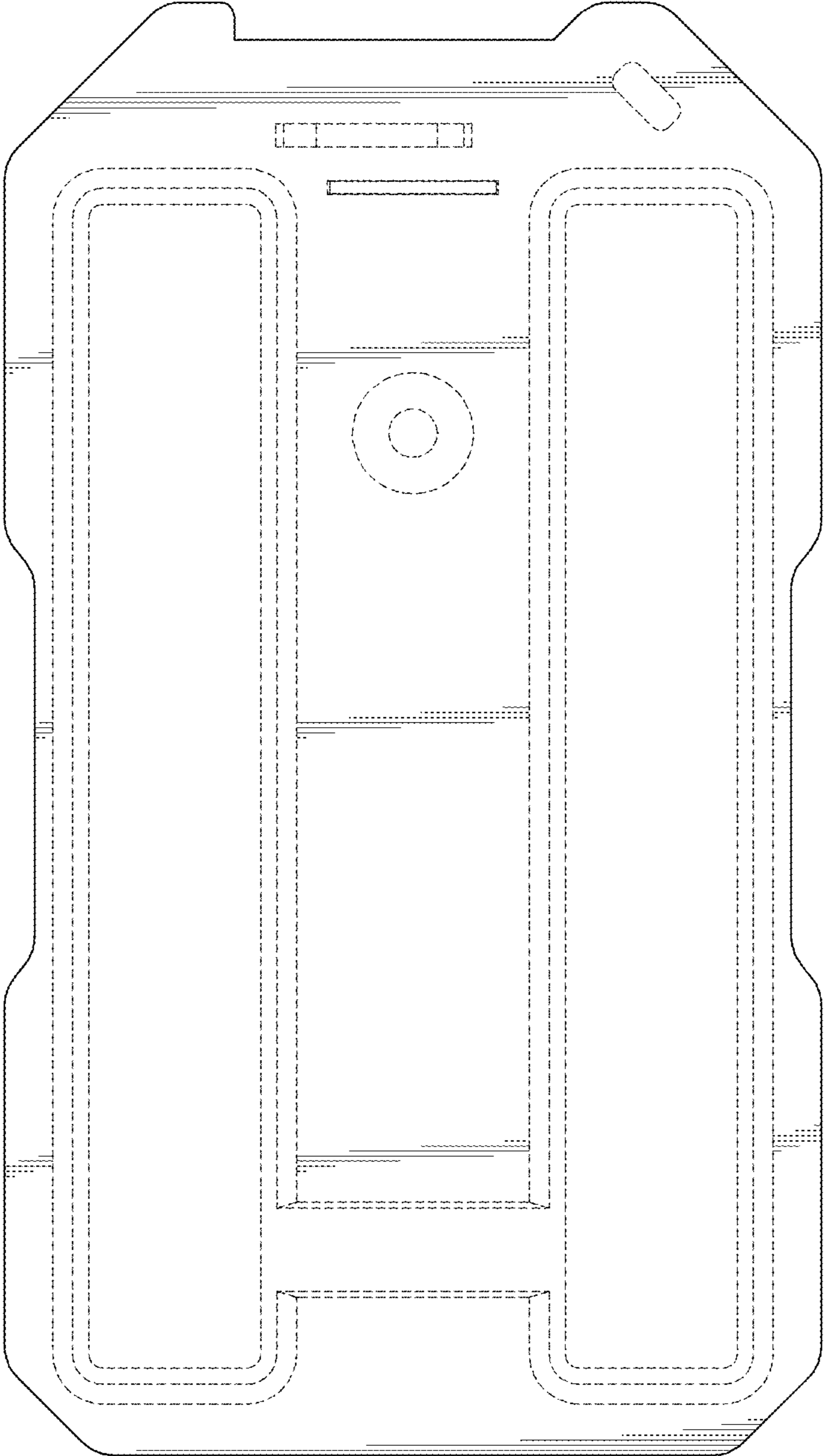


FIG. 3

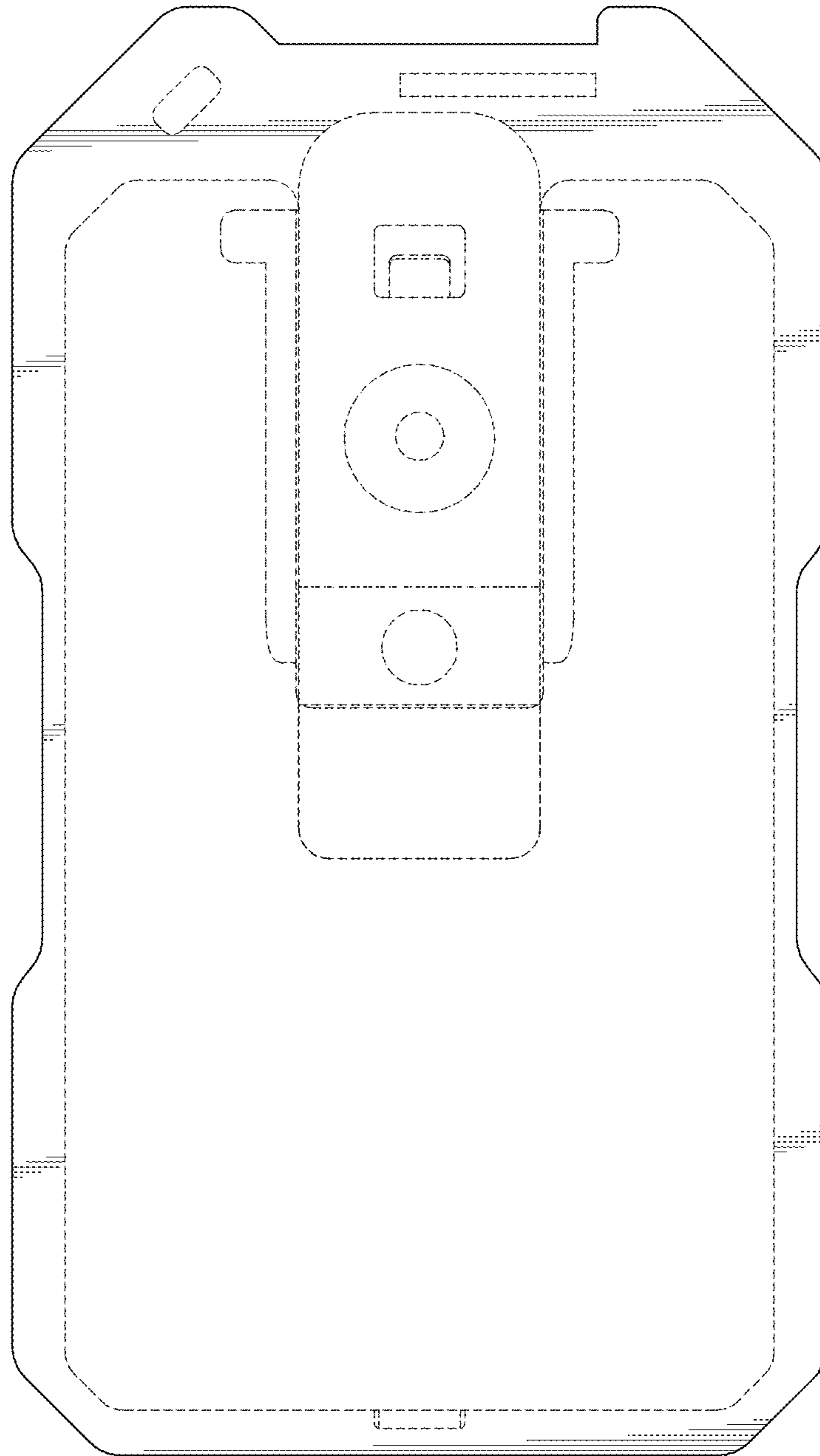


FIG. 4

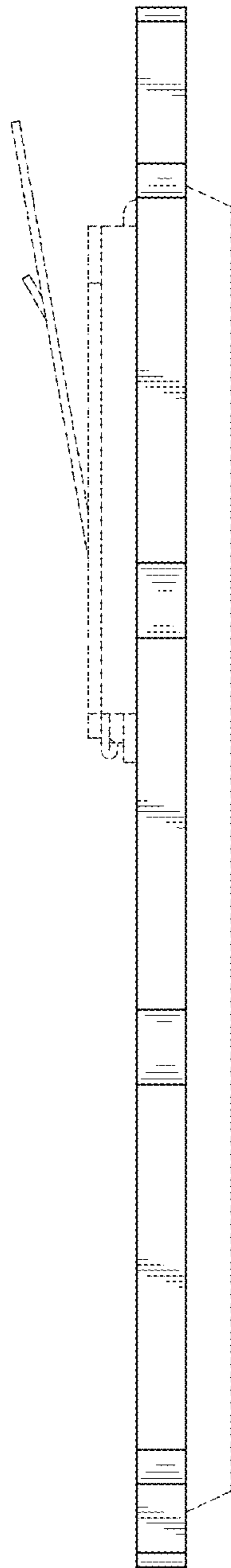


FIG. 5

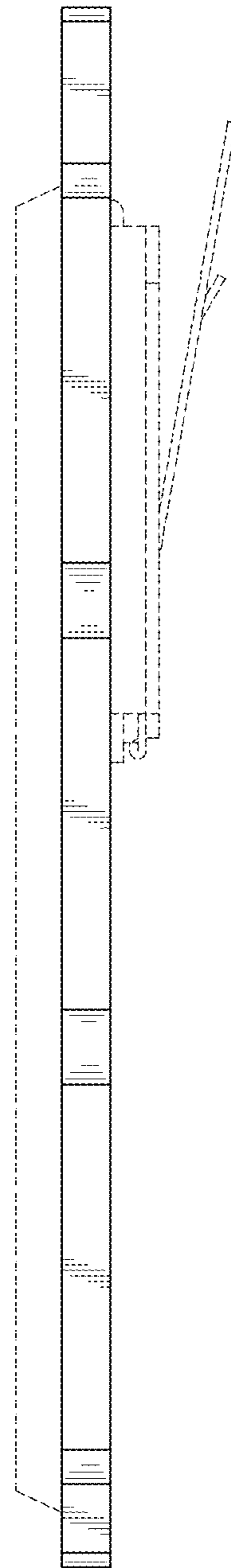


FIG. 6

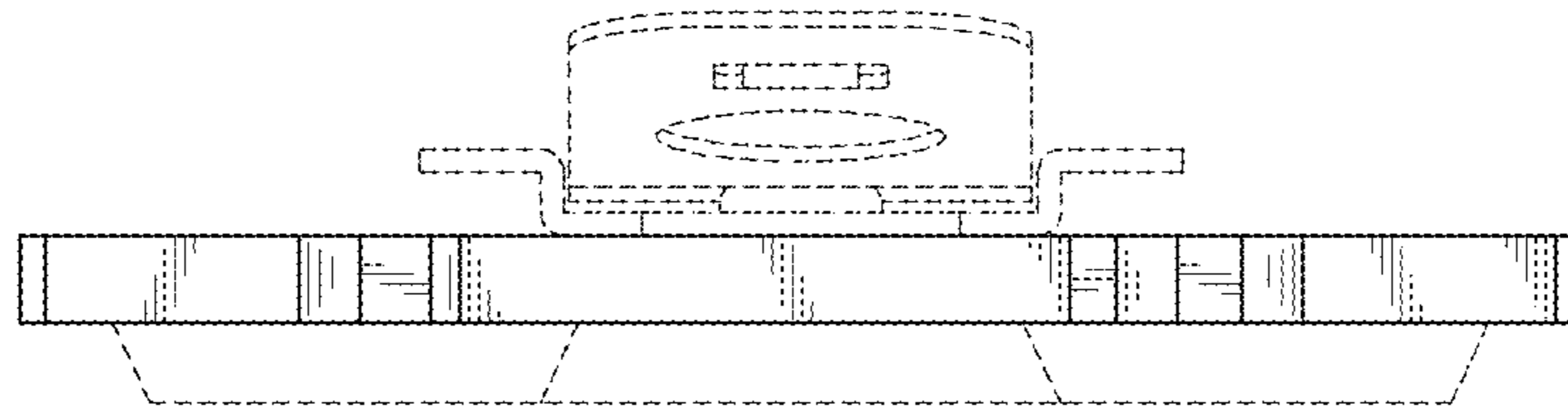


FIG. 7

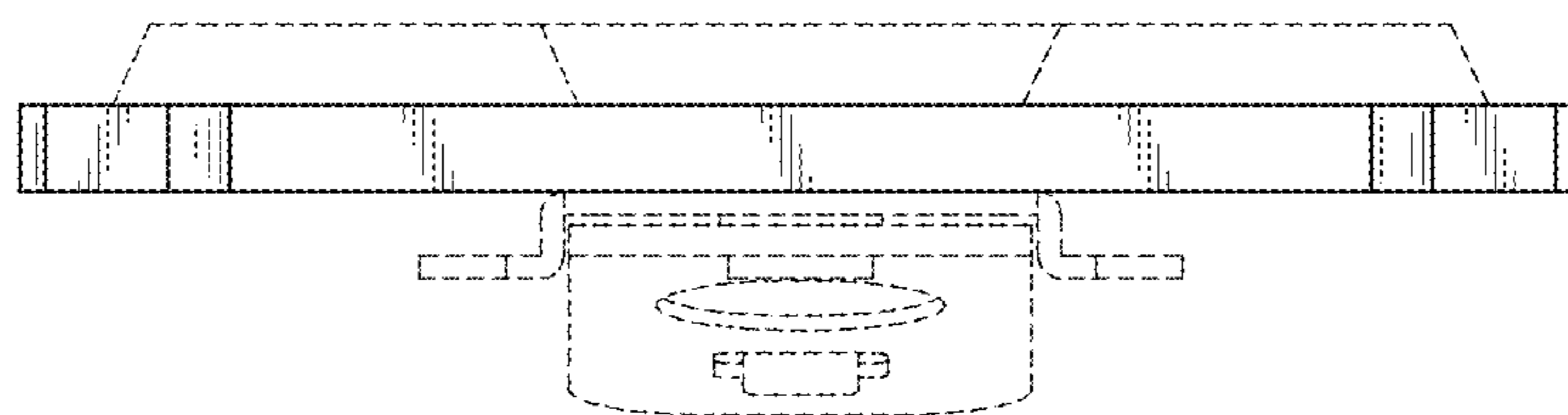


FIG. 8

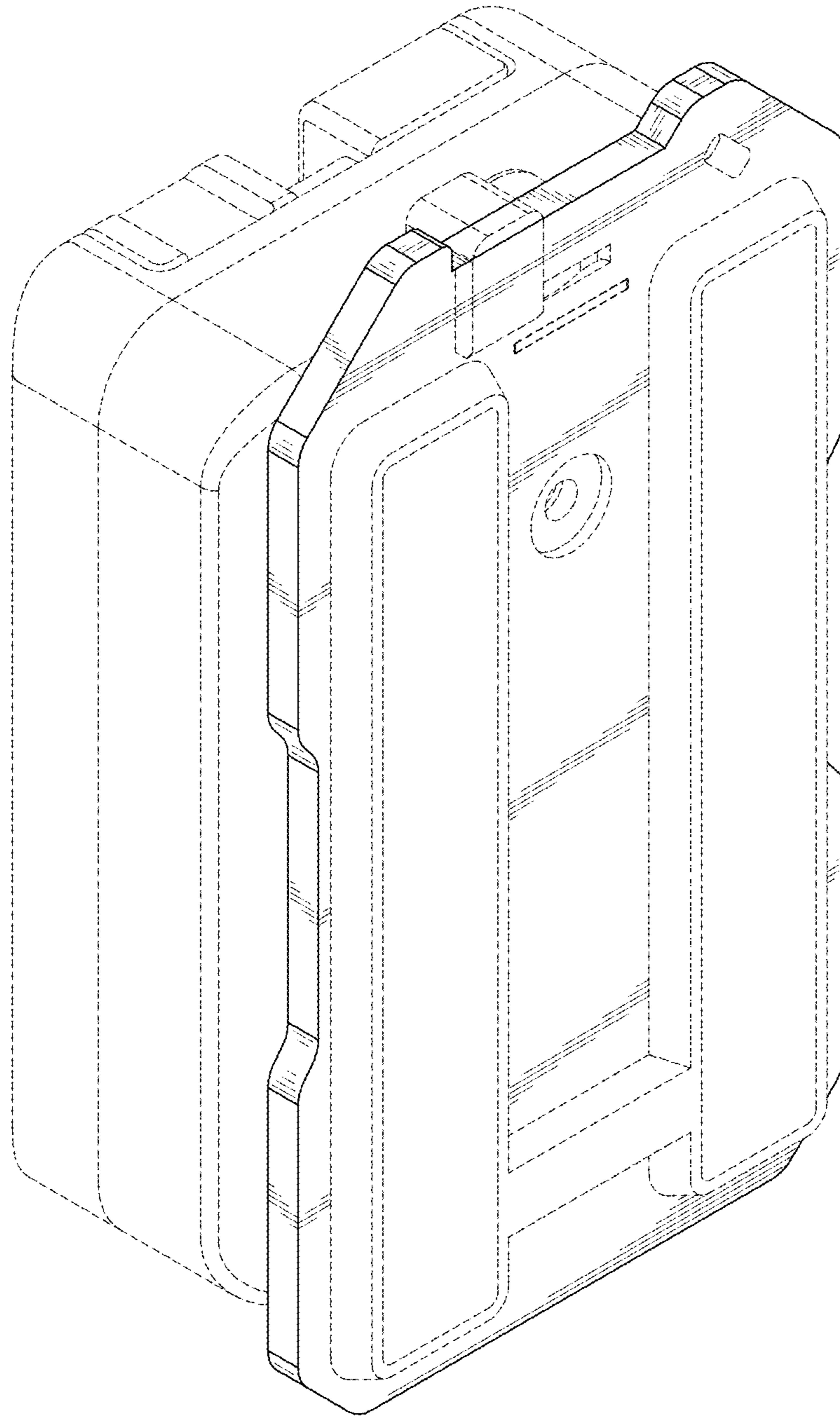


FIG. 9