



US00D878380S

(12) **United States Design Patent**
Siminoff et al.

(10) **Patent No.:** **US D878,380 S**

(45) **Date of Patent:** **** Mar. 17, 2020**

(54) **DEVICE MOUNT**

(71) Applicant: **Amazon Technologies, Inc.**, Seattle, WA (US)

(72) Inventors: **Mark Siminoff**, Mountain View, CA (US); **Matthew J. England**, Santa Monica, CA (US)

(73) Assignee: **Amazon Technologies, Inc.**, Seattle, WA (US)

(**) Term: **15 Years**

(21) Appl. No.: **29/648,051**

(22) Filed: **May 17, 2018**

(51) **LOC (12) Cl.** **08-07**

(52) **U.S. Cl.**
USPC **D14/447**

(58) **Field of Classification Search**
USPC D14/447, 432, 434, 439, 440, 451, 452, D14/457, 239, 250, 253, 203.7, 336, 337; D8/363, 373, 380; D6/406.3, 406.4, D6/406.5, 406.6; D12/415; D21/330, D21/331; D3/218
CPC A47B 21/04; A47B 2097/006; A47B 2097/005; A47B 2023/049; A45C 2011/002; A45C 2011/003; F16M 2200/00; F16M 13/00
See application file for complete search history.

(56) **References Cited**

U.S. PATENT DOCUMENTS

D478,741 S * 8/2003 White D19/77
D515,310 S * 2/2006 Liu D3/218

D541,741 S * 5/2007 Yosef D13/110
D546,823 S * 7/2007 Dayan D14/253
D610,353 S * 2/2010 Cooney D3/313
D652,422 S * 1/2012 Cheng D14/253
D655,293 S * 3/2012 Gioscia D14/434
D691,125 S * 10/2013 Cheon D14/253
D702,687 S * 4/2014 Chu D14/434
D726,705 S * 4/2015 Kang D14/252
D751,431 S * 3/2016 Browning D10/74
D832,859 S * 11/2018 Charlesworth D14/451

* cited by examiner

Primary Examiner — Angela J Lee

(74) *Attorney, Agent, or Firm* — Lee & Hayes, P.C.

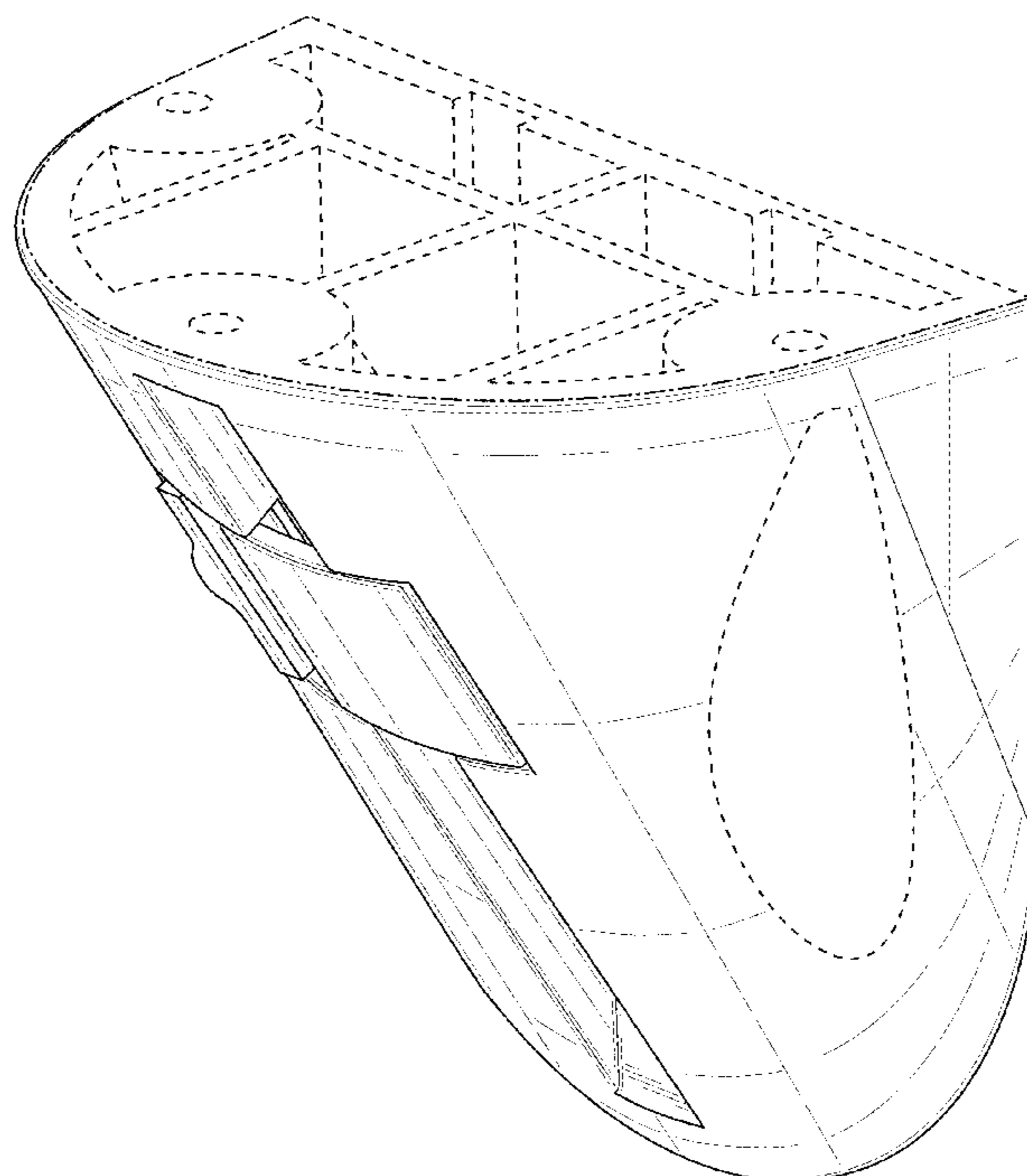
(57) **CLAIM**

The ornamental design for a device mount, as shown and described.

DESCRIPTION

FIG. 1 is a front perspective view of a device mount; FIG. 2 is a front elevational view thereof; FIG. 3 is a rear elevational view thereof; FIG. 4 is a left-side elevational view thereof; FIG. 5 is a right-side elevational view thereof; FIG. 6 is a top plan view thereof; and, FIG. 7 is a bottom plan view thereof. The shade lines in the figures show contour and not surface ornamentation. The dashed broken lines depict portions of the device mount that form no part of the claimed design. The dot-dashed broken lines represent boundaries of the claimed device mount and form no part of the claimed design.

1 Claim, 7 Drawing Sheets



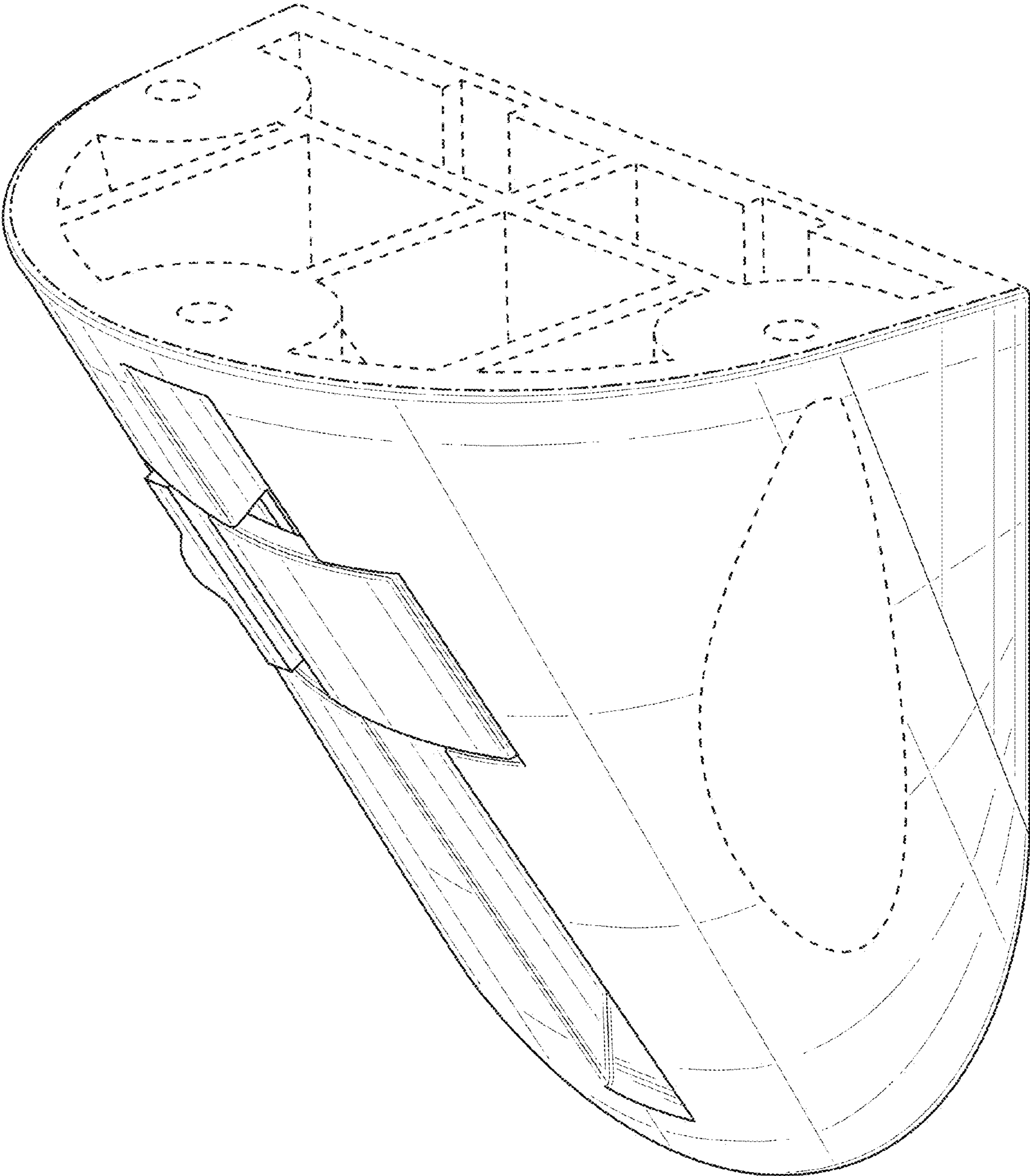


FIG. 1

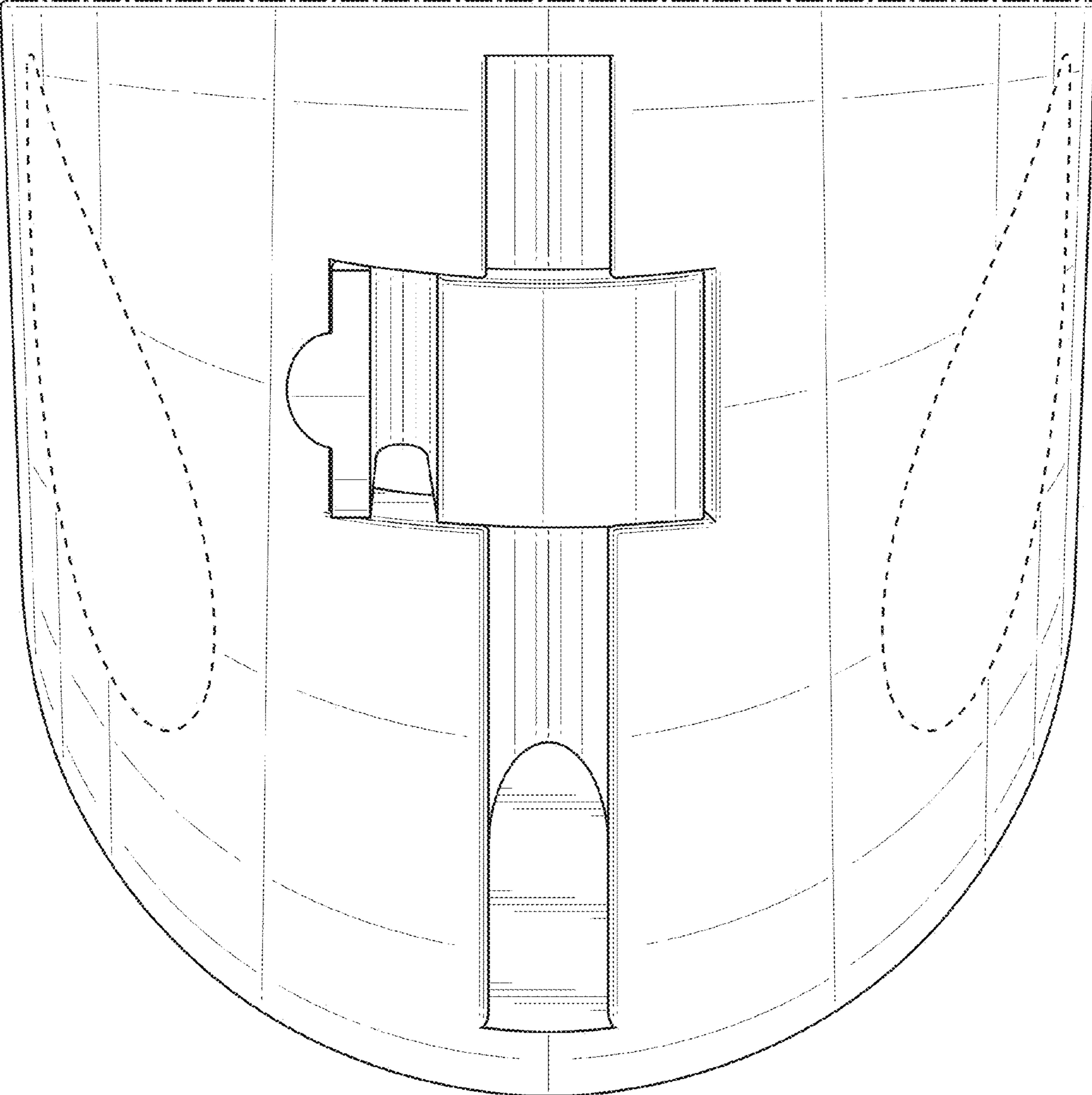


FIG. 2

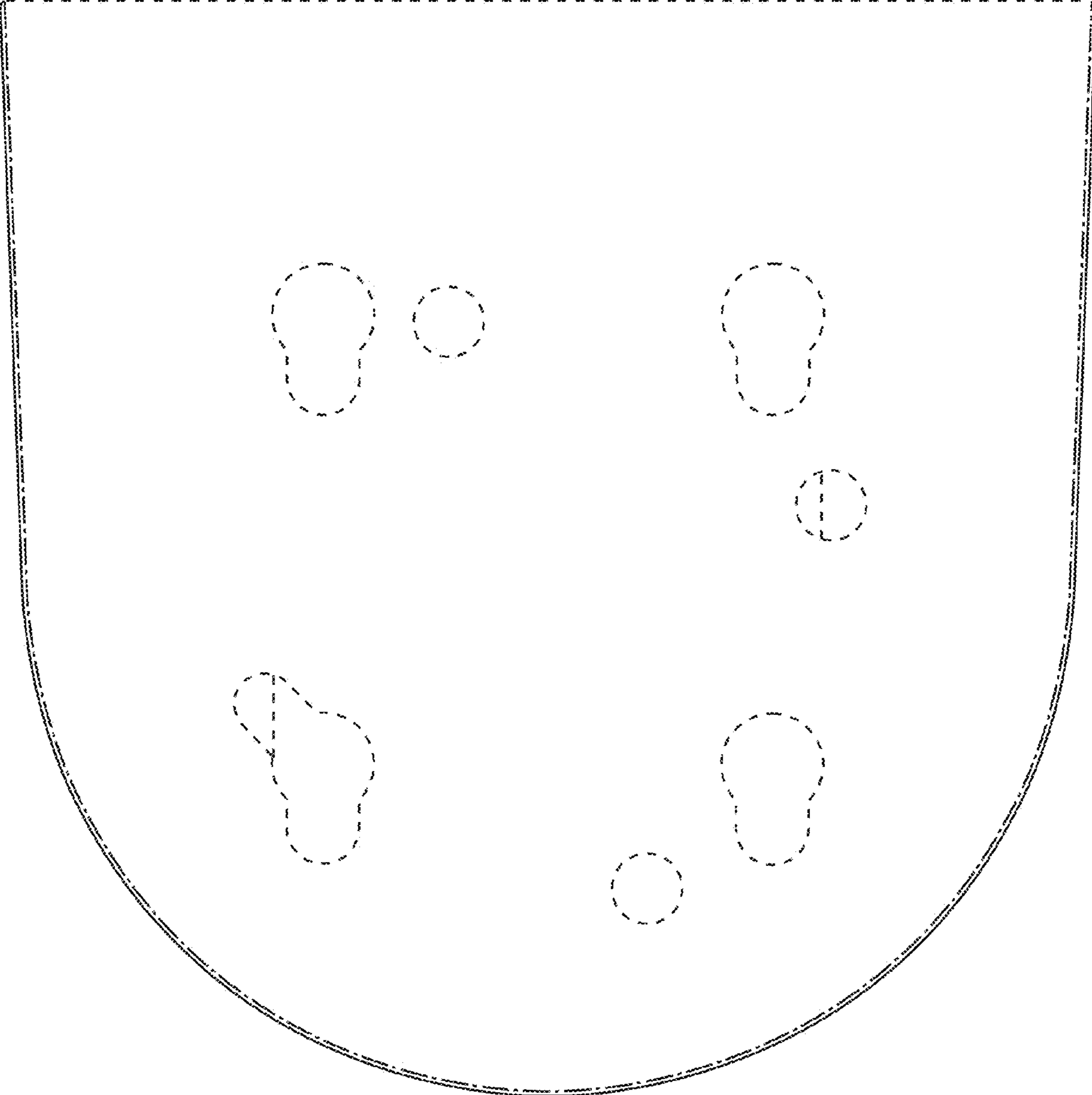


FIG. 3

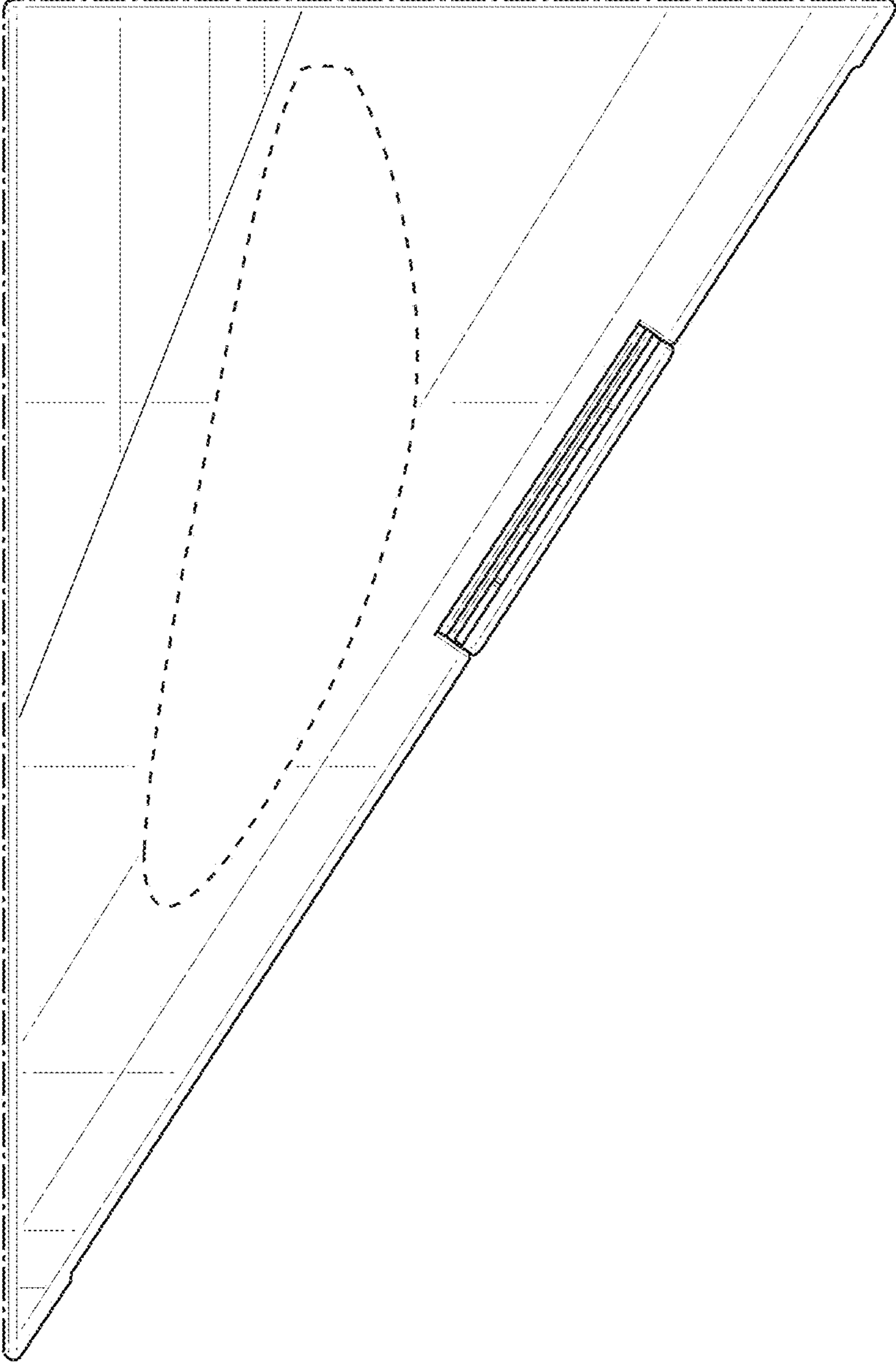


FIG. 4

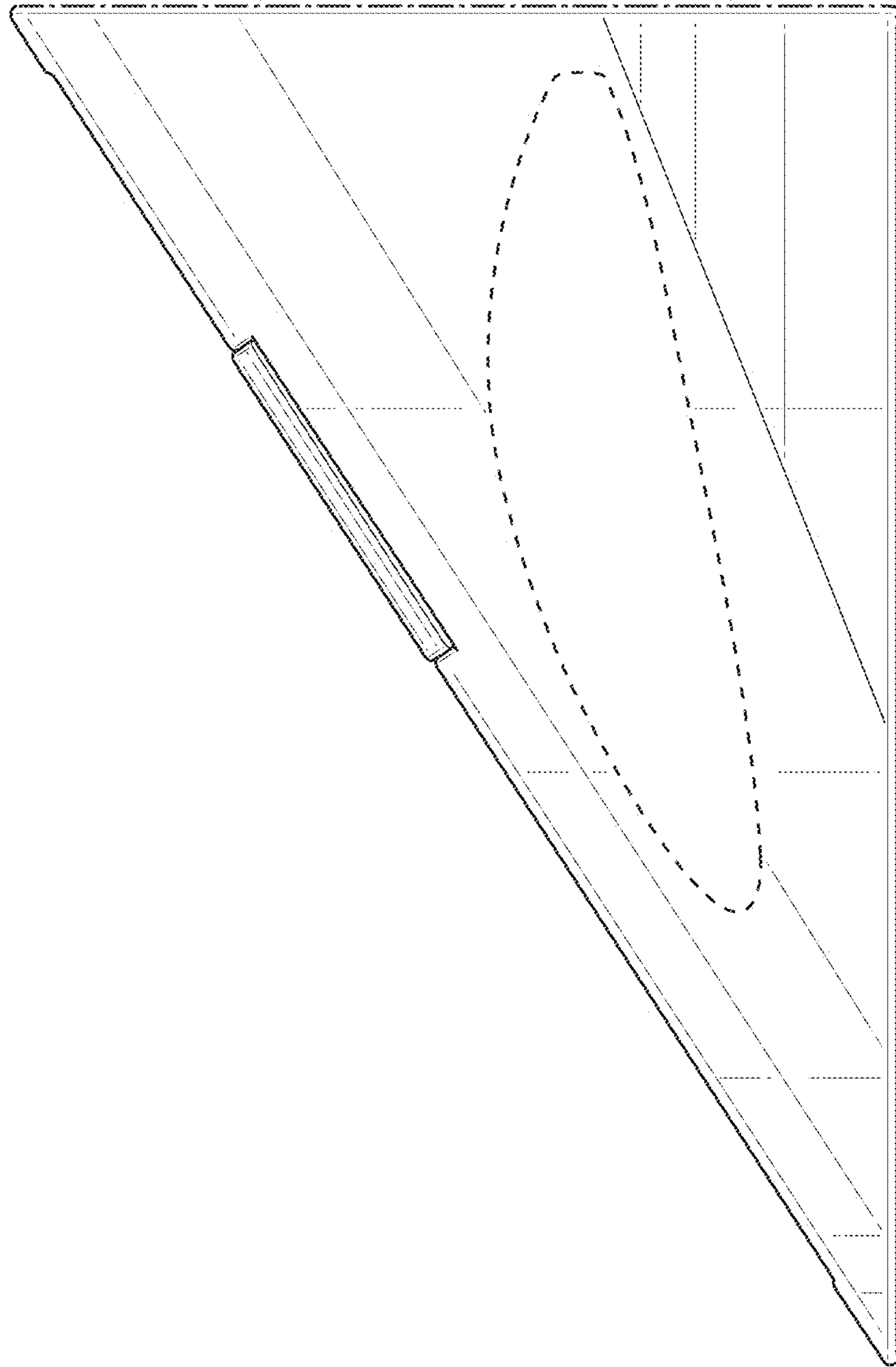


FIG. 5

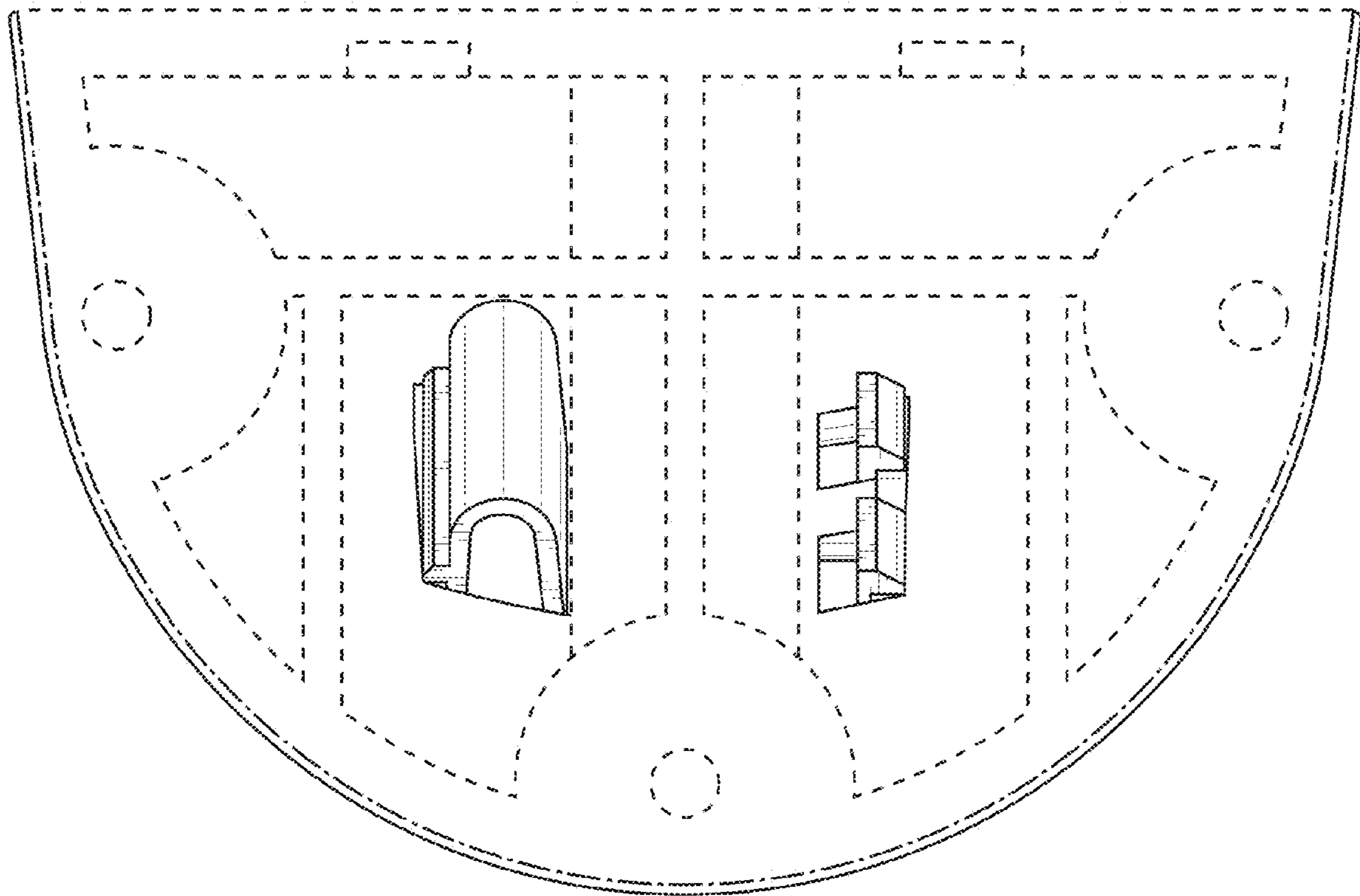


FIG. 6

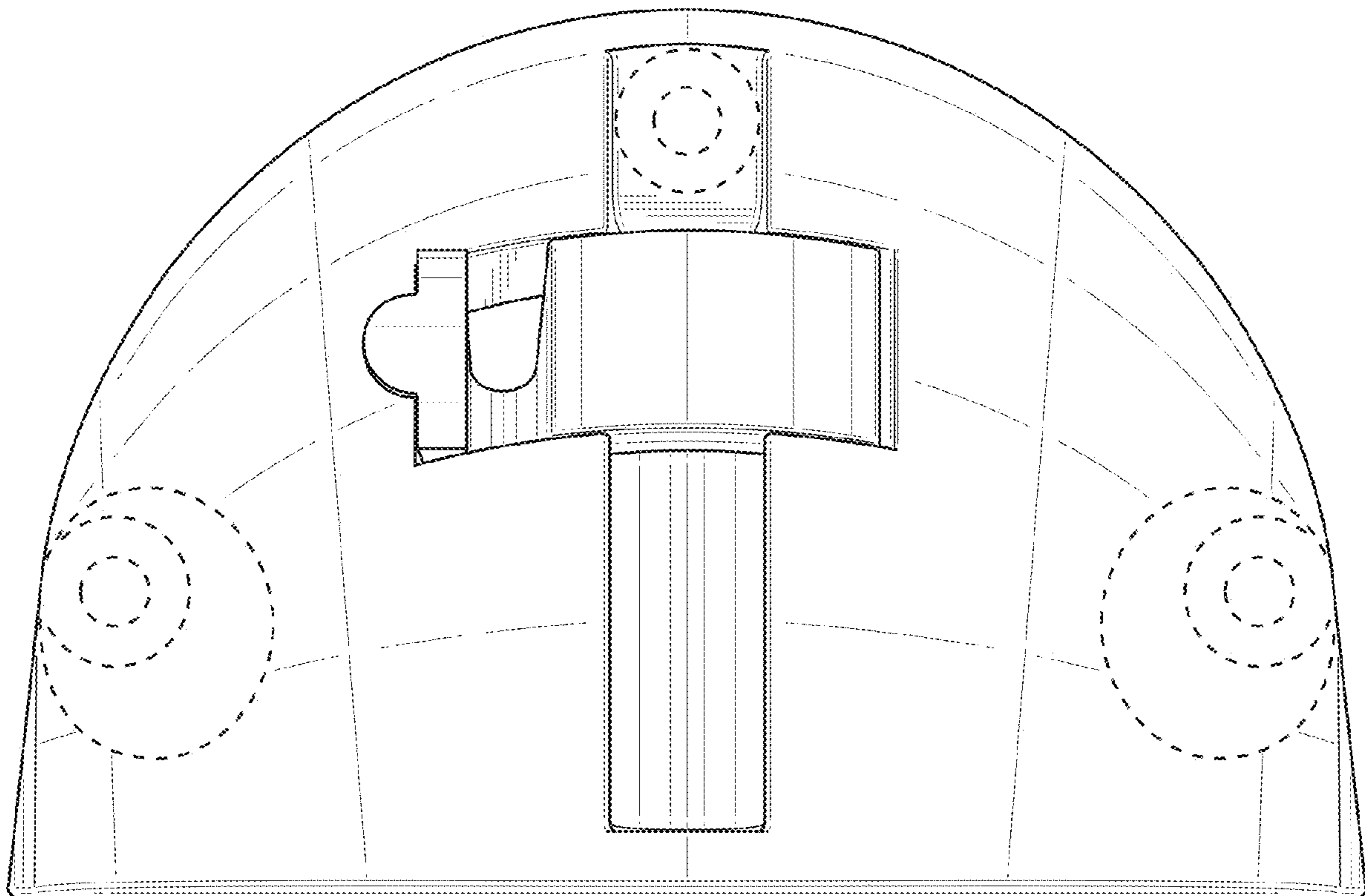


FIG. 7