



US00D878378S

(12) **United States Design Patent**
Fafard

(10) **Patent No.:** **US D878,378 S**
(45) **Date of Patent:** **** *Mar. 17, 2020**

(54) **WATERCRAFT-MOUNTED COMPUTING
DEVICE HOLDER**

(71) Applicant: **Chaparral Boats, Inc.**, Nashville, GA
(US)

(72) Inventor: **Michael J. Fafard**, Nashville, GA (US)

(73) Assignee: **Chaparral Boats, Inc.**, Nashville, GA
(US)

(*) Notice: This patent is subject to a terminal disclaimer.

(**) Term: **15 Years**

(21) Appl. No.: **29/601,581**

(22) Filed: **Apr. 24, 2017**

Related U.S. Application Data

(63) Continuation of application No. 29/552,440, filed on Jan. 22, 2016, now Pat. No. Des. 784,996, and a continuation of application No. 15/004,076, filed on Jan. 22, 2016, now abandoned.

(51) **LOC (12) Cl.** **08-07**

(52) **U.S. Cl.**
USPC **D14/447**

(58) **Field of Classification Search**
USPC D14/447, 432, 434, 439, 440, 451, 452,
D14/457, 239; D8/363, 373, 380;
D6/406.3, 406.4, 406.5, 406.6; D12/415
CPC A47B 21/04; A47B 2097/006; A47B
2097/005; A47B 2023/049; A45C
2011/002; A45C 2011/003; F16M
2200/00; F16M 13/00
See application file for complete search history.

(56) **References Cited**

U.S. PATENT DOCUMENTS

D431,250 S 9/2000 Richter
D552,611 S * 10/2007 Hagiwara D14/434

D575,786 S * 8/2008 Solomon D14/434
D586,795 S * 2/2009 Richter D14/253
D599,801 S * 9/2009 Skaf D14/434
7,650,230 B1 1/2010 Laverick
D626,129 S 10/2010 Lutz
D692,013 S 10/2013 Crysell
D709,511 S 7/2014 Sparks
D713,828 S 9/2014 Stifal
D714,793 S * 10/2014 Kim D14/447
8,867,198 B2 10/2014 Steele
8,870,137 B2 10/2014 Jacobson

(Continued)

Primary Examiner — Angela J Lee

(74) *Attorney, Agent, or Firm* — Fish & Richardson P.C.

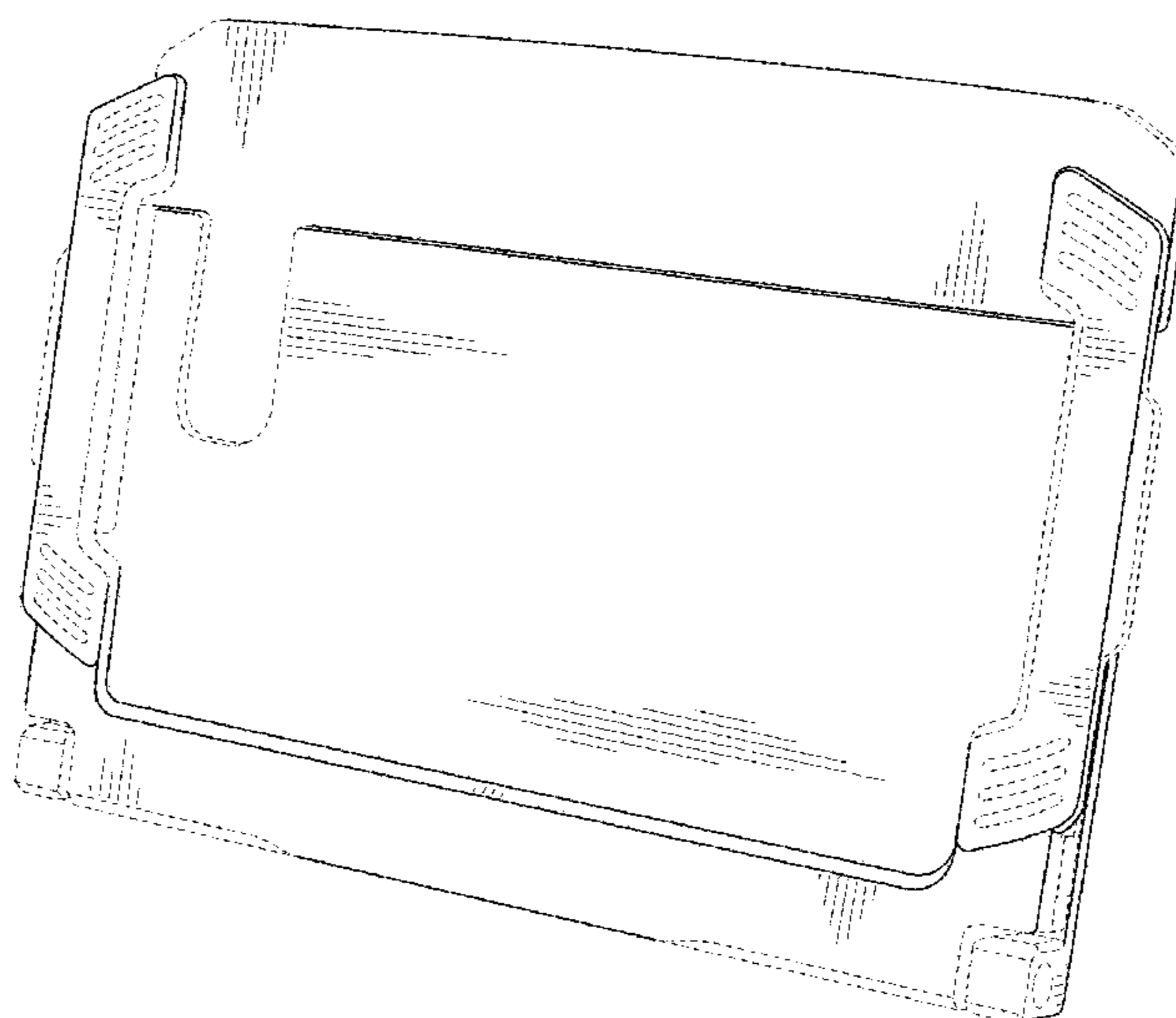
(57) **CLAIM**

The ornamental design for a watercraft-mounted computing device holder, substantially as shown and described.

DESCRIPTION

FIG. 1 is a perspective view of a watercraft-mounted computing device holder.
FIG. 2 is a front view of the watercraft-mounted computing device holder of FIG. 1.
FIG. 3 is a back view of the watercraft-mounted computing device holder of FIG. 1.
FIG. 4 is a left side view of the watercraft-mounted computing device holder of FIG. 1.
FIG. 5 is a right side view of the watercraft-mounted computing device holder of FIG. 1.
FIG. 6 is a top view of the watercraft-mounted computing device holder of FIG. 1; and,
FIG. 7 is a bottom view of the watercraft-mounted computing device holder of FIG. 1.
The broken lines illustrating portions of the watercraft-mounted computing device holder represent the boundary of the claimed design. The broken lines form no part of the claimed design.

1 Claim, 5 Drawing Sheets



(56)

References Cited

U.S. PATENT DOCUMENTS

D720,358	S	12/2014	Ginsterblum	
9,032,130	B2	5/2015	Aldana	
D731,490	S *	6/2015	Kim	D14/434
D732,545	S	6/2015	Apter	
D733,155	S	6/2015	Van Hooft	
D742,383	S *	11/2015	Zheng	D14/434
D742,886	S *	11/2015	Zheng	D14/434
D746,292	S	12/2015	Heckler	
D751,431	S	3/2016	Browning	
D751,563	S *	3/2016	Wengreen	D14/447
D752,596	S	3/2016	Choi	
D765,063	S *	8/2016	Wengreen	D14/238.1
D765,064	S	8/2016	Wengreen	
D771,052	S *	11/2016	Zheng	D14/434
D777,167	S *	1/2017	Wengreen	D14/447
D784,996	S *	4/2017	Fafard	D14/447
2007/0271583	A1	11/2007	Chen	
2010/0183170	A1	7/2010	Shen	
2013/0174660	A1	7/2013	Imasaka	
2013/0256478	A1	10/2013	Reda	
2014/0223065	A1	8/2014	Jolda	

* cited by examiner

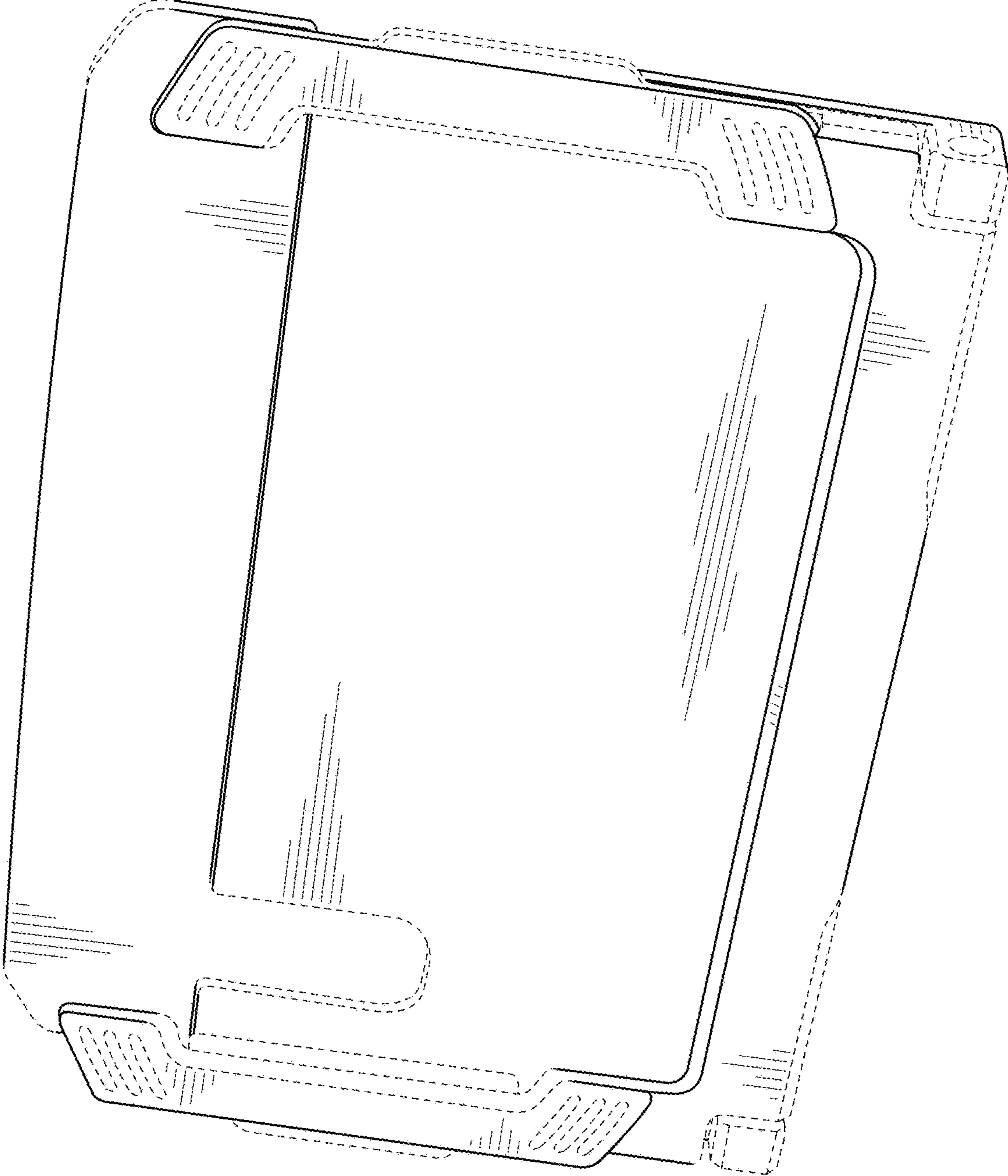


FIG. 1



FIG. 2

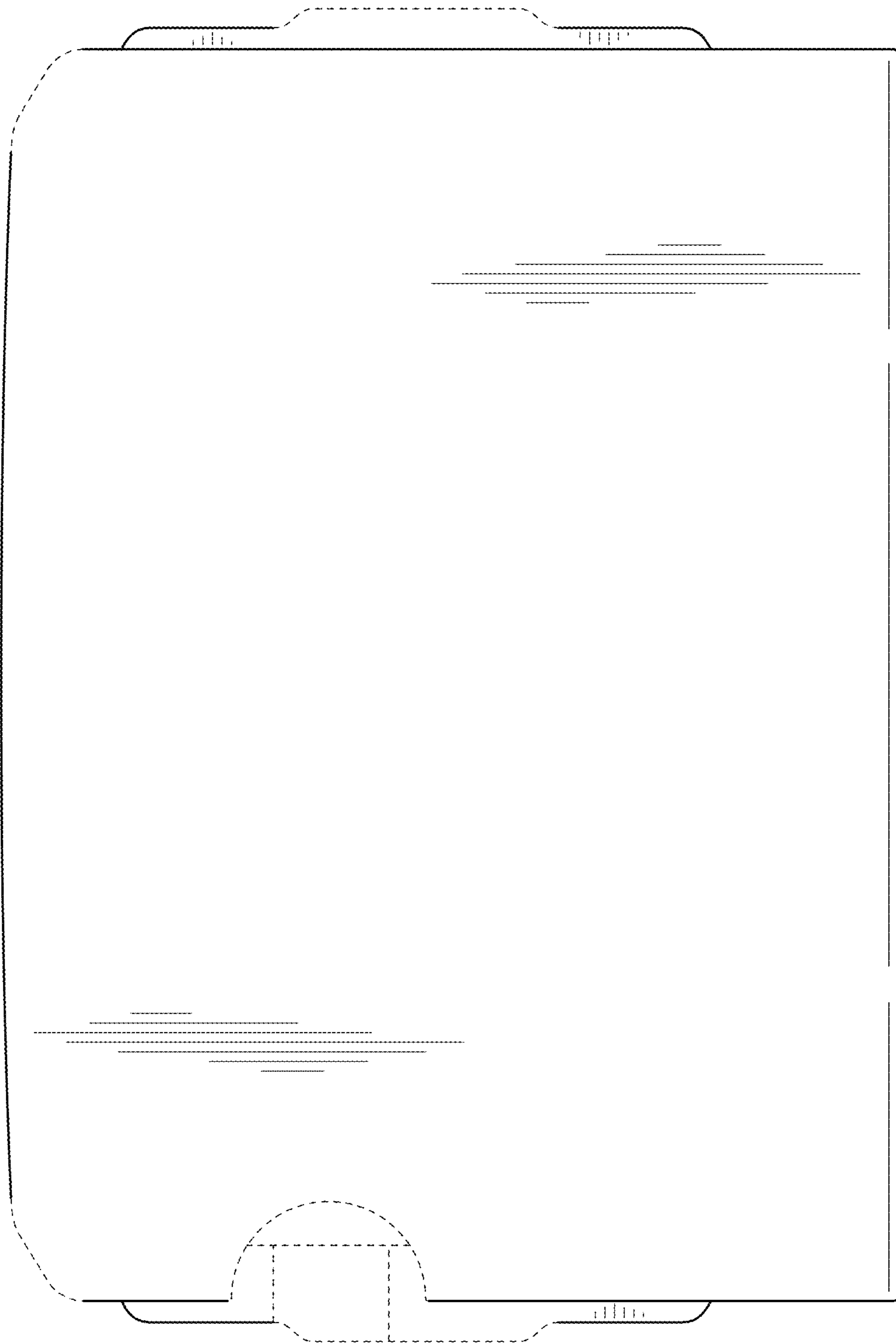


FIG. 3

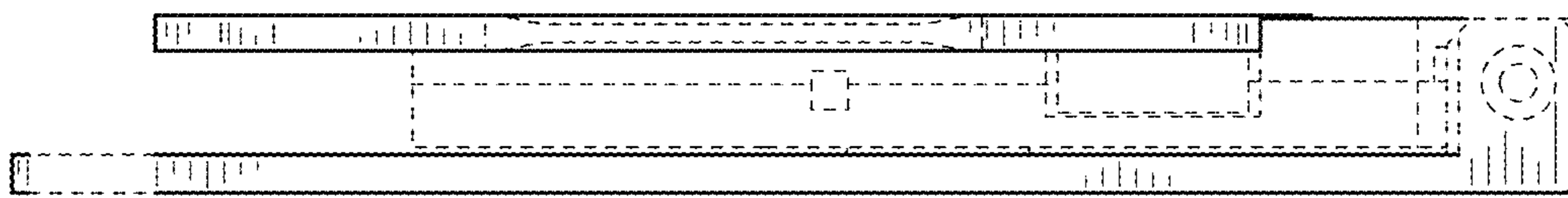


FIG. 5

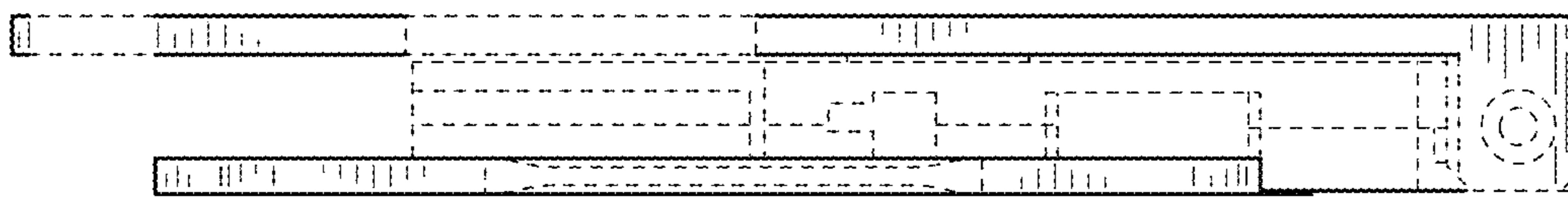


FIG. 4

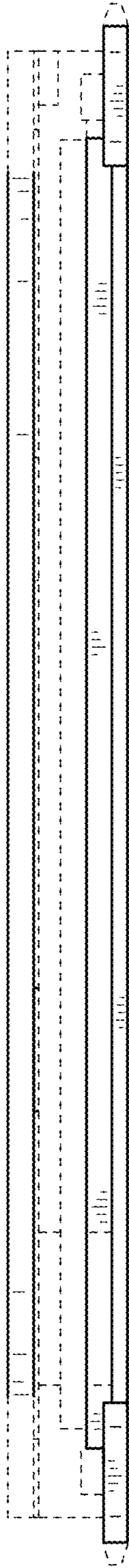


FIG. 6

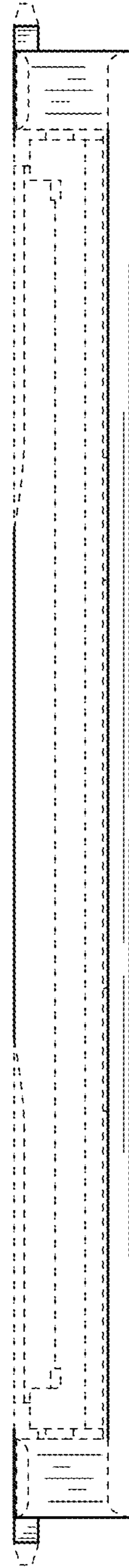


FIG. 7