



US00D878373S

(12) **United States Design Patent**
Zhang et al.

(10) **Patent No.:** **US D878,373 S**
(45) **Date of Patent:** **** Mar. 17, 2020**

(54) **CARD READER**

(71) Applicant: **Ugreen Group Limited**, Shenzhen (CN)

(72) Inventors: **Qingsen Zhang**, Shenzhen (CN);
Junling Chen, Shenzhen (CN); **Long Luo**, Shenzhen (CN)

(**) Term: **15 Years**

(21) Appl. No.: **29/659,809**

(22) Filed: **Aug. 13, 2018**

(30) **Foreign Application Priority Data**

Apr. 21, 2018 (CN) 2018 3 0168114

(51) **LOC (12) Cl.** **14-02**

(52) **U.S. Cl.**
USPC **D14/433**

(58) **Field of Classification Search**
USPC D14/240, 242, 356, 358, 363, 365, 367,
D14/370, 432-437, 439, 498, 125, 366,
D14/168, 496; D13/147, 164, 123, 133,
D13/146, 110, 199, 103, 162, 159, 160,
D13/184; 361/683, 684, 686, 724, 735,
361/737, 752; D18/40
CPC H01R 25/006; H01R 27/02; H01R 31/005;
G06F 13/4022; G06F 13/382; G06F
1/1632; G06F 1/1684; G06F 1/20; G06F
1/1607
See application file for complete search history.

(56) **References Cited**

U.S. PATENT DOCUMENTS

D689,858 S * 9/2013 Lo D14/357
D750,083 S * 2/2016 Chow D14/434

D800,730 S * 10/2017 Liao D14/433
D807,290 S * 1/2018 Liao D13/110
D813,875 S * 3/2018 Liao D14/434
D828,355 S * 9/2018 Xie D14/433
D828,839 S * 9/2018 Zhang D14/433
D828,841 S * 9/2018 Zhang D14/433
D830,366 S * 10/2018 Turksu D14/433
D838,241 S * 1/2019 Xie D13/108
D839,876 S * 2/2019 Turksu D14/435.1
D847,139 S * 4/2019 Wang D14/433
D854,019 S * 7/2019 Liao D14/434
D854,020 S * 7/2019 Liao D14/434
D854,544 S * 7/2019 Liao D14/434
D855,054 S * 7/2019 Turksu D14/433
D855,616 S * 8/2019 Chin D14/433

* cited by examiner

Primary Examiner — Austin Murphy
(74) *Attorney, Agent, or Firm* — ZANIP

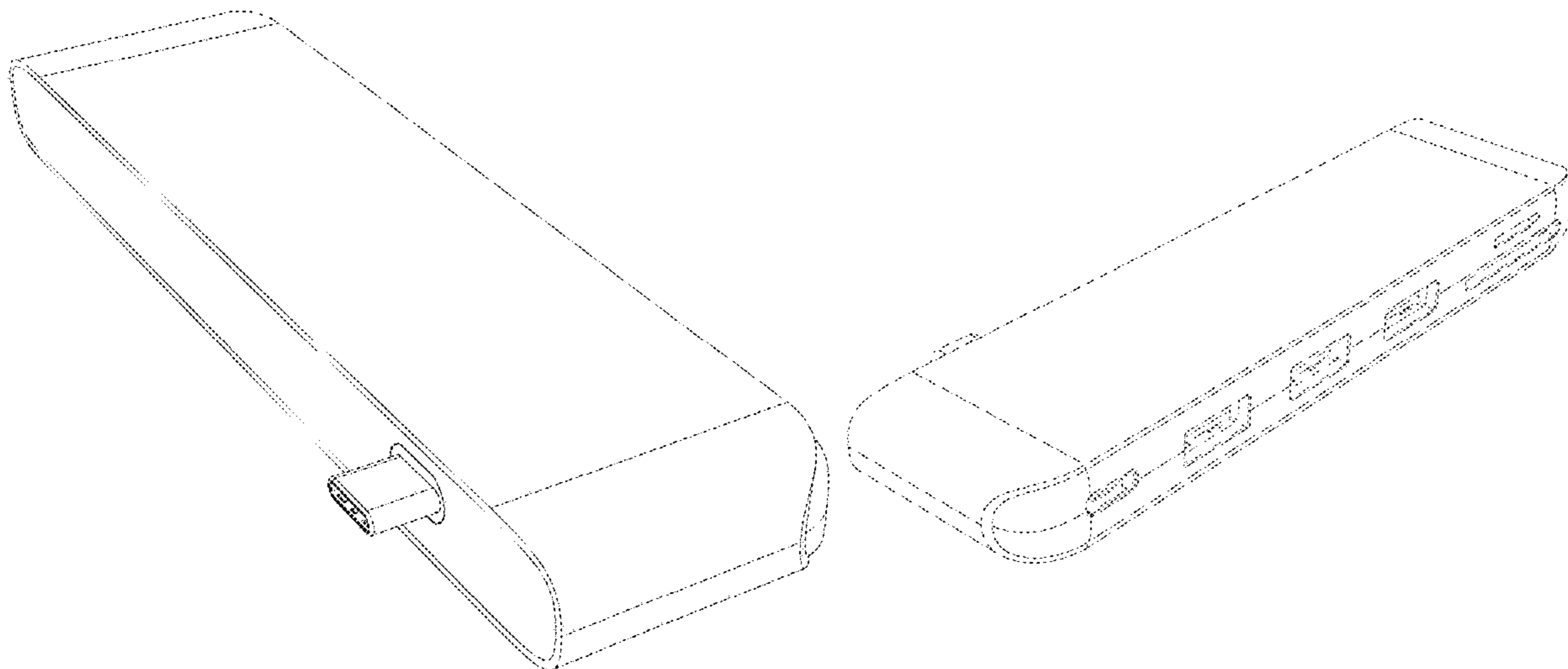
(57) **CLAIM**

The ornamental design for a card reader, as shown and described.

DESCRIPTION

FIG. 1 is a Right Perspective view of a card reader showing our new design;
FIG. 2 is a Left Perspective view thereof;
FIG. 3 is a Front elevational view thereof;
FIG. 4 is a Rear elevational view thereof;
FIG. 5 is a Right side view thereof;
FIG. 6 is a Left side view thereof;
FIG. 7 is a Top plan view thereof; and,
FIG. 8 is a Bottom plan view thereof.
The broken lines in the drawing depict portions of card reader that form no part of the claimed design.

1 Claim, 8 Drawing Sheets



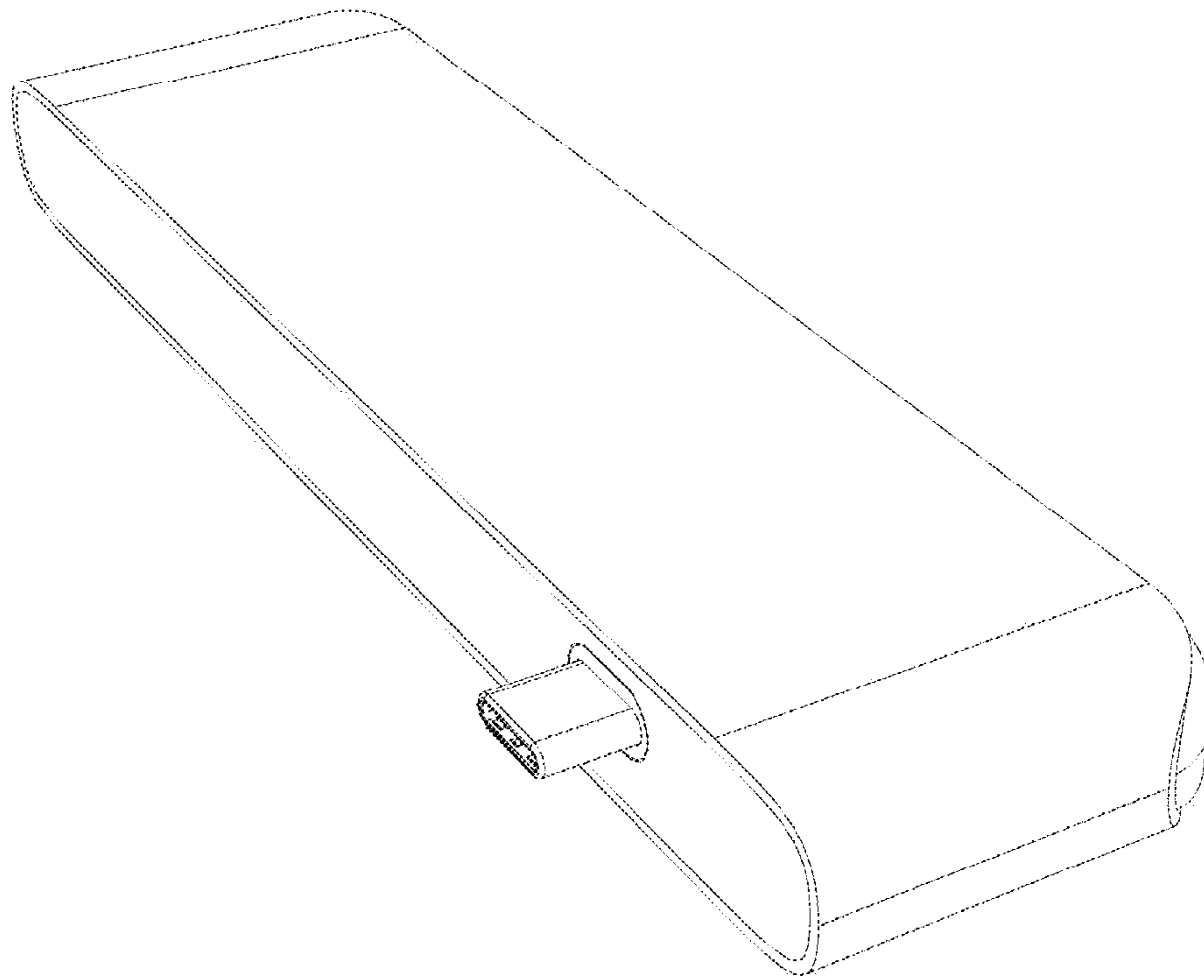


Fig. 1

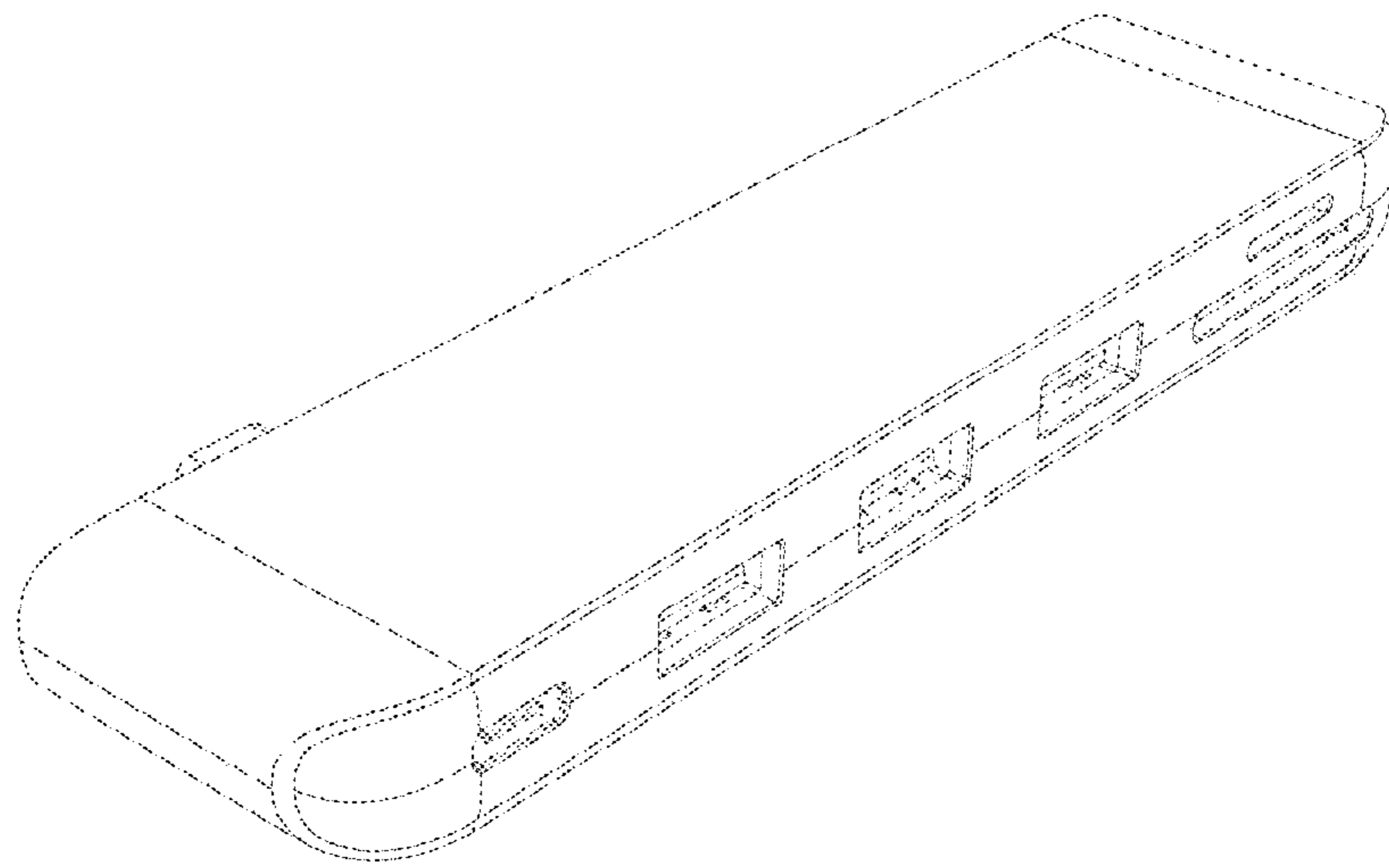


Fig. 2

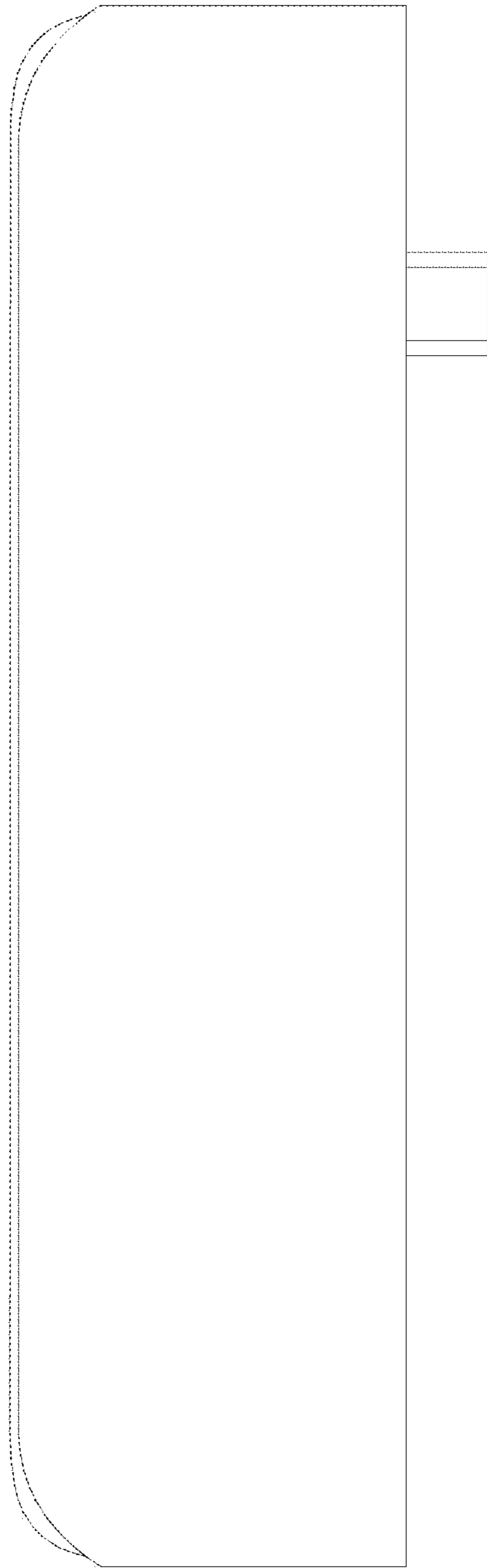


Fig. 3

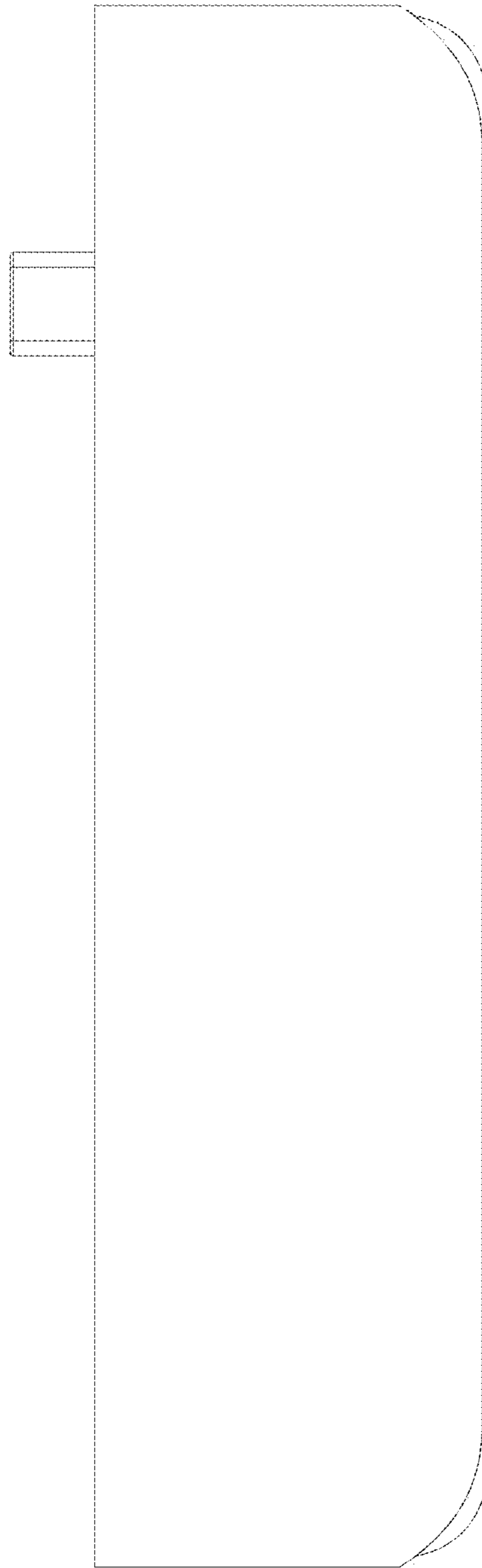


Fig. 4

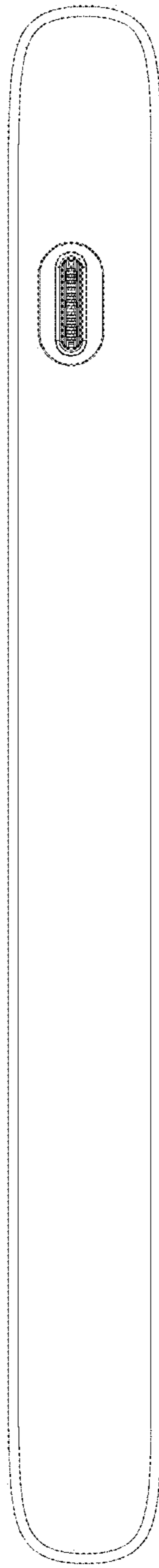


Fig. 5

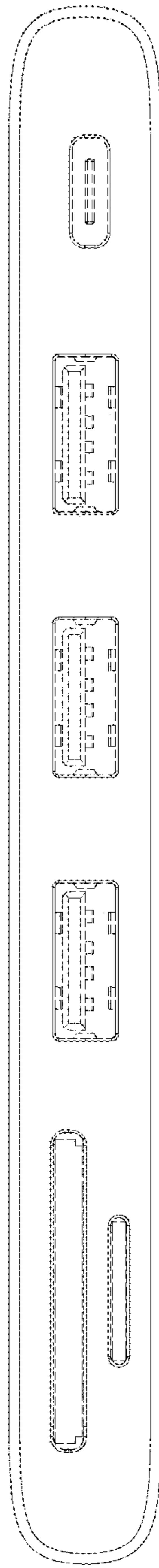


Fig. 6



Fig. 7

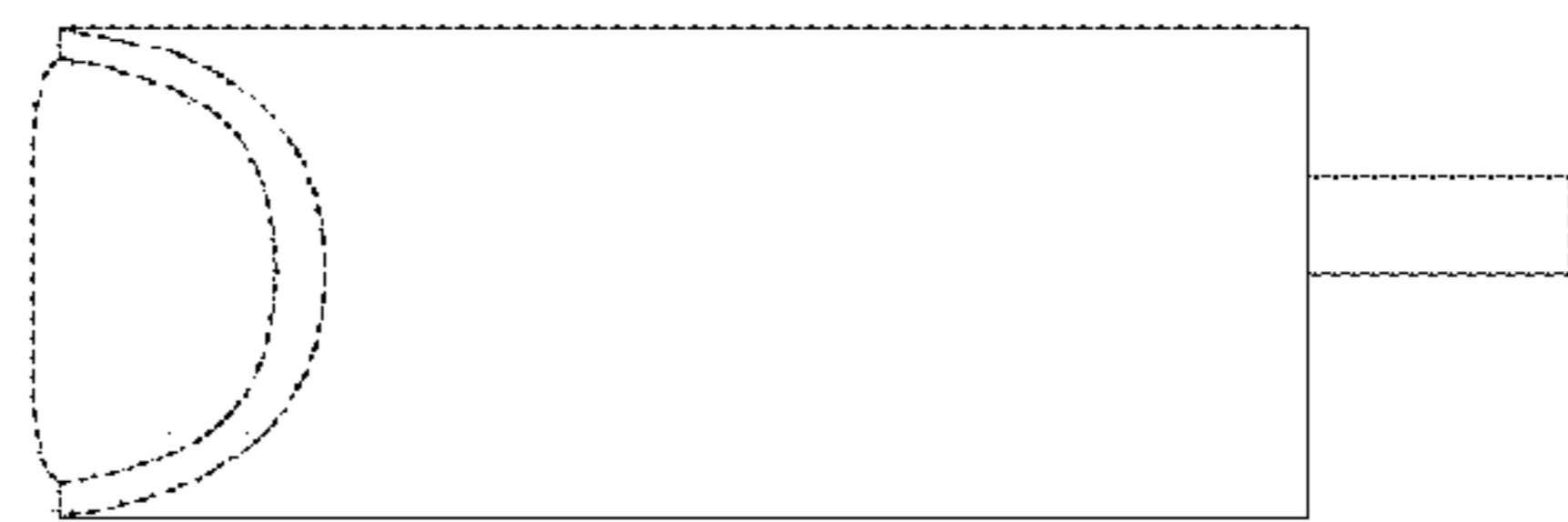


Fig. 8