



US00D878369S

(12) **United States Design Patent**
Kim

(10) **Patent No.:** **US D878,369 S**

(45) **Date of Patent:** **** Mar. 17, 2020**

(54) **COMPUTER MOUSE**

(71) Applicant: **Dong Il Kim**, Namyangju-si (KR)

(72) Inventor: **Dong Il Kim**, Namyangju-si (KR)

(**) Term: **15 Years**

(21) Appl. No.: **29/666,959**

(22) Filed: **Oct. 17, 2018**

(30) **Foreign Application Priority Data**

Aug. 20, 2018 (KR) 30-2018-0038558

(51) **LOC (12) Cl.** **14-02**

(52) **U.S. Cl.**
USPC **D14/409**

(58) **Field of Classification Search**
USPC D14/402-411, 356, 388, 389, 383-385,
D14/417, 426; 345/156-167; 463/36-38;
358/471, 473; 273/148 B
CPC G06F 3/03543; G06F 2203/0333; G06F
3/039; G06F 3/038; G06F 2203/0384
See application file for complete search history.

(56) **References Cited**

U.S. PATENT DOCUMENTS

D712,903 S * 9/2014 Lai D14/409
D716,813 S * 11/2014 Deng D14/409
D739,406 S * 9/2015 Jost D14/409

D744,485 S * 12/2015 Young D14/409
D793,394 S * 8/2017 Li D14/409
D794,638 S * 8/2017 Zheng D14/409
D821,400 S * 6/2018 Pang D14/409
D833,436 S * 11/2018 Pate D14/409
D834,022 S * 11/2018 Gleeson D14/409
D834,577 S * 11/2018 Odgers D14/409
D835,105 S * 12/2018 Liu D14/409
D858,524 S * 9/2019 Pate D14/409
D868,785 S * 12/2019 Liu D14/409

* cited by examiner

Primary Examiner — Austin Murphy

(74) *Attorney, Agent, or Firm* — Rabin & Berdo, P.C.

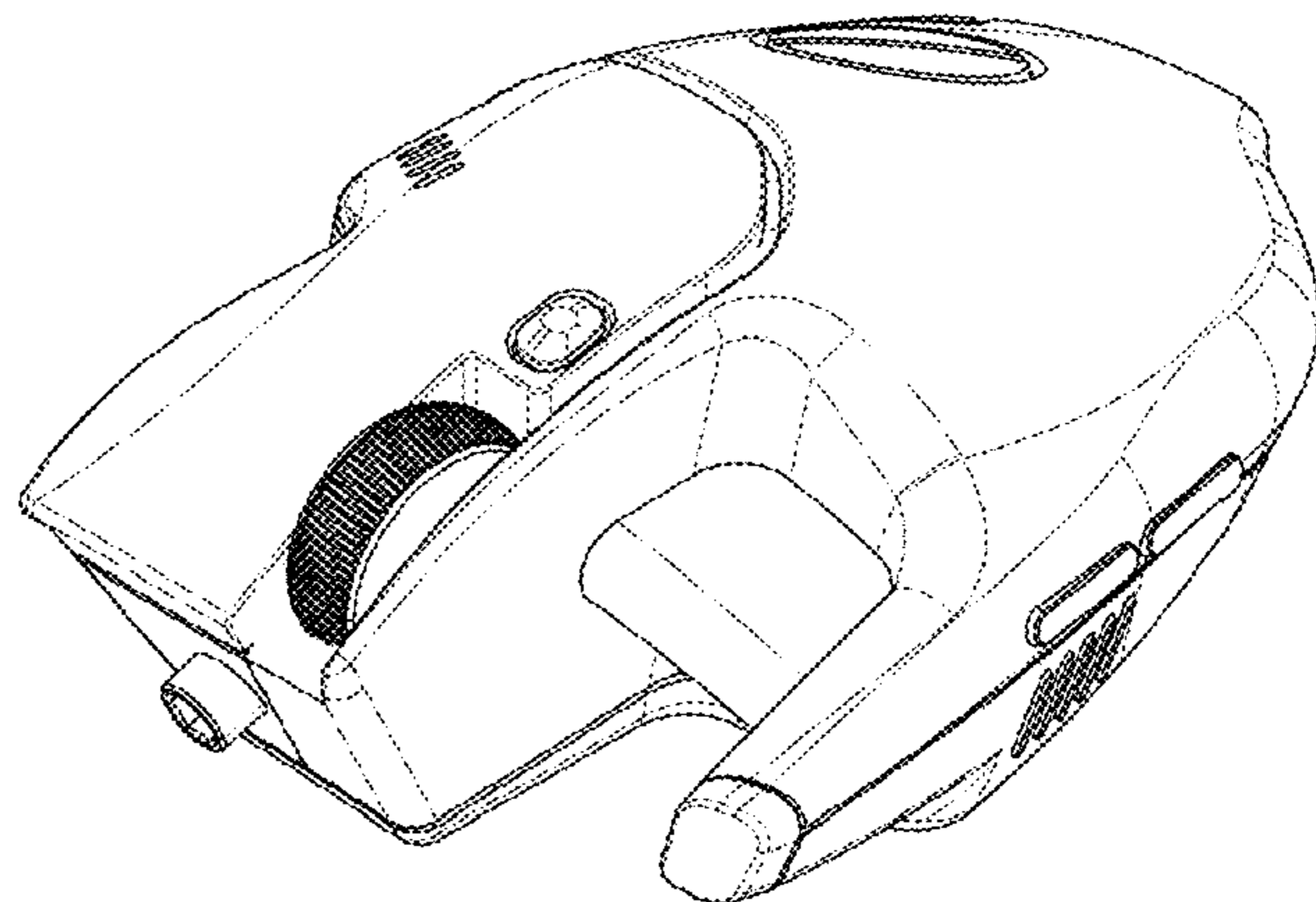
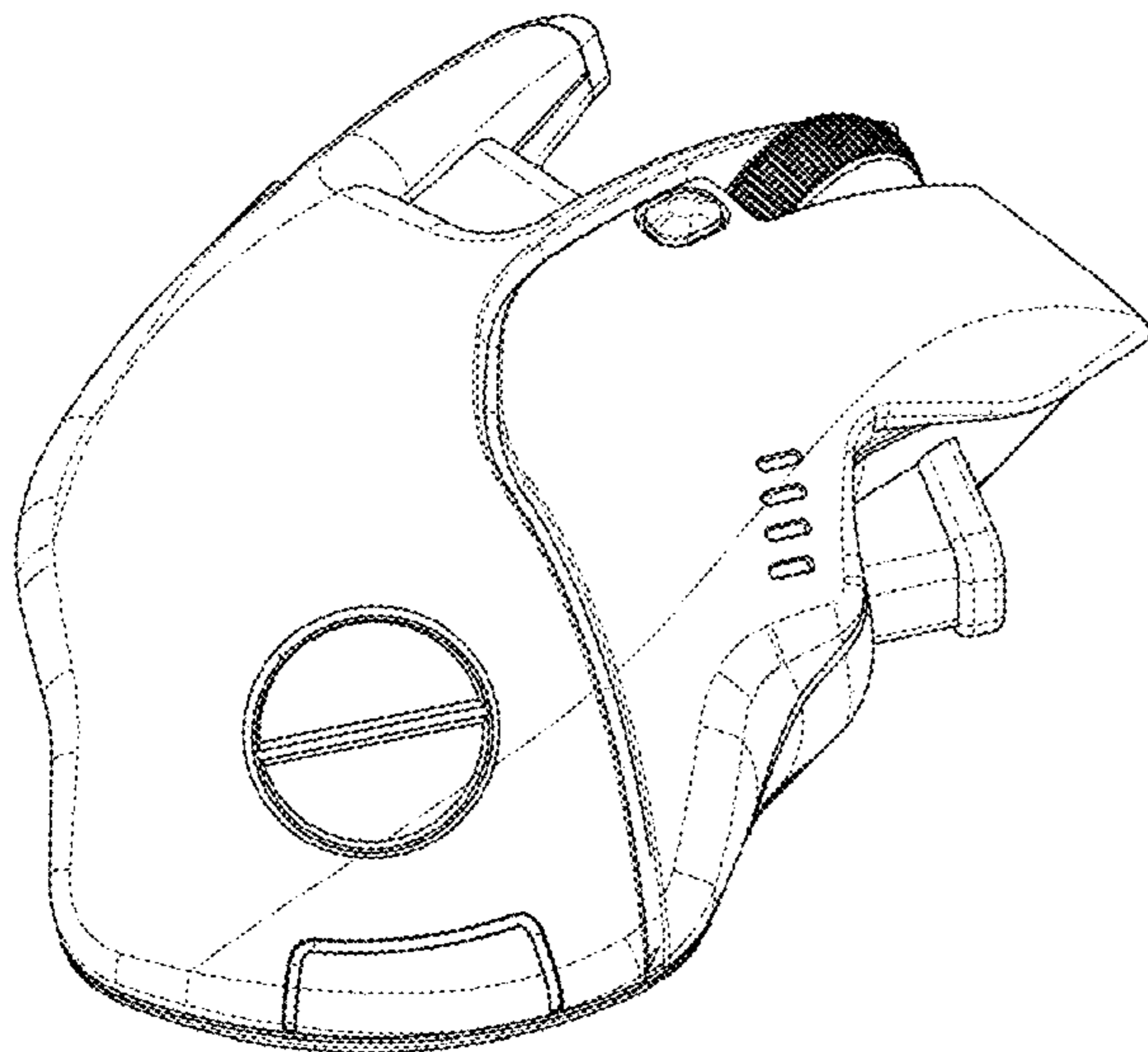
(57) **CLAIM**

The ornamental design for a computer mouse, as shown and described.

DESCRIPTION

FIG. 1 is a perspective view of a computer mouse;
FIG. 2 is a left side perspective view thereof;
FIG. 3 is a rear perspective view thereof;
FIG. 4 is a right side perspective view thereof;
FIG. 5 is a bottom perspective view thereof;
FIG. 6 is a front view thereof;
FIG. 7 is a rear view thereof;
FIG. 8 is a left side view thereof;
FIG. 9 is a right side view thereof;
FIG. 10 is a top view thereof; and,
FIG. 11 is a bottom view thereof.

1 Claim, 9 Drawing Sheets



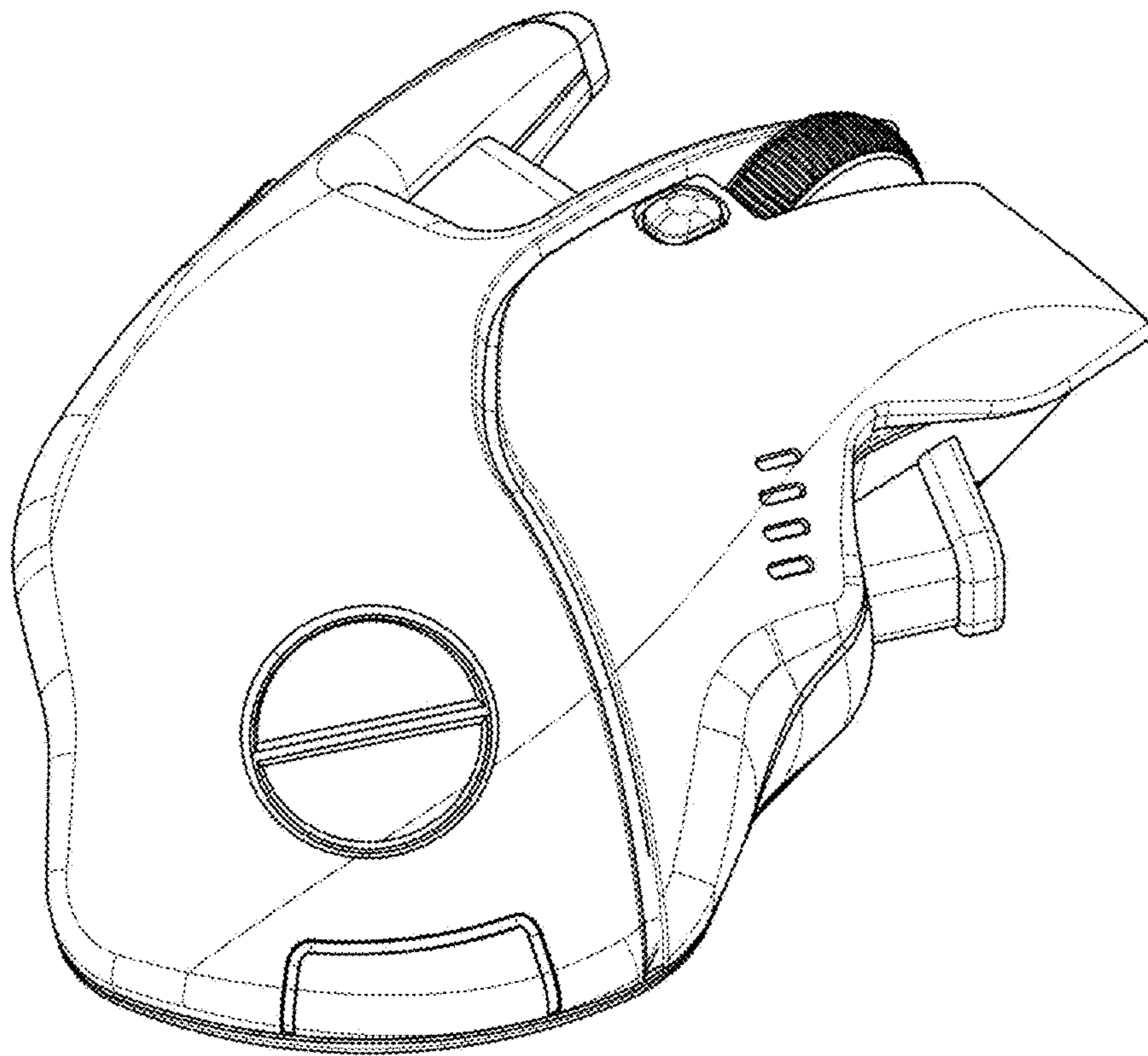


FIG. 1

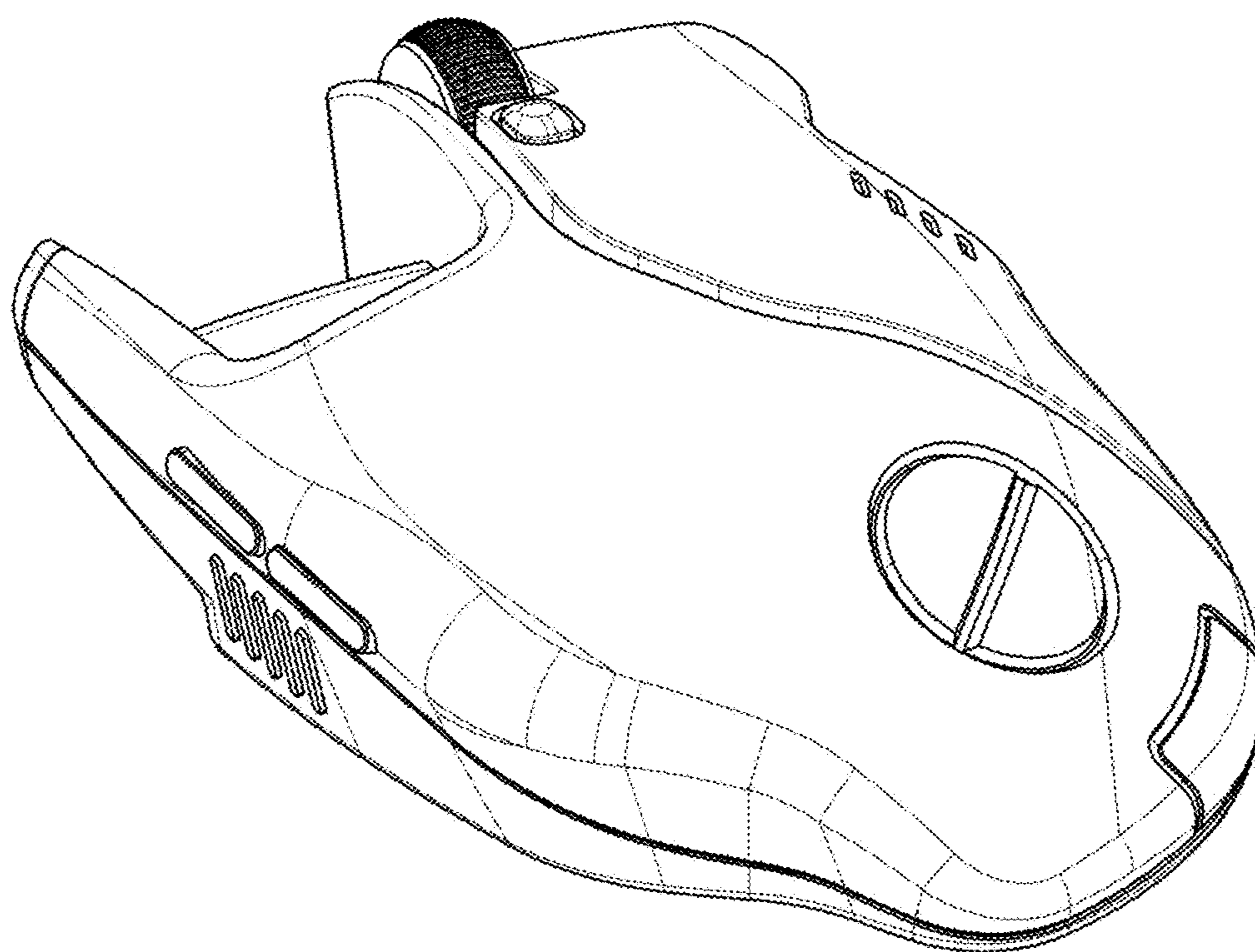


FIG. 2

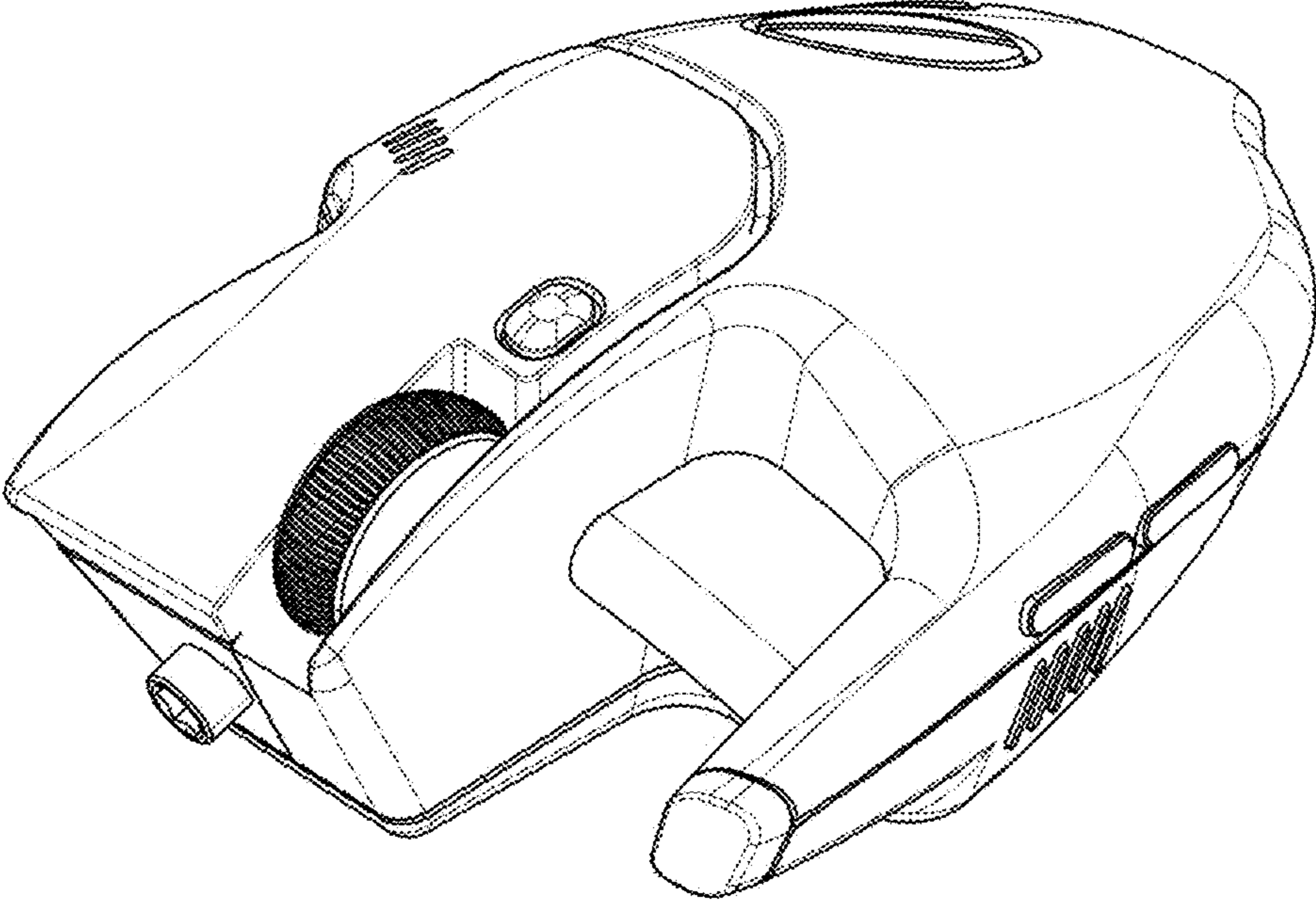


FIG. 3

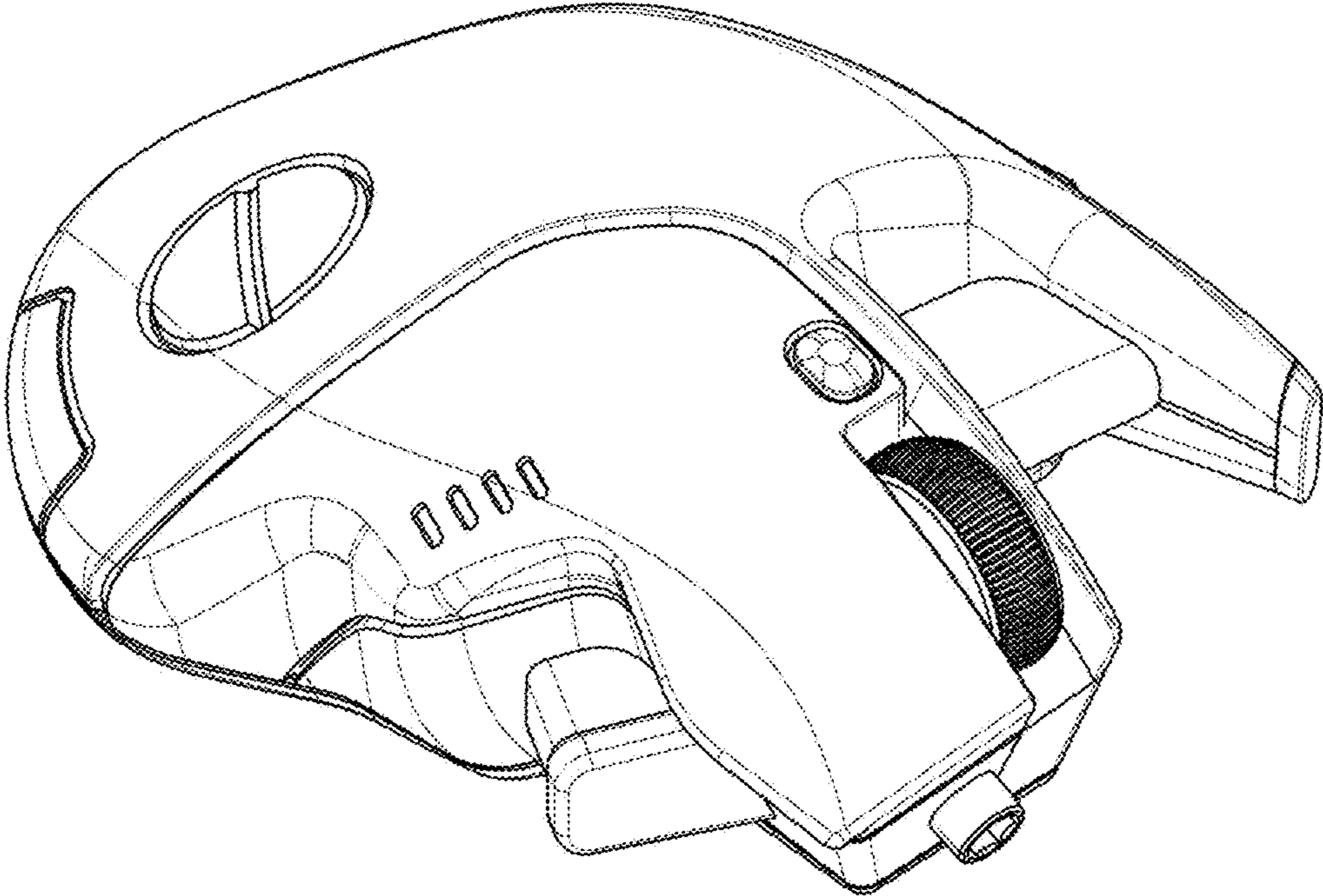


FIG. 4

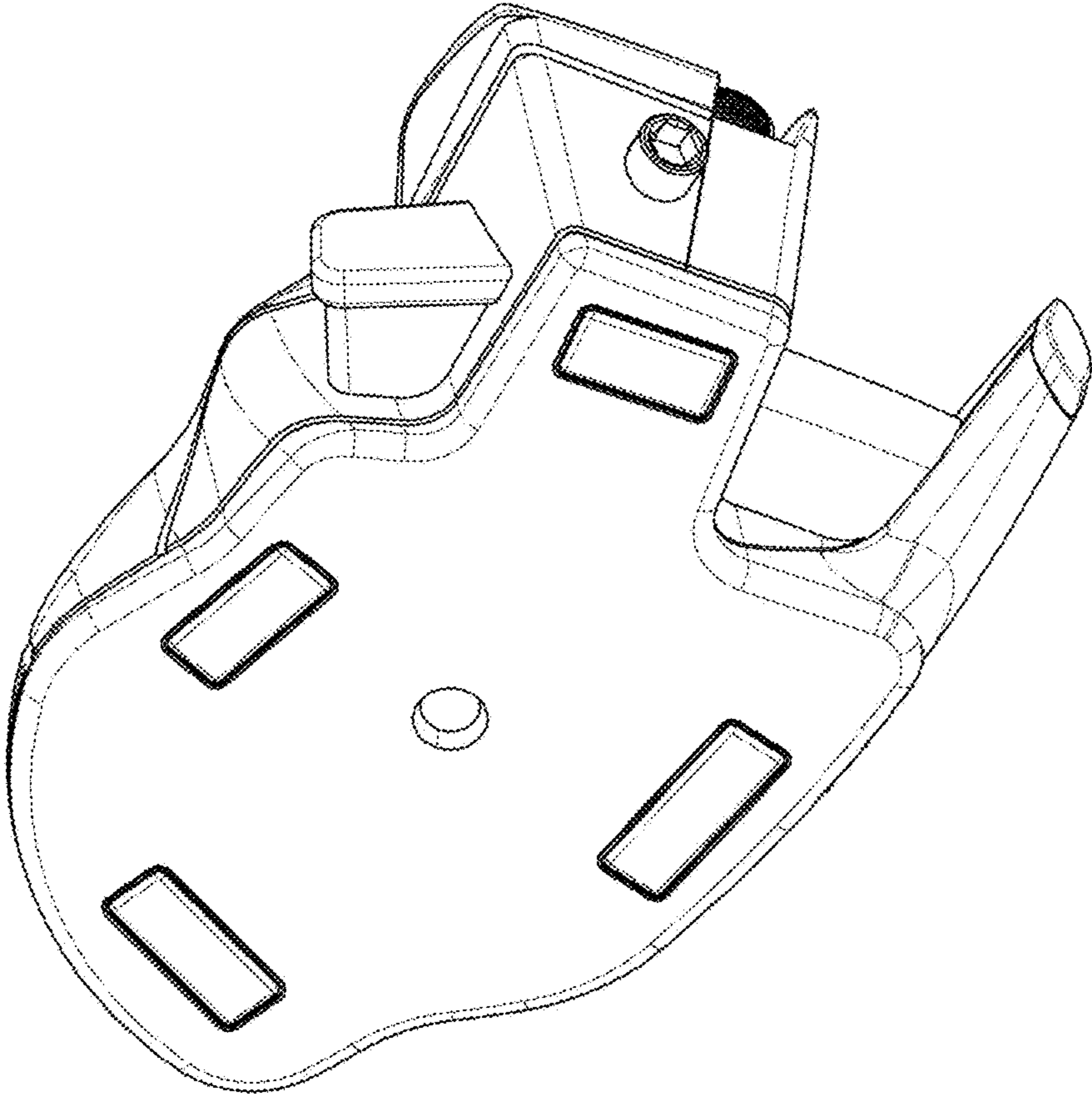


FIG. 5

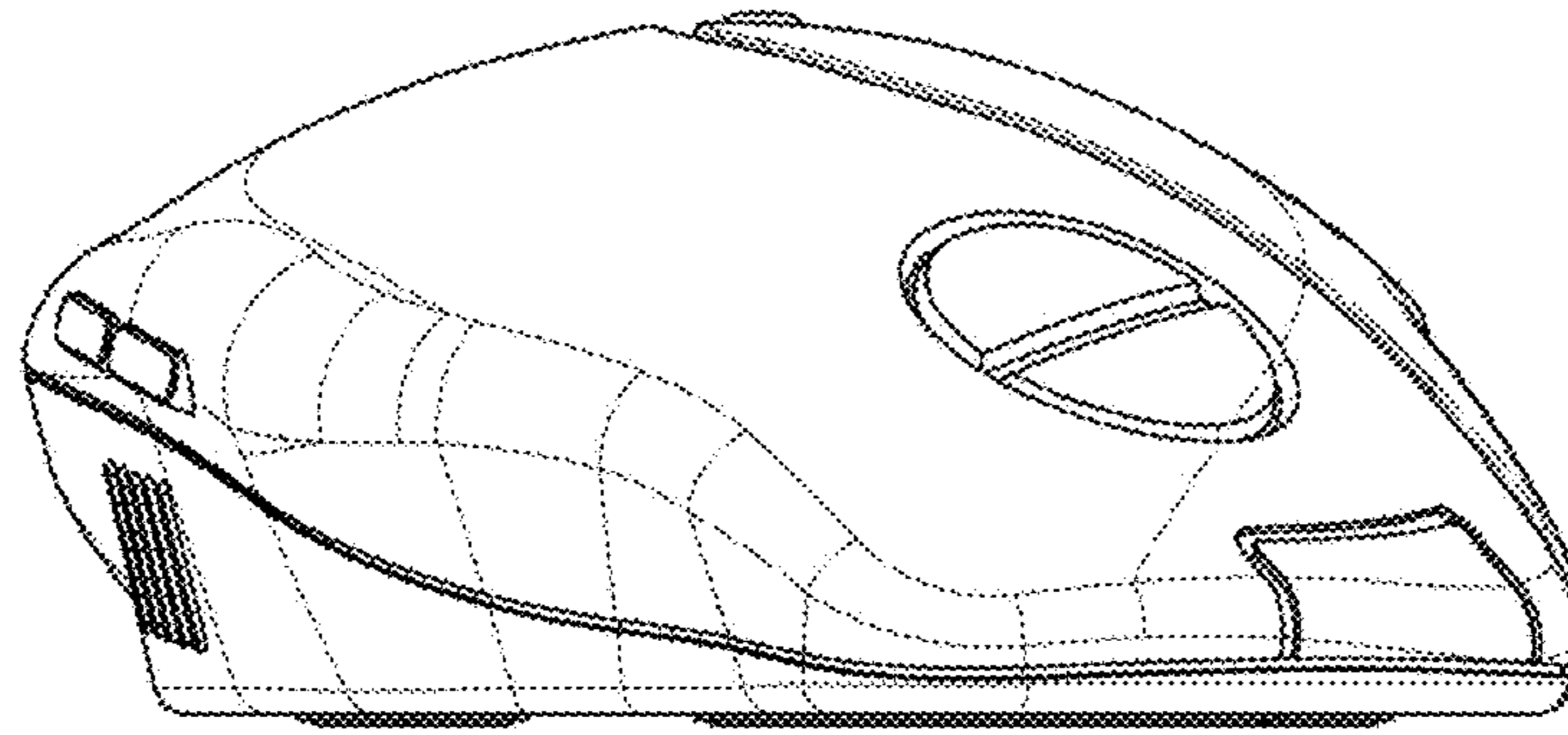


FIG. 6

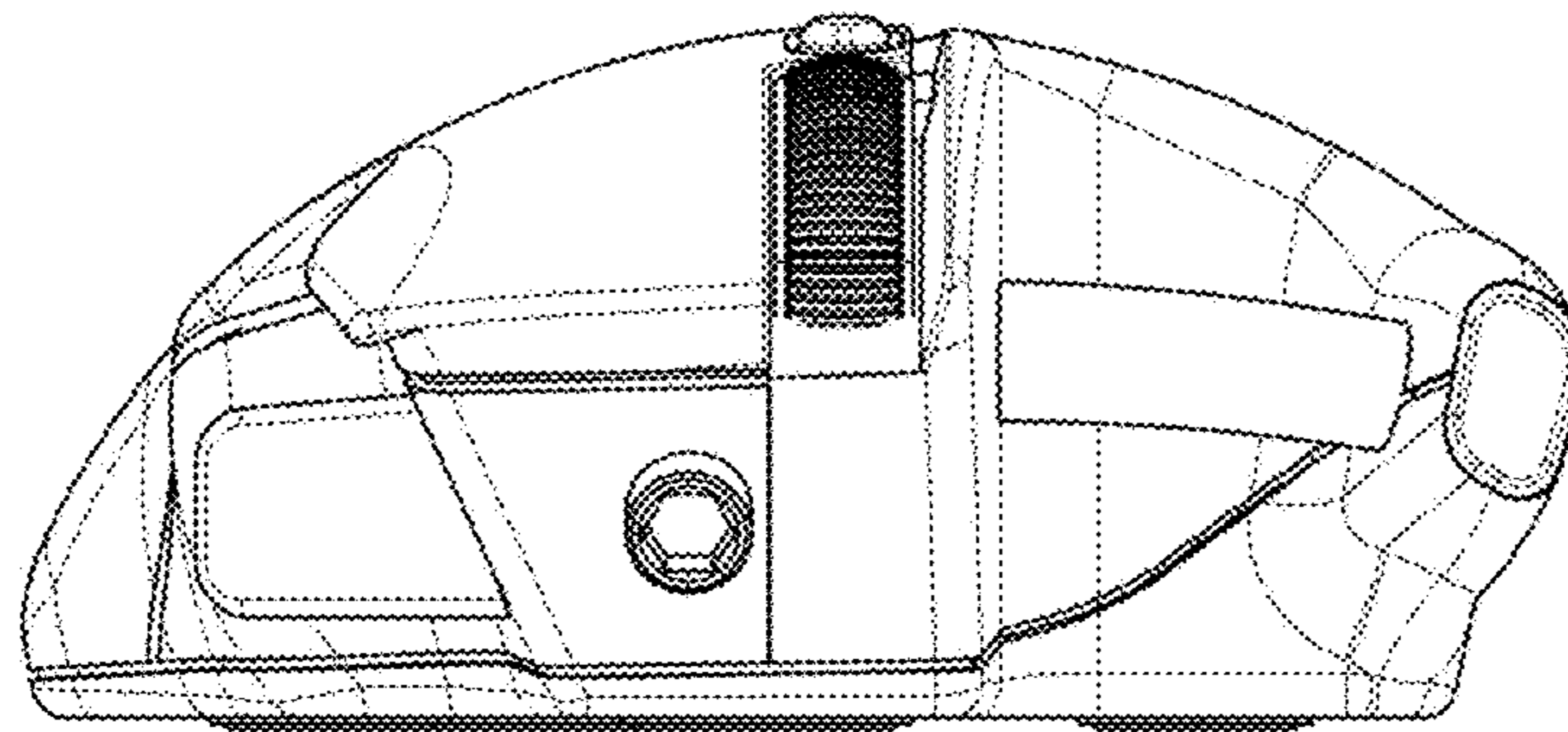


FIG. 7

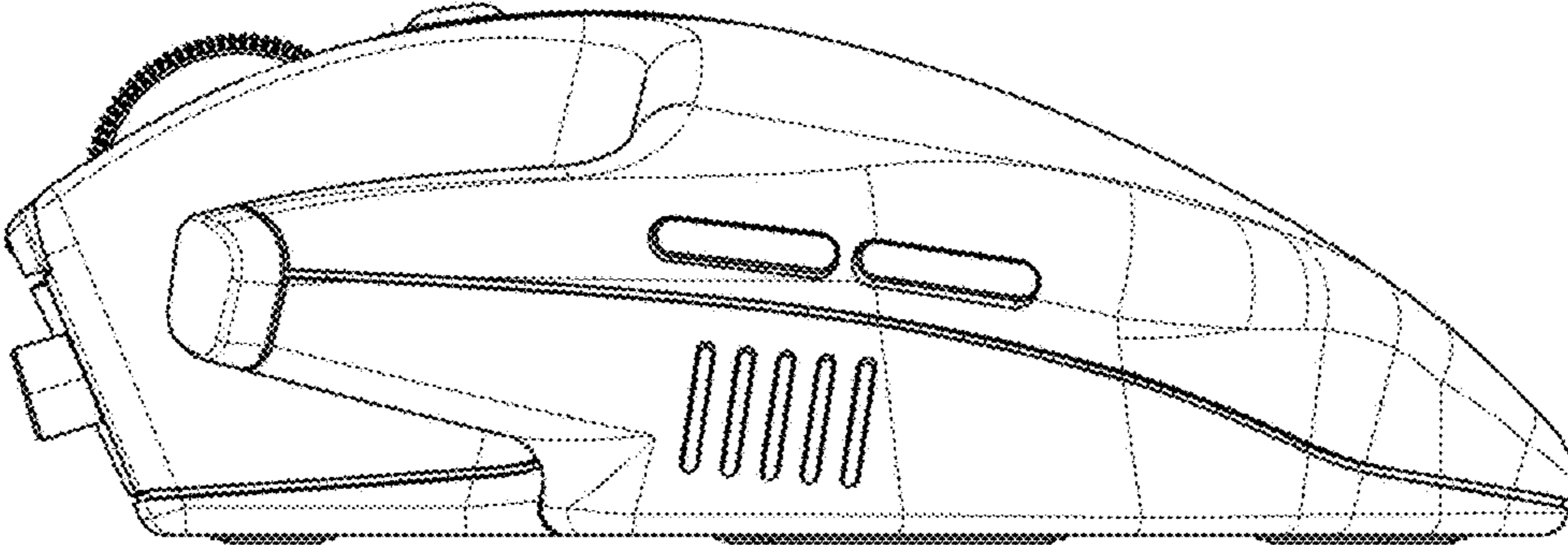


FIG. 8

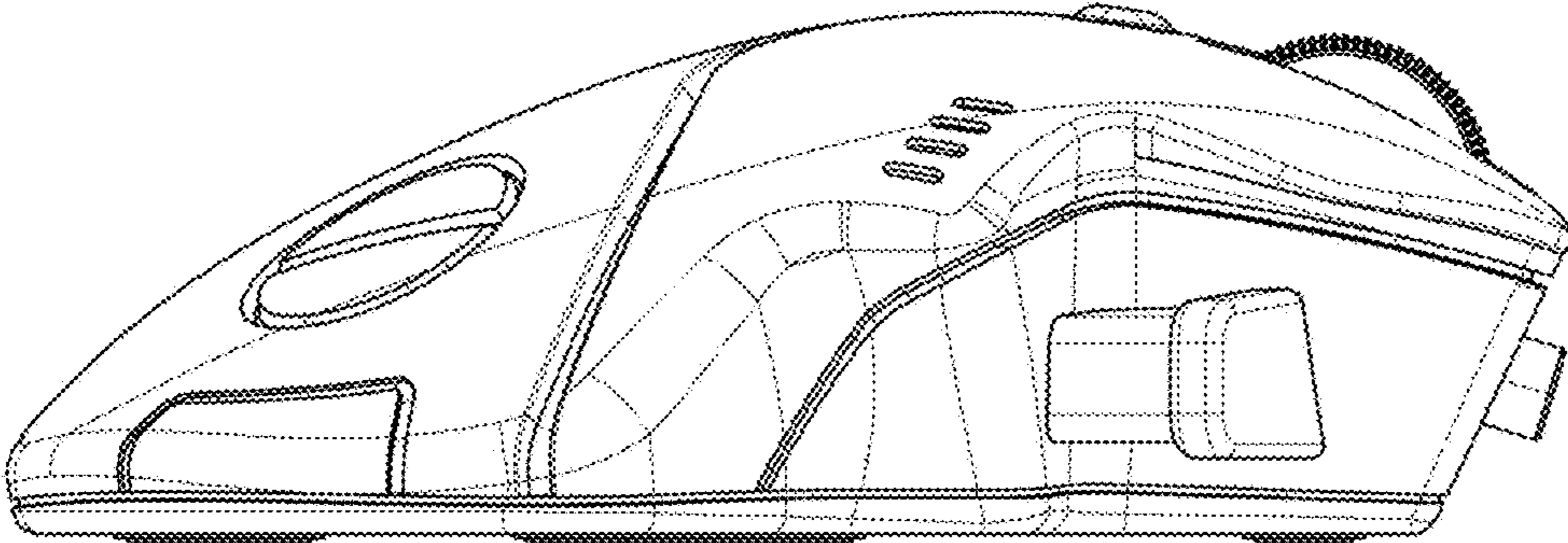


FIG. 9

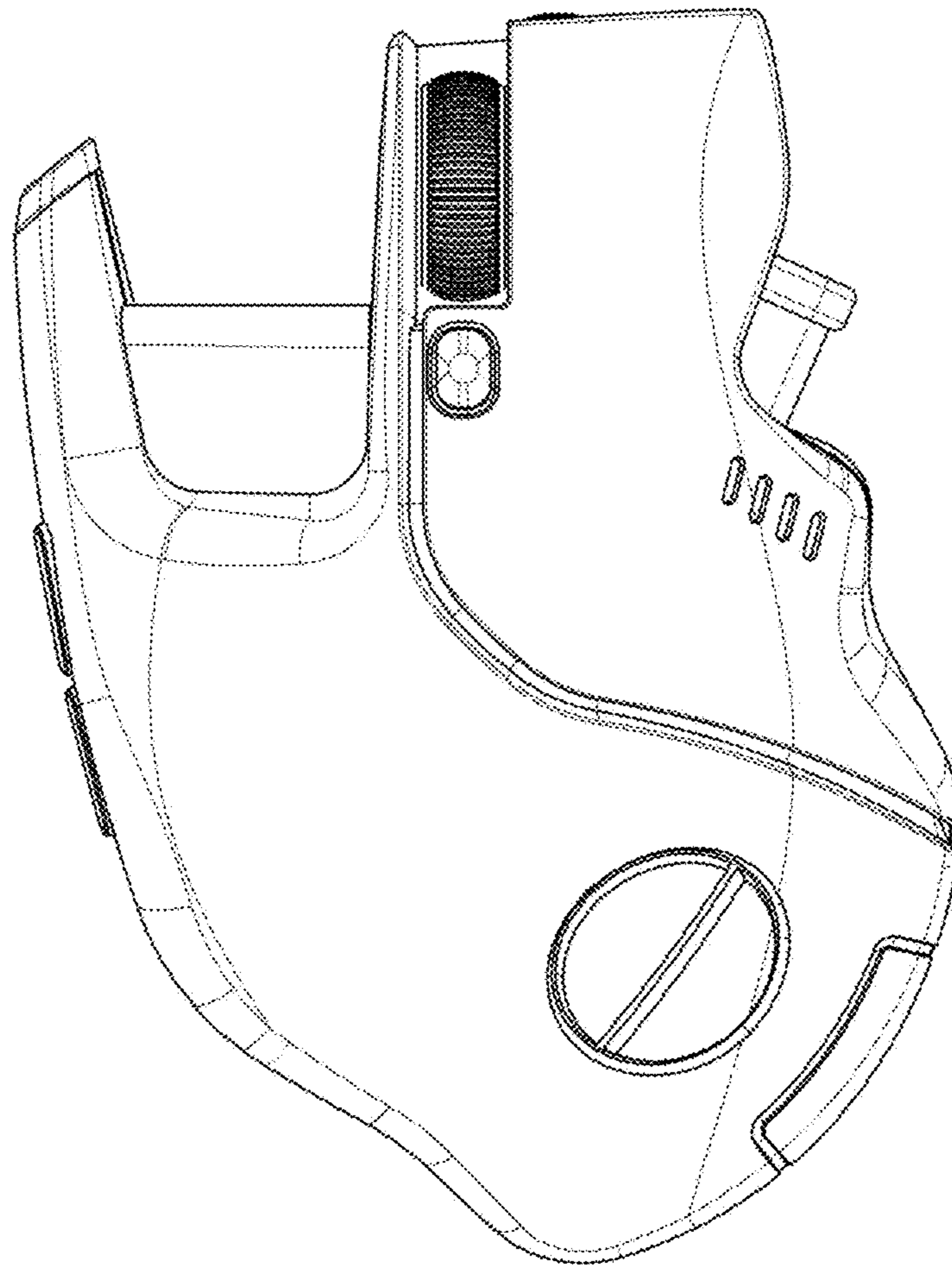


FIG. 10

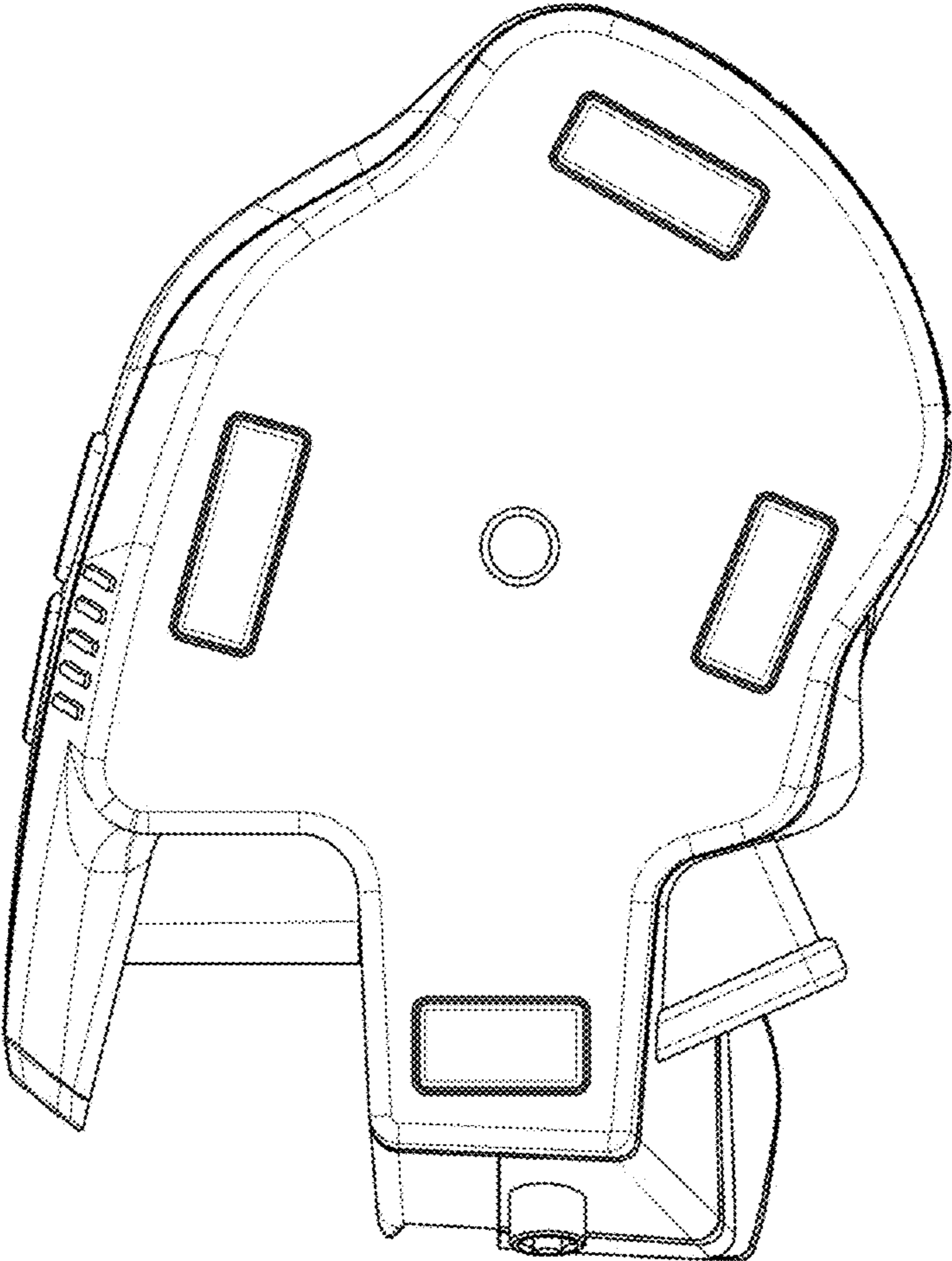


FIG. 11