



US00D878368S

(12) **United States Design Patent**
Zhan

(10) **Patent No.:** **US D878,368 S**
(45) **Date of Patent:** **** Mar. 17, 2020**

- (54) **MOUSE (JYH-MX107)**
- (71) Applicant: **SHENZHEN JIA YI HONG ELECTRONIC CO., LTD.**, Baoan District of Shenzhen (CN)
- (72) Inventor: **Fengxiong Zhan**, Shenzhen (CN)
- (73) Assignee: **SHENZHEN JIA YI HONG ELECTRONIC CO., LTD.**, Shenzhen (CN)
- (**) Term: **15 Years**
- (21) Appl. No.: **29/673,622**
- (22) Filed: **Dec. 17, 2018**
- (51) **LOC (12) Cl.** **14-02**
- (52) **U.S. Cl.**
USPC **D14/408**
- (58) **Field of Classification Search**
USPC D14/402-411, 356, 388, 389, 383-385, D14/417, 426; 345/156-167; 463/36-38; 358/471, 473; 273/148 B
CPC G06F 3/03543; G06F 2203/0333; G06F 3/039; G06F 3/038; G06F 2203/0384
See application file for complete search history.

- D513,258 S * 12/2005 Huang D14/408
- D513,259 S * 12/2005 Chen D14/402
- D651,604 S * 1/2012 Fischer D14/408
- D689,494 S * 9/2013 Widiaman D14/408
- D725,111 S * 3/2015 Jeong D14/408
- D737,274 S * 8/2015 Kuo D14/408
- D738,884 S * 9/2015 Zheng D14/408
- D798,865 S * 10/2017 Cheung D14/408
- D863,302 S * 10/2019 Cheung D14/408

* cited by examiner

Primary Examiner — Austin Murphy

- (56) **References Cited**
U.S. PATENT DOCUMENTS
D483,765 S * 12/2003 Ma D14/408
D491,184 S * 6/2004 Shimizu D14/402

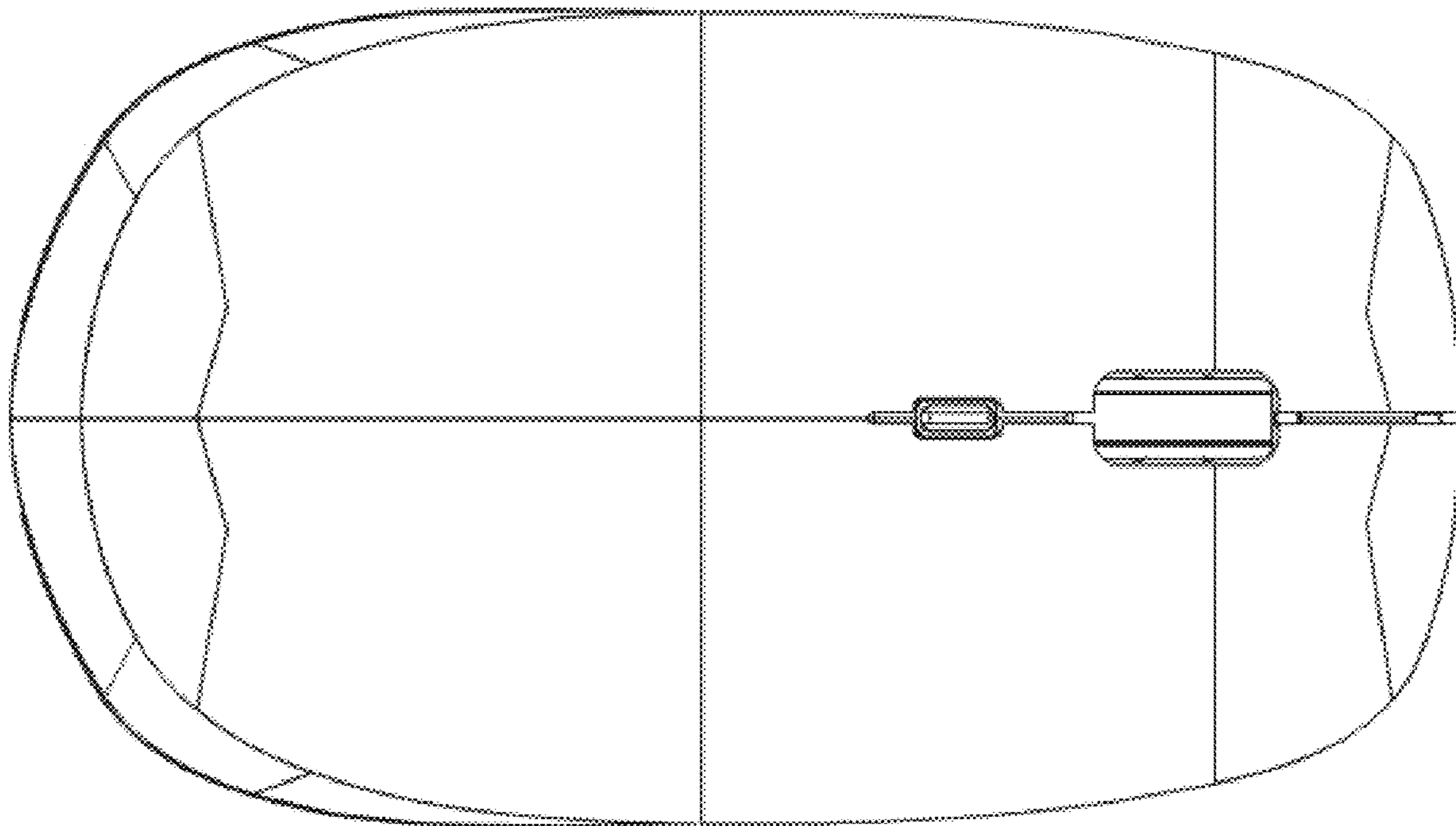
(57) **CLAIM**

The ornamental design for a mouse (JYH-MX107), as shown and described.

DESCRIPTION

FIG. 1 is a front view of a mouse (JYH-MX107), showing my new design;
 FIG. 2 is a back perspective view thereof;
 FIG. 3 is a left view thereof;
 FIG. 4 is a right view thereof;
 FIG. 5 is a top side view thereof; and,
 FIG. 6 is a bottom side view thereof.

1 Claim, 6 Drawing Sheets



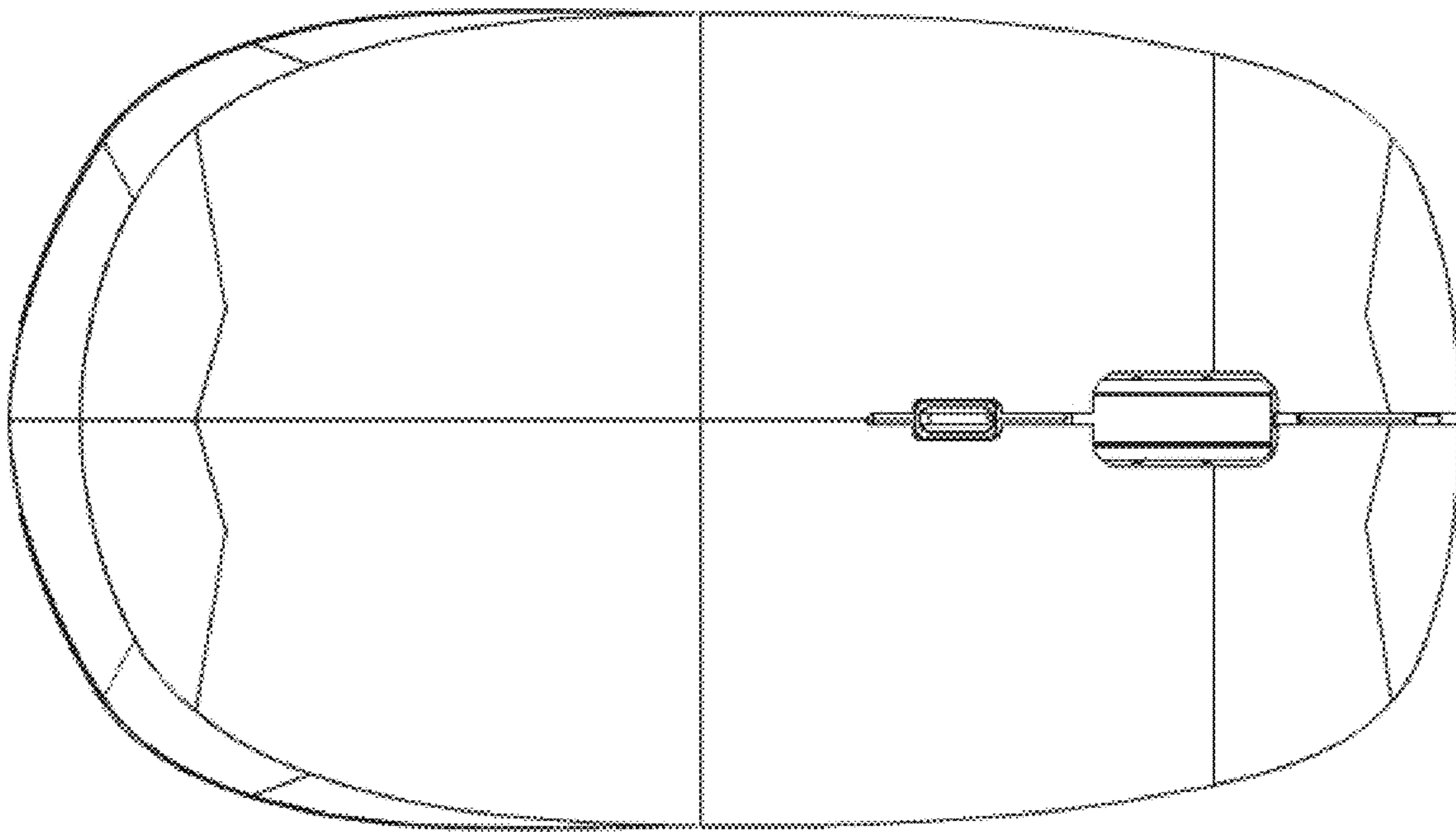


FIG. 1

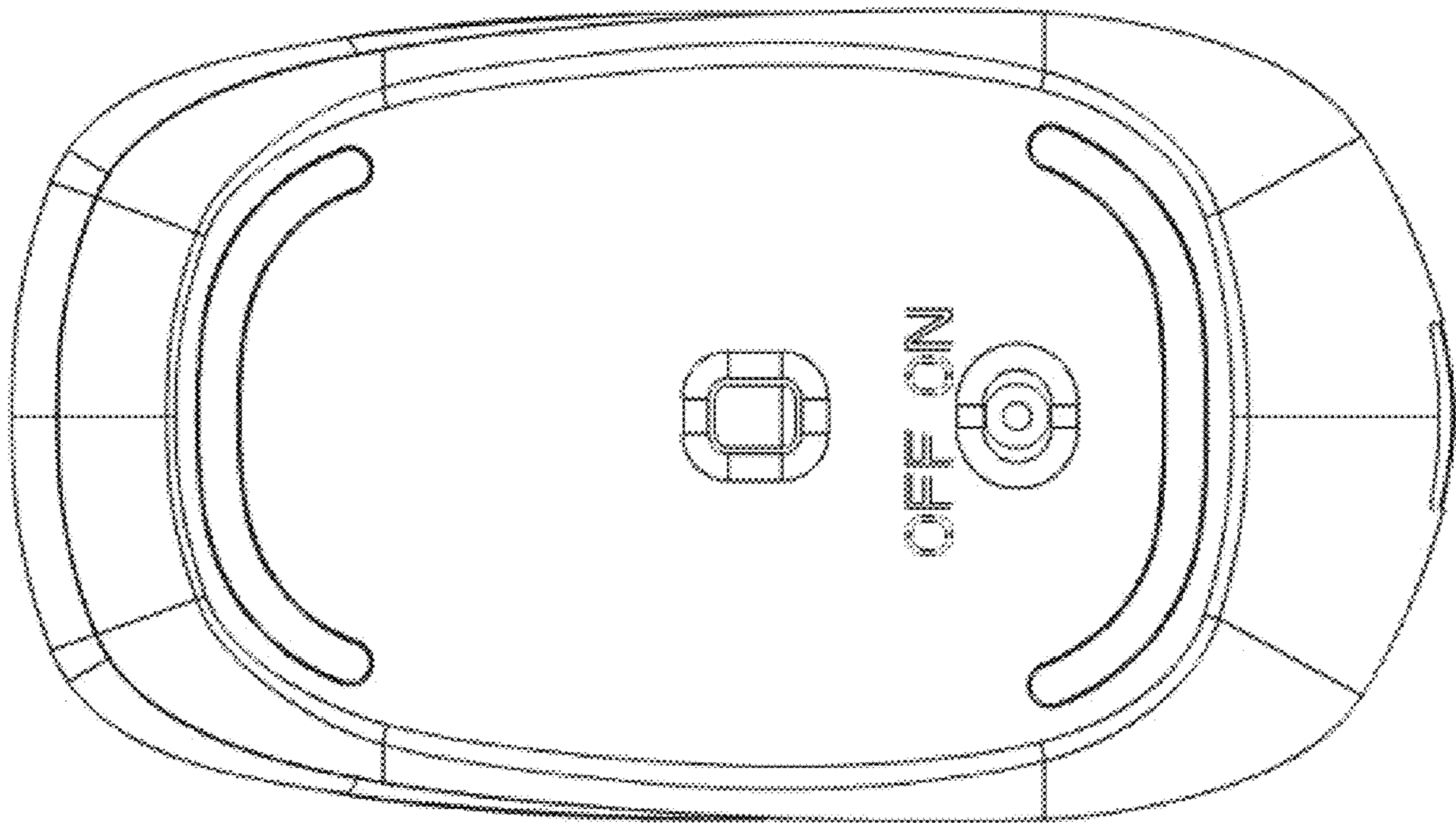


FIG. 2

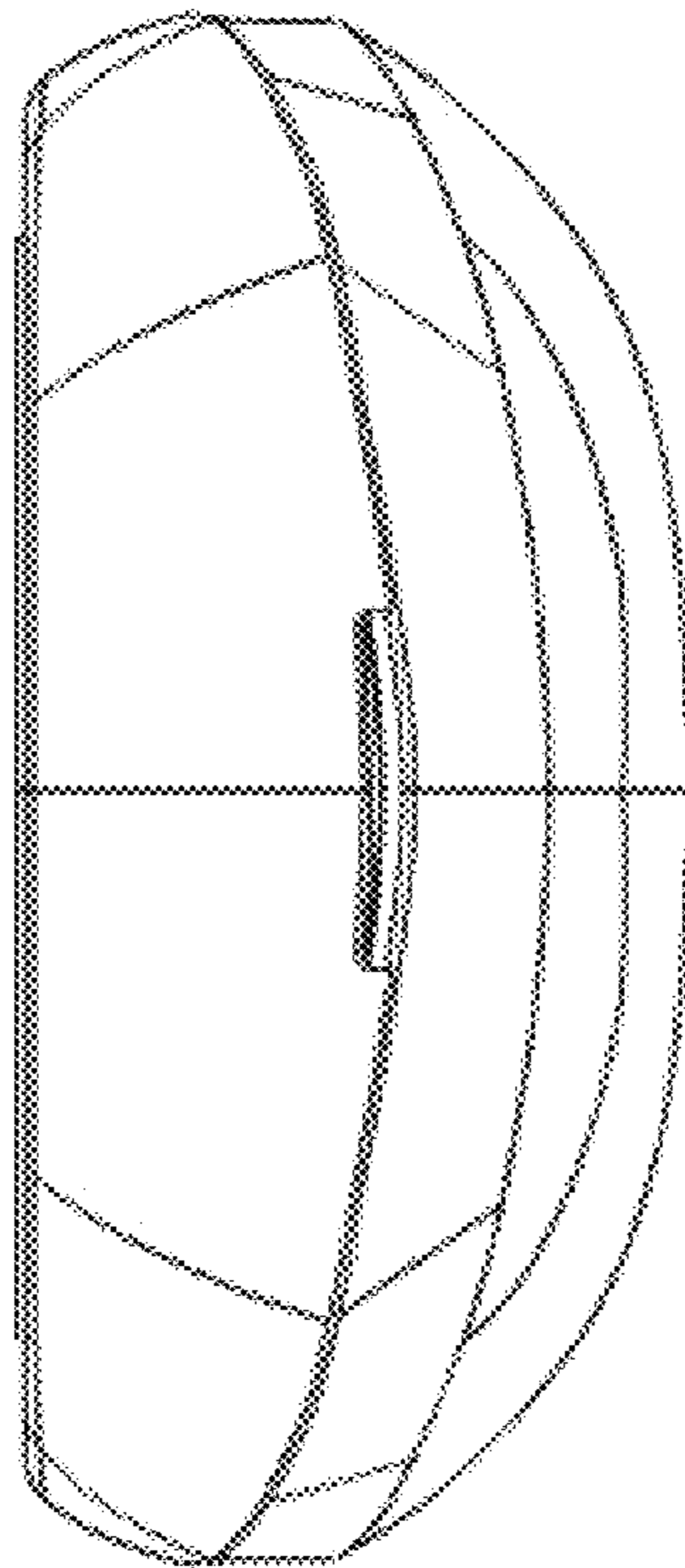


FIG. 3

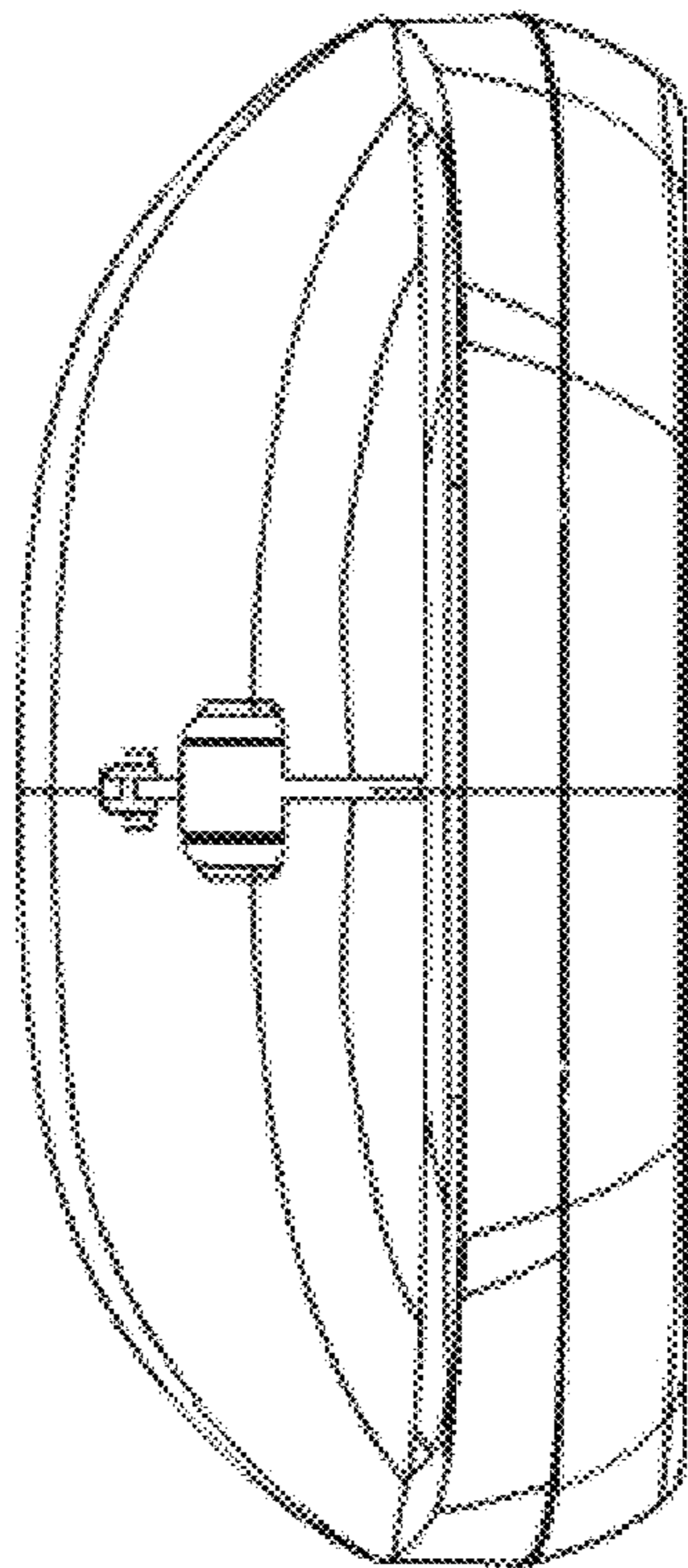


FIG. 4

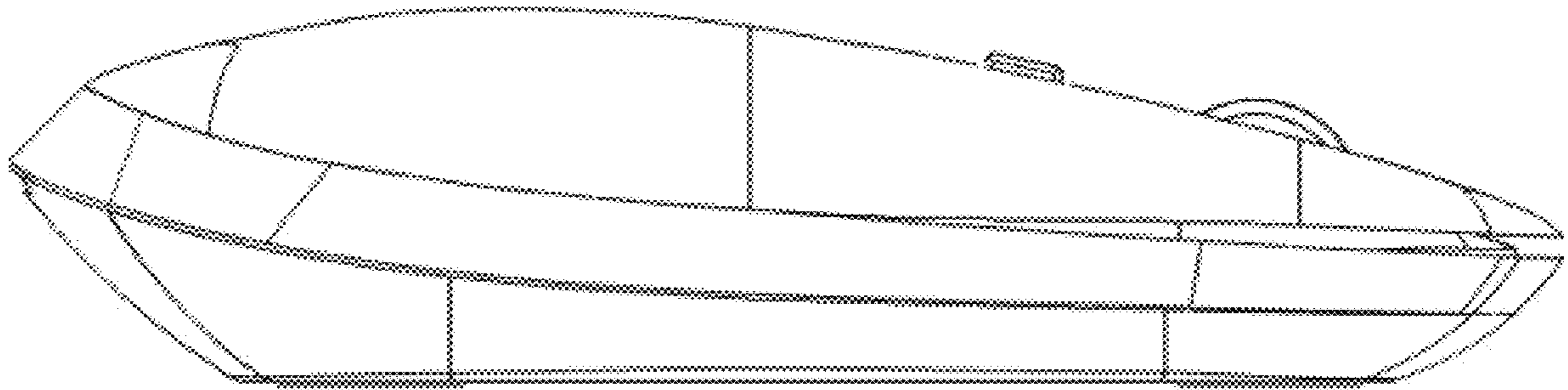


FIG. 5

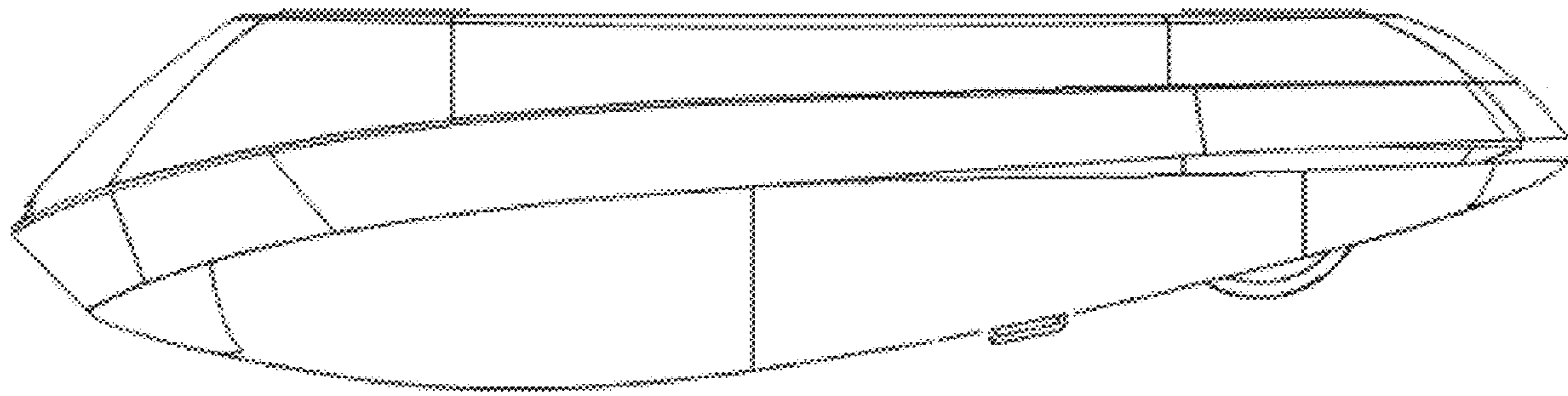


FIG. 6