



US00D878366S

(12) **United States Design Patent**  
**Newsom et al.**

(10) **Patent No.:** **US D878,366 S**  
(45) **Date of Patent:** **\*\* Mar. 17, 2020**

(54) **HEAD-MOUNTED DISPLAY**

FOREIGN PATENT DOCUMENTS

(71) Applicant: **Samsung Electronics Co., Ltd.**,  
Suwon-si (KR)

CN 201830051671X 6/2018  
CN 2017303182097 6/2018  
EM 004029502-0001 6/2017  
KR 30-2017-0047891 6/2018

(72) Inventors: **Guy Newsom**, London (GB); **Aleix Ingles Elias**, London (GB)

\* cited by examiner

(73) Assignee: **Samsung Electronics Co., Ltd.**,  
Suwon-si (KR)

*Primary Examiner* — Randall H Gholson

(74) *Attorney, Agent, or Firm* — NSIP Law

(\*\*) Term: **15 Years**

(57) **CLAIM**

We claim the ornamental design for a head-mounted display, as shown and described.

(21) Appl. No.: **29/674,220**

**DESCRIPTION**

(22) Filed: **Dec. 20, 2018**

(30) **Foreign Application Priority Data**

Jul. 4, 2018 (KR) ..... 30-2018-0030926

(51) **LOC (12) Cl.** ..... **14-02**

(52) **U.S. Cl.**  
USPC ..... **D14/372; D29/122**

(58) **Field of Classification Search**  
USPC ..... D14/372, 496, 432, 371, 125, 126, 129,  
D14/299; D16/300–342; 351/158, 153,  
351/144; 345/7–9, 905; 455/344;  
348/115, 53, 121, 739; D29/122  
CPC ..... G02B 27/017; G02B 27/0158; G02B  
27/0161; G02B 27/0181; G02B 27/0185;  
G02B 27/0189  
See application file for complete search history.

FIG. 1 is a front perspective view of a head-mounted display showing our new design;  
FIG. 2 is a front view thereof;  
FIG. 3 is a rear view thereof;  
FIG. 4 is a left-side view thereof;  
FIG. 5 is a right-side view thereof;  
FIG. 6 is a top view thereof;  
FIG. 7 is a bottom view thereof;  
FIG. 8 is another front perspective view thereof with an example headband mount attached;  
FIG. 9 is an enlarged view of the portion encircled in FIG. 1;  
FIG. 10 is an enlarged view of the portion encircled in FIG. 3; and,  
FIG. 11 is an enlarged view of the portion encircled in FIG. 7.

(56) **References Cited**

U.S. PATENT DOCUMENTS

D759,654 S \* 6/2016 Sullivan ..... D14/372  
D771,625 S \* 11/2016 Sullivan ..... D14/372  
D800,116 S \* 10/2017 Yee ..... D14/372  
D810,743 S 2/2018 Yee et al.  
D834,016 S \* 11/2018 Raffle ..... D14/372  
D836,103 S \* 12/2018 Robertson ..... D14/372

The broken lines in the figures depict portions of the head-mounted display which form no part of the claimed design. The broken lines in FIG. 8 which depict the example headband mount are for environmental purposes only, and form no part of the claimed design.

The dot-dash broken lines encircling portions of the claimed design that are illustrated in enlargements form no part of the claimed design.

**1 Claim, 11 Drawing Sheets**

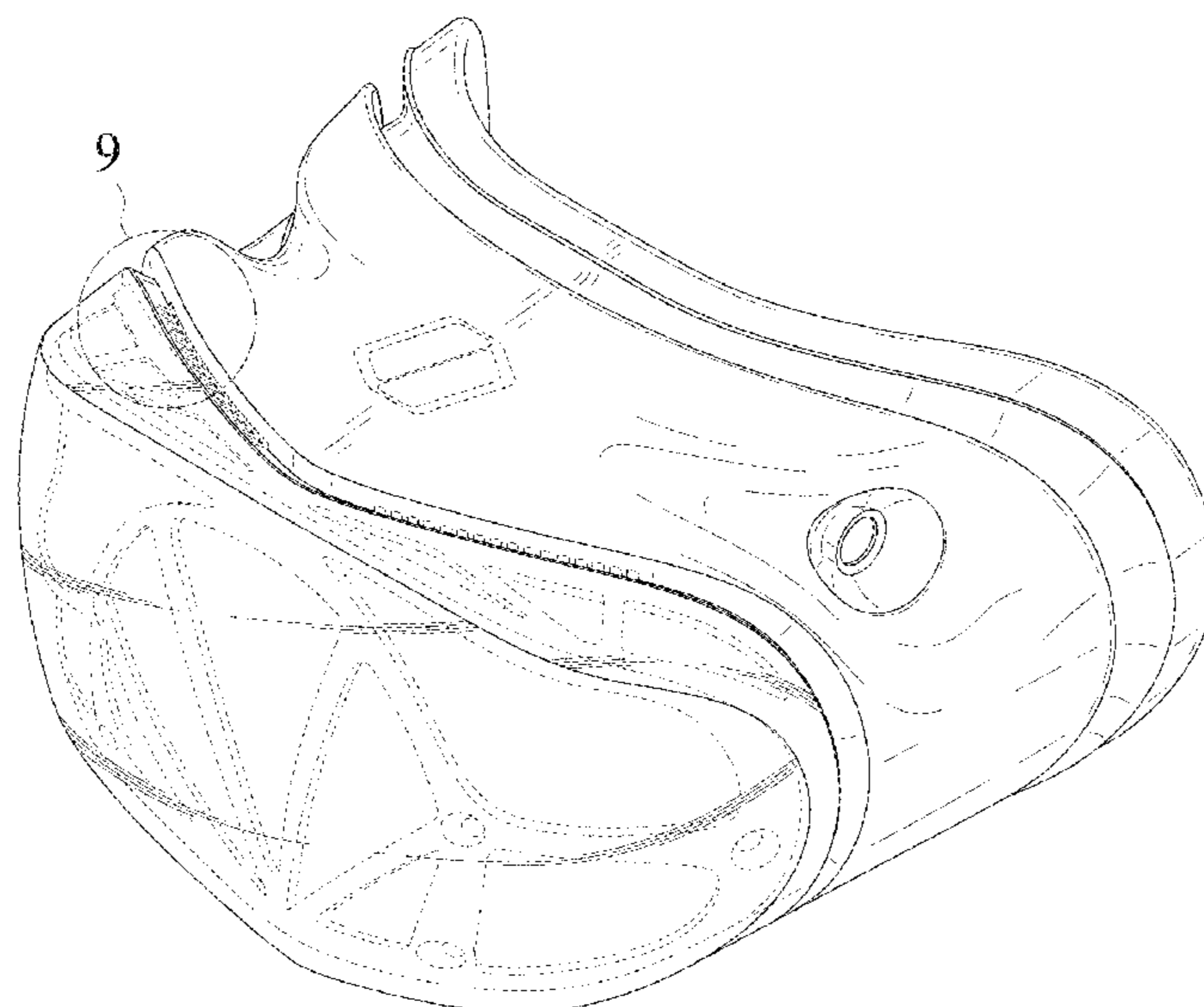


FIG. 1

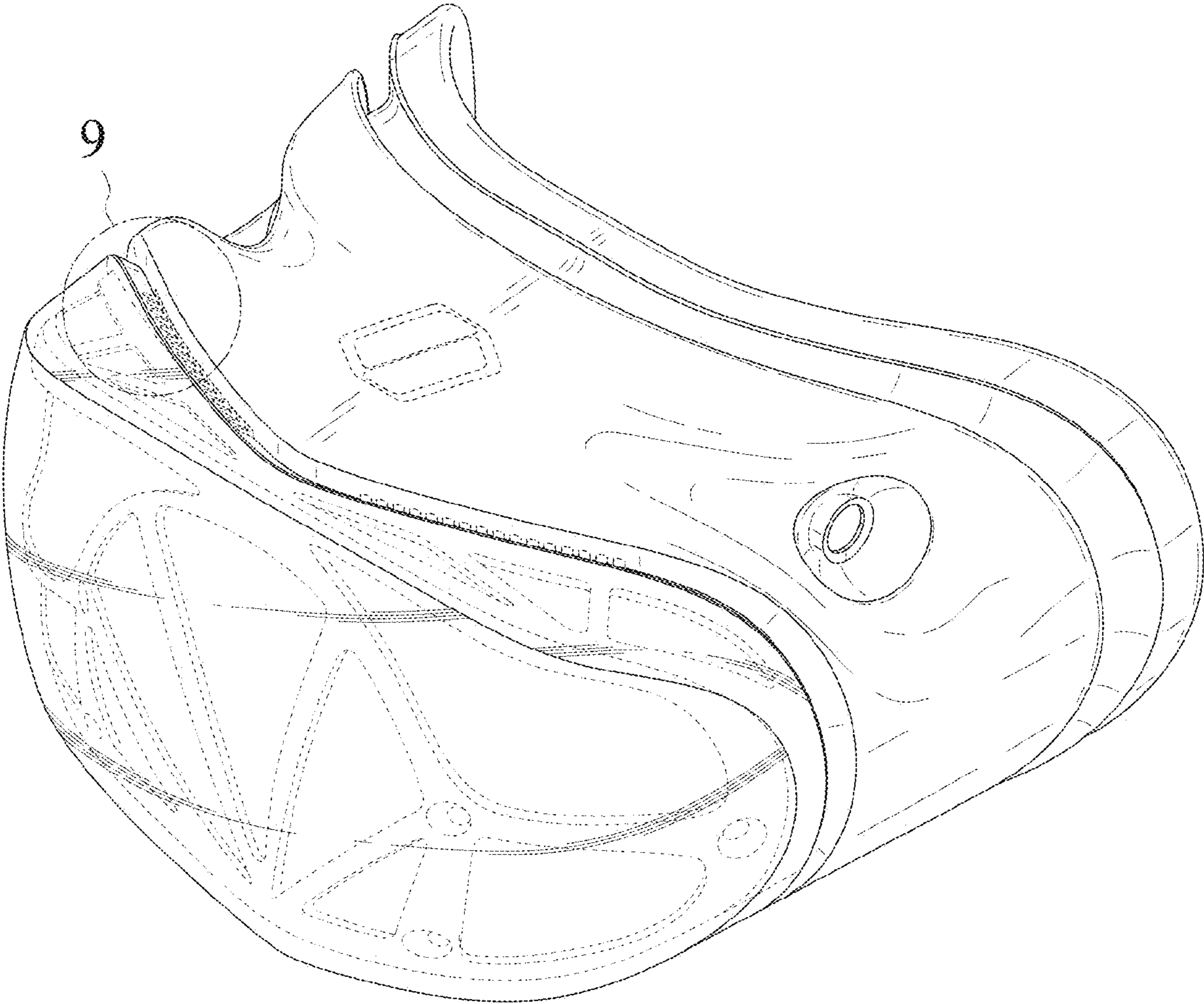


FIG. 2

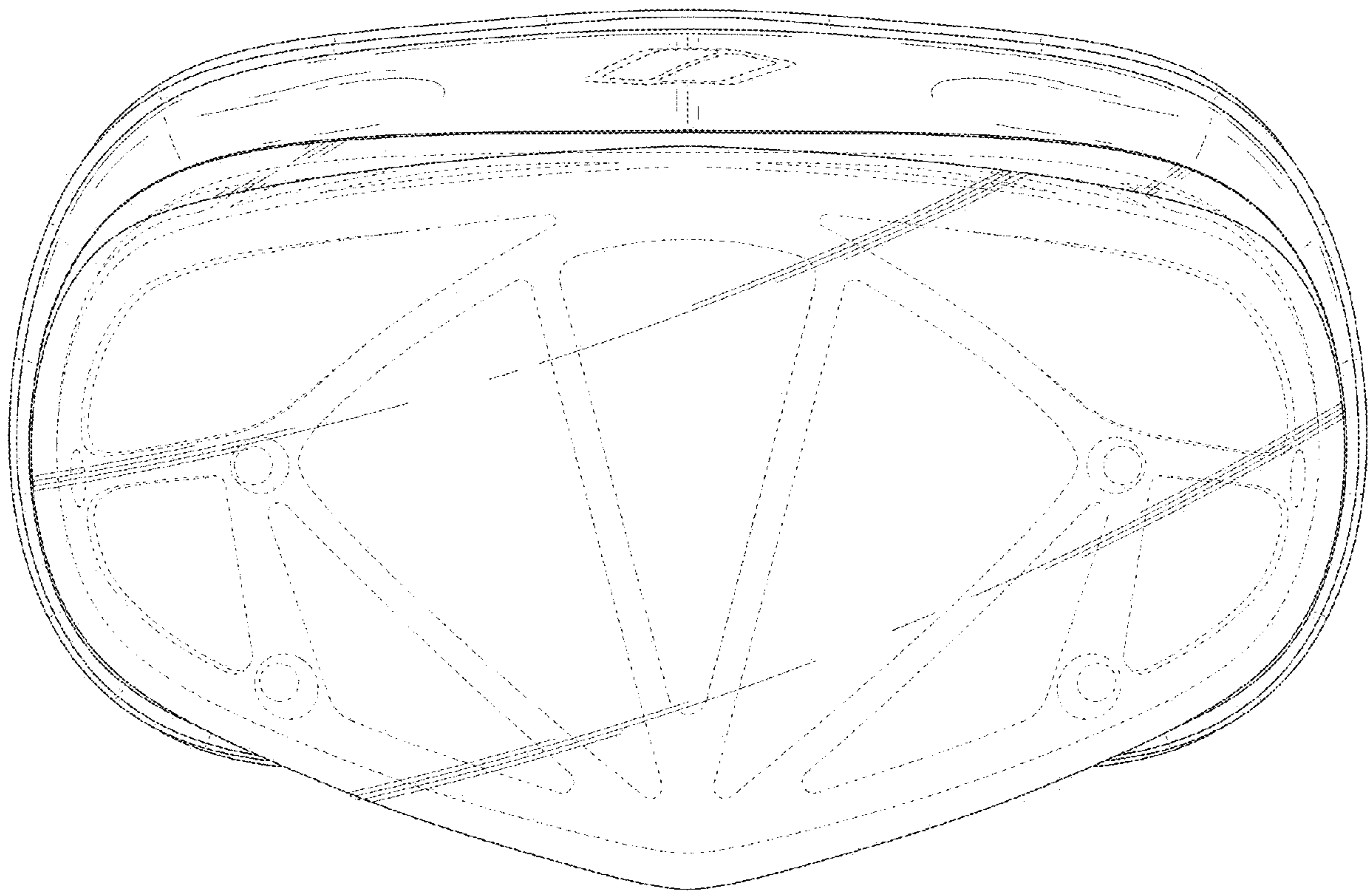


FIG. 3

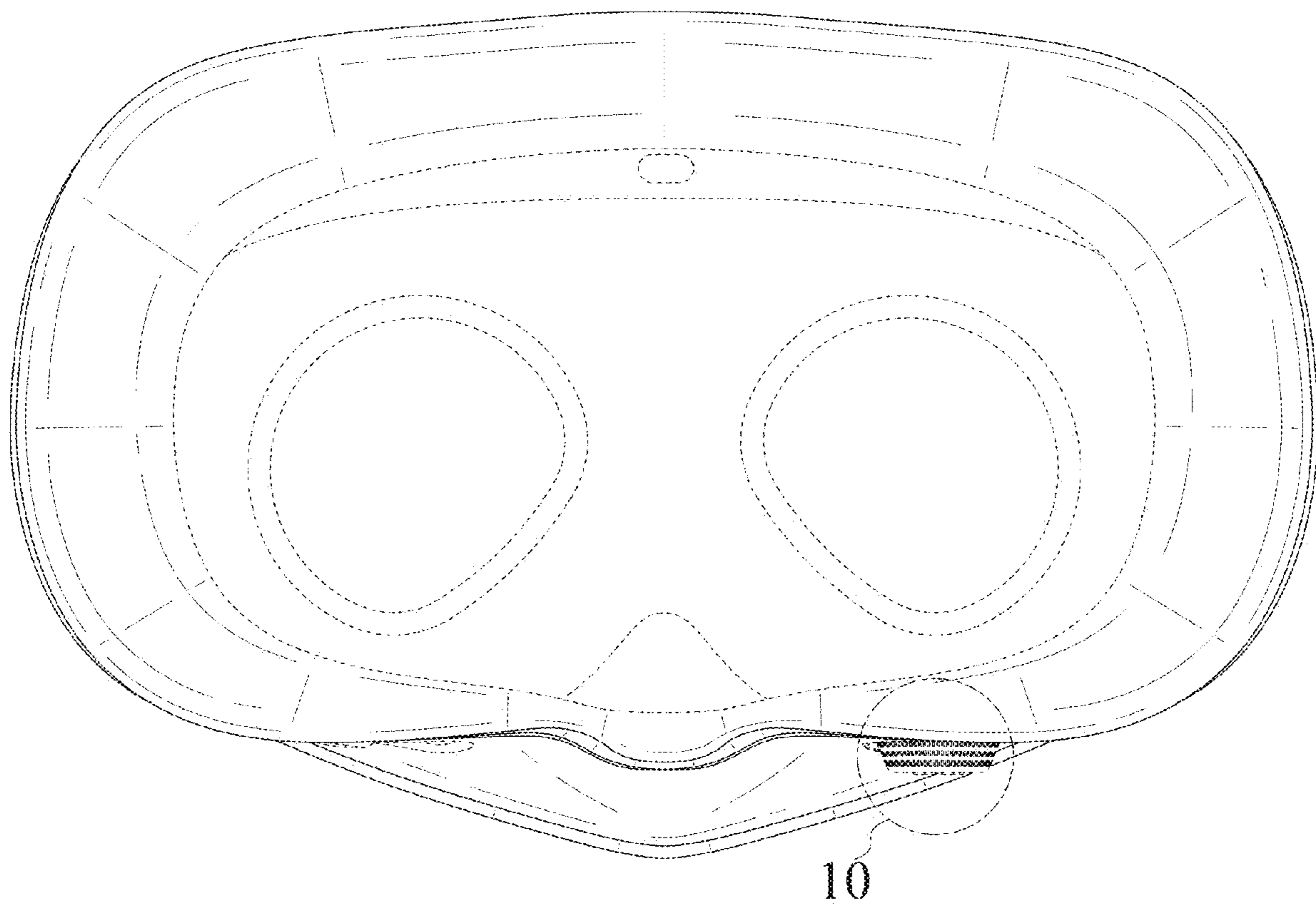


FIG. 4

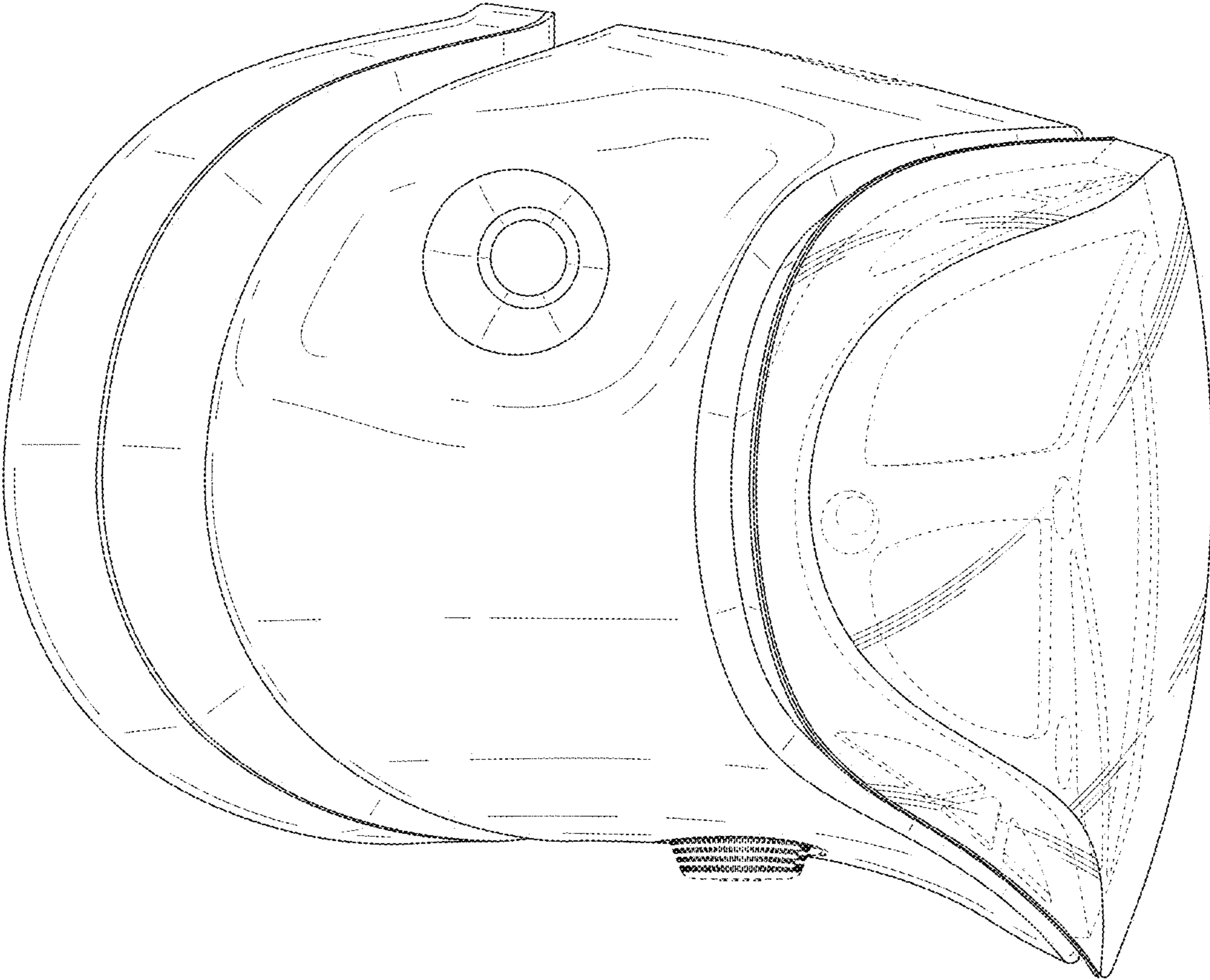


FIG. 5

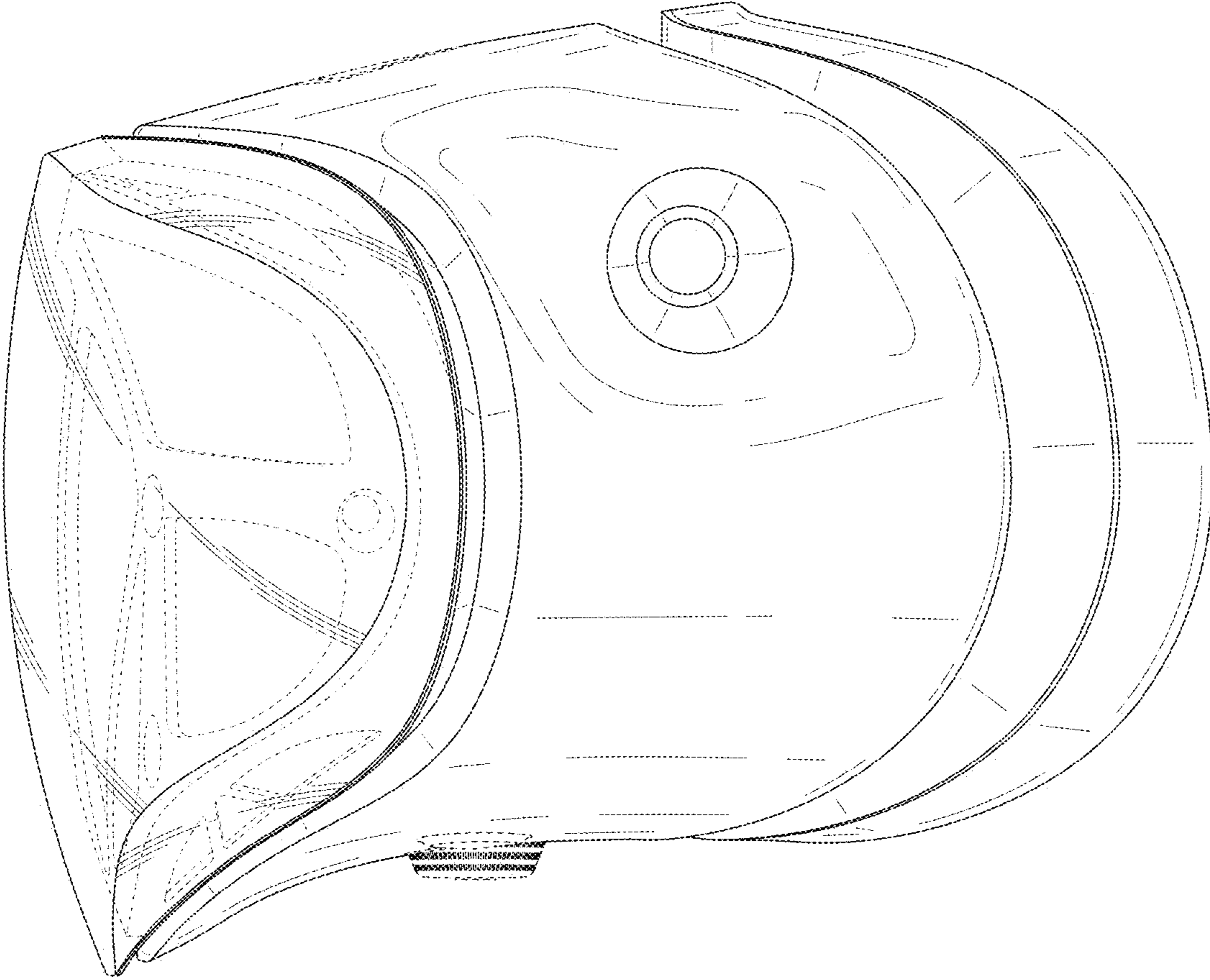


FIG. 6

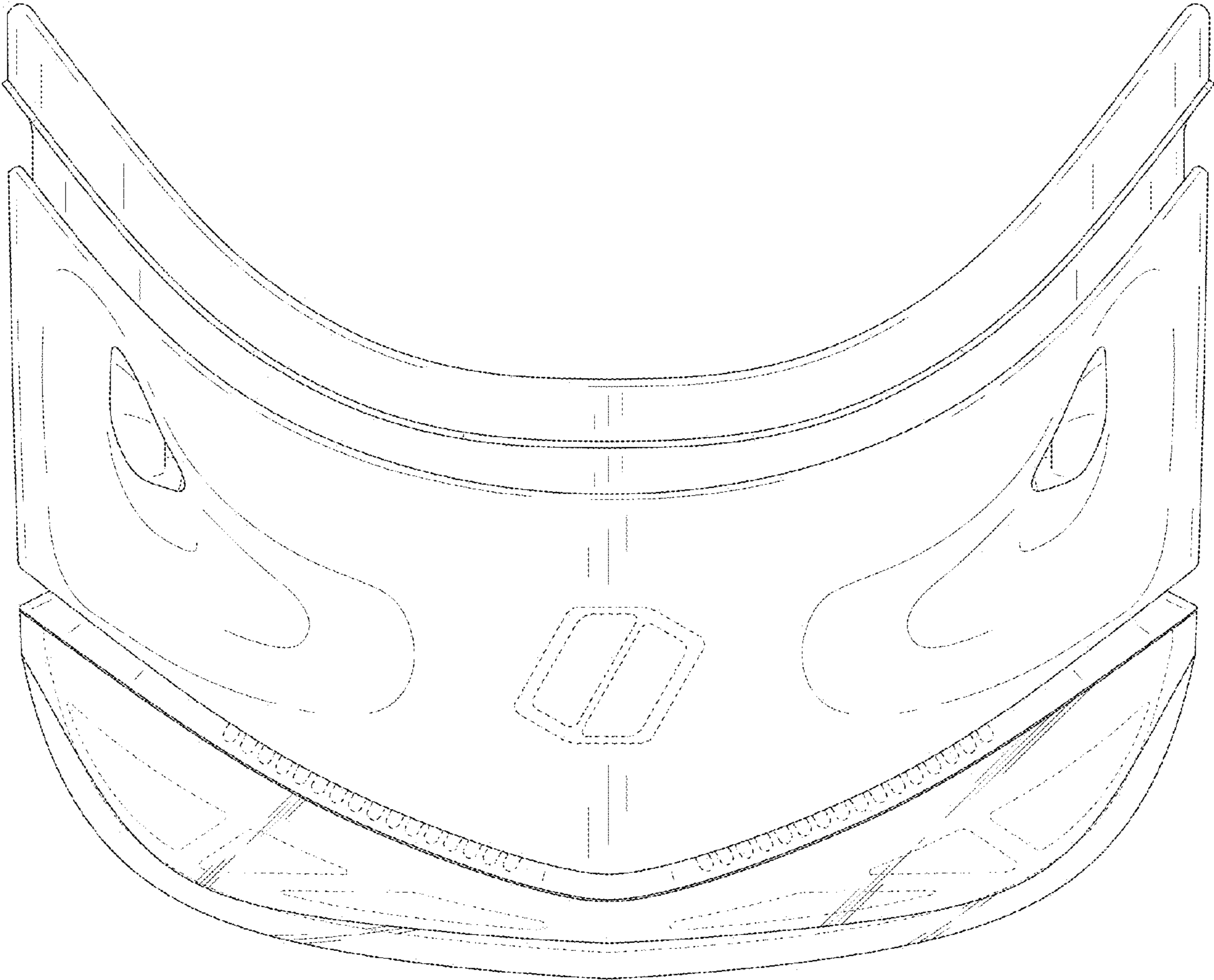


FIG. 7

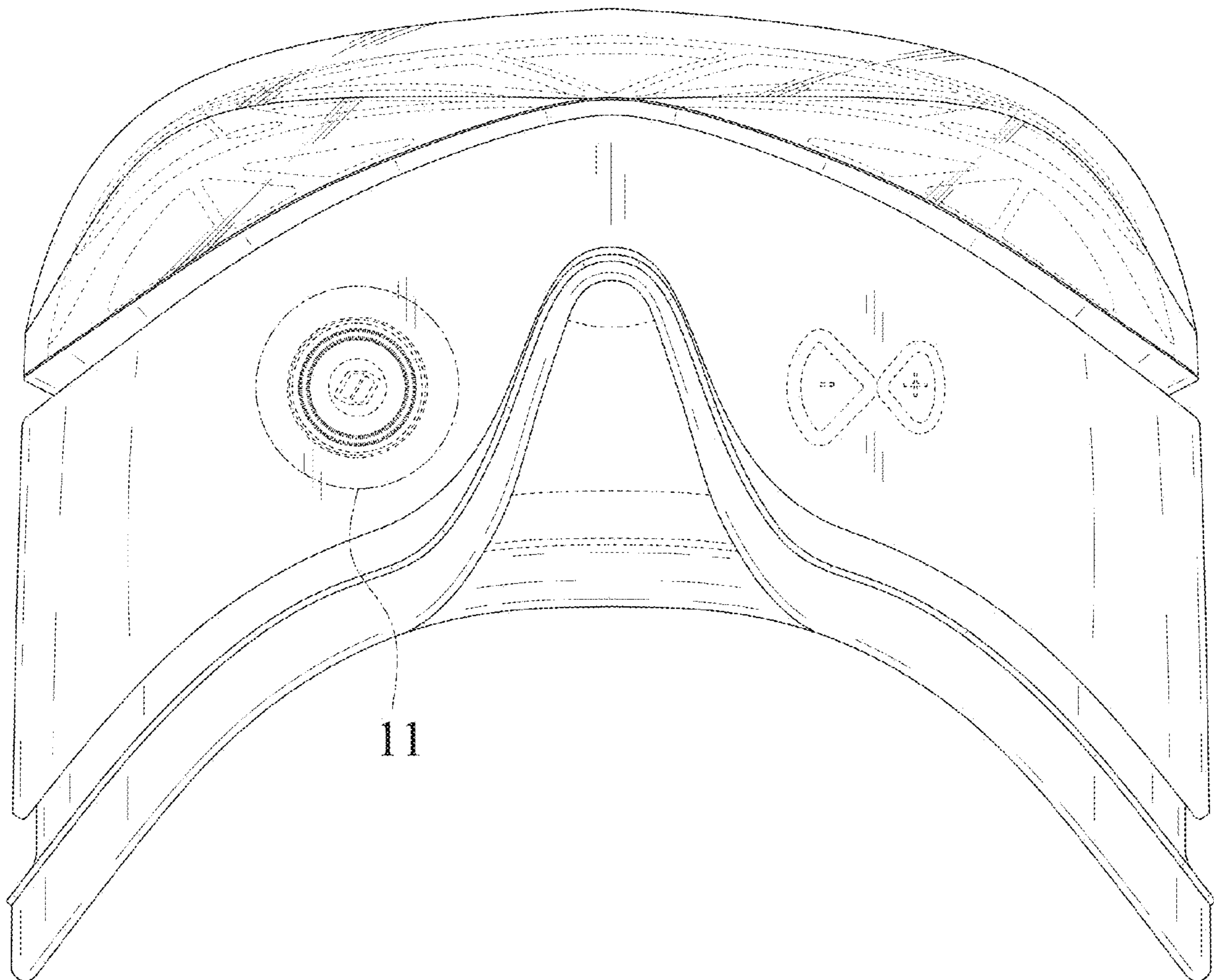




FIG. 8

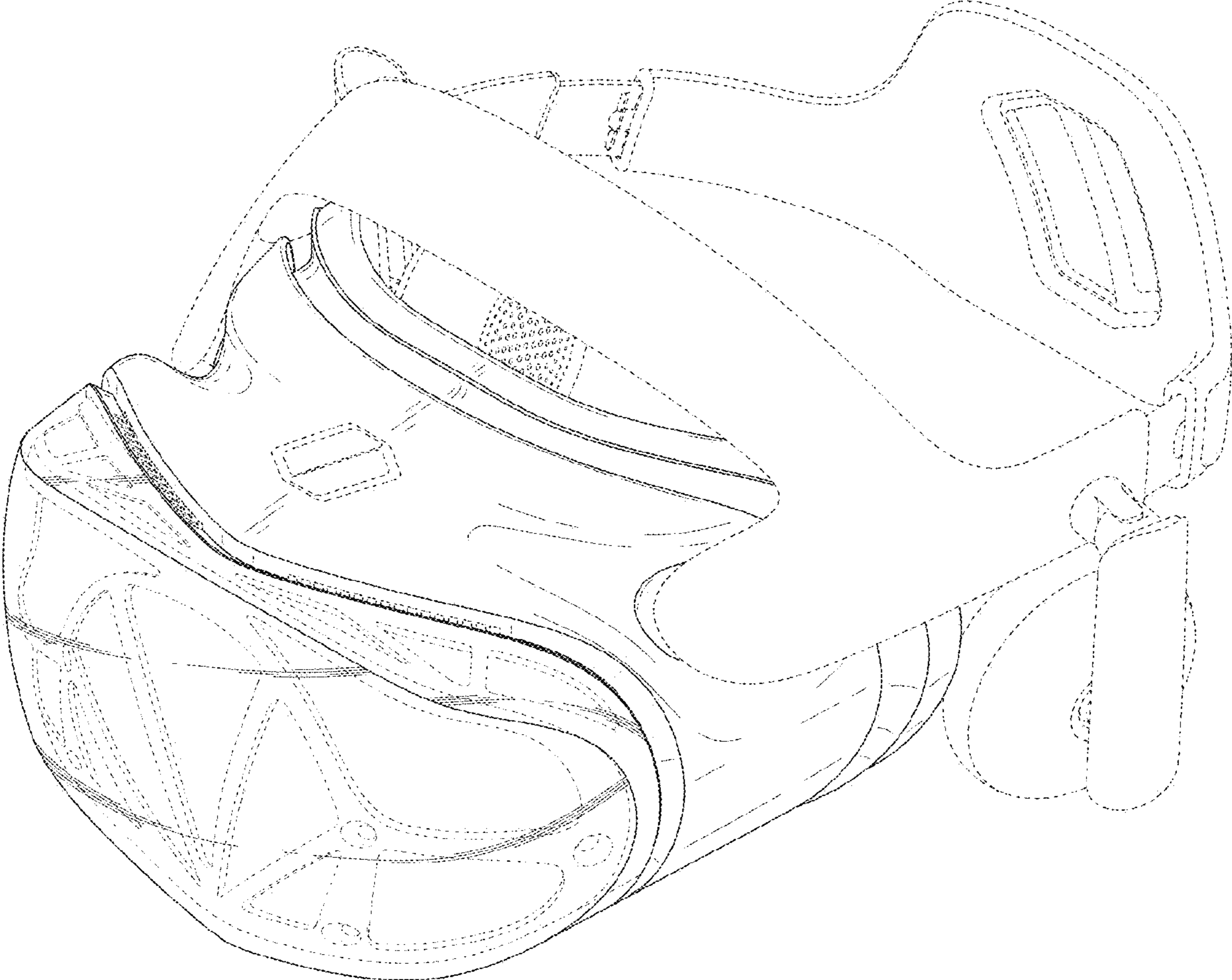


FIG. 9

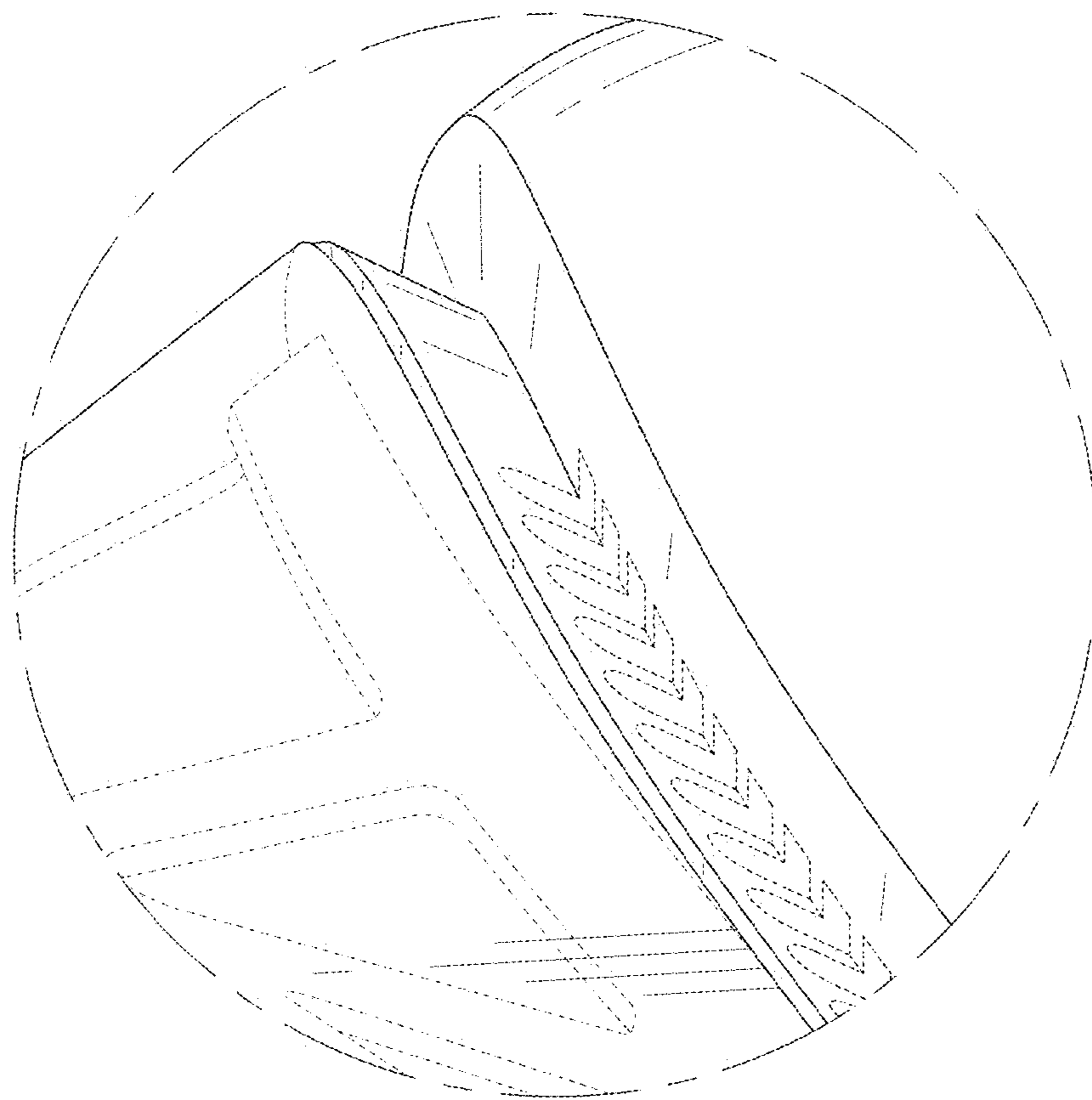


FIG. 10

