



US00D878365S

(12) **United States Design Patent**  
**Choplin et al.**

(10) **Patent No.:** **US D878,365 S**  
(45) **Date of Patent:** **\*\* Mar. 17, 2020**

(54) **SMART WATCH WITH CURVED BODY**

- (71) Applicant: **Fitbit, Inc.**, San Francisco, CA (US)
- (72) Inventors: **Stephanie Lydia Rene Choplin**, San Francisco, CA (US); **Cory William Worth**, Palo Alto, CA (US); **Brian Dennis Paschke**, San Francisco, CA (US); **Jonah Avram Becker**, San Francisco, CA (US); **Anthony Gerald Kern**, Pleasant Hill, CA (US)
- (73) Assignee: **Fitbit, Inc.**, San Francisco, CA (US)
- (\*\*) Term: **15 Years**

(21) Appl. No.: **29/671,175**

(22) Filed: **Nov. 24, 2018**

**Related U.S. Application Data**

- (63) Continuation of application No. 29/656,638, filed on Jul. 13, 2018.
- (51) **LOC (12) Cl.** ..... **14-02**
- (52) **U.S. Cl.**  
USPC ..... **D14/344**; D24/186
- (58) **Field of Classification Search**  
USPC .. D14/138 R, 144, 341, 344, 358, 388, 218;  
D10/30-39, 70, 98; D11/3, 4, 26, 93-94,  
(Continued)

(56) **References Cited**

**U.S. PATENT DOCUMENTS**

- 4,106,677 A 8/1978 Helmso et al.
  - D259,626 S 6/1981 Wada
- (Continued)

**FOREIGN PATENT DOCUMENTS**

- CN 204347450 U 5/2015
  - CN 105795625 A 7/2016
- (Continued)

**OTHER PUBLICATIONS**

U.S. Appl. No. 29/572,967, filed Aug. 1, 2016, applicant Fitbit, Inc.  
(Continued)

*Primary Examiner* — Karen E Kearney  
*Assistant Examiner* — Kristin E Reed  
(74) *Attorney, Agent, or Firm* — Polson Intellectual Property Law, PC; Margaret Polson

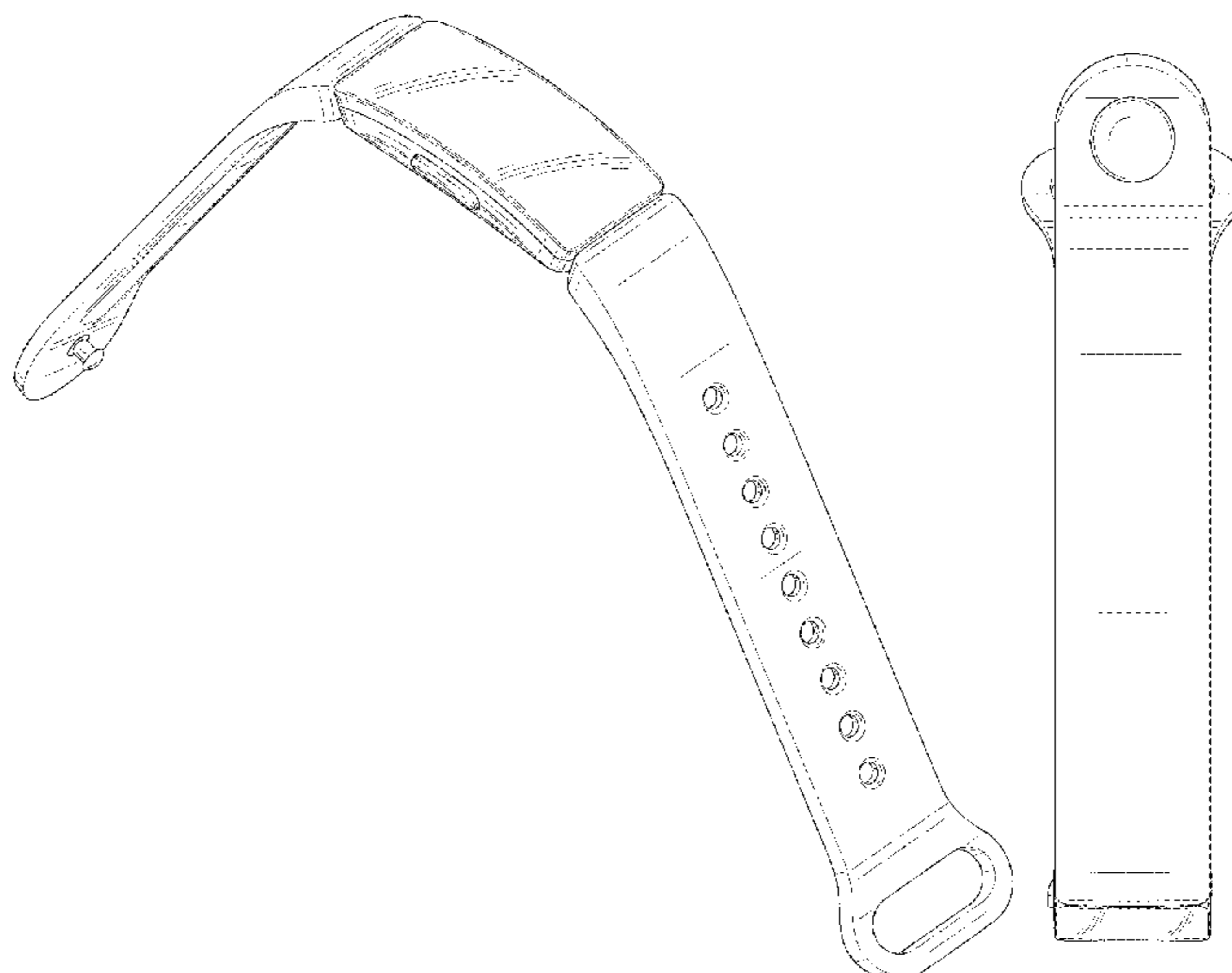
(57) **CLAIM**

The ornamental design for a smart watch with curved body, as shown and described.

**DESCRIPTION**

FIG. 1 is a top, left side isometric view of our new design for a smart watch with curved body, in a first embodiment. FIG. 2 is a bottom left side isometric view of FIG. 1. FIG. 3 is a top side plan view of FIG. 1. FIG. 4 is a bottom side plan view of FIG. 1. FIG. 5 is a left side elevation view of FIG. 1. FIG. 6 is a right side elevation view of FIG. 1. FIG. 7 is a front side elevation view of FIG. 1. FIG. 8 is a back side elevation view of FIG. 1. FIG. 9 is an isometric view of FIG. 1 with the bands removed from the body of the device; and, FIG. 10 is an isometric view of the smart watch with curved body of FIG. 1 with the bands the clasped position. Contour is shown with line shading; no difference in color, texture or material is claimed unless expressly noted. The line shading represents contour, not surface decoration. The Applicant expressly reserves the right to amend the drawings by combining claimed and/or unclaimed material in different drawings into different combinations than those shown here or to amend the drawings based upon material in annexes filed herewith. The features shown in broken lines in the drawings depict portions of the smart watch with curved body that form no part of the claimed design.

**1 Claim, 8 Drawing Sheets**



(58) **Field of Classification Search**

USPC ..... D11/78.1, 79, 86; D24/167, 169,  
D24/186-187, 164  
CPC ..... A41D 1/002; A41D 19/0034; G06F 1/04;  
G06F 1/08; G06F 1/10; G06F 1/14; G06F  
1/1626; G06F 1/1628; G06F 1/163; G06F  
1/1635; G06F 1/3203; G06Q 20/10;  
G06Q 20/12; G06Q 20/108; G06Q  
20/145; H04B 1/3833; H04B 1/385;  
H04B 1/3888; H04M 1/02; H04M 1/03;  
H04M 1/04; H04M 1/05; H04M 1/667;  
H04M 1/6058; Y02B 60/1217

See application file for complete search history.

(56)

**References Cited**

U.S. PATENT DOCUMENTS

D261,733 S 11/1981 Iida  
D264,946 S 6/1982 Hirabayashi  
D265,063 S 6/1982 Iida  
D265,295 S 7/1982 Wada  
D267,548 S 1/1983 Wada  
D269,767 S 7/1983 Houlihan et al.  
D269,951 S 8/1983 Eberhardt et al.  
4,417,821 A 11/1983 Herchenbach  
D278,685 S 5/1985 Suzuki et al.  
4,575,833 A 3/1986 Bakhtiari  
4,605,312 A 8/1986 Sellier  
D285,422 S 9/1986 Grimes  
D314,527 S 2/1991 Kaneko  
D387,692 S 12/1997 Hanagata  
D387,998 S 12/1997 Ramos, Jr. et al.  
D444,395 S 7/2001 Upton  
D528,439 S 9/2006 Burton  
D528,928 S 9/2006 Burton  
D566,582 S 4/2008 Genender et al.  
D568,768 S 5/2008 Tang  
D606,423 S 12/2009 Mille  
D615,427 S 5/2010 Au Yeung  
D628,498 S 12/2010 Arellano  
D632,984 S 2/2011 Register et al.  
D635,873 S 4/2011 Ogihara et al.  
D636,686 S 4/2011 Cobbett et al.  
D637,097 S 5/2011 Tseng  
D638,725 S 5/2011 Morrison  
D638,736 S 5/2011 Cobbett et al.  
D644,542 S 9/2011 Henne et al.  
D656,856 S 4/2012 Kleinberg  
D665,679 S 8/2012 Shigeno et al.  
8,296,983 B2 10/2012 Padgett et al.  
D672,255 S 12/2012 Zanella et al.  
D688,582 S 8/2013 Wilson  
D699,131 S 2/2014 Marshall et al.  
D703,069 S 4/2014 Adams et al.  
D715,167 S 10/2014 Busse  
D715,665 S 10/2014 Park et al.  
D717,956 S 11/2014 Alexander et al.  
D718,647 S 12/2014 Roush et al.  
D719,123 S 12/2014 Park et al.  
D720,074 S 12/2014 Suvilaakso et al.  
D720,249 S 12/2014 Park et al.  
8,903,671 B2 12/2014 Park et al.  
8,920,332 B2 12/2014 Hong et al.  
D720,635 S 1/2015 Park et al.  
8,942,070 B1 1/2015 Shah  
8,944,958 B1 2/2015 Brumback et al.  
8,945,017 B2 2/2015 Venkatraman et al.  
8,954,135 B2 2/2015 Yuen et al.  
8,956,303 B2 2/2015 Hong et al.  
D724,453 S 3/2015 Ogihara et al.  
D724,468 S 3/2015 Tan et al.  
D724,469 S 3/2015 Akana et al.  
D726,052 S 4/2015 Henning  
D727,183 S 4/2015 Park et al.  
D727,759 S 4/2015 Martinez et al.

9,004,329 B2 4/2015 Hsieh et al.  
D728,624 S 5/2015 Akana et al.  
D729,237 S 5/2015 Fagnot  
D729,646 S 5/2015 Phillips et al.  
D729,648 S 5/2015 Phillips et al.  
D729,651 S 5/2015 Nuovo et al.  
D729,653 S 5/2015 Nuovo et al.  
D731,898 S 6/2015 Squires  
9,044,149 B2 6/2015 Richards et al.  
D735,710 S 8/2015 Song  
D737,158 S 8/2015 Akana et al.  
9,005,129 B2 8/2015 Venkatraman et al.  
9,113,794 B2 8/2015 Hong et al.  
D737,699 S 9/2015 Chang et al.  
D738,236 S 9/2015 Song  
D738,237 S 9/2015 Song  
D741,726 S 10/2015 Akana et al.  
D743,278 S 11/2015 Solomon et al.  
D743,820 S 11/2015 Song  
D744,109 S 11/2015 Yoneta et al.  
D744,110 S 11/2015 Kubo et al.  
D744,356 S 12/2015 Akana et al.  
D745,421 S 12/2015 Akana et al.  
D745,513 S 12/2015 Jung et al.  
D745,514 S 12/2015 Jung et al.  
D745,515 S 12/2015 Solomon et al.  
D745,868 S 12/2015 Choi et al.  
D746,477 S 12/2015 Cha et al.  
D747,714 S 1/2016 Erbeus  
D749,002 S 2/2016 Park et al.  
D749,569 S 2/2016 Ji et al.  
D750,622 S 3/2016 Chen et al.  
D751,068 S 3/2016 Erbeus  
D751,069 S 3/2016 Choi et al.  
D751,549 S 3/2016 Park et al.  
D751,550 S 3/2016 Solomon et al.  
D752,043 S 3/2016 Ji et al.  
D752,578 S 3/2016 Ji et al.  
9,282,902 B2 3/2016 Richards et al.  
9,285,830 B2 3/2016 Alcazar  
9,307,917 B2 4/2016 Hong et al.  
D756,250 S 5/2016 Lee  
D756,824 S 5/2016 Akana et al.  
D757,567 S 5/2016 Henderson et al.  
D757,574 S 5/2016 Song  
D757,819 S 5/2016 Akana et al.  
D758,363 S 6/2016 Akana et al.  
D759,011 S 6/2016 Akana et al.  
D759,516 S 6/2016 Ling et al.  
D759,623 S 6/2016 Dahlberg  
D761,141 S 7/2016 Wimmer, IV  
D762,210 S 7/2016 Lee et al.  
9,391,307 B2 7/2016 Ishibashi  
D763,107 S 8/2016 Nielsen et al.  
D765,072 S 8/2016 Kwon  
9,402,552 B2 8/2016 Richards et al.  
D765,655 S 9/2016 Tao  
D766,115 S 9/2016 Ma  
D766,752 S 9/2016 Akana et al.  
D766,758 S 9/2016 Park et al.  
D766,770 S 9/2016 Devaney et al.  
D766,893 S 9/2016 Akana et al.  
D767,768 S 9/2016 Ahmed et al.  
9,456,787 B2 10/2016 Venkatraman et al.  
D772,869 S 11/2016 Iizuka et al.  
9,498,161 B1 11/2016 Sunden et al.  
9,508,241 B2 11/2016 DePascale  
9,551,608 B2 1/2017 Cho et al.  
9,558,336 B2 1/2017 Lee  
9,572,533 B2 2/2017 Venkatraman et al.  
9,579,022 B2 2/2017 Chang et al.  
9,592,007 B2 3/2017 Nuovo et al.  
D784,327 S 4/2017 Akana et al.  
D784,831 S 4/2017 Akana et al.  
D786,706 S 5/2017 Connor et al.  
9,662,053 B2 5/2017 Richards et al.  
D788,609 S 6/2017 Lenz et al.  
D790,365 S 6/2017 Nuovo et al.  
D790,366 S 6/2017 Nuovo et al.

(56)

References Cited

U.S. PATENT DOCUMENTS

D790,374 S 6/2017 Lean et al.  
 D791,634 S 7/2017 Bang et al.  
 D792,597 S 7/2017 Ahmed et al.  
 D792,795 S 7/2017 Cerrato  
 D793,565 S 8/2017 Saunamaki et al.  
 D795,719 S 8/2017 Lean et al.  
 D796,045 S 8/2017 Henning  
 9,735,823 B1 8/2017 VanDuyn et al.  
 D800,007 S 10/2017 Tibi  
 D800,172 S 10/2017 Akana et al.  
 D800,596 S 10/2017 Ling et al.  
 D802,587 S 11/2017 Lee et al.  
 D805,413 S 12/2017 Chen et al.  
 D805,929 S 12/2017 Akana et al.  
 D806,599 S 1/2018 Nielsen et al.  
 D806,880 S 1/2018 Henning  
 D807,765 S 1/2018 Akana et al.  
 D808,961 S 1/2018 Lee et al.  
 D808,962 S 1/2018 Wu  
 D809,144 S 1/2018 Wu  
 D809,510 S 2/2018 Rochat et al.  
 D812,497 S 3/2018 Kogen  
 D813,229 S 3/2018 Ling et al.  
 D814,643 S 4/2018 Mockler et al.  
 D816,668 S 5/2018 Wu  
 D817,784 S 5/2018 Swenson et al.  
 D821,246 S 6/2018 Akana et al.  
 D822,836 S 7/2018 Wu  
 10,038,361 B2 7/2018 Hajati et al.  
 D826,763 S 8/2018 Chuang  
 D827,838 S 9/2018 Lillquist et al.  
 D829,330 S 9/2018 Zheng  
 D829,713 S 10/2018 Komulainen  
 D831,643 S 10/2018 Son et al.  
 D831,644 S 10/2018 Wu  
 D831,645 S 10/2018 Wu  
 10,108,151 B2 10/2018 Cardinali et al.  
 D834,439 S 11/2018 Monachon  
 D836,478 S 12/2018 Wright et al.  
 D838,194 S 1/2019 Mays  
 10,168,736 B2 1/2019 Lee et al.  
 10,178,973 B2 1/2019 Venkatraman et al.  
 D840,043 S 2/2019 Li et al.  
 D840,860 S 2/2019 Zhang  
 10,194,836 B2 2/2019 Venkatraman et al.  
 10,216,894 B2 2/2019 Hong et al.  
 D850,317 S \* 6/2019 Hinds ..... D11/3  
 D858,517 S \* 9/2019 Kern ..... D14/344  
 D860,037 S \* 9/2019 Vandenbussche ..... D11/94  
 D860,989 S \* 9/2019 Choplin ..... D14/344  
 D861,678 S \* 10/2019 Kern ..... D14/344  
 D861,679 S \* 10/2019 Riot ..... D14/344  
 D862,459 S \* 10/2019 Choplin ..... D14/344  
 D863,095 S \* 10/2019 Akana ..... D11/3  
 D863,296 S \* 10/2019 Kern ..... D14/344  
 D864,956 S \* 10/2019 Kern ..... D14/344  
 D865,761 S \* 11/2019 Choplin ..... D14/344  
 2005/0237704 A1 10/2005 Ceresoli  
 2007/0070823 A1 \* 3/2007 Sima ..... A44C 5/14  
 368/282  
 2013/0261405 A1 10/2013 Lee et al.  
 2014/0083133 A1 3/2014 Lee et al.  
 2014/0096345 A1 \* 4/2014 Tschumi ..... G04B 37/1486  
 24/265 B  
 2014/0174958 A1 6/2014 Martinez et al.  
 2015/0085623 A1 3/2015 Modaragamage  
 2015/0272458 A1 10/2015 Magniez et al.  
 2016/0084869 A1 3/2016 Yuen et al.  
 2016/0120048 A1 4/2016 Seo et al.  
 2016/0183390 A1 6/2016 Yang et al.  
 2016/0374569 A1 12/2016 Breslow et al.  
 2017/0065224 A1 3/2017 Rahko et al.  
 2017/0086692 A1 3/2017 Freschl et al.  
 2017/0100038 A1 4/2017 Narusawa  
 2018/0132738 A1 5/2018 Choi et al.

2018/0235327 A1 8/2018 Bayley et al.  
 2018/0289116 A1 10/2018 McCray et al.  
 2019/0008396 A1 1/2019 Baron

FOREIGN PATENT DOCUMENTS

CN 205697726 U 11/2016  
 CN 106539207 A 3/2017  
 CN 206137393 U 5/2017  
 CN 206175396 U 5/2017  
 CN 206433908 U 8/2017  
 CN 206866760 U 1/2018  
 CN 207341307 U 5/2018  
 CN 207341311 U 5/2018  
 CN 207613311 U 7/2018  
 CN 304716087 S 7/2018  
 CN 304838413 S 10/2018  
 CN 304925684 S 12/2018  
 CN 304951220 S 12/2018  
 EM 001872391-0003 6/2011  
 EM 004428274-0005 10/2017  
 GB 2071496 6/1998  
 JP 1571403 S 3/2017  
 WO 2016188106 A1 12/2016

OTHER PUBLICATIONS

U.S. Appl. No. 29/614,479, filed Aug. 18, 2017, applicant Fitbit, Inc.  
 U.S. Appl. No. 29/593,261, filed Feb. 7, 2017, applicant Fitbit, Inc.  
 U.S. Appl. No. 29/596,216, filed Mar. 6, 2017, applicant Fitbit, Inc.  
 U.S. Appl. No. 29/602,541, filed May 1, 2017, applicant Fitbit, Inc.  
 U.S. Appl. No. 29/656,638, filed Jul. 13, 2018, applicant Fitbit, Inc.  
 U.S. Appl. No. 29/671,145, filed Nov. 24, 2018, applicant Fitbit, Inc.  
 U.S. Appl. No. 29/671,143, filed Nov. 24, 2018, applicant Fitbit, Inc.  
 U.S. Appl. No. 29/670,971, filed Nov. 24, 2018, applicant Fitbit, Inc.  
 U.S. Appl. No. 29/671,146, filed Nov. 24, 2018, applicant Fitbit, Inc.  
 U.S. Appl. No. 29/671,144, filed Nov. 24, 2018, applicant Fitbit, Inc.  
 POY Compatible Bands Replacement for Fitbit Alta, Fitbit Alta HR sold on Amazon. Website accessed Mar. 1, 2019.  
 Monster Fitness Multicolor Replacement Bands for Fitbit Flex sold on Amazon. Website accessed Mar. 1, 2019.  
 iGK Fitbit Alta Bands—replacement sport strap bands for Fitbit Alta for sale at Walmart (www.walmart.com). Website accessed Nov. 7, 2018.  
 Suunto Core watchband on Instagram. Accessed Feb. 7, 2017.  
 Suppa G-Shock Strap Adapters, online at least as early as Dec. 13, 2013. Accessed Feb. 7, 2017.  
 Monserat de Lucca Measuring Tape Bracelet for sale at Shopbop (www.shopbop.com). Website accessed Nov. 11, 2018.  
 Marc by Marc Jacobs Engraved Turlock Leather Bangle Bracelet for sale at Shopbop (www.shopbop.com). Website accessed Nov. 11, 2018.  
 ACBEE Replacement watch band with buckle for Fitbit Alta for sale at www.amazon.com, Website accessed Nov. 7, 2018.  
 Perfit rubber watch band with double prong buckle and spring bars for sale at www.amazon.com. Website accessed Nov. 7, 2018.  
 Waterproof diving silicone rubber strap with clasp for sale at www.aliexpress.com (Alibaba Group). Website accessed Feb. 7, 2018.  
 Damusy Fitness Tracker Smart Band for sale at www.activityandfitnesstrackers.com. Website accessed Nov. 10, 2018.  
 Volemer F09HR Smart Band Fitness Tracker for sale at www.epaky.com. Website accessed Nov. 10, 2018.  
 “First Look: Fitbit announces new Fitbit Alta activity tracker”, published Feb. 3, 2016 on DC Rainmaker (www.dcrainmaker.com). Website accessed Nov. 10, 2018.  
 Fitbit Alta—for sale by Fitbit (https://www.fitbit.com/alta). Website accessed Mar. 27, 2017.

(56)

**References Cited**

## OTHER PUBLICATIONS

Fitbit Alta replacement bands—for sale at [www.amazon.com](http://www.amazon.com). Website accessed Jul. 17, 2017.

Fitbit Alta review published Mar. 25, 2016 on C|Net ([www.cnet.com](http://www.cnet.com)). Website accessed Nov. 10, 2018.

Fitbit Charge 2 Heart Rate and Fitness Wristband for sale at [www.amazon.co.uk](http://www.amazon.co.uk). Website accessed Feb. 7, 2018.

Fitbit Flex Wireless Activity and Sleep Wristband for sale at [www.amazon.com](http://www.amazon.com). Listed at least as early as Apr. 16, 2013.

Fitbit Ionic Accessory Band for sale at Nordstrom (<https://shop.nordstrom.com>). Website accessed Nov. 7, 2018.

Fitbit Alta HR Bands for sale at the Fitness Equipment Shop ([www.thefitnessequipmentshop.com](http://www.thefitnessequipmentshop.com)). Website accessed Nov. 17, 2018.

Luminox Replacement Rubber Watch Band Strap for sale at Walmart ([www.walmart.com](http://www.walmart.com)). Website accessed Nov. 7, 2018.

“MPOW DS-D6 Fitness Band Review” published Jan. 13, 2018 on ZeroAir ([www.zeroair.wordpress.com](http://www.zeroair.wordpress.com)). Website accessed Nov. 10, 2018.

“Fitbit Product Teardown” on Pinterest, pinned from [www.ifixit.com](http://www.ifixit.com). Website accessed Feb. 27, 2017.

Pro Elite Medicine Ball by Power Systems ([www.power-systems.com](http://www.power-systems.com)). Website accessed Feb. 7, 2018.

Replacement metal watch band Connector for Fitbit Alta/Fitbit Alta HR for sale at Banggood ([www.banggood.com](http://www.banggood.com)). Website accessed Nov. 10, 2018.

Citrine by the Stones Sol Forearm Band for sale at Shopbop ([www.shopbop.com](http://www.shopbop.com)). Website accessed Nov. 11, 2018.

Gorjana Mia Wrap Cuff for sale at Shopbop ([www.shopbop.com](http://www.shopbop.com)). Website accessed Nov. 11, 2018.

\* cited by examiner

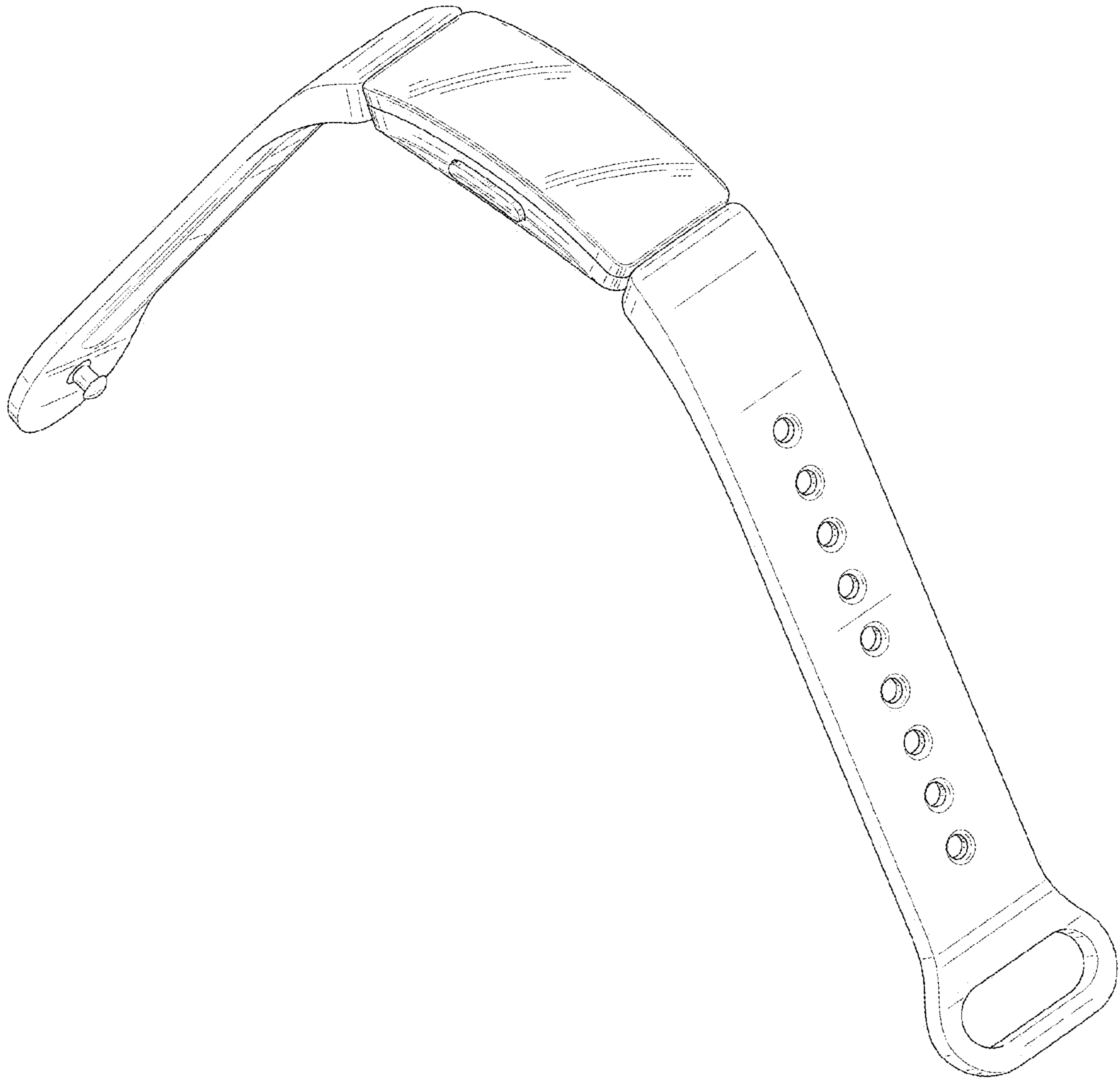


FIG. 1

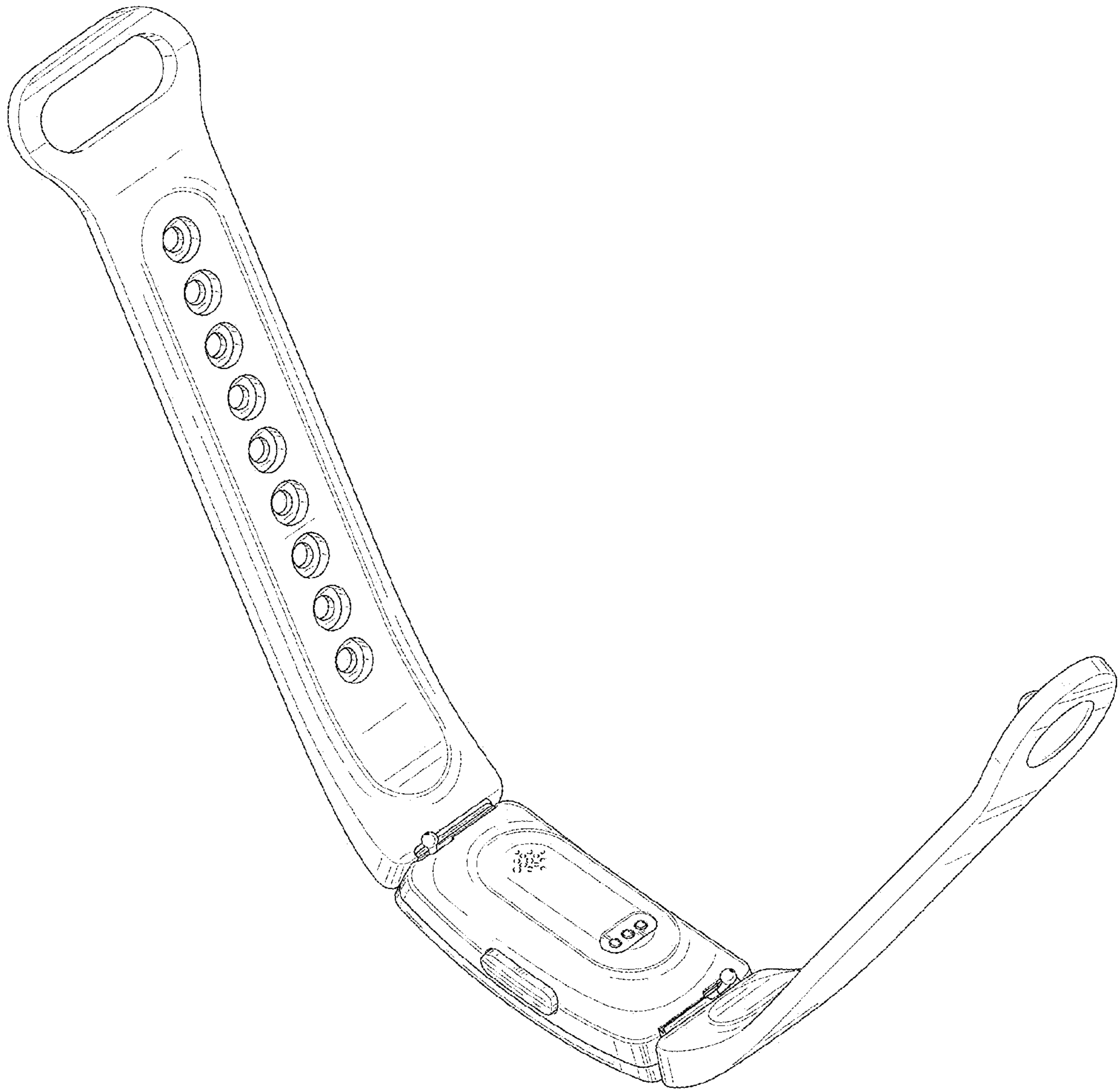


FIG. 2

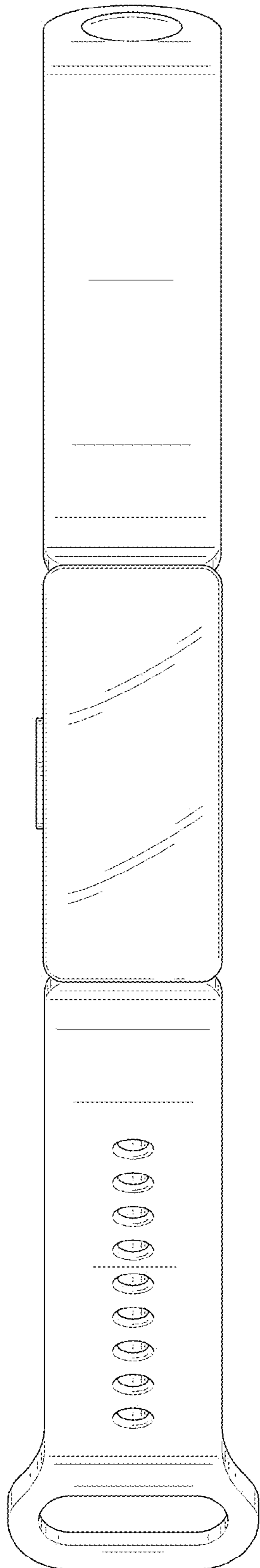


FIG. 3

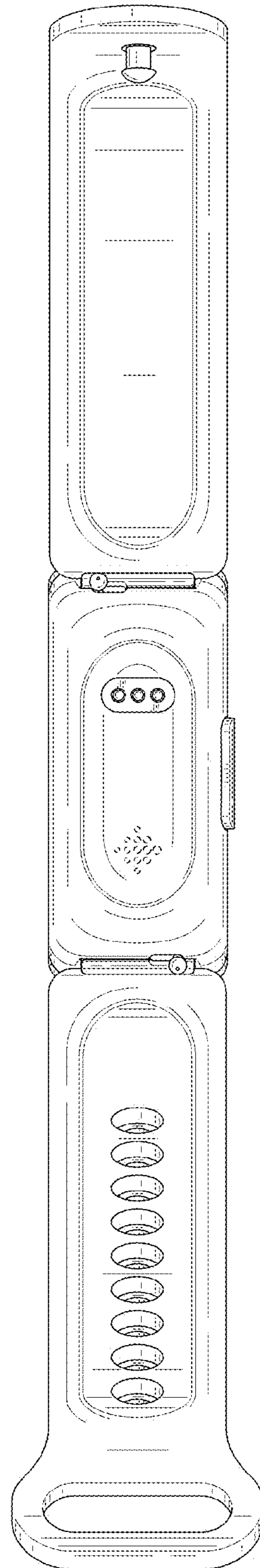


FIG. 4

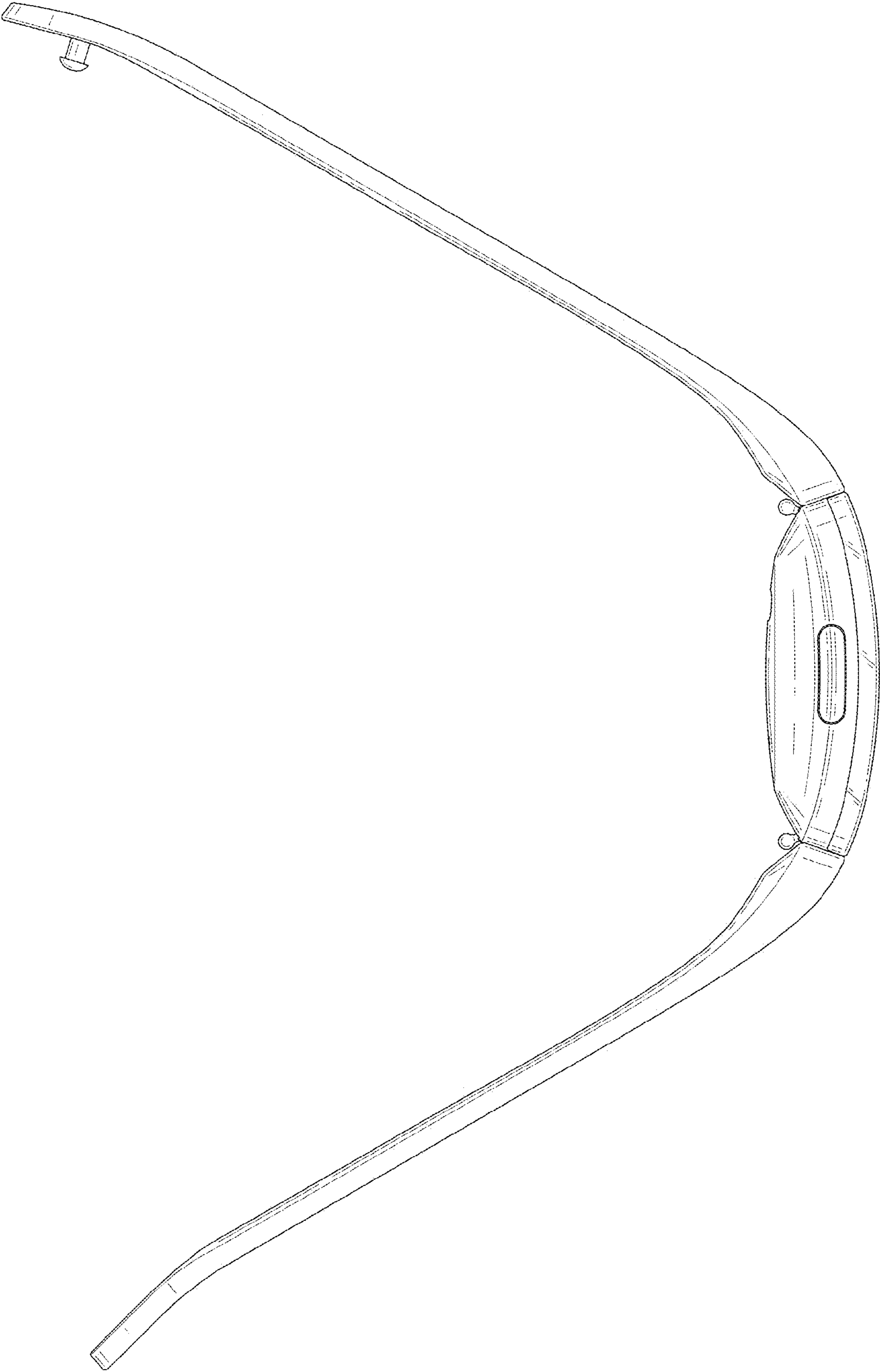


FIG. 5



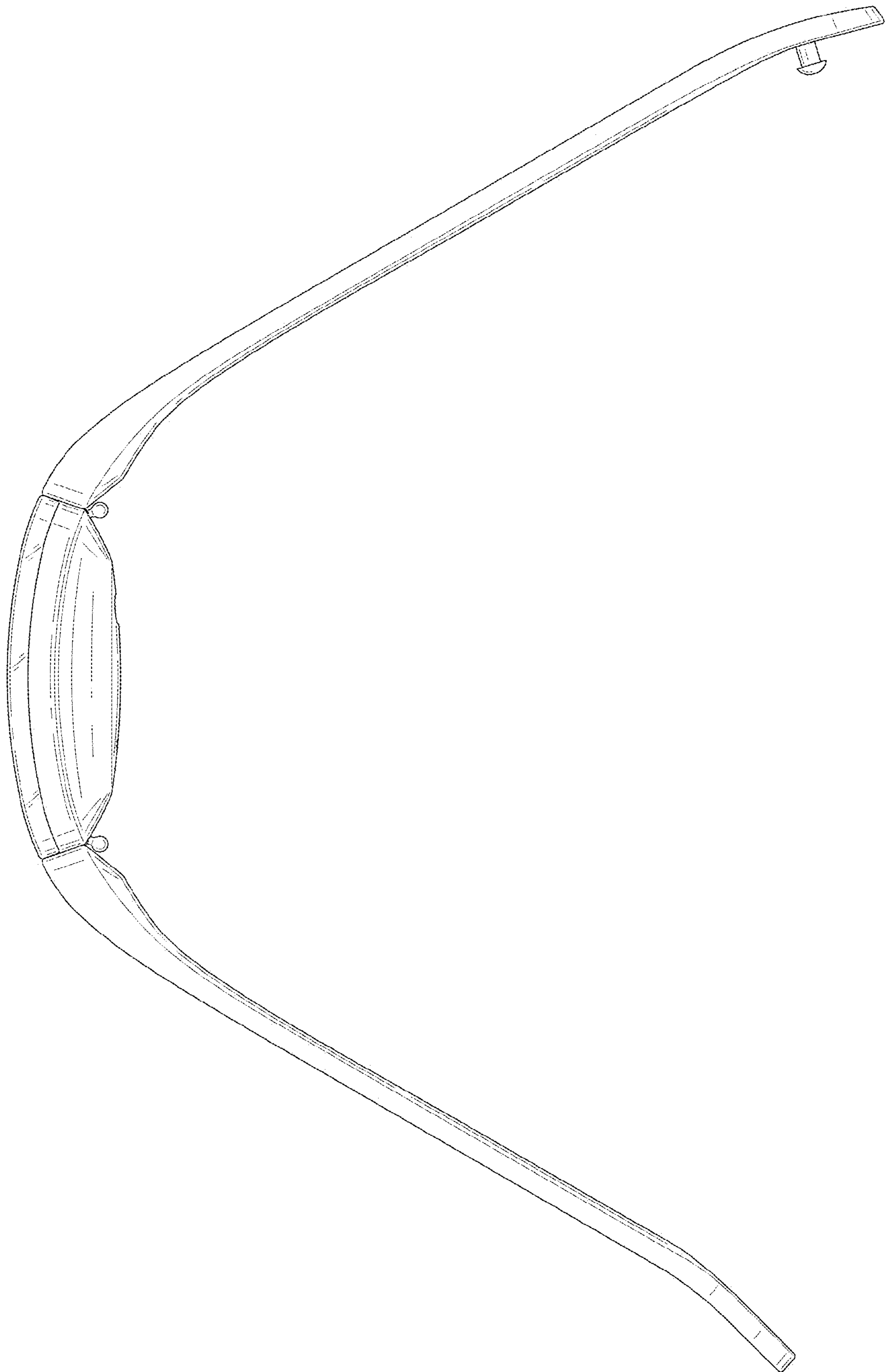


FIG. 6

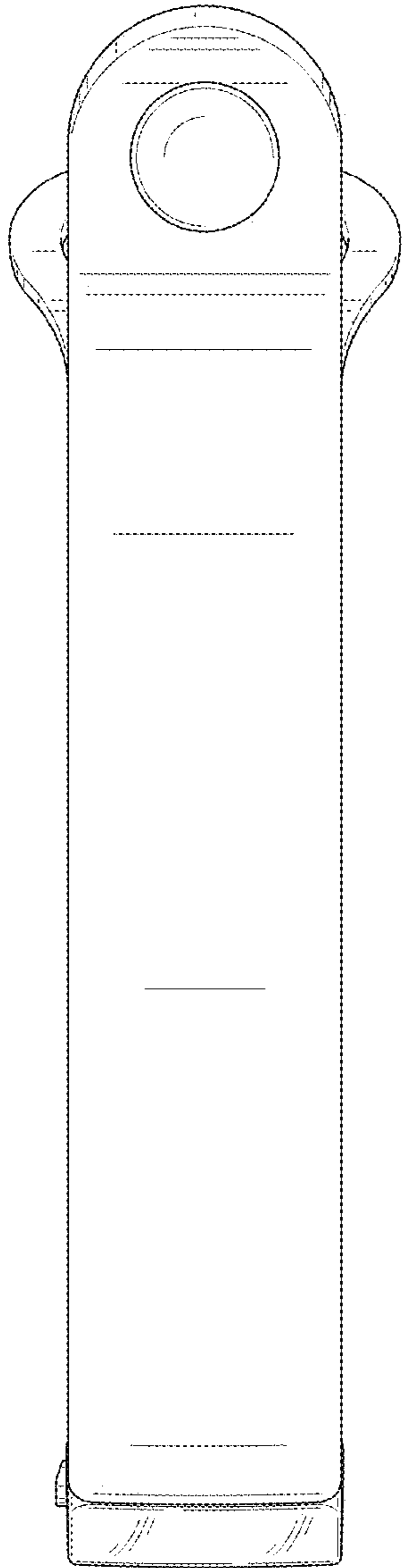


FIG. 7

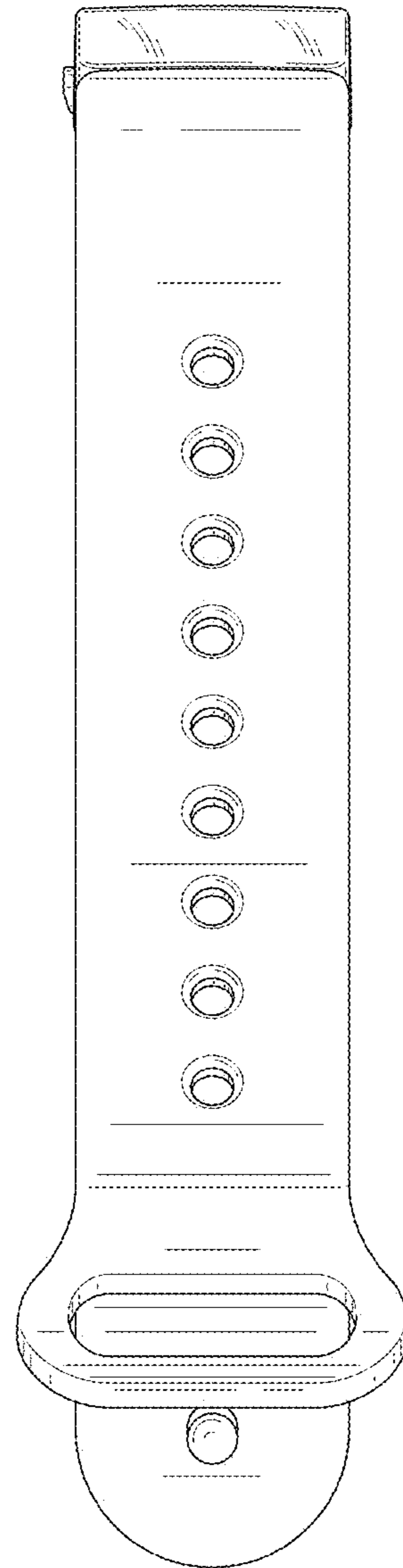


FIG. 8

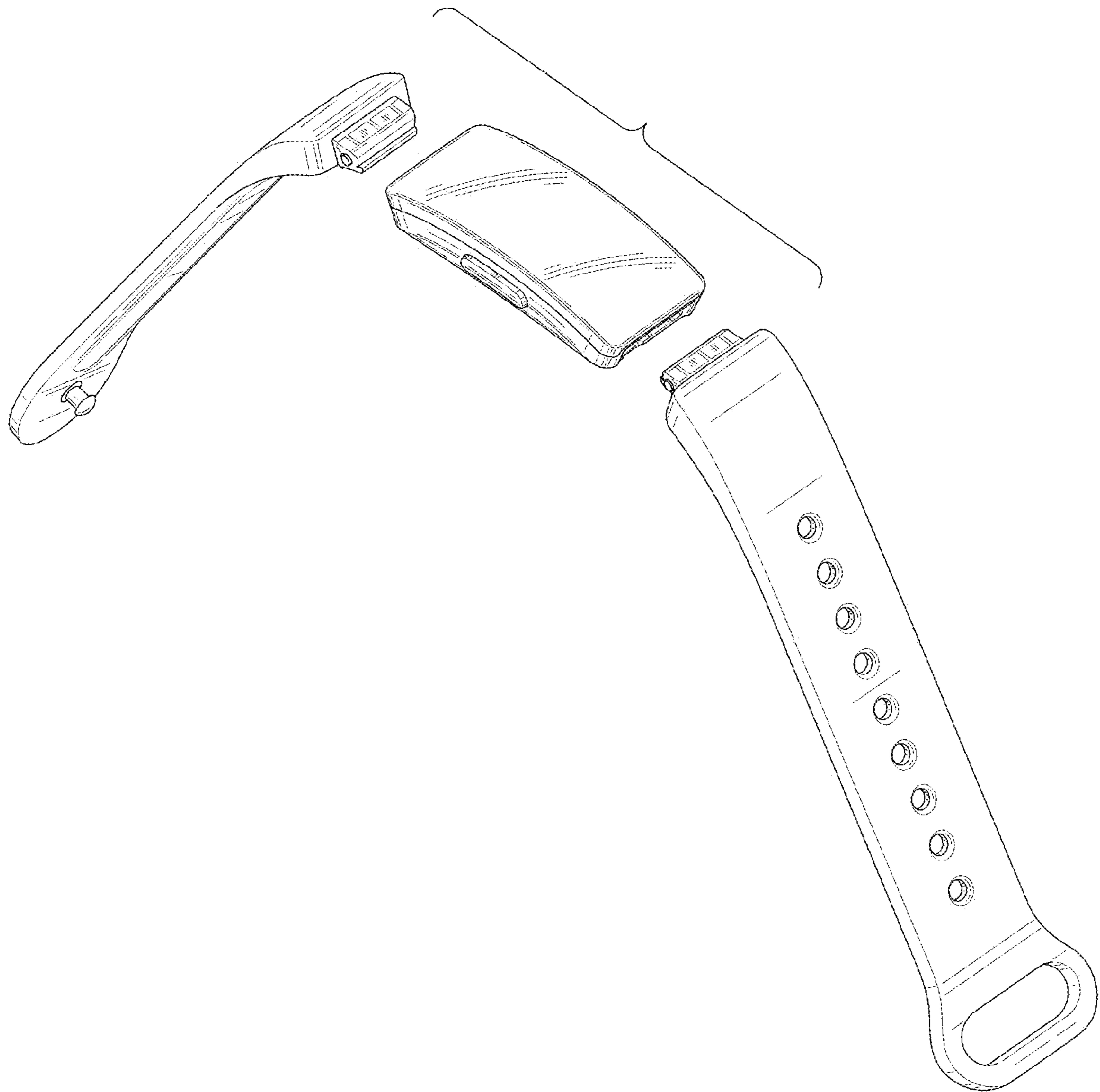


FIG. 9

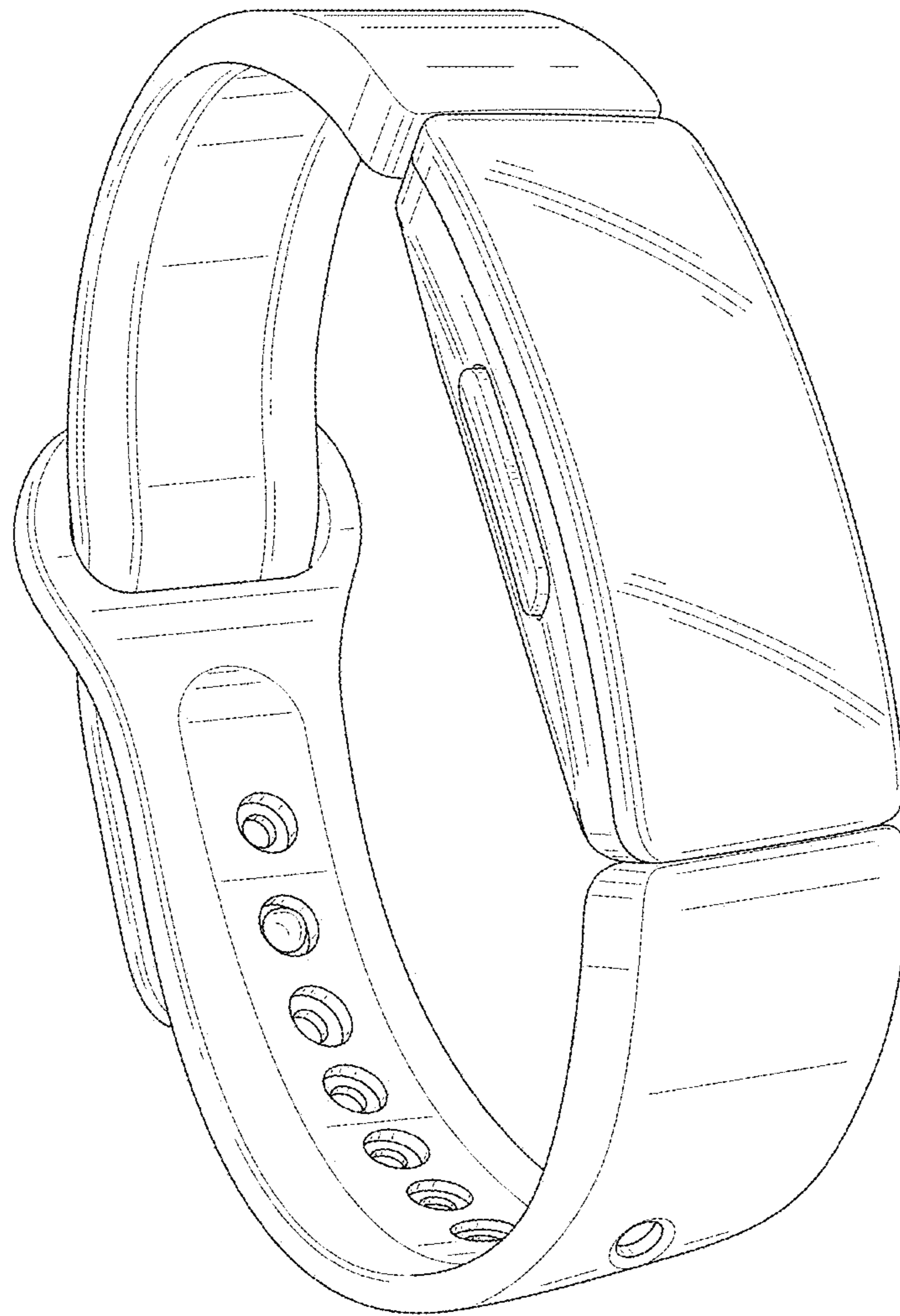


FIG. 10