



US00D878364S

(12) **United States Design Patent**  
**Kern et al.**

(10) **Patent No.:** **US D878,364 S**  
(45) **Date of Patent:** **\*\* Mar. 17, 2020**

(54) **BODY OF SMART WATCH WITH HEALTH MONITOR SENSOR**

H04M 1/04; H04M 1/05; H04M 1/667;  
H04M 1/6058; Y02B 60/1217

See application file for complete search history.

(71) Applicant: **Fitbit, Inc.**, San Francisco, CA (US)

(56) **References Cited**

(72) Inventors: **Anthony Gerald Kern**, Pleasant Hill, CA (US); **Yu Chuan Kang**, Taipei (TW); **Derek Jenchia Loh**, San Carlos, CA (US); **Benjamin Patrick Robert Jean Riot**, San Francisco, CA (US); **Irina Igorevna Kozlovskaya**, San Francisco, CA (US); **Jeffrey Andrew Fisher**, Mountain View, CA (US); **Patrick James Markan**, San Francisco, CA (US)

U.S. PATENT DOCUMENTS

(73) Assignee: **Fitbit, Inc.**, San Francisco, CA (US)

(\*\*) Term: **15 Years**

(21) Appl. No.: **29/664,595**

(22) Filed: **Sep. 26, 2018**

4,106,677 A	8/1978	Helms et al.
D259,626 S	6/1981	Wada
D261,733 S	11/1981	Iida
D264,946 S	6/1982	Hirabayashi
D265,063 S	6/1982	Iida
D265,295 S	7/1982	Wada
D267,548 S	1/1983	Wada
D269,767 S	7/1983	Houlihan et al.
D269,951 S	8/1983	Eberhardt et al.
4,417,821 A	11/1983	Herchenbach
D278,685 S	5/1985	Suzuki et al.
D528,439 S	9/2006	Burton
D528,928 S	9/2006	Burton
D566,582 S	4/2008	Genender et al.
D615,427 S	5/2010	Au Yeung
D621,726 S	8/2010	Lattmann
D628,498 S	12/2010	Arellano
D632,984 S	2/2011	Register et al.
D636,686 S	4/2011	Cobbett et al.
D637,097 S	5/2011	Tseng
D638,725 S	5/2011	Morrison
D638,736 S	5/2011	Cobbett et al.
D672,255 S	12/2012	Zanella et al.
D699,131 S	2/2014	Marshall et al.
D703,069 S	4/2014	Adams et al.
D715,167 S	10/2014	Busse
D717,956 S	11/2014	Alexander et al.
D719,123 S	12/2014	Park et al.
D720,074 S	12/2014	Suvilaakso et al.
8,942,070 B1	1/2015	Shah
8,954,135 B2	2/2015	Yuen et al.
D724,468 S	3/2015	Tan et al.
D727,759 S	4/2015	Martinez et al.
9,004,329 B2	4/2015	Hsieh et al.
D728,624 S	5/2015	Akana et al.
D729,092 S	5/2015	Phillips et al.
D729,237 S	5/2015	Fagnot
D729,651 S	5/2015	Nuovo et al.
D729,653 S	5/2015	Nuovo et al.
D735,710 S	8/2015	Song
D737,158 S	8/2015	Akana et al.
D738,236 S	9/2015	Song
D738,237 S	9/2015	Song
D741,726 S	10/2015	Akana et al.
D743,278 S	11/2015	Solomon et al.

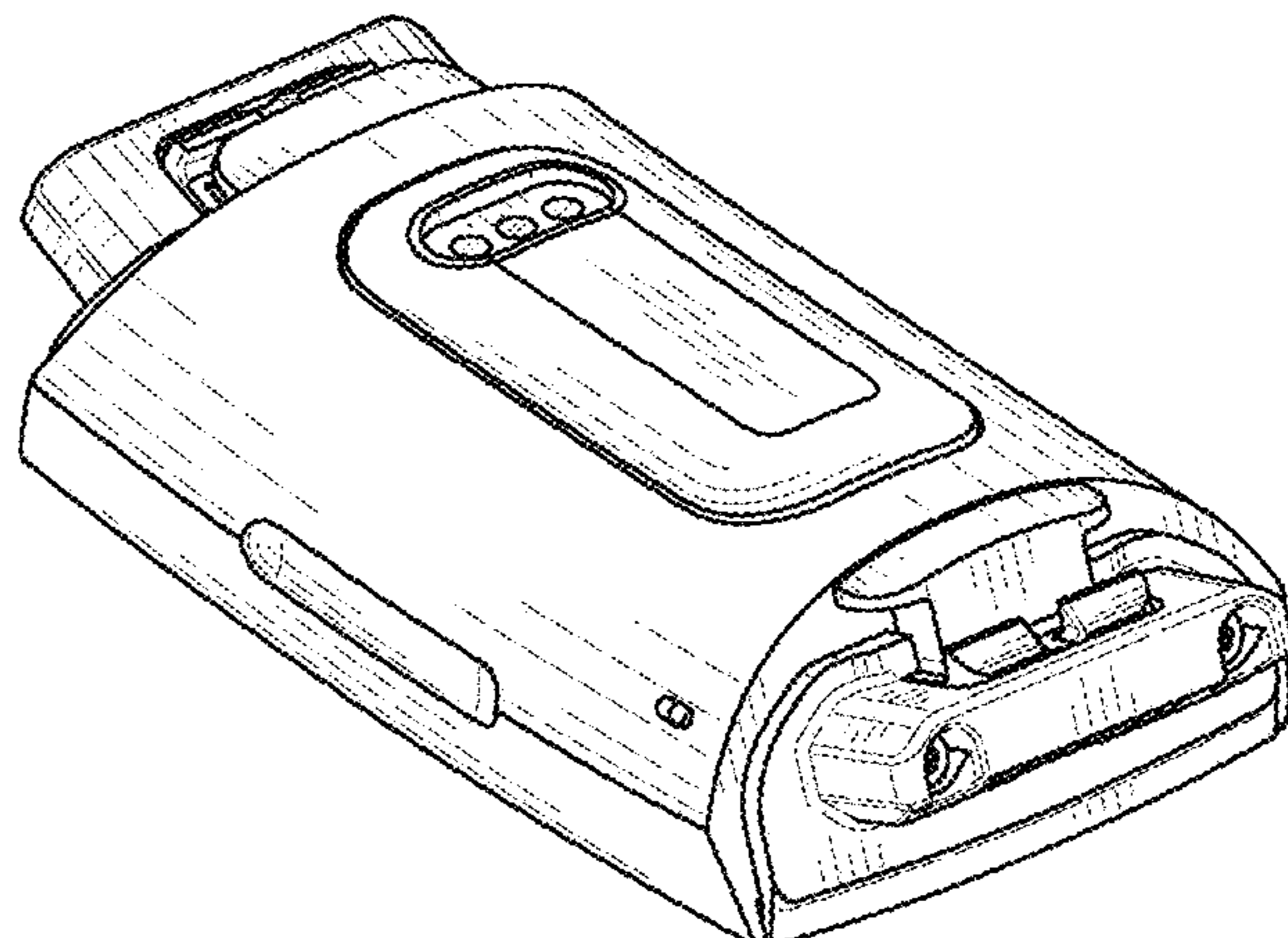
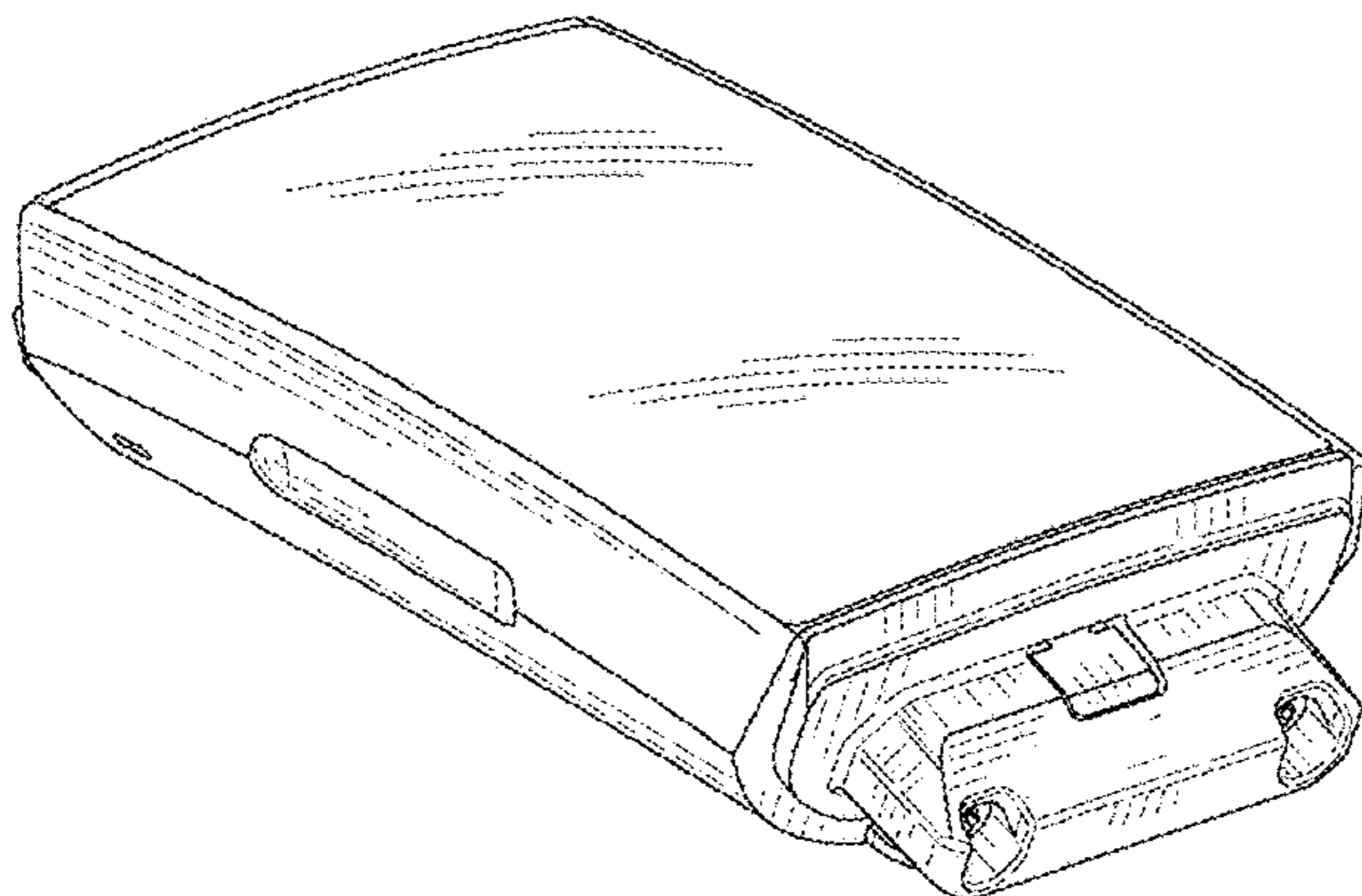
**Related U.S. Application Data**

(63) Continuation of application No. 29/645,397, filed on Apr. 25, 2018.

(51) **LOC (12) Cl.** ..... **14-02**

(52) **U.S. Cl.**  
USPC ..... **D14/344**; D24/186

(58) **Field of Classification Search**  
USPC .... D14/138 r, 144, 341, 344, 358, 388, 218;  
D10/30-39, 70, 98; D11/3, 4, 26, 93-94,  
D11/78.1, 79, 86; D24/167, 169,  
D24/186-187, 164  
CPC ..... A41D 1/002; A41D 19/0034; G06F 1/04;  
G06F 1/08; G06F 1/10; G06F 1/14; G06F  
1/1626; G06F 1/1628; G06F 1/163; G06F  
1/1635; G06F 1/3203; G06Q 20/10;  
G06Q 20/12; G06Q 20/108; G06Q  
20/145; H04B 1/3833; H04B 1/385;  
H04B 1/3888; H04M 1/02; H04M 1/03;



D743,820	S	11/2015	Song	
D744,356	S	12/2015	Akana et al.	
D745,421	S	12/2015	Akana et al.	
D745,515	S	12/2015	Solomon et al.	
D749,569	S	2/2016	Ji et al.	
D750,622	S	3/2016	Chen et al.	
D751,550	S	3/2016	Solomon et al.	
D752,043	S	3/2016	Ji et al.	
D752,578	S	3/2016	Ji et al.	
D756,824	S	5/2016	Akana et al.	
D757,574	S	5/2016	Song	
D757,819	S	5/2016	Akana et al.	
D758,363	S	6/2016	Akana et al.	
D759,011	S	6/2016	Akana et al.	
D759,623	S	6/2016	Dahlberg	
D762,210	S	7/2016	Lee et al.	
9,391,307	B2	7/2016	Ishibashi	
D763,107	S	8/2016	Nielsen et al.	
D765,072	S	8/2016	Kwon	
D765,655	S	9/2016	Tao	
D765,656	S	9/2016	Forakis	
D766,115	S	9/2016	Ma	
D766,752	S	9/2016	Akana et al.	
D766,893	S	9/2016	Akana et al.	
9,508,241	B2	11/2016	DePascale	
9,551,608	B2	1/2017	Cho et al.	
D784,327	S	4/2017	Akana et al.	
D784,831	S	4/2017	Akana et al.	
D790,365	S	6/2017	Nuovo et al.	
D790,366	S	6/2017	Nuovo et al.	
D793,565	S	8/2017	Saunamaki et al.	
D800,172	S	10/2017	Akana et al.	
D802,587	S	11/2017	Lee et al.	
D803,709	S	11/2017	Le Bihan et al.	
D805,929	S	12/2017	Akana et al.	
D806,599	S	1/2018	Nielsen et al.	
D807,765	S	1/2018	Akana et al.	
D808,961	S	1/2018	Lee et al.	
D809,510	S	2/2018	Rochat et al.	
10,038,361	B2	7/2018	Hajati et al.	
D846,747	S	4/2019	Lillquist et al.	
D850,317	S	* 6/2019	Hinds	D11/3
D858,517	S	* 9/2019	Kern	D14/344
D860,037	S	* 9/2019	Vandenbussche	D11/94
D860,989	S	* 9/2019	Choplin	D14/344
D861,678	S	* 10/2019	Kern	D14/344
D861,679	S	* 10/2019	Riot	D14/344
D862,459	S	* 10/2019	Choplin	D14/344
D863,095	S	* 10/2019	Akana	D11/3
D863,296	S	* 10/2019	Kern	D14/344
D864,956	S	* 10/2019	Kern	D14/344
D865,761	S	* 11/2019	Choplin	D14/344
2007/0070823	A1	* 3/2007	Sima	A44C 5/14 368/282
2014/0096345	A1	* 4/2014	Tschumi	G04B 37/1486 24/265 B
2016/0183390	A1	6/2016	Yang et al.	
2016/0374569	A1	12/2016	Breslow et al.	
2017/0100038	A1	4/2017	Narusawa	
2017/0340210	A1	11/2017	Chuang	
2018/0235327	A1	8/2018	Bayley et al.	
2018/0289116	A1	10/2018	McCray et al.	

FOREIGN PATENT DOCUMENTS

CN 207613311 U 7/2018

OTHER PUBLICATIONS

Fintie for Gear S2 Watch Band Stainless Steel Metal Replacement Strap, for sale at [www.amazon.com](http://www.amazon.com). Website accessed Apr. 24, 2019.

Microsoft Band 2 Fitness Tracker with Curved Screen Announced, posted Oct. 7, 2015, [retrieved Jun. 5, 2019]. Retrieved from Internet, < URL: <https://gadgets.in.com/microsoft-band-2-fitness-tracker-with-curved-screen-announced.html> >.

The New Fitbit Inspire HR Is Finally Available to the Public!, posted Mar. 6, 2019, [retrieved Jun. 5, 2019]. Retrieved from Internet, <URL: <https://anyeverafter.com/new-fitbit-inspire-hr-smartwatch/> >.

Fitbit Inspire HR review: One size, many styles, fit all, posted May 24, 2019, [retrieved Jun. 5, 2019]. Retrieved from Internet, <URL: <https://www.mnacworld.com/article/3397320/fit-bit-inspire-hr-review.html> >.

Samsung's 6th smartwatch has a 3G modem and a massive curved display, posted Aug. 28, 2014, [retrieved Jun. 5, 2019]. Retrieved from Internet, <URL: <https://arstechnica.com/gadgets/2014/08/samsungs-6th-smartwatch-has-a-3g-modern-and-a-massive-curved-display/> >.

U.S. Appl. No. 29/572,967, filed Aug. 1, 2016, applicant Fitbit, Inc.

U.S. Appl. No. 29/593,260, filed Feb. 7, 2017, applicant Fitbit, Inc.

U.S. Appl. No. 29/593,261, filed Feb. 7, 2017, applicant Fitbit, Inc.

U.S. Appl. No. 29/596,216, filed Mar. 6, 2017, applicant Fitbit, Inc.

U.S. Appl. No. 29/602,541, filed May 1, 2017, applicant Fitbit, Inc.

U.S. Appl. No. 29/625,052, filed Nov. 7, 2017, applicant Fitbit, Inc.

U.S. Appl. No. 29/520,607, filed Mar. 16, 2015, applicant Fitbit, Inc.

U.S. Appl. No. 29/524,027, filed Apr. 15, 2015, applicant Fitbit, Inc.

U.S. Appl. No. 29/541,368, filed Oct. 2, 2015, applicant Fitbit, Inc.

U.S. Appl. No. 29/568,588, filed Jun. 20, 2016, applicant Fitbit, Inc.

U.S. Appl. No. 29/621,239, filed Oct. 5, 2017, applicant Fitbit, Inc.

U.S. Appl. No. 29/614,464, filed Aug. 18, 2017, applicant Fitbit, Inc.

U.S. Appl. No. 29/548,501, filed Dec. 14, 2015, applicant Fitbit, Inc.

U.S. Appl. No. 29/564,199, filed May 11, 2016, applicant Fitbit, Inc.

U.S. Appl. No. 29/614,479, filed Aug. 18, 2017, applicant Fitbit, Inc.

U.S. Appl. No. 29/522,853, filed Apr. 2, 2015, applicant Fitbit, Inc.

U.S. Appl. No. 29/522,858, filed Apr. 2, 2015, applicant Fitbit, Inc.

U.S. Appl. No. 29/540,741, filed Aug. 28, 2015, applicant Fitbit, Inc.

Acbee Replacement watch band with buckle for Fitbit Alta for sale at [www.amazon.com](http://www.amazon.com), Website accessed Nov. 7, 2018.

Perfit rubber watch band with double prong buckle and spring bars for sale at [www.amazon.com](http://www.amazon.com). Website accessed Nov. 7, 2018.

Waterproof diving silicone rubber strap with clasp for sale at [www.aliexpress.com](http://www.aliexpress.com) (Alibaba Group). Website accessed Feb. 7, 2018.

Damusy Fitness Tracker Smart Band for sale at [www.activityandfitnesstrackers.com](http://www.activityandfitnesstrackers.com). Website accessed Nov. 10, 2018.

Volemer F09HR Smart Band Fitness Tracker for sale at [www.epaky.com](http://www.epaky.com). Website accessed Nov. 10, 2018.

"First Look: Fitbit announces new Fitbit Alta activity tracker", published Feb. 3, 2016 on DC Rainmaker ([www.dcrainmaker.com](http://www.dcrainmaker.com)). Website accessed Nov. 10, 2018.

Fitbit Alta—for sale by Fitbit (<https://www.fitbit.com/alta>). Website accessed Mar. 27, 2017.

Fitbit Alta replacement bands—for sale at [www.amazon.com](http://www.amazon.com). Website accessed Jul. 17, 2017.

Fitbit Alta review published Mar. 25, 2016 on CNet ([www.cnet.com](http://www.cnet.com)). Website accessed 2018-11-110.

Fitbit Charge 2 Heart Rate and Fitness Wristband for sale at [www.amazon.co.uk](http://www.amazon.co.uk). Website accessed Feb. 7, 2018.

Fitbit Flex Wireless Activity and Sleep Wristband for sale at [www.amazon.com](http://www.amazon.com). Listed at least as early as Apr. 16, 2013.

Fitbit Ionic Accessory Band for sale at Nordstrom (<https://shop.nordstrom.com>). Website accessed Nov. 7, 2018.

Fitbit Alta HR Bands for sale at The Fitness Equipment Shop ([www.thefitnessequipmentshop.com](http://www.thefitnessequipmentshop.com)). Website accessed Nov. 17, 2018.

Luminox Replacement Rubber Watch Band Strap for sale at Walmart ([www.walmart.com](http://www.walmart.com)). Website accessed Nov. 7, 2018.

"MPOW DS-D6 Fitness Band Review" published Jan. 13, 2018 on ZeroAir ([www.zeroair.wordpress.com](http://www.zeroair.wordpress.com)). Website accessed Nov. 10, 2018.

"Fitbit Product Teardown" on Pinterest, pinned from [www.ifixit.com](http://www.ifixit.com). Website accessed Feb. 27, 2017.

Pro Elite Medicine Ball by Power Systems ([www.power-systems.com](http://www.power-systems.com)). Website accessed Feb. 7, 2018.

Replacement metal watch band Connector for Fitbit Alta/Fitbit Alta HR for sale at Banggood (www.banggood.com). Website accessed Nov. 10, 2018.

Citrine by the Stones Sol Forearm Band for sale at Shopbop (www.shopbop.com). Website accessed Nov. 11, 2018.

Gorjana Mia Wrap Cuff for sale at Shopbop (www.shopbop.com). Website accessed Nov. 11, 2018.

Marc by Marc Jacobs Engraved Turlock Leather Bangle Bracelet for sale at Shopbop (www.shopbop.com). Website accessed Nov. 11, 2018.

Monserat de Lucca Measuring Tape Bracelet for sale at Shopbop (www.shopbop.com). Website accessed Nov. 11, 2018.

Suppa G-Shock Strap Adapters, online at least as early as Dec. 13, 2013. Accessed Feb. 7, 2017.

Suunto Core watchband on Instagram. Accessed Feb. 7, 2017.

GK Fitbit Alta Bands—replacement sport strap bands for Fitbit Alta for sale at Walmart (www.walmart.com). Website accessed Nov. 7, 2018.

\* cited by examiner

*Primary Examiner* — Karen E Kearney

*Assistant Examiner* — Kristin E Reed

(74) *Attorney, Agent, or Firm* — Polson Intellectual Property Law, PC; Margaret Polson

(57) **CLAIM**

The ornamental design for a body of a smart watch with health monitor sensor, as shown and described.

**DESCRIPTION**

FIG. 1 is a top, right side isometric view of our new design for a smart watch with health monitor sensor with wrist bands attached, in a first embodiment.

FIG. 2 is a top, left side isometric view of FIG. 1 with the bands removed from the body.

FIG. 3 is a top, left side isometric view of the body of the smart watch of FIG. 1.

FIG. 4 is a left side elevation view of FIG. 3.

FIG. 5 is a right side elevation view of FIG. 3.

FIG. 6 is a front side elevation view of FIG. 3.

FIG. 7 is a back side elevation view of FIG. 3.

FIG. 8 is a top plan view of FIG. 3.

FIG. 9 is a bottom plan view of FIG. 3.

FIG. 10 is a bottom, left side isometric view of FIG. 3.

FIG. 11 is a top, right side isometric view of our new design for the smart watch with health monitor sensor showing our new design, in a second embodiment.

FIG. 12 is a left side elevation view of FIG. 11.

FIG. 13 is a right side elevation view of FIG. 11.

FIG. 14 is a front side elevation view of FIG. 11.

FIG. 15 is a back side elevation view of FIG. 11.

FIG. 16 is a top plan view of FIG. 11.

FIG. 17 is a bottom plan view of FIG. 11; and,

FIG. 18 is a bottom, left side isometric view of FIG. 11.

The features shown in broken lines in the drawing depict environmental subject matter only, and form no part of the claimed design.

**1 Claim, 10 Drawing Sheets**

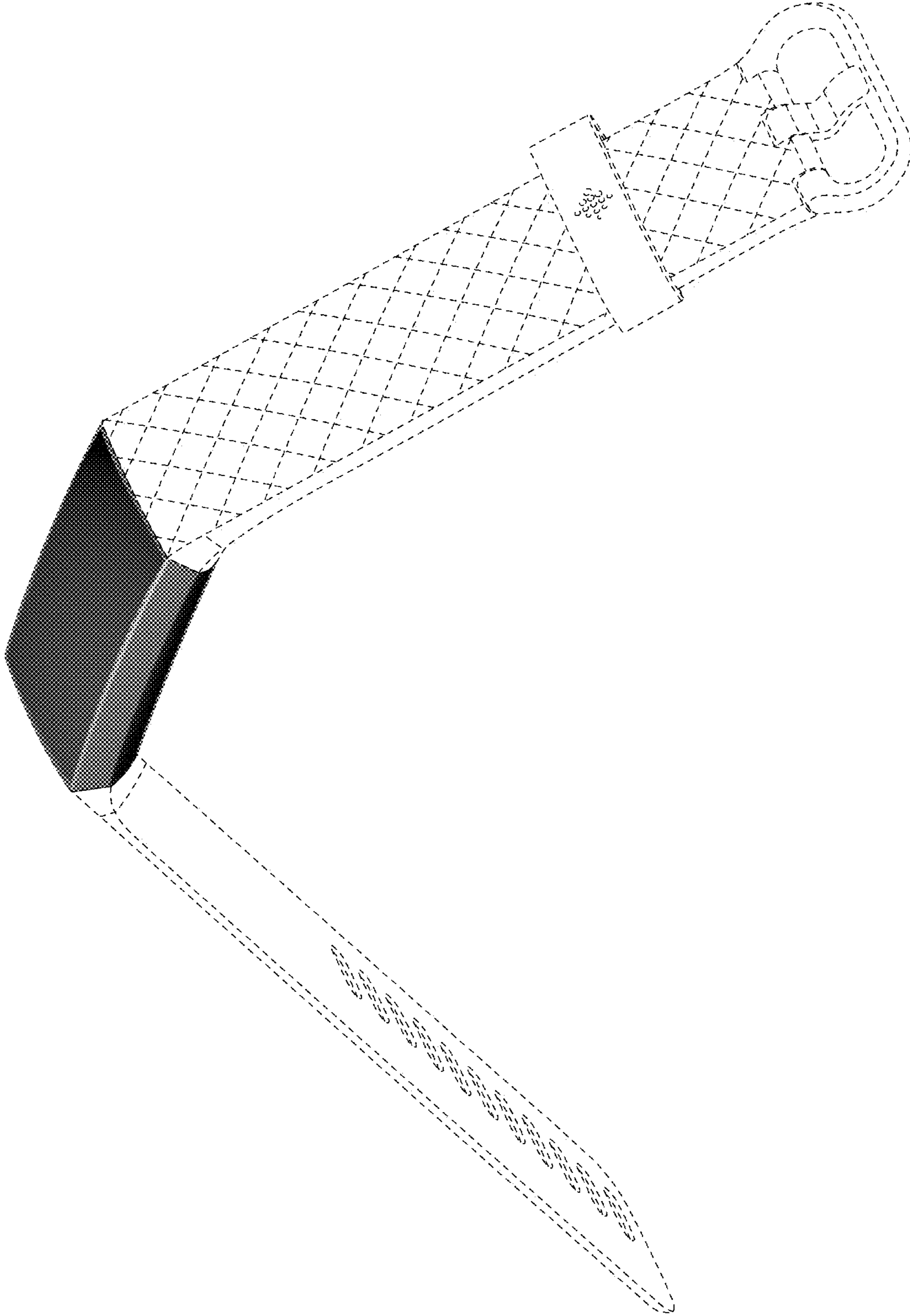


FIG. 1

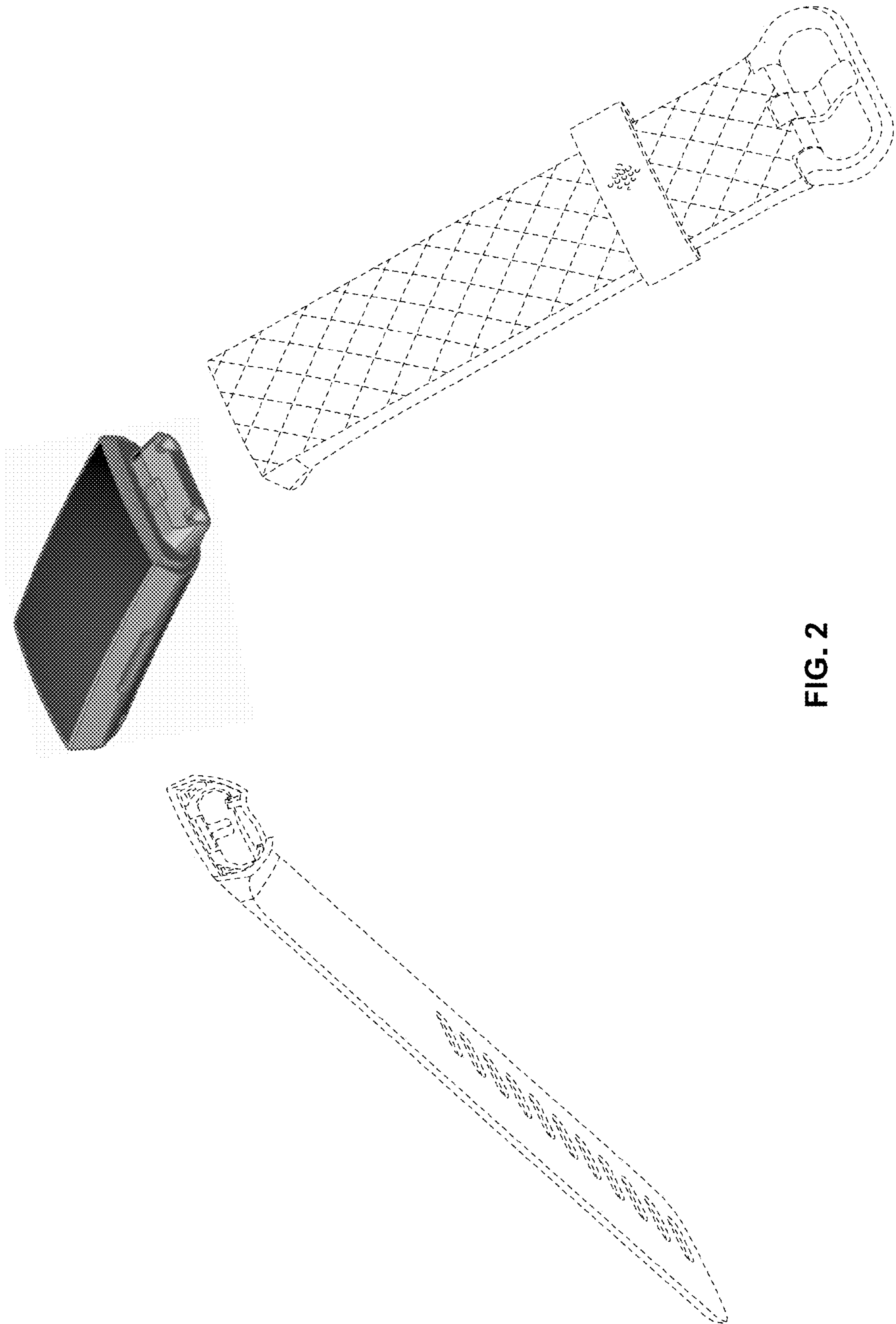


FIG. 2

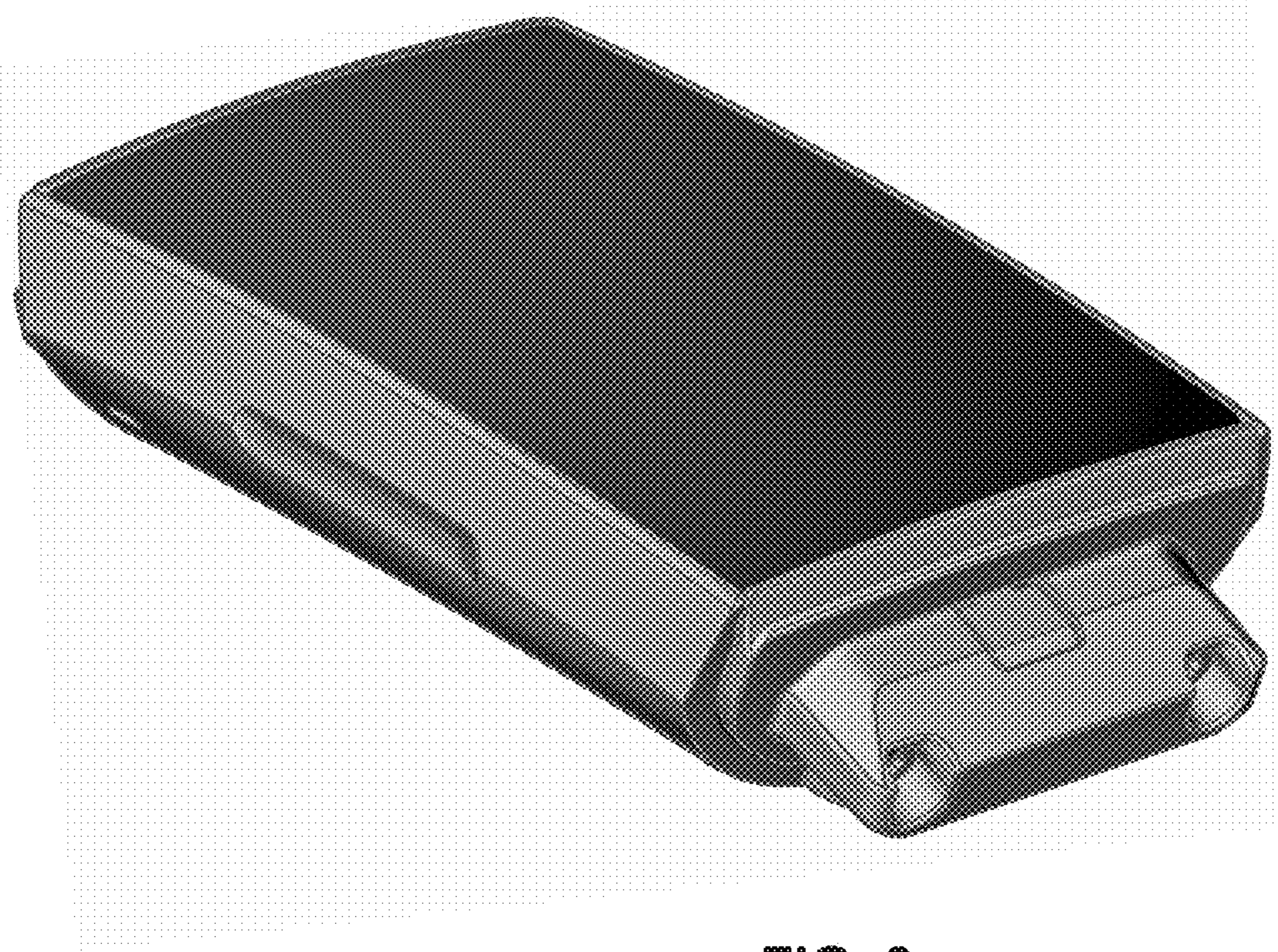


FIG. 3

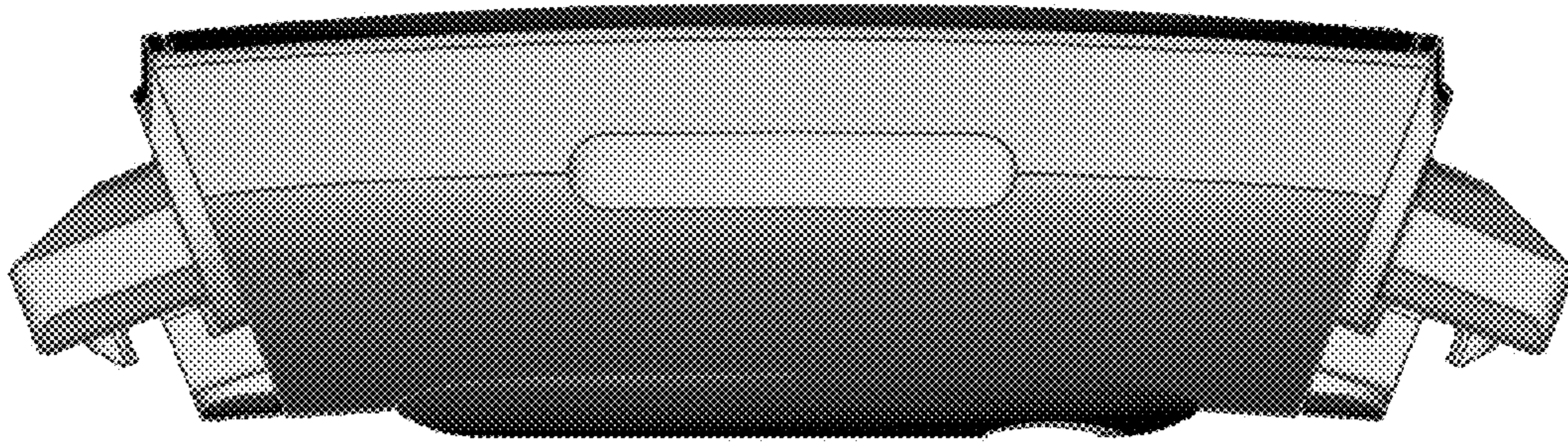


FIG. 4

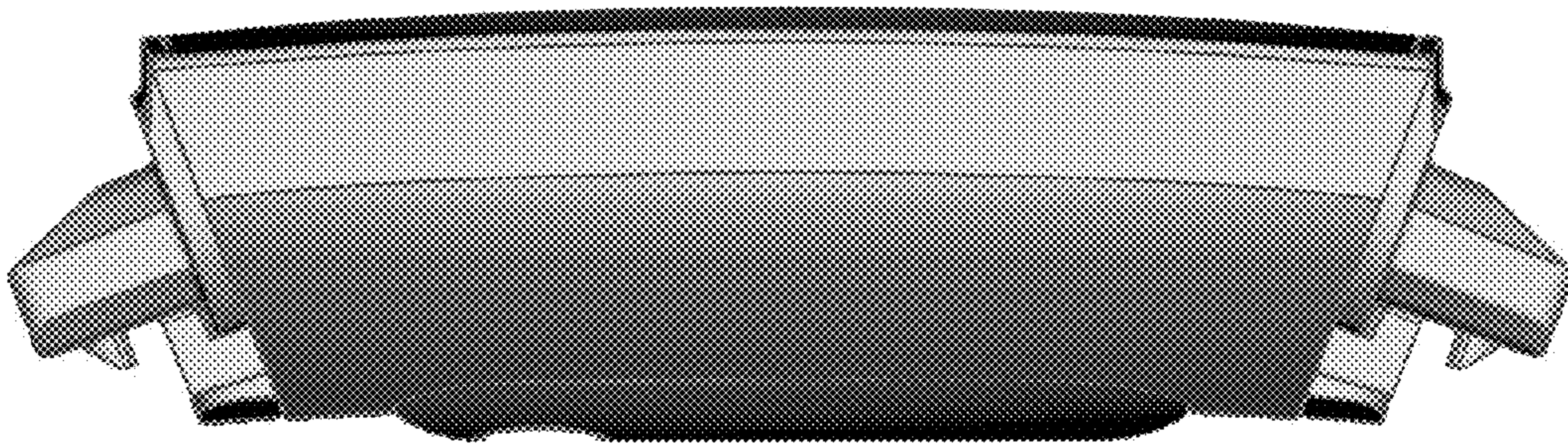


FIG. 5

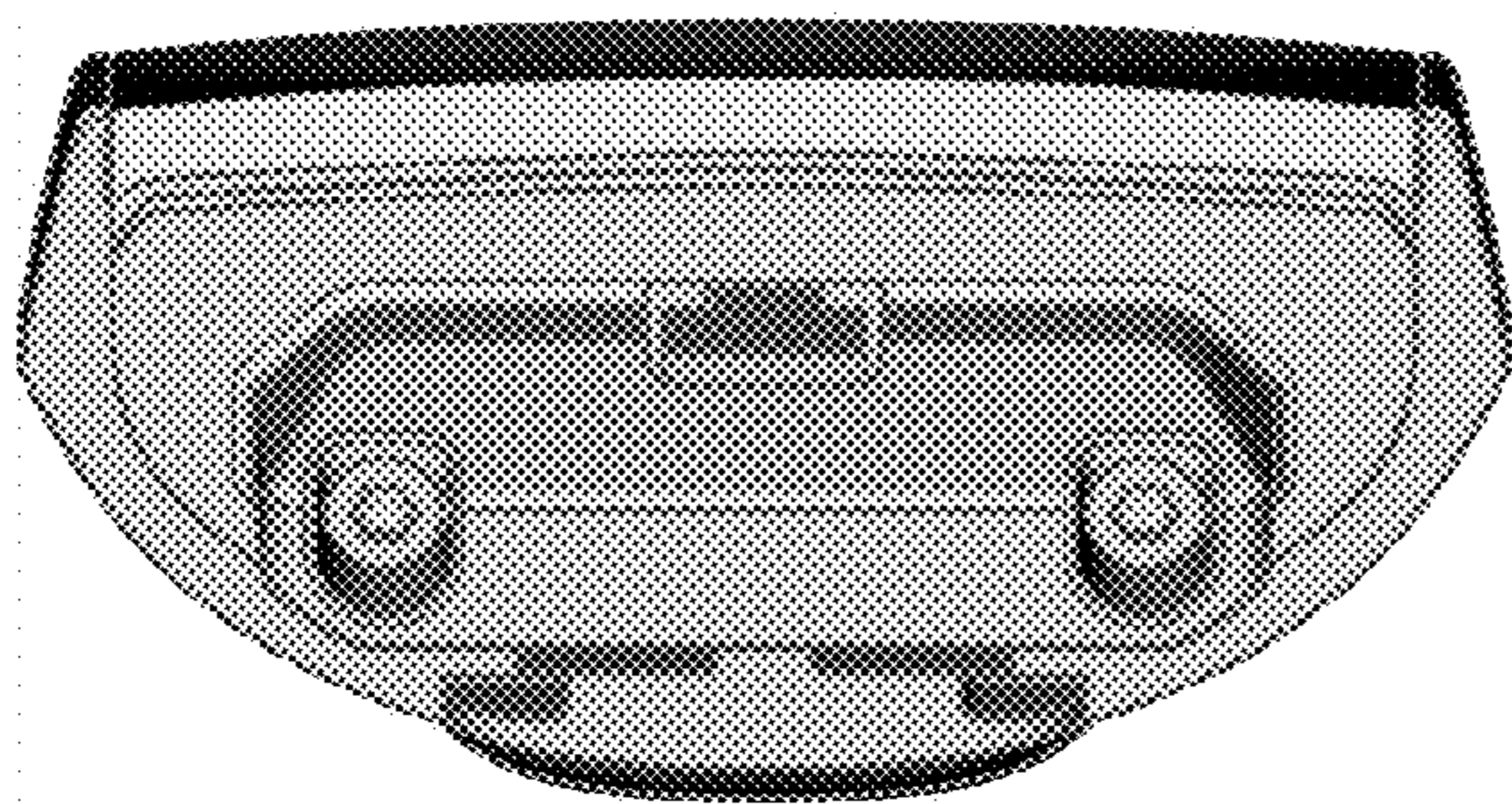


FIG. 6

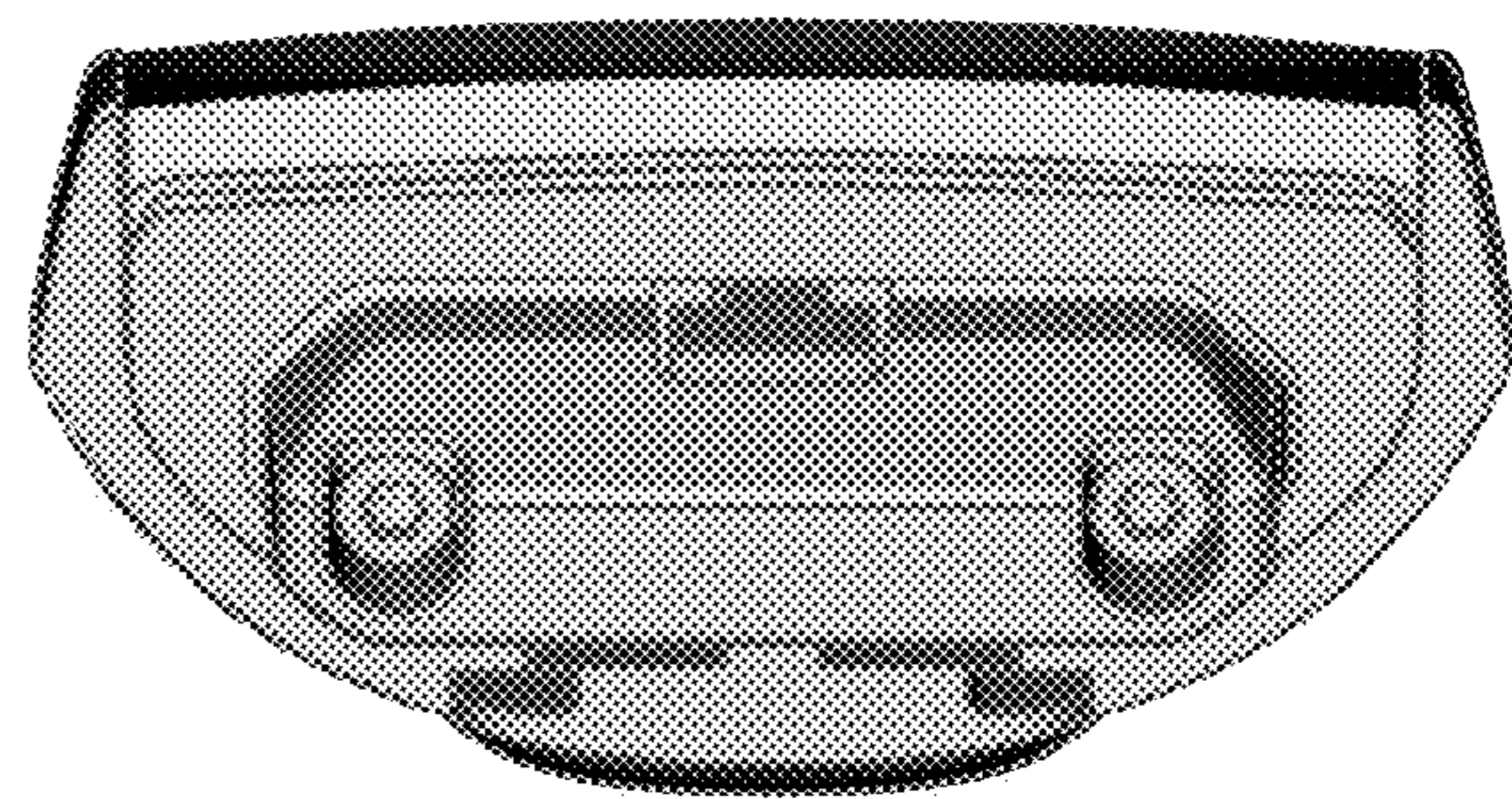


FIG. 7

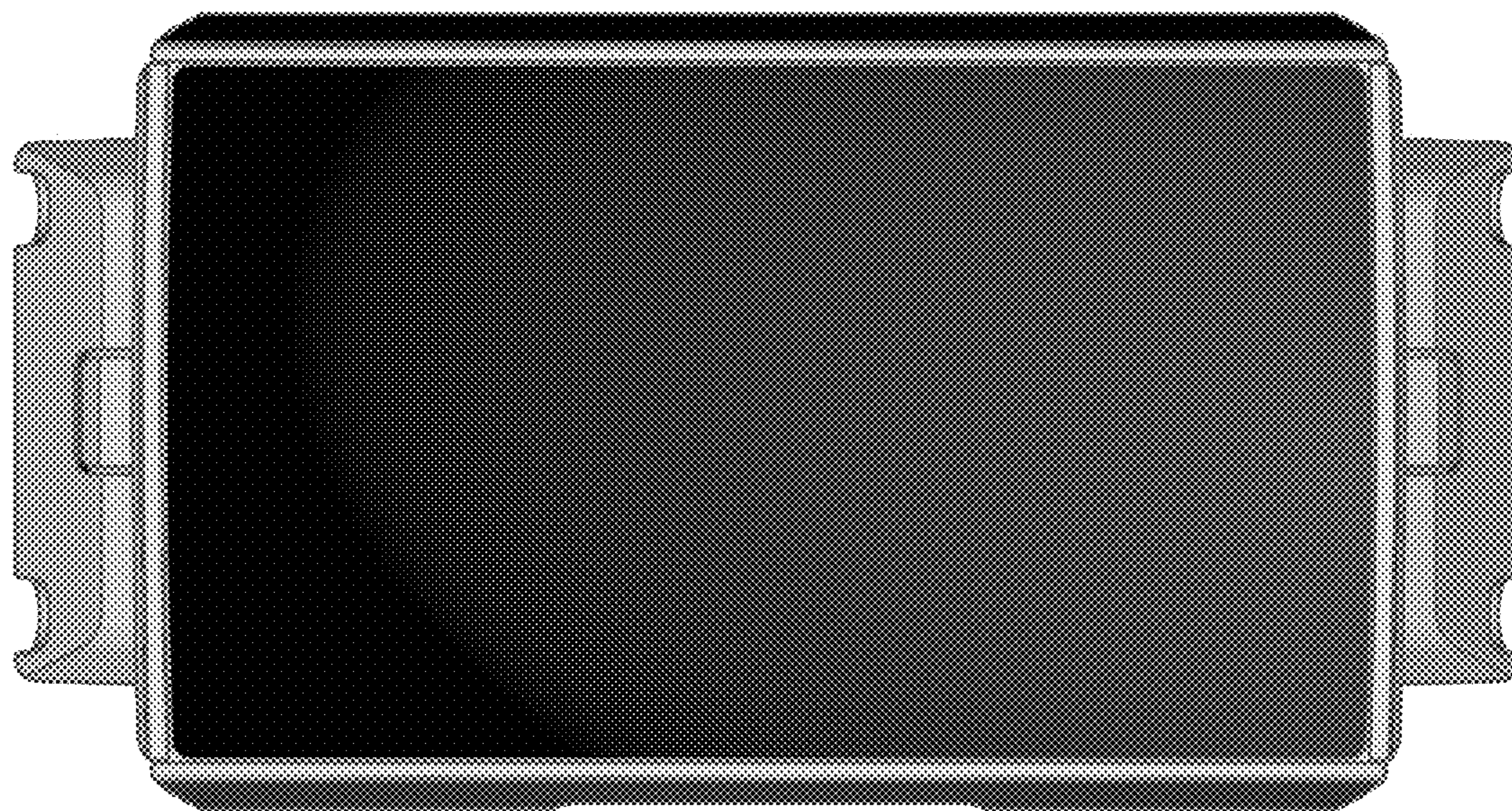


FIG. 8

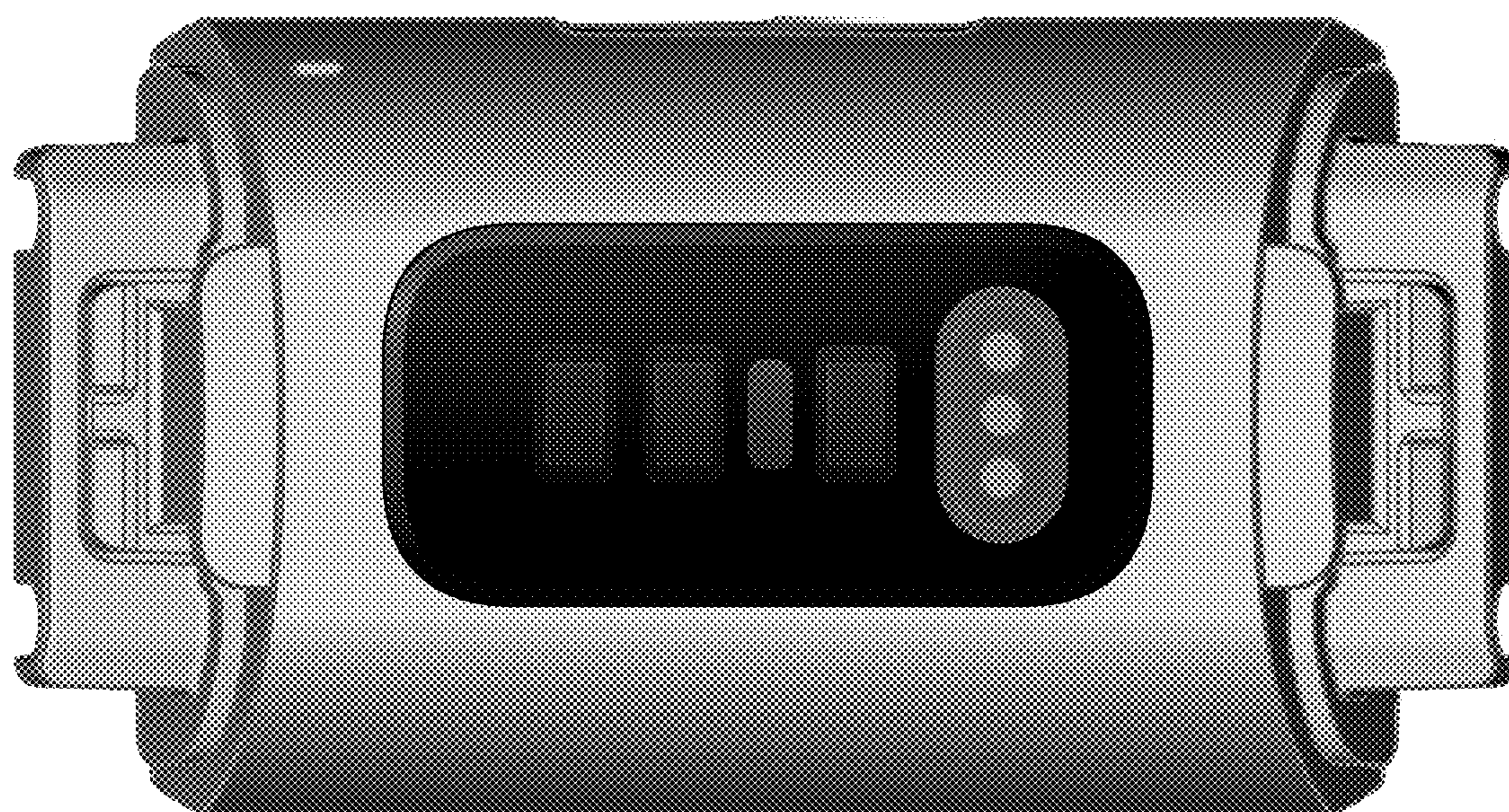


FIG. 9





FIG. 10

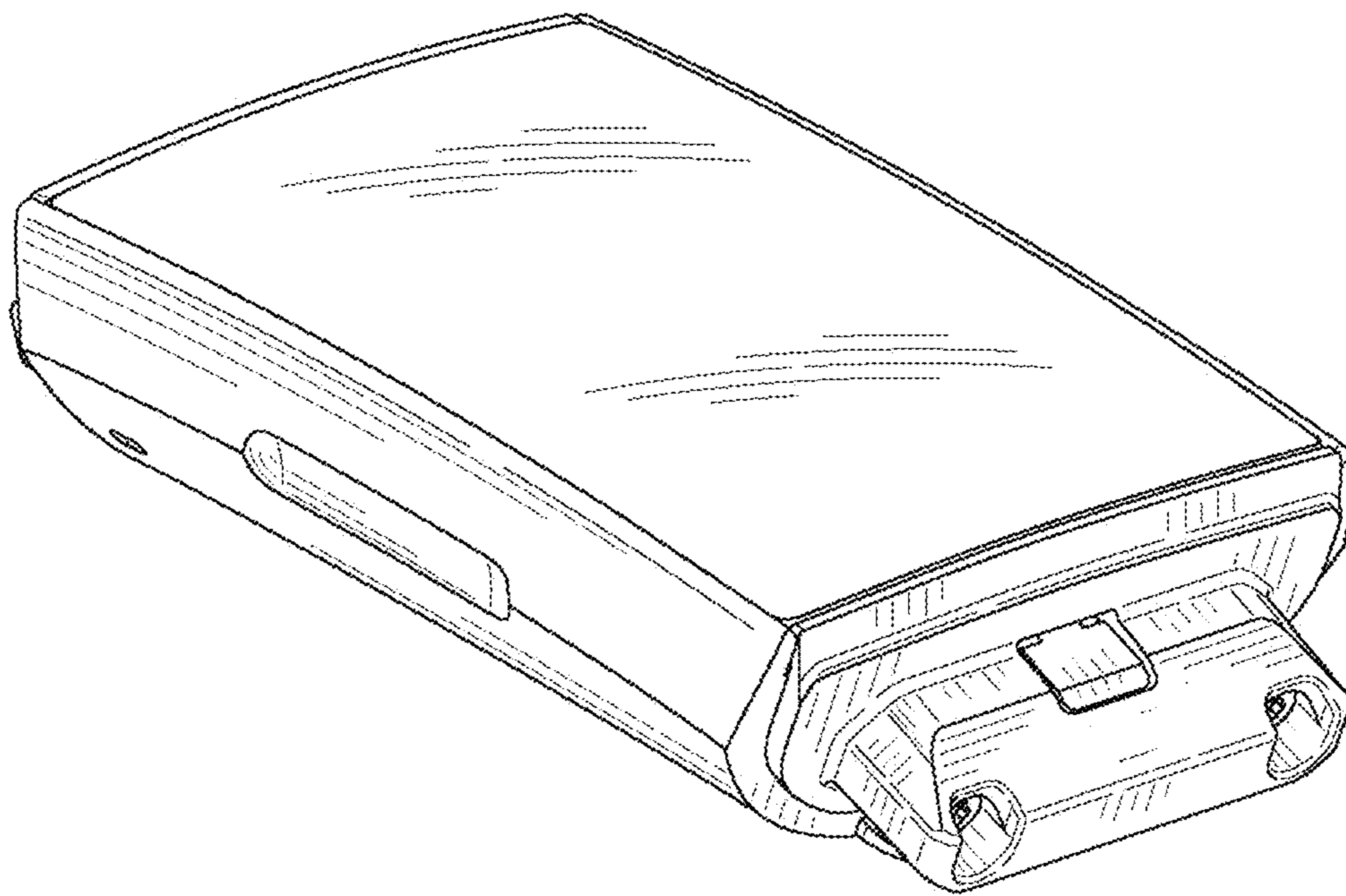


FIG. 11

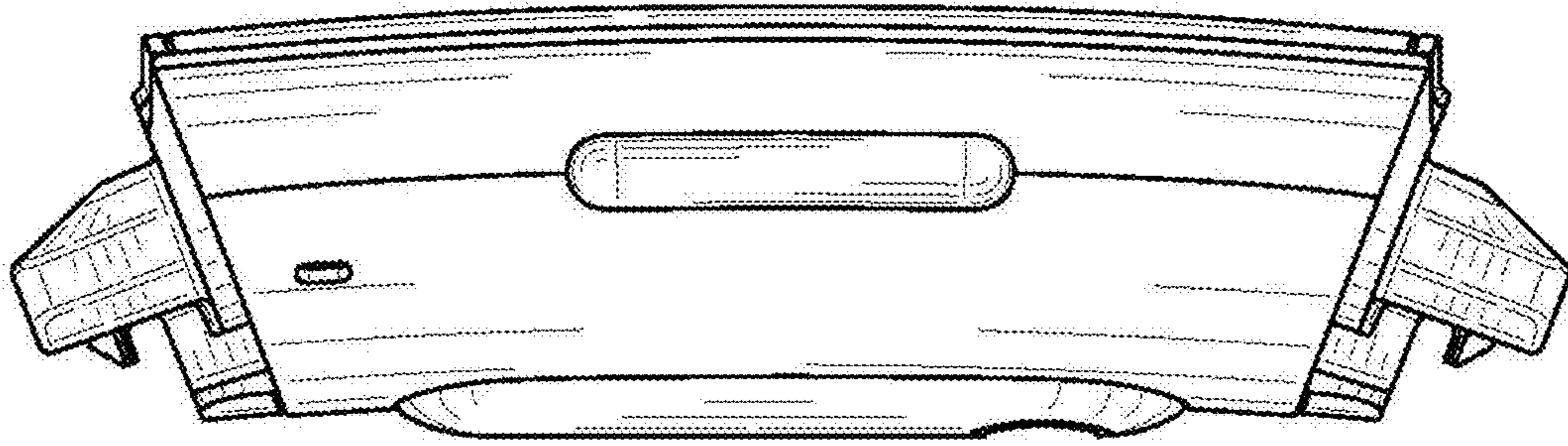


FIG. 12



FIG. 13

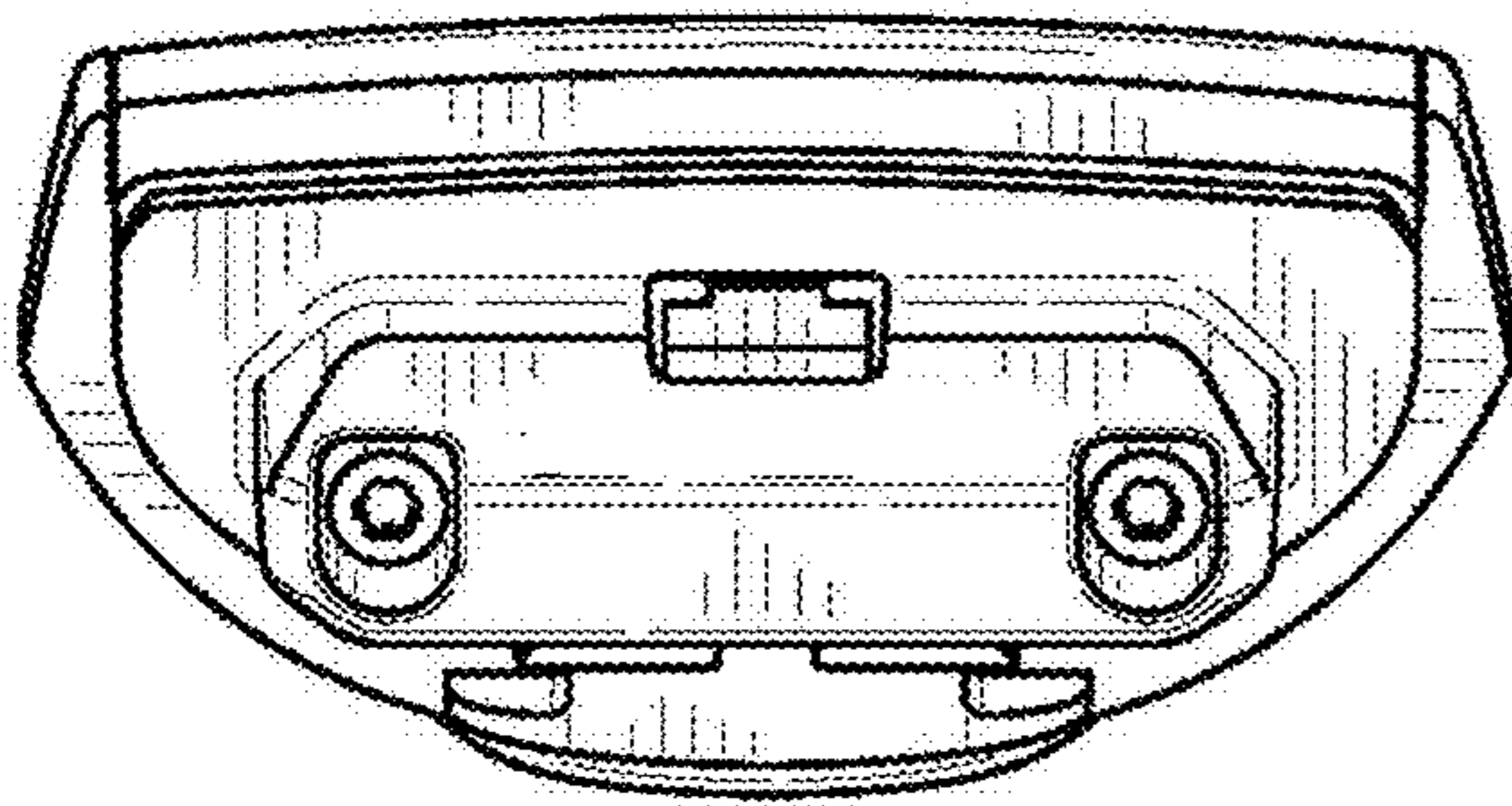


FIG. 14

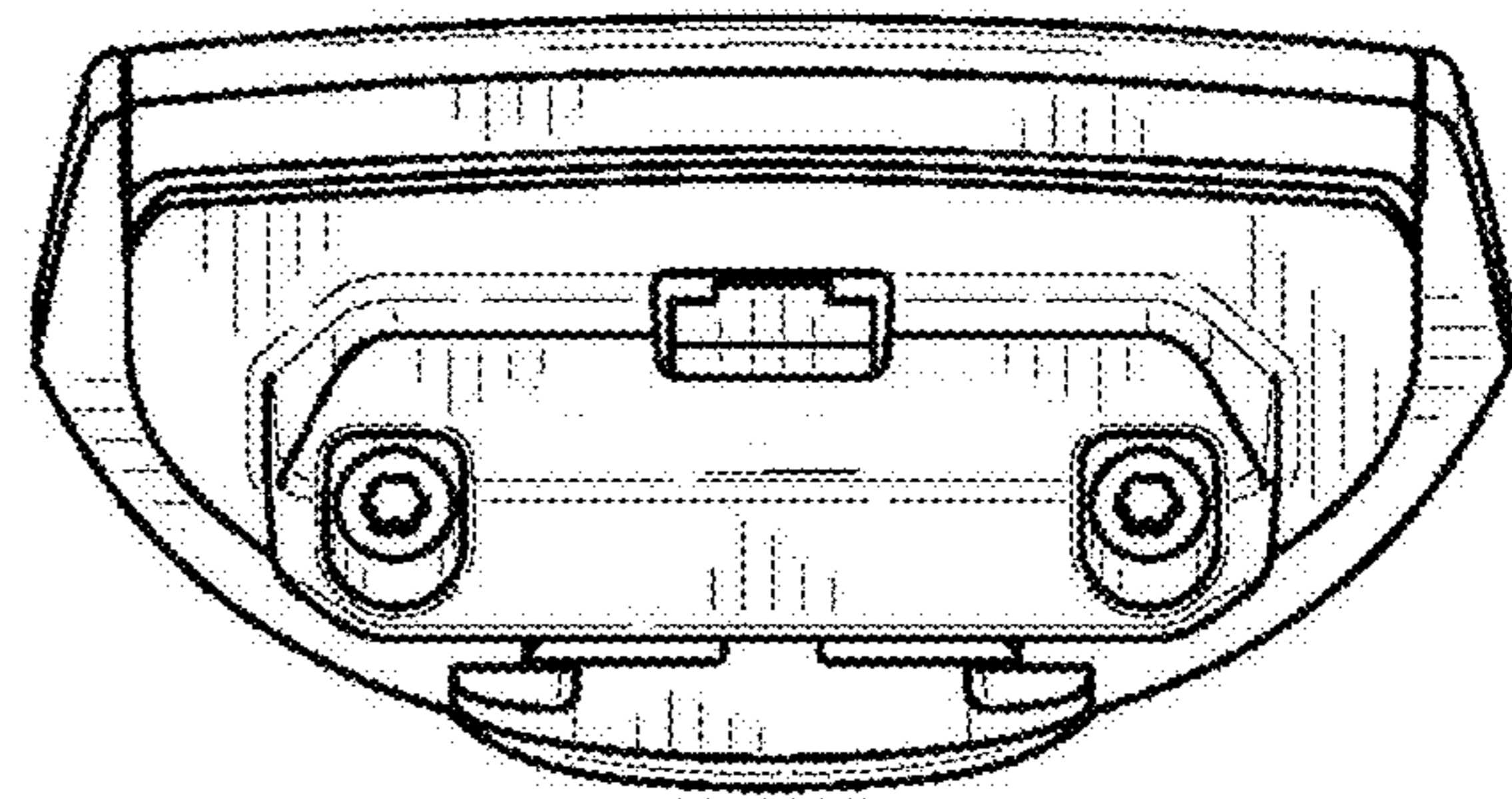


FIG. 15

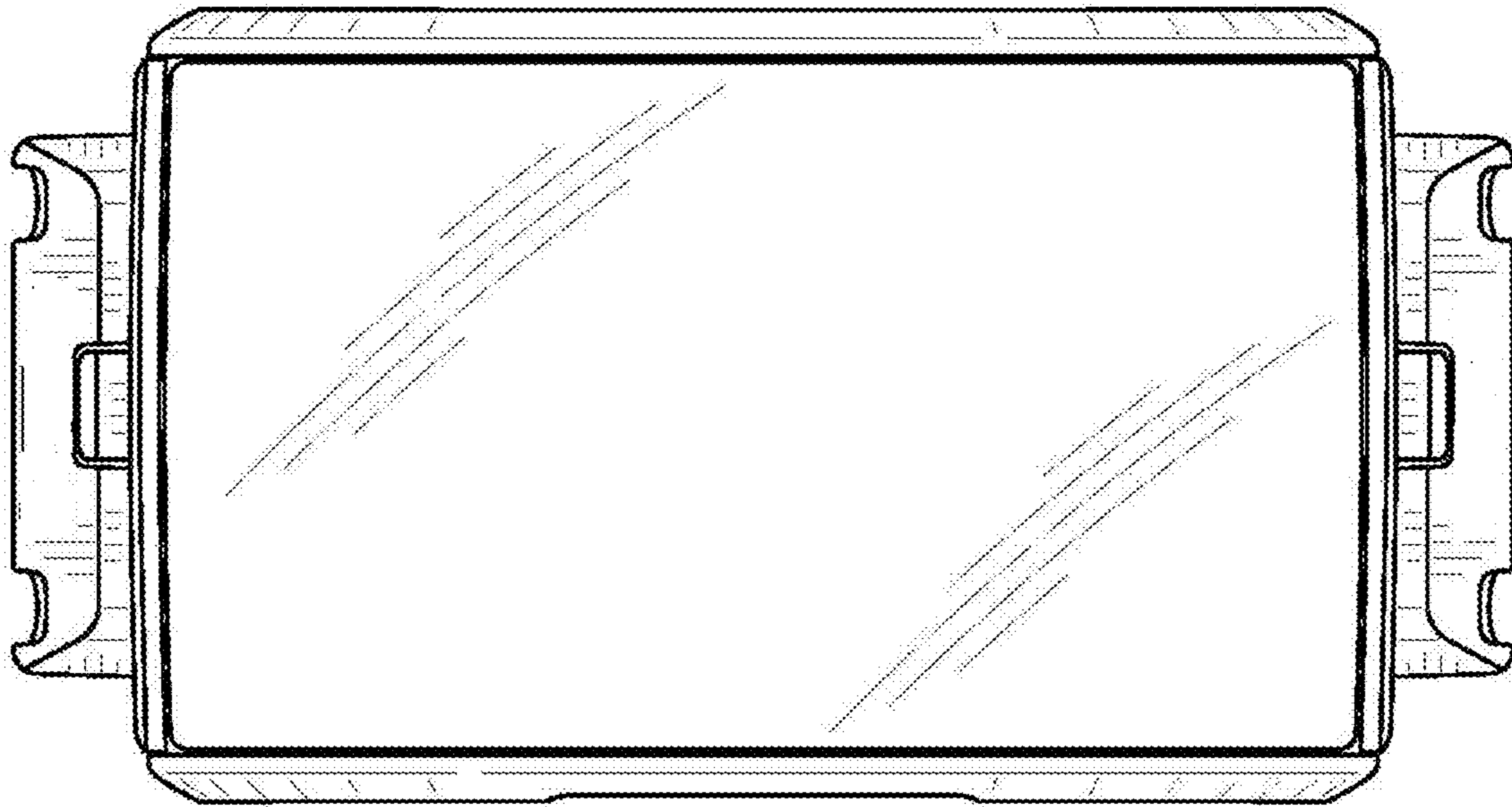


FIG. 16

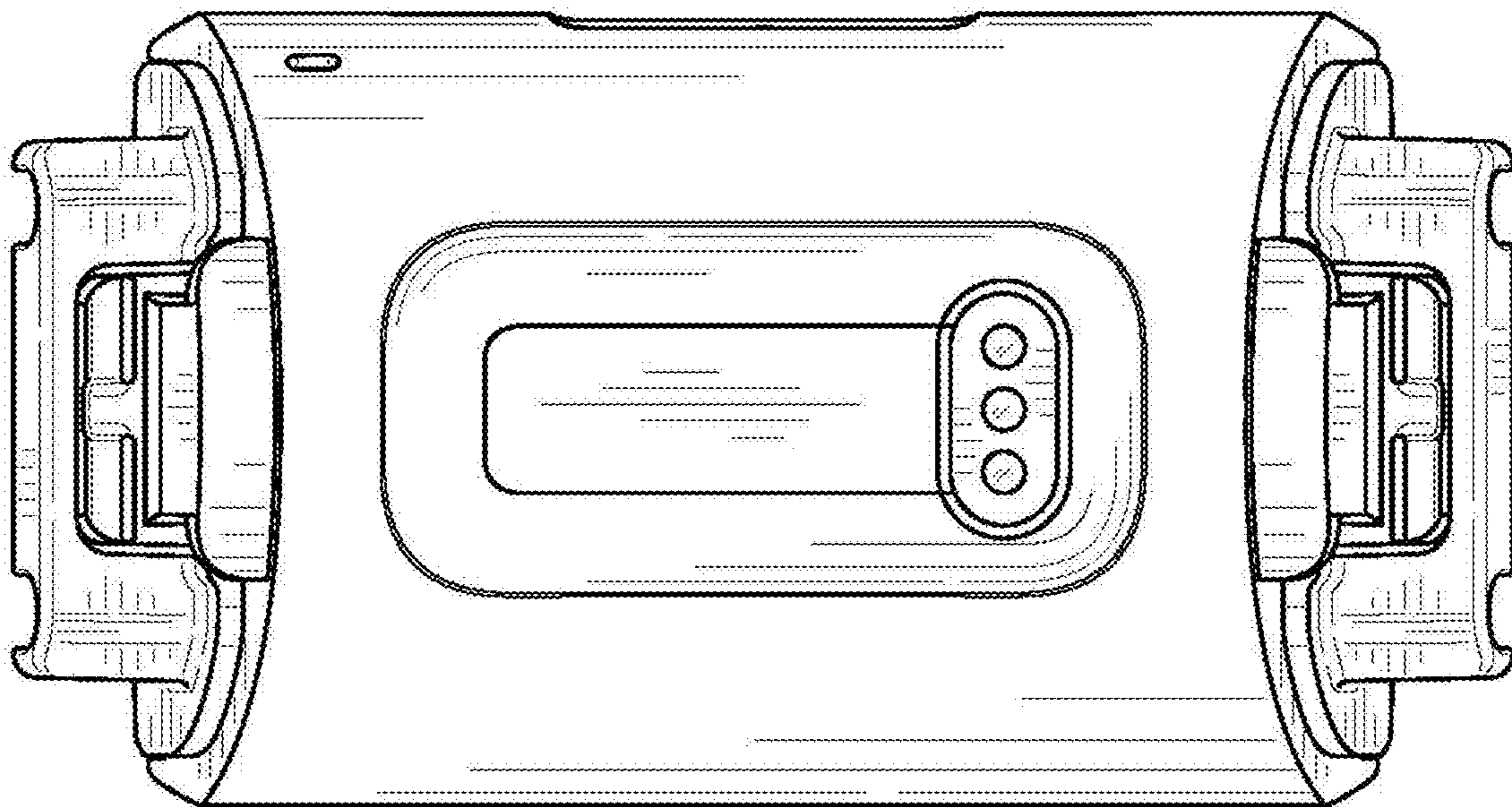


FIG. 17

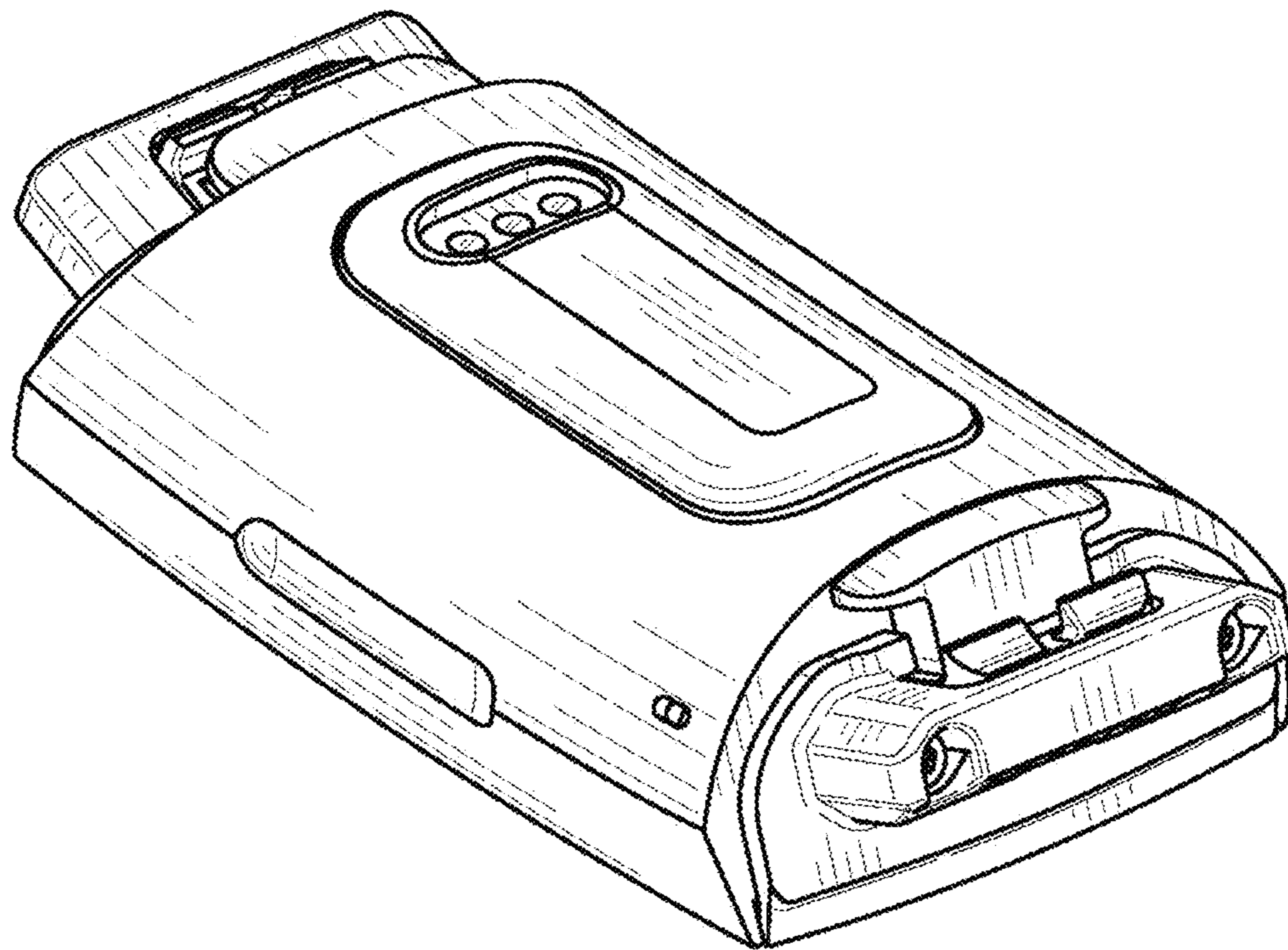


FIG. 18