



US00D878361S

(12) **United States Design Patent** (10) **Patent No.:** **US D878,361 S**
Little et al. (45) **Date of Patent:** **** Mar. 17, 2020**

(54) **COMPUTER**

(71) Applicant: **Hewlett-Packard Development Company, L.P.**, Houston, TX (US)
(72) Inventors: **Joshua Glenn Little**, Palo Alto, CA (US); **Vicki Huichi Chuang**, Houston, TX (US); **Jin Chai**, Palo Alto, CA (US)
(73) Assignee: **Hewlett-Packard Development Company, L.P.**, Spring, TX (US)

(**) Term: **15 Years**

(21) Appl. No.: **29/635,703**

(22) Filed: **Feb. 1, 2018**

(51) **LOC (12) Cl.** **14-02**

(52) **U.S. Cl.**
USPC **D14/314**

(58) **Field of Classification Search**
USPC D14/300, 301, 308, 314, 348-349, D14/353-354, 356-358; D3/208, 216
CPC G06F 13/00; G06F 16/00; G06F 16/10; G06F 1/1628; G06F 1/163; G06F 1/16; H01H 2231/002
See application file for complete search history.

(56) **References Cited**

U.S. PATENT DOCUMENTS

D282,260 S *	1/1986	Carlson	D14/435
D510,934 S *	10/2005	Lin	D14/349
D517,074 S *	3/2006	Kubota	D14/349
D588,593 S *	3/2009	Hamaguchi	D14/300
D615,968 S *	5/2010	Herbst	D14/300
D617,795 S	6/2010	Seo et al.		
D642,580 S	8/2011	Lee et al.		
D644,646 S	9/2011	Lee et al.		
D670,294 S *	11/2012	Kuehn	D14/441
D691,126 S *	10/2013	Morton	D14/300
D693,336 S *	11/2013	Youens	D14/300
D748,618 S	2/2016	Ent et al.		

D763,245 S	8/2016	Jasinski et al.		
D763,246 S *	8/2016	Jasinski	D14/300
D768,129 S	10/2016	Chen		
D768,625 S *	10/2016	Lucaci	D14/349
D769,863 S *	10/2016	Little	D14/300
D794,016 S *	8/2017	Probst	D14/349
D837,207 S *	1/2019	Widiaman	D14/349

* cited by examiner

Primary Examiner — Sandra S Snapp
Assistant Examiner — Katherine Glennon
(74) *Attorney, Agent, or Firm* — HP Inc. Patent Department

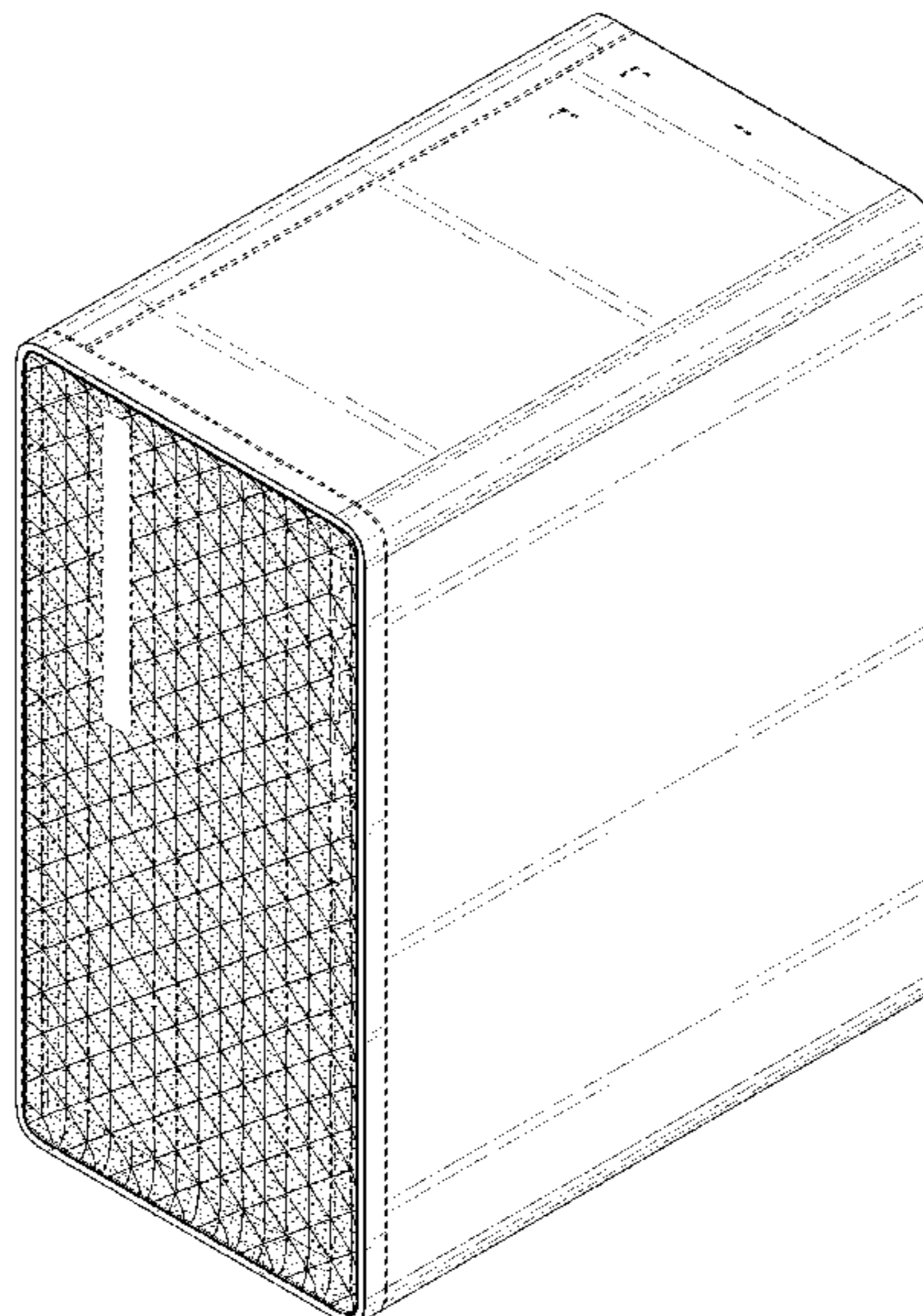
(57) **CLAIM**

The ornamental design for a computer, as shown and described.

DESCRIPTION

FIG. 1 is a front, top, left-side perspective view of a computer in accordance with our new design; FIG. 2 is a front elevational view of the computer shown in FIG. 1; FIG. 3 is a rear elevational view of the computer shown in FIG. 1; FIG. 4 is a right-side elevational view of the computer shown in FIG. 1; FIG. 5 is a left-side elevational view of the computer shown in FIG. 1; FIG. 6 is a top plan view of the computer shown in FIG. 1; FIG. 7 is a bottom plan view of the computer shown in FIG. 1; and, FIG. 8 is a rear, bottom, right-side perspective view of the computer shown in FIG. 1. The broken lines within the figures represents portions of the computer that form no part of the claimed design. The stippling represents a contrast in appearance between the stippled areas and the non-stippled areas, and no particular color, material, or finish is claimed.

1 Claim, 8 Drawing Sheets



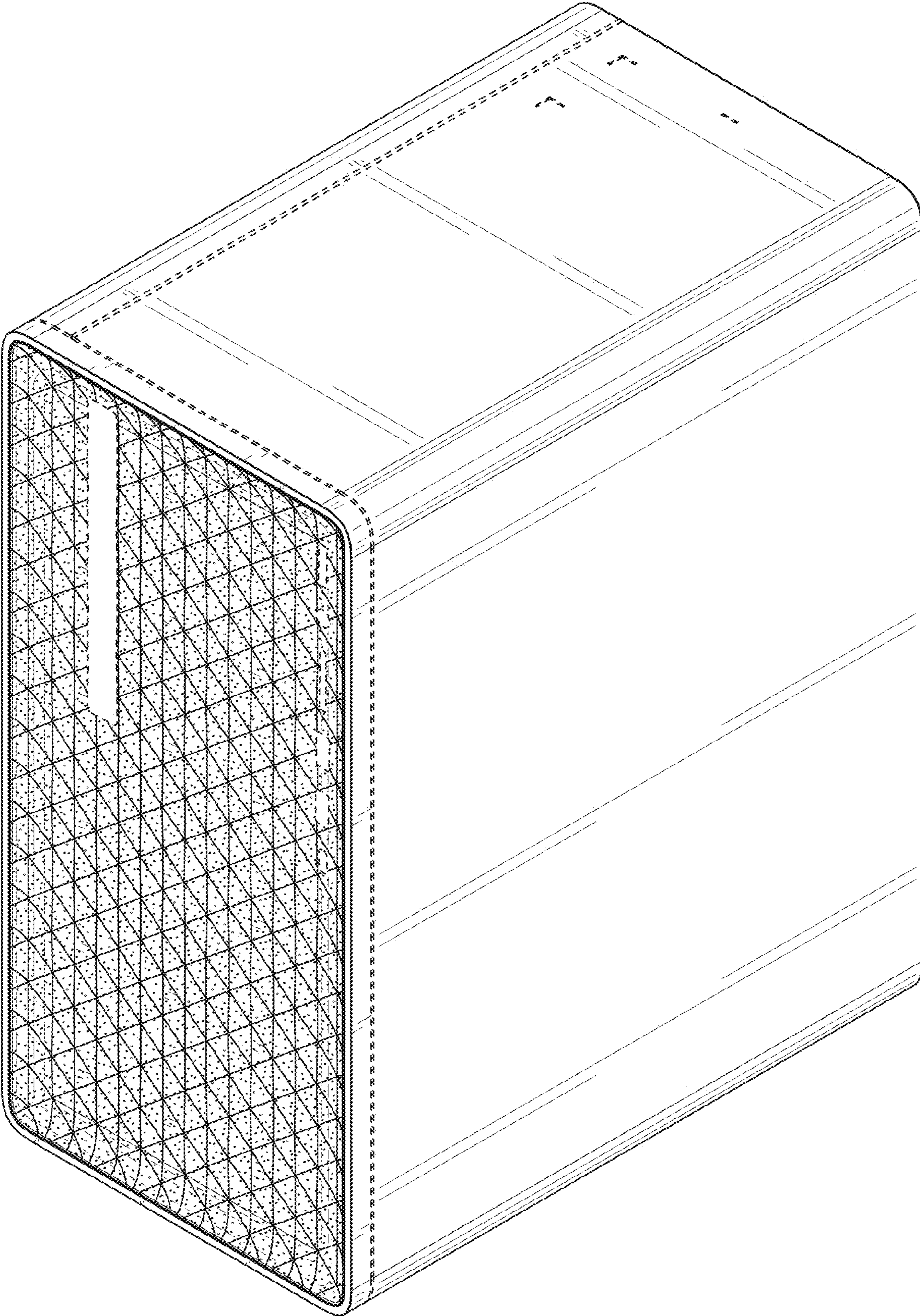


FIG. 1

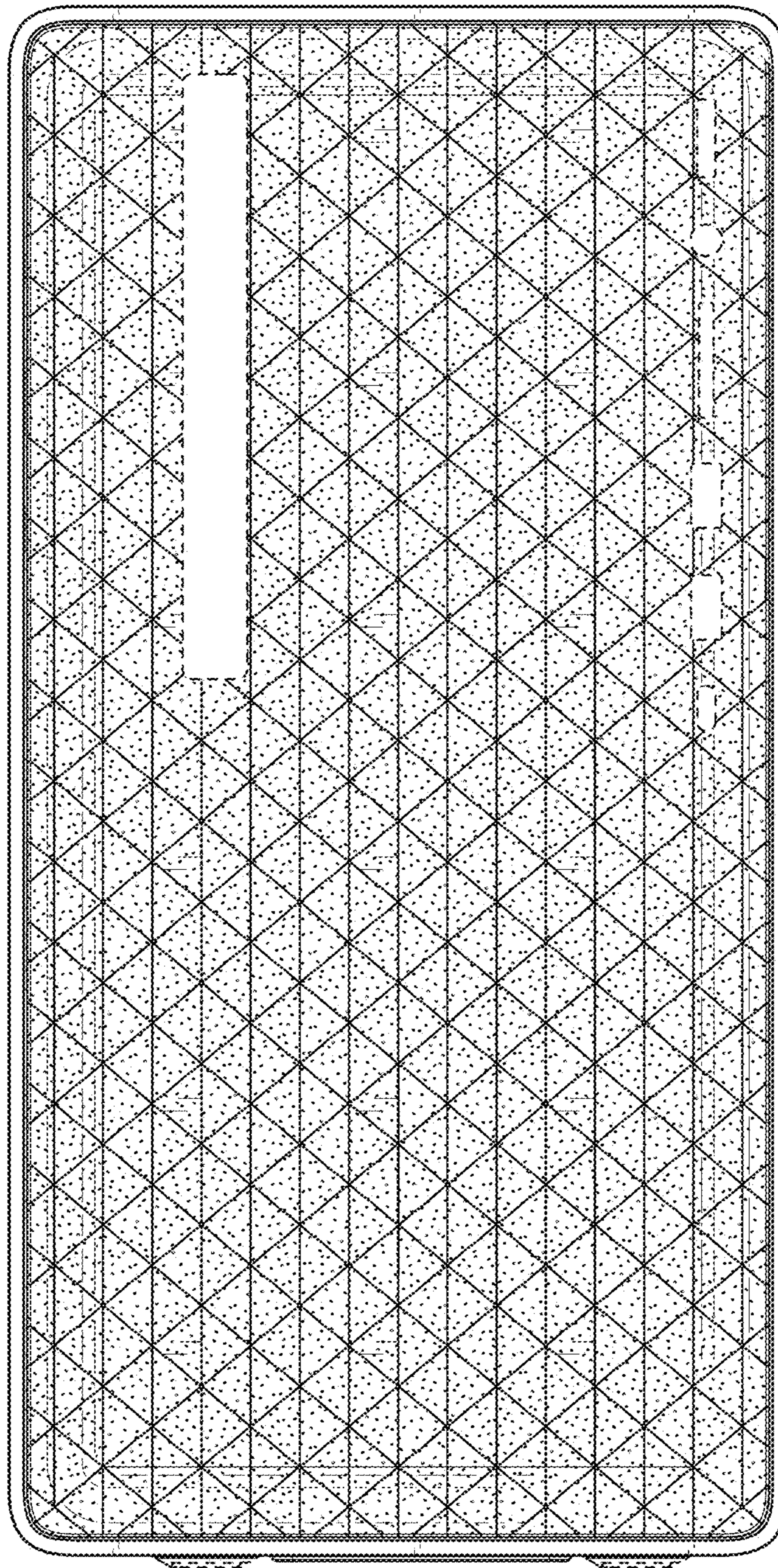


FIG. 2

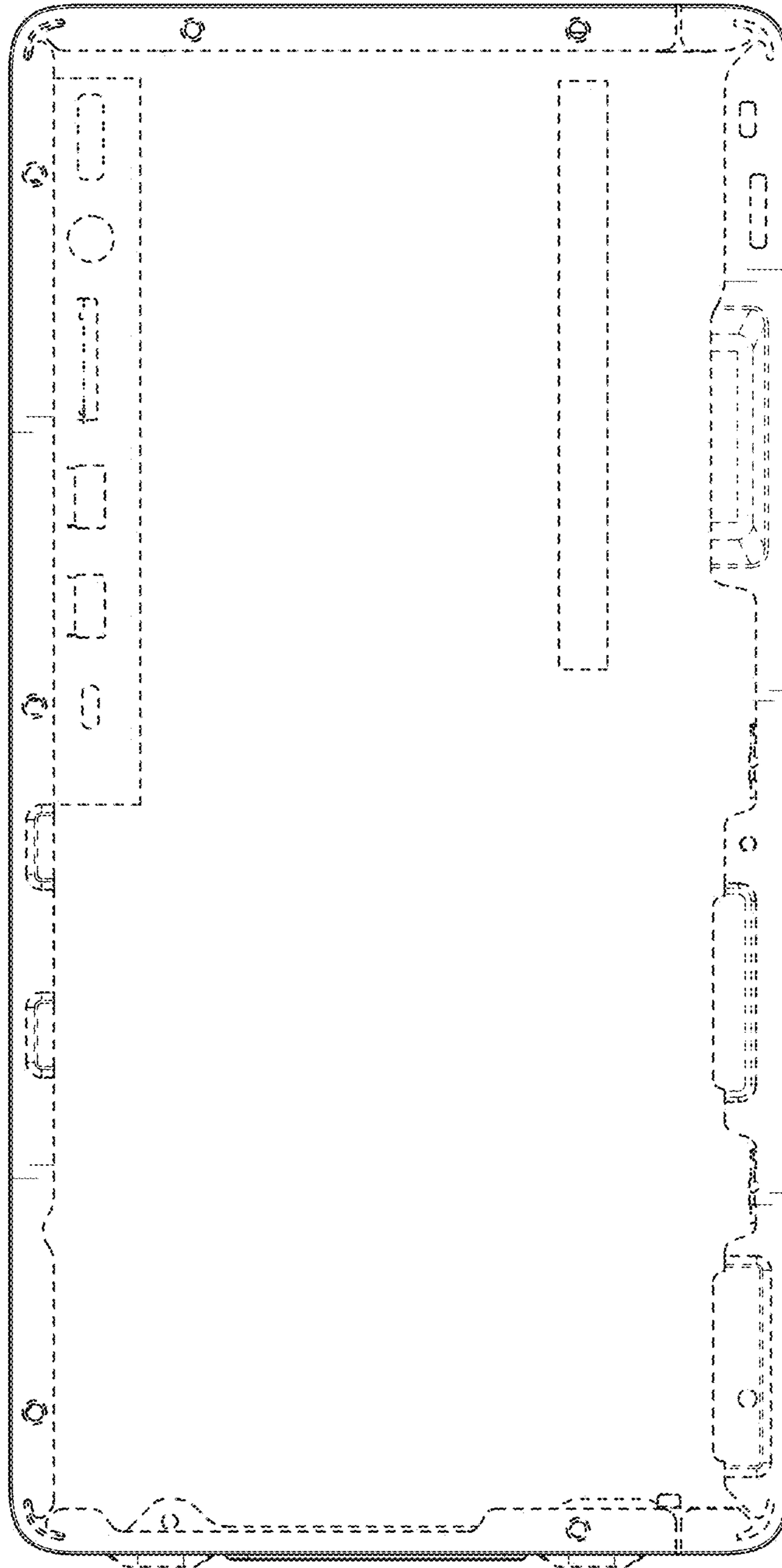


FIG. 3

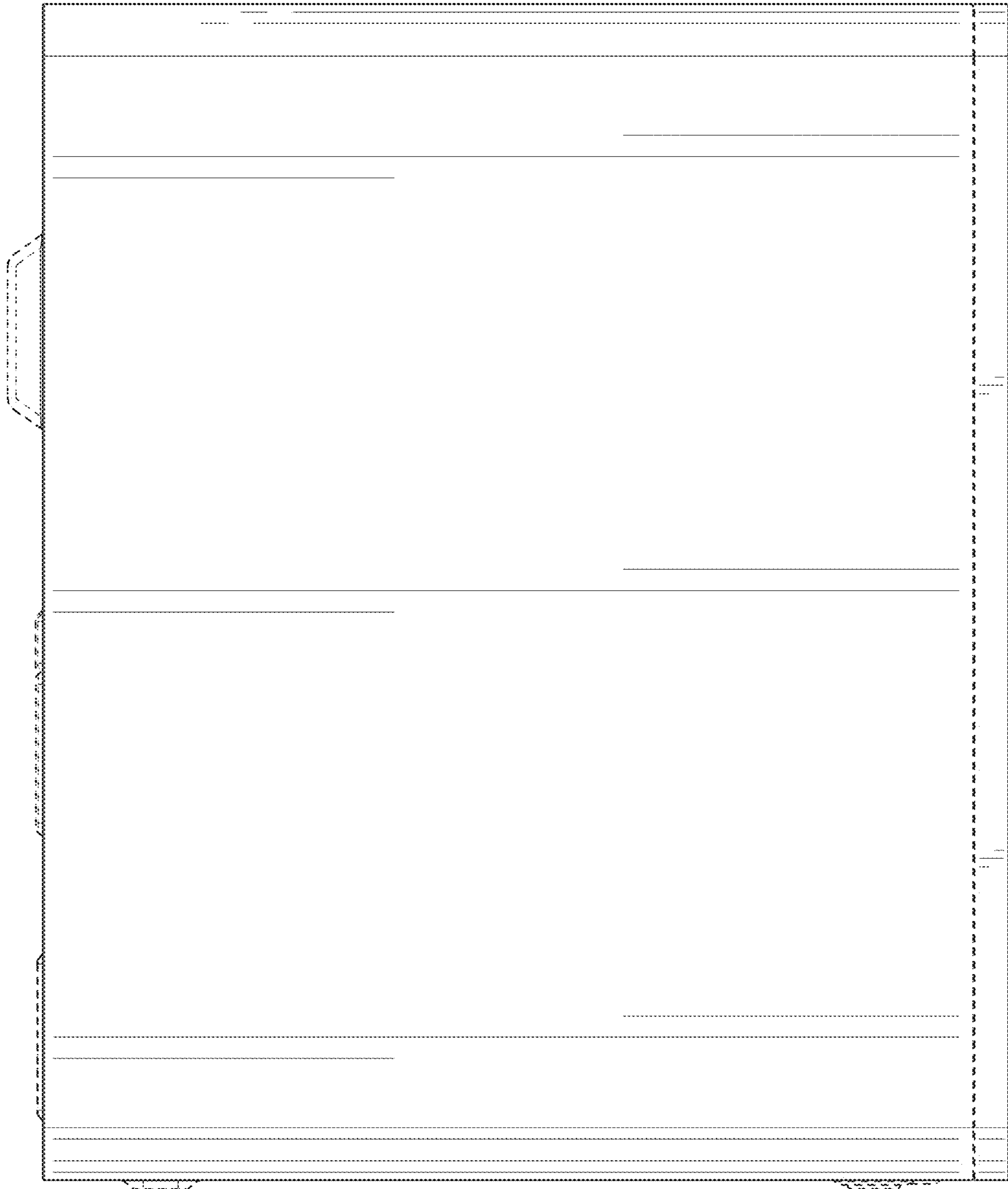


FIG. 4

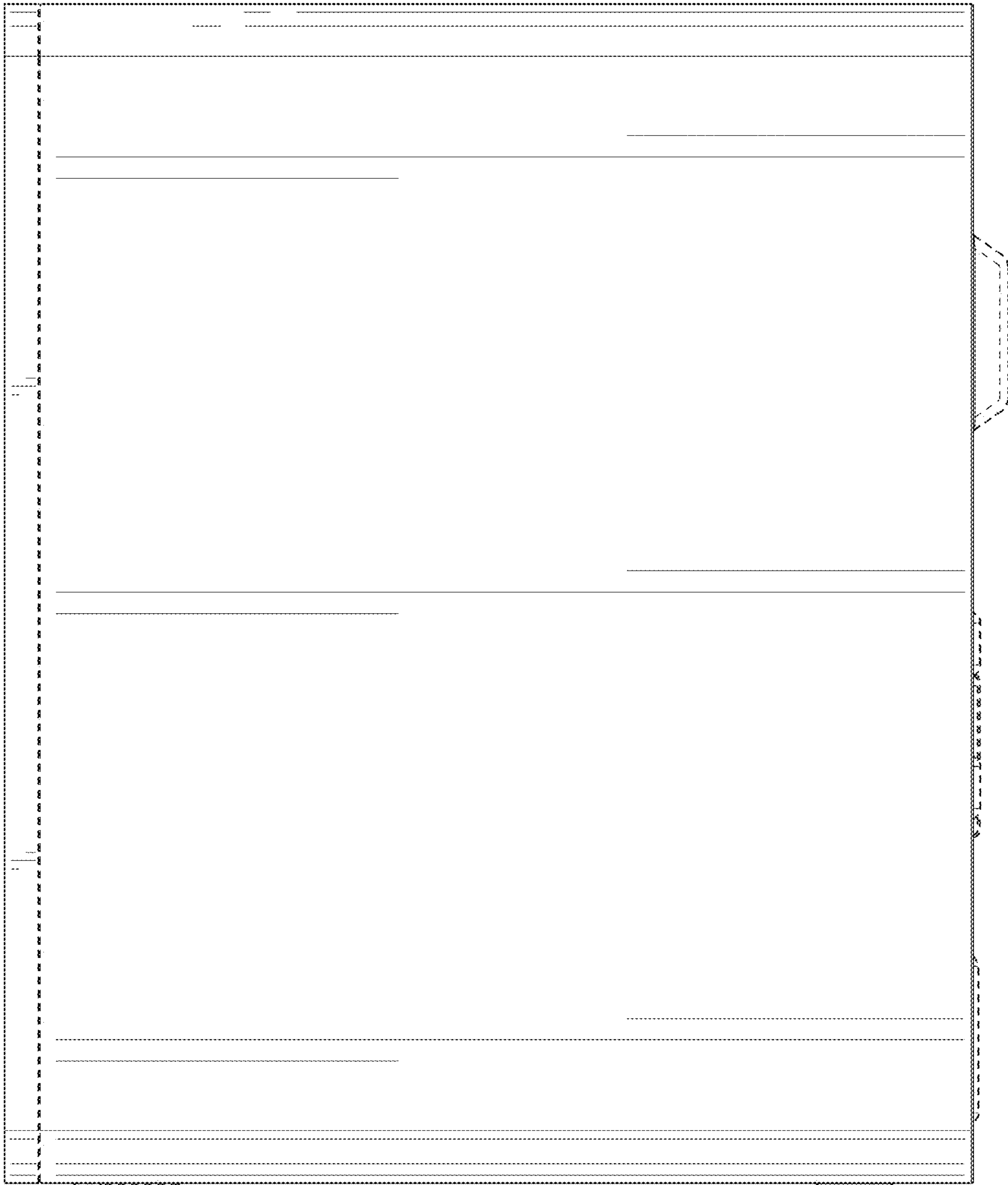


FIG. 5

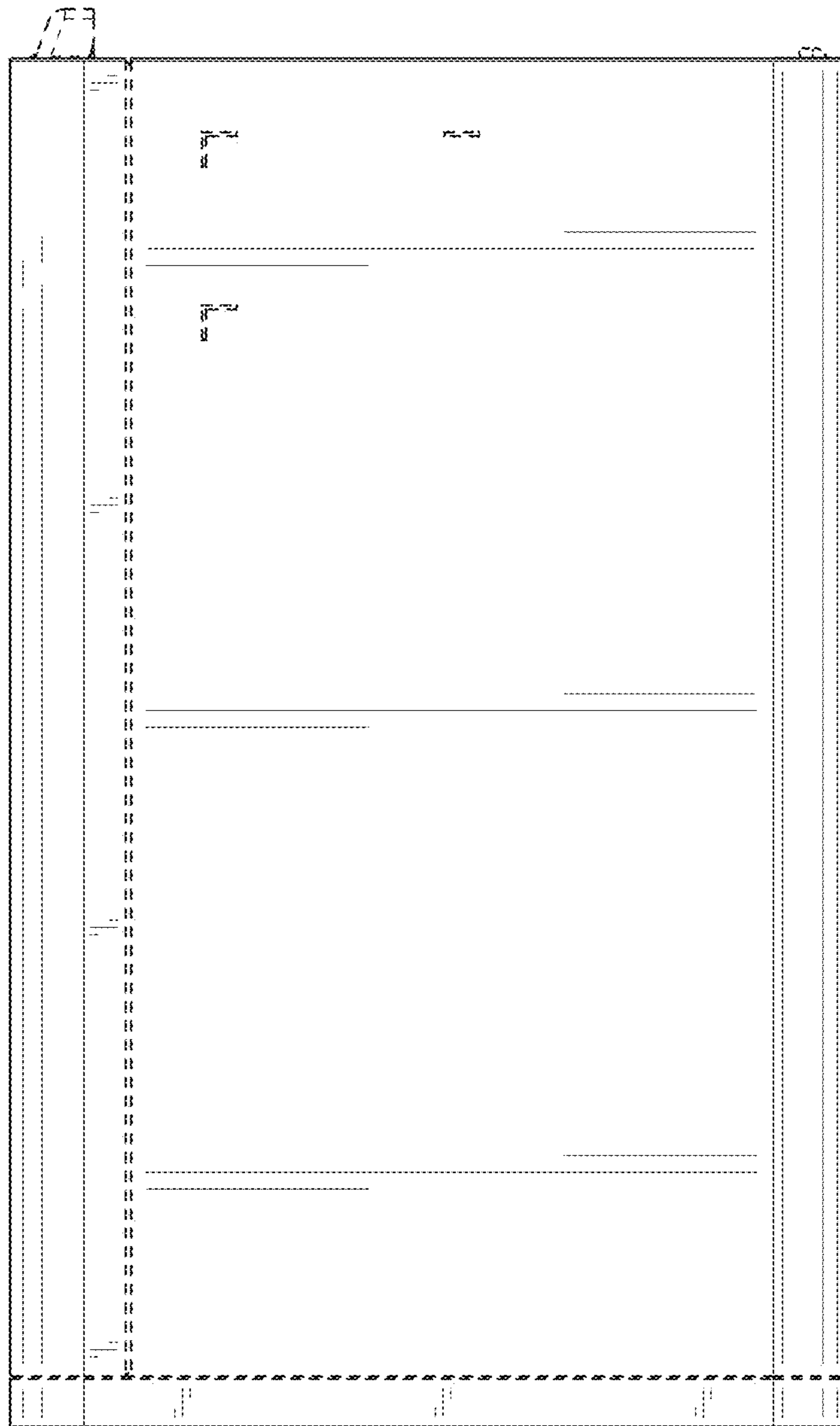


FIG. 6

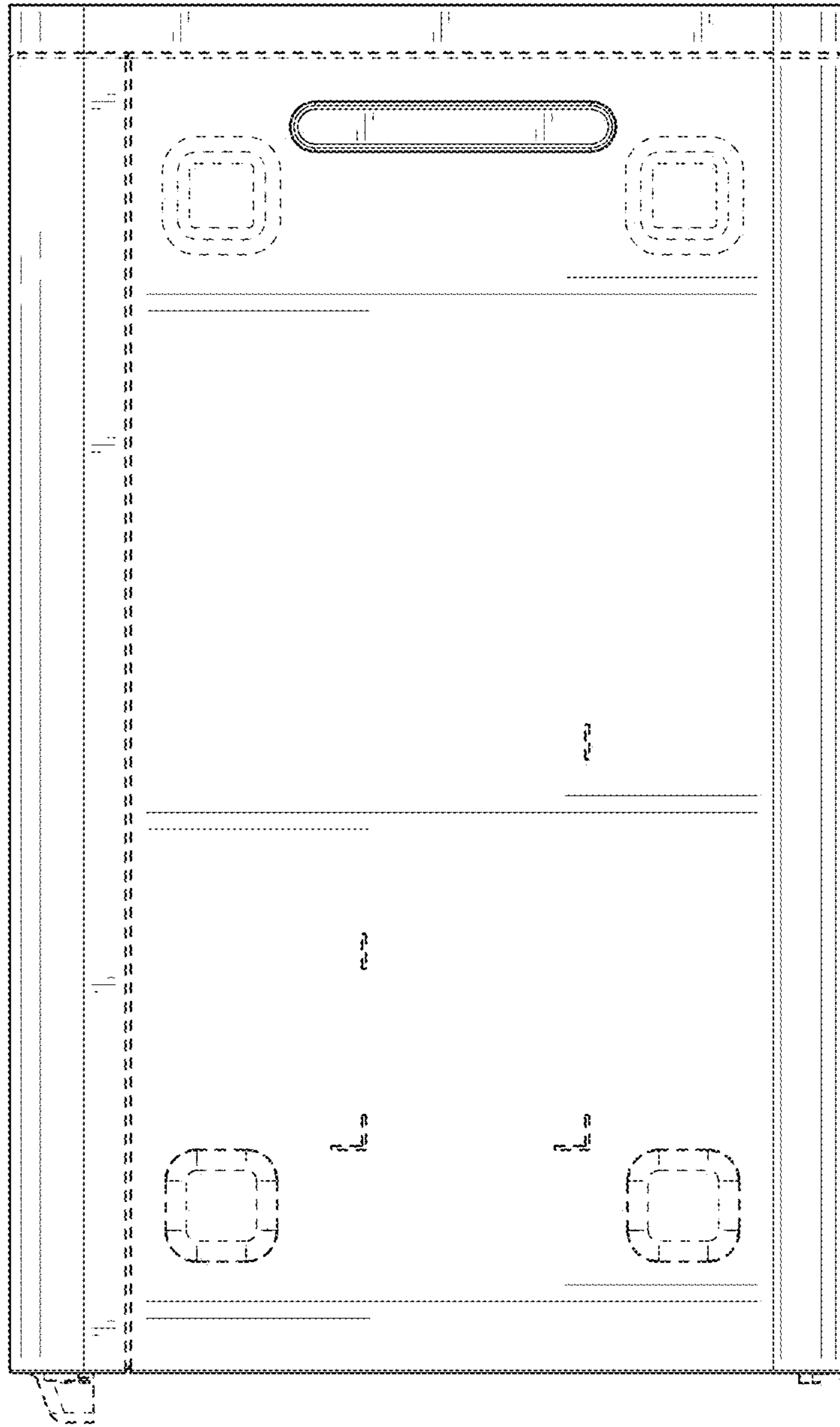


FIG. 7

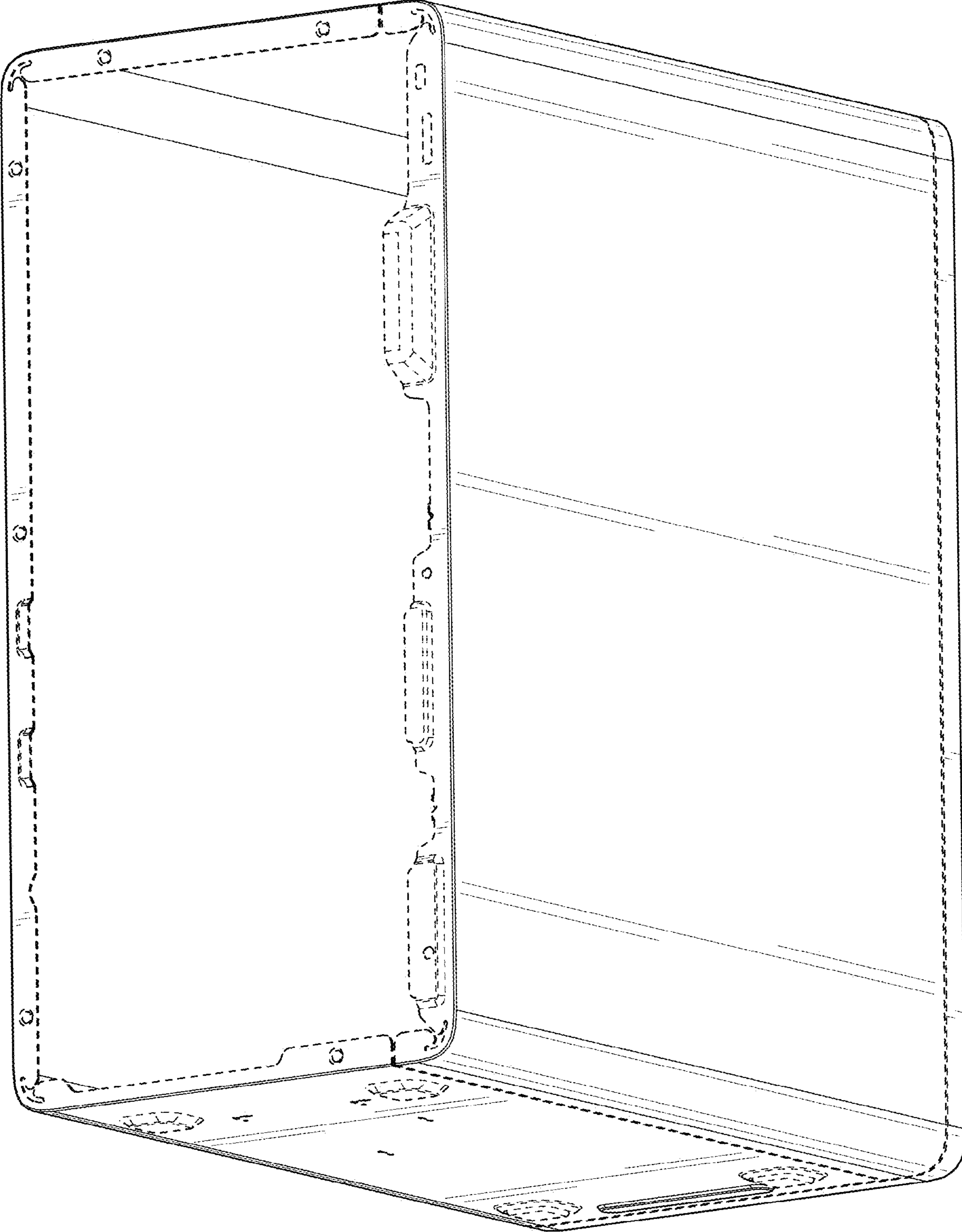


FIG. 8