



US00D878359S

(12) **United States Design Patent**
Jaggers et al.

(10) **Patent No.:** **US D878,359 S**
(45) **Date of Patent:** **** Mar. 17, 2020**

(54) **HOUSING OF AN ELECTRONIC DEVICE**

- (71) Applicant: **Advanced Micro Devices, Inc.**, Sunnyvale, CA (US)
- (72) Inventors: **Christopher Jaggers**, Austin, TX (US); **David McAfee**, Austin, TX (US); **Matthew C. Grossman**, Austin, TX (US); **Christopher Cavello**, Austin, TX (US); **Christopher Janak**, Austin, TX (US); **Steve Capezza**, Austin, TX (US); **Carlos Santillana**, Cedar Park, TX (US)
- (73) Assignee: **Advanced Micro Devices, Inc.**, Santa Clara, CA (US)

(**) Term: **15 Years**

(21) Appl. No.: **29/615,083**

(22) Filed: **Aug. 25, 2017**

Related U.S. Application Data

(62) Division of application No. 29/548,331, filed on Dec. 11, 2015, now Pat. No. Des. 798,904.

(51) **LOC (12) Cl.** **14-02**

(52) **U.S. Cl.**
USPC **D14/300**

(58) **Field of Classification Search**
USPC D14/300, 301, 308, 314, 348-349, D14/353-354, 356-358; D3/208, 216
CPC G06F 13/00; G06F 16/00; G06F 16/10; G06F 1/1628; G06F 1/163; H01H 2231/002

See application file for complete search history.

(56) **References Cited**

U.S. PATENT DOCUMENTS

- D364,165 S * 11/1995 Esslinger D14/213
- 5,914,707 A 6/1999 Kono
- 6,565,444 B2 5/2003 Nagata et al.

(Continued)

OTHER PUBLICATIONS

AMD Project Quantum Announced | posted at legitreviews.com Jun. 2015 [online]. © 2002-2019 LegitReviews.com [retrieved Apr. 28, 2019] from Internet: <https://www.legitreviews.com/amd-project-quantum-announced-w-dual-gpu-fiji-card_166286 (Year: 2015).*

(Continued)

Primary Examiner — Sandra S Snapp

Assistant Examiner — Katherine Glennon

(74) *Attorney, Agent, or Firm* — Faegre Drinker Biddle & Reath LLP

(57) **CLAIM**

The ornamental design for a housing of an electronic device, as shown and described.

DESCRIPTION

FIG. 1 is a top perspective view of a housing of an electronic device;

FIG. 2 is a bottom perspective view of a housing of an electronic device;

FIG. 3 is a front view of a housing of an electronic device; FIG. 4 is a rear view of a housing of an electronic device;

FIG. 5 is a first side view of a housing of an electronic device;

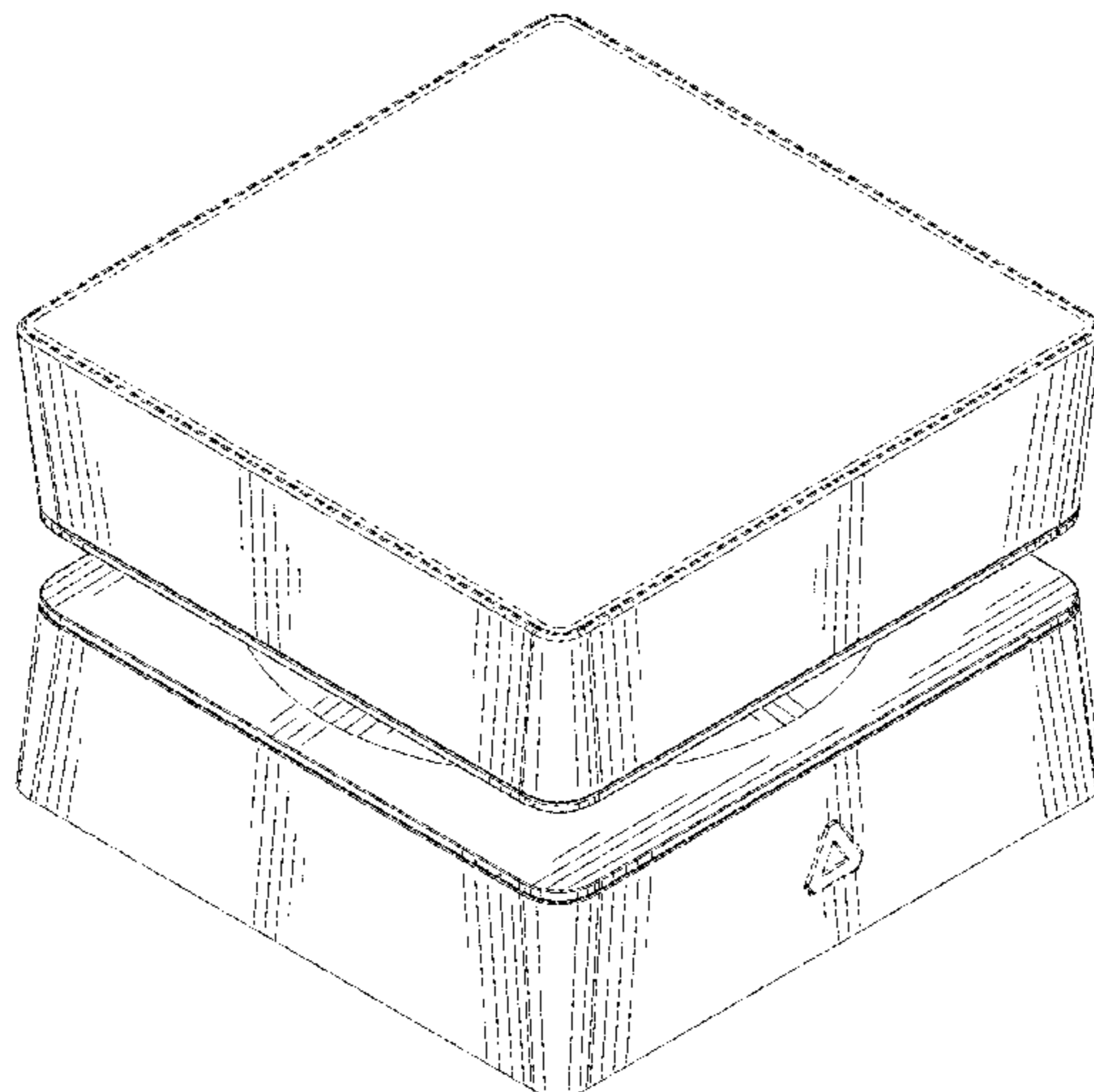
FIG. 6 is a second side view of a housing of an electronic device;

FIG. 7 is a top plan view of a housing of an electronic device; and,

FIG. 8 is a bottom plan view of a housing of an electronic device.

The broken lines show portions of the housing of an electronic device that form no part of the claimed design.

1 Claim, 6 Drawing Sheets



(56)

References Cited

U.S. PATENT DOCUMENTS

| | | | | |
|-----------|------|---------|----------------|--------------|
| 6,908,387 | B2 | 6/2005 | Hedrick et al. | |
| 6,955,606 | B2 | 10/2005 | Taho et al. | |
| D544,497 | S * | 6/2007 | Kindle | D14/496 |
| D560,217 | S * | 1/2008 | Adachi | D14/300 |
| D563,994 | S | 3/2008 | Liu et al. | |
| D575,801 | S | 8/2008 | Kusano et al. | |
| D601,583 | S | 10/2009 | Andre et al. | |
| D615,555 | S | 5/2010 | Ho | |
| D647,521 | S * | 10/2011 | Takeda | D14/300 |
| D650,394 | S | 12/2011 | Seoc et al. | |
| D668,143 | S | 10/2012 | Akana et al. | |
| D686,201 | S * | 7/2013 | Lee | D14/314 |
| D727,360 | S | 4/2015 | Peng et al. | |
| D747,356 | S | 1/2016 | Jou et al. | |
| D753,100 | S * | 4/2016 | Magi | D14/300 |
| D763,246 | S * | 8/2016 | Jasinski | D14/300 |
| D765,140 | S | 8/2016 | Peng et al. | |
| D797,095 | S * | 9/2017 | Delpier | D14/314 |
| D798,904 | S * | 10/2017 | Jaggers | D14/496 |
| 9,848,515 | B1 * | 12/2017 | Janak | H05K 7/20781 |
| D807,873 | S * | 1/2018 | Seoc | D14/314 |

OTHER PUBLICATIONS

AMD Project Quantum PC Form Factor Leaps Forward | posted at youtube.com Jun. 2015 [online] [retrieved Apr. 28, 2019] from Internet: <<https://www.youtube.com/watch?v=1RdISWkUmM>> (Year: 2015).*

* cited by examiner

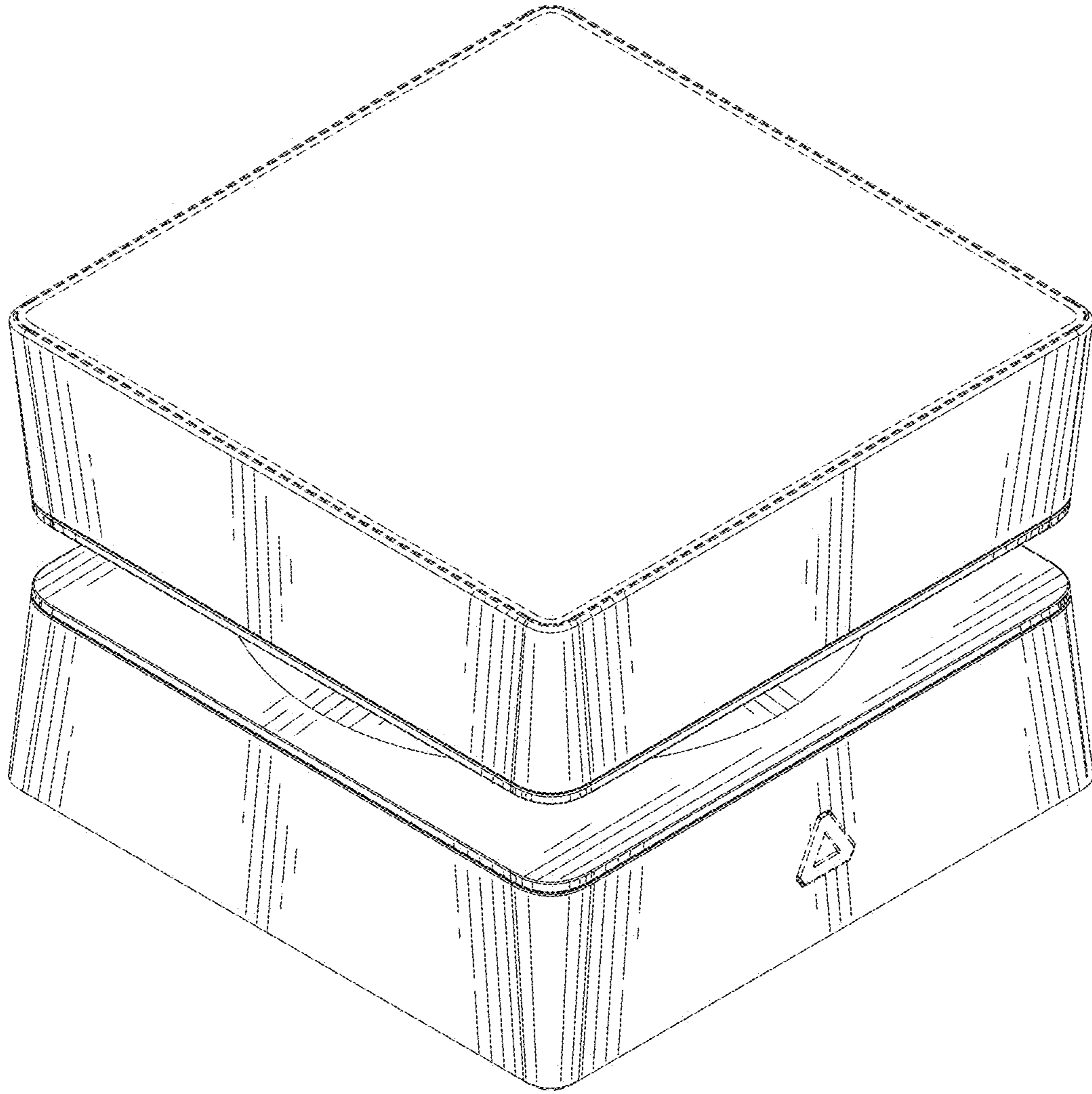


FIG. 1

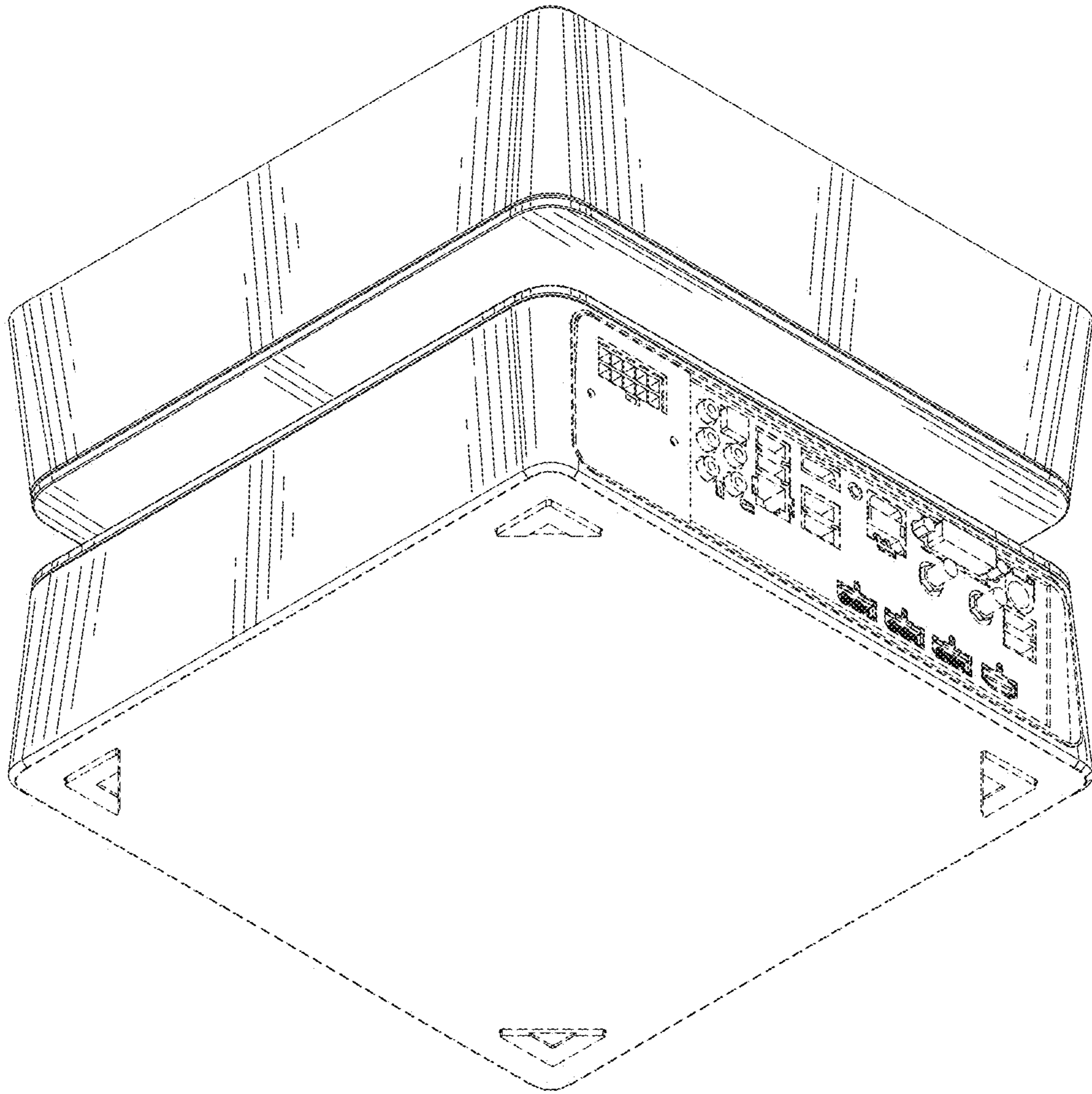


FIG. 2

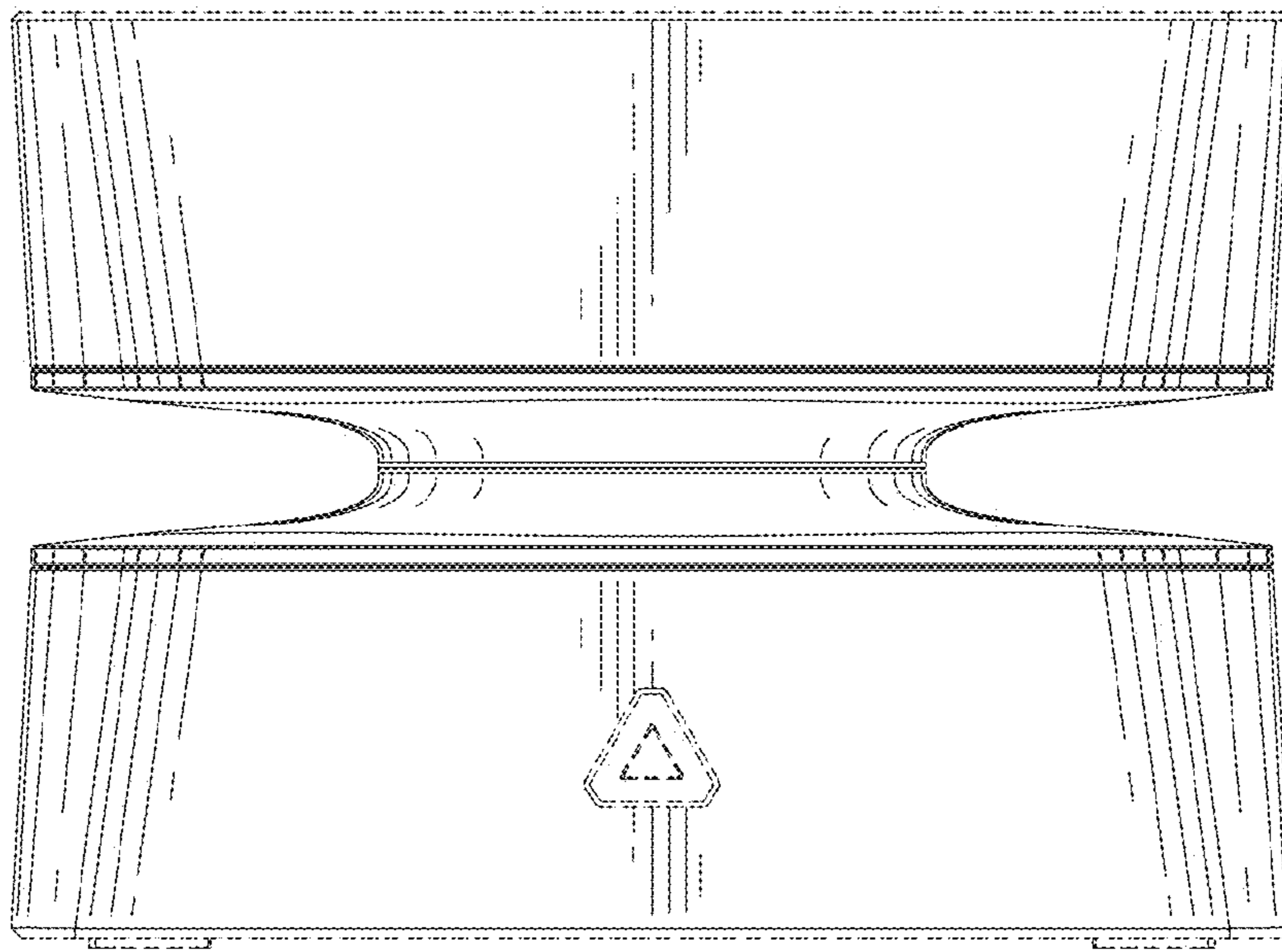


FIG. 3

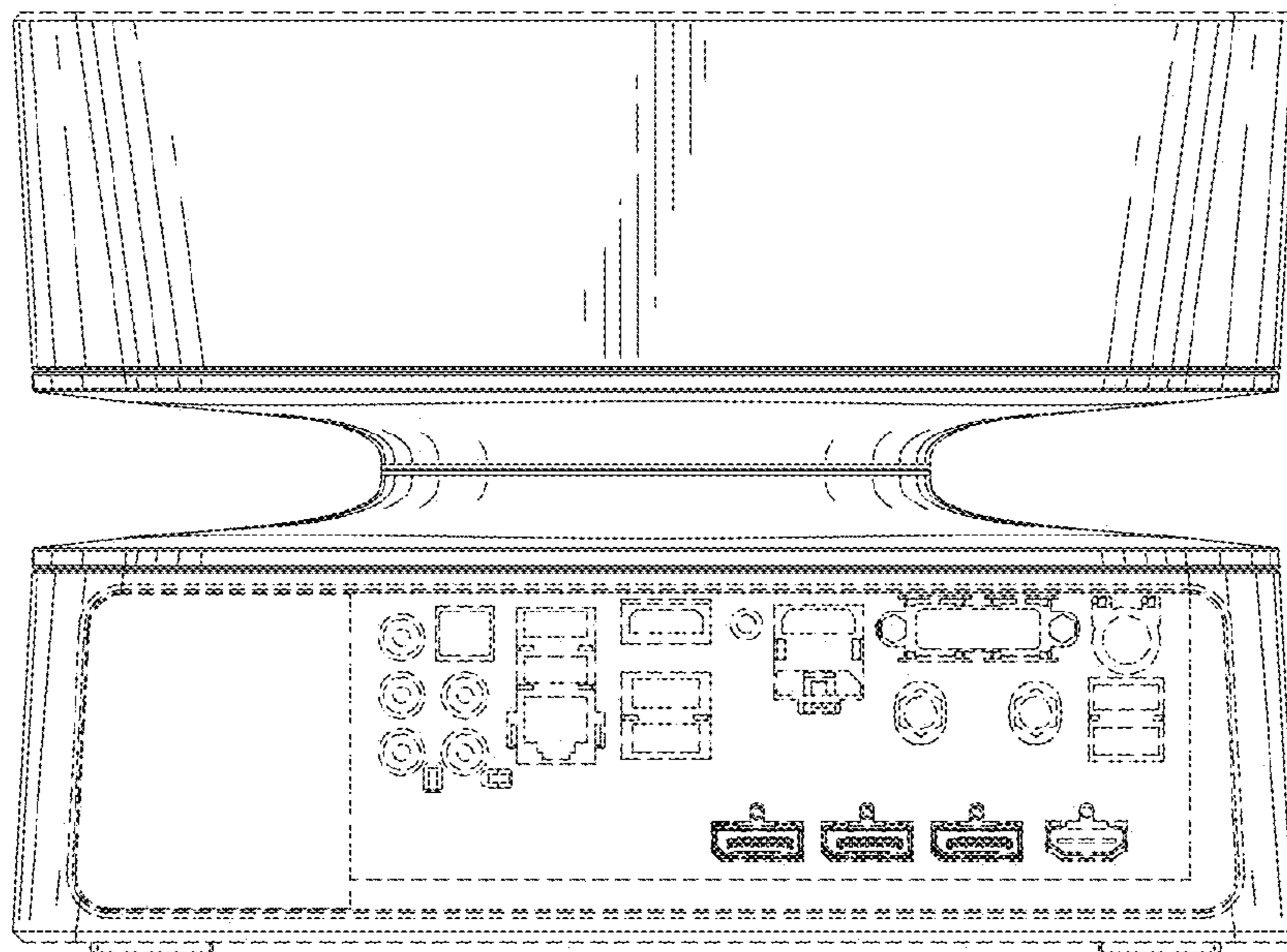


FIG. 4

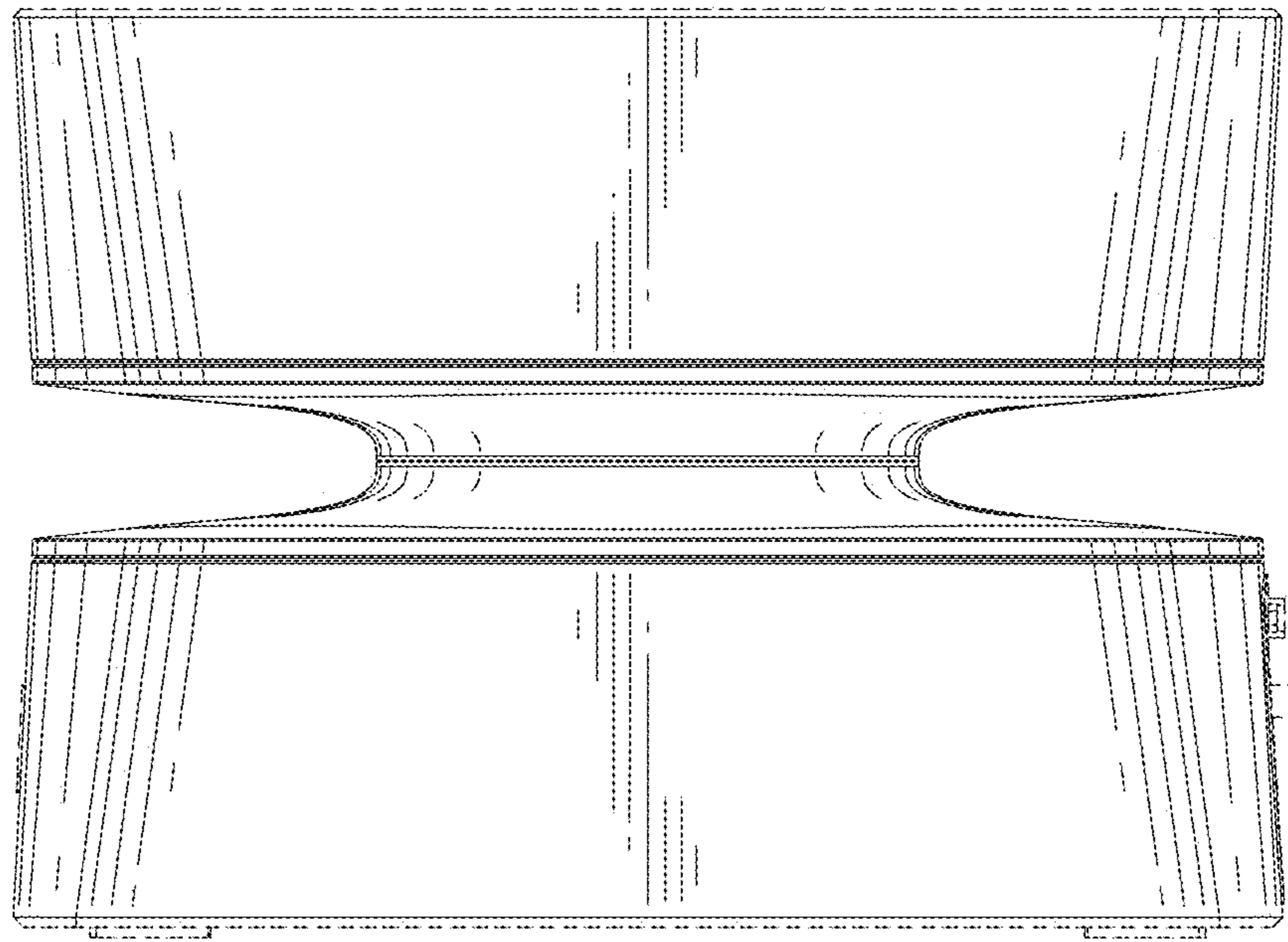


FIG. 5

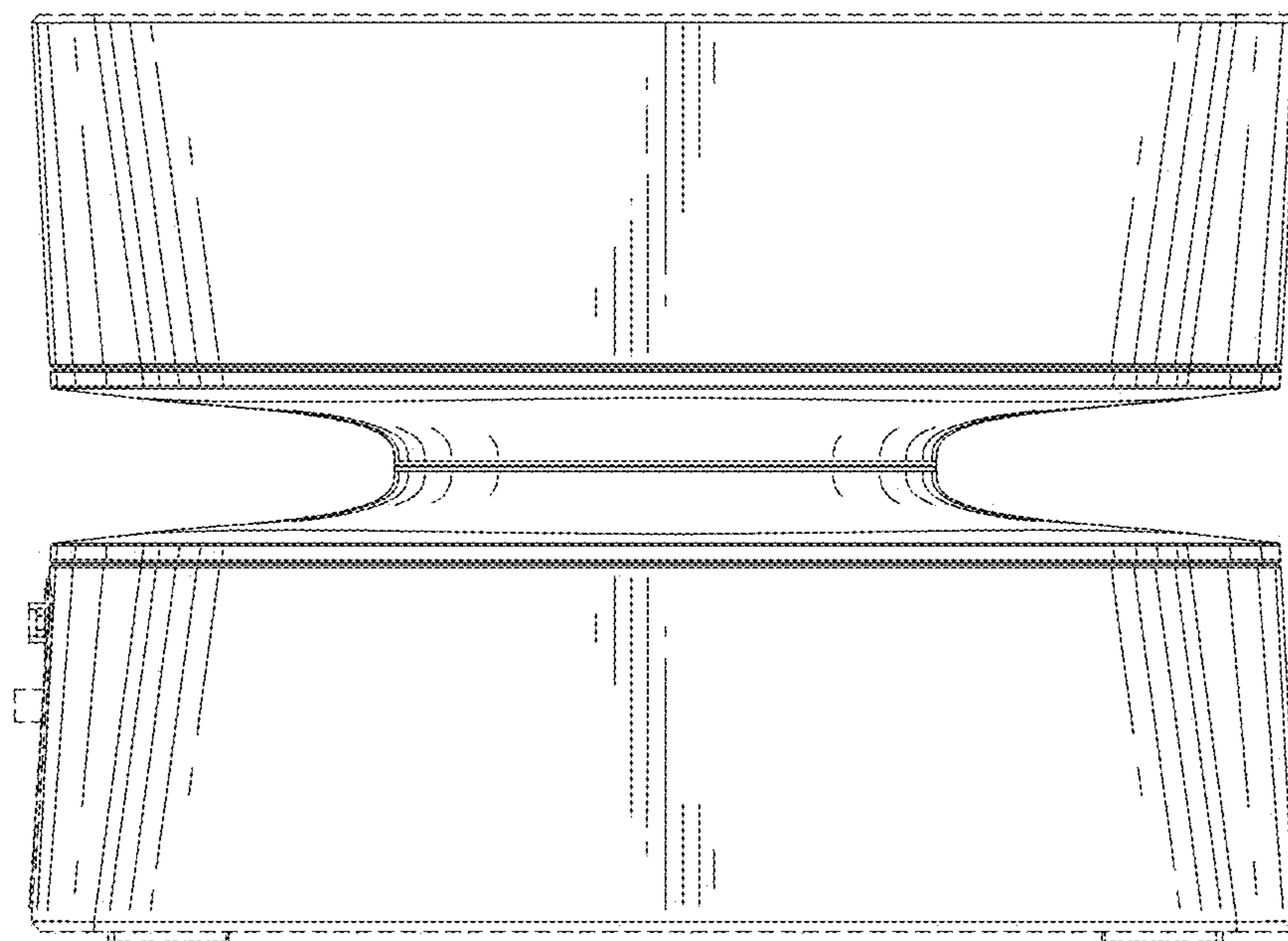


FIG. 6

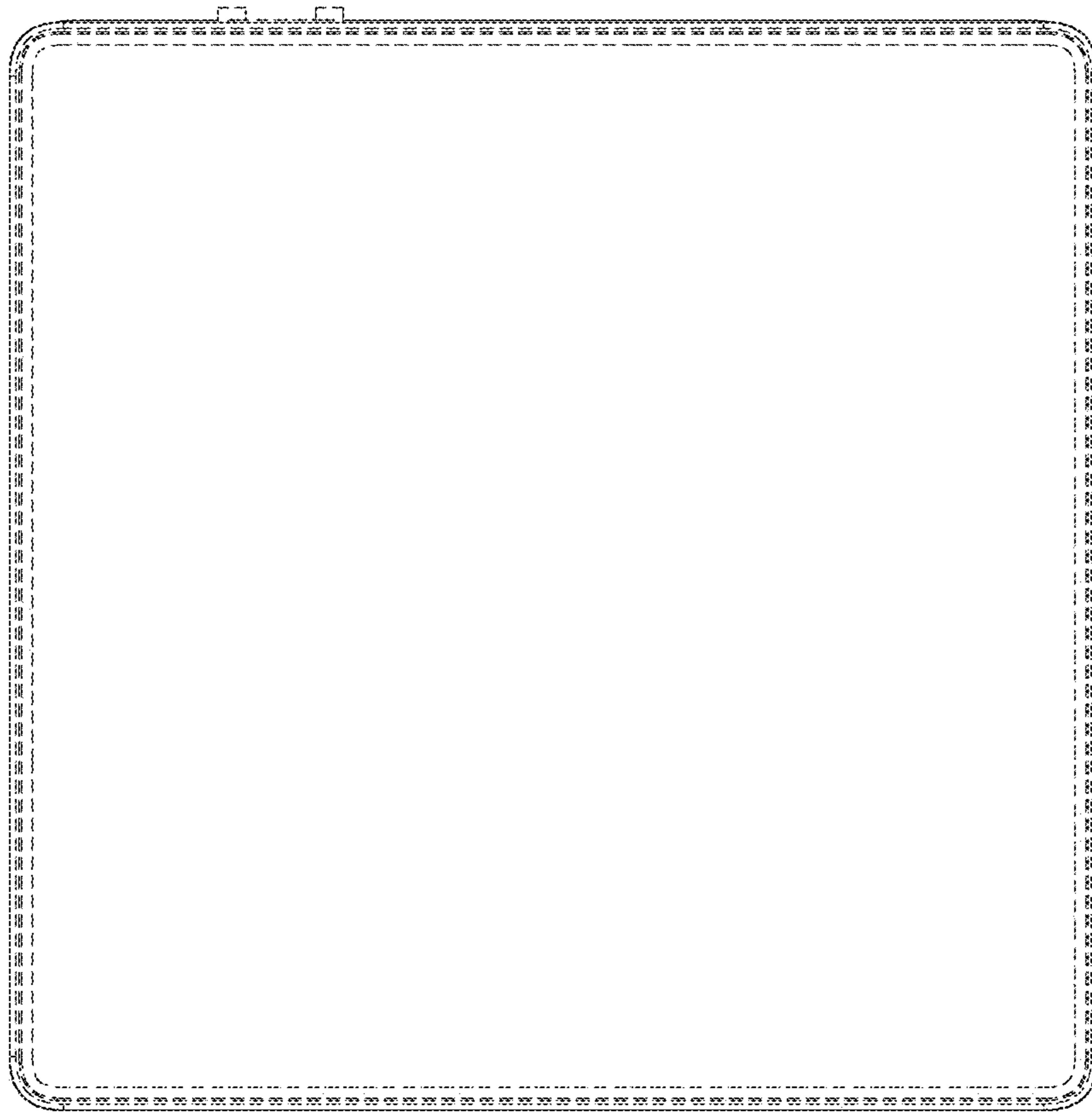


FIG. 7

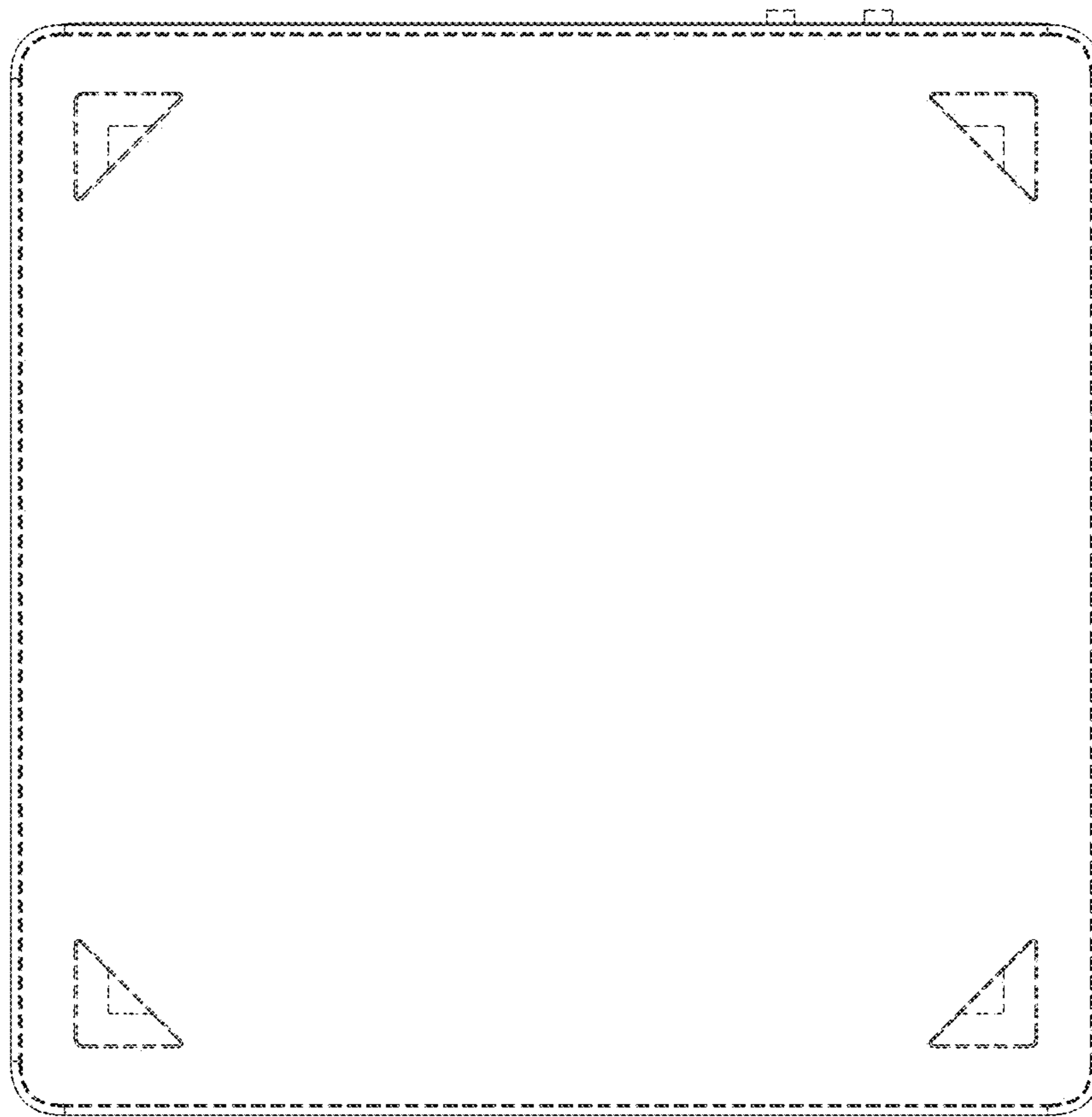


FIG. 8