



US00D878353S

(12) **United States Design Patent**  
**Heidrich**

(10) **Patent No.:** **US D878,353 S**

(45) **Date of Patent:** **\*\* Mar. 17, 2020**

(54) **MOUNT FOR A SMARTPHONE HOLDER**

(71) Applicant: **Daniel Heidrich**, Schönau-Berzdorf  
(DE)

(72) Inventor: **Daniel Heidrich**, Schönau-Berzdorf  
(DE)

(\*\*) Term: **15 Years**

(21) Appl. No.: **29/684,284**

(22) Filed: **Mar. 20, 2019**

(30) **Foreign Application Priority Data**

Sep. 20, 2018 (EM) ..... 005650306-010

(51) **LOC (12) Cl.** ..... **14-03**

(52) **U.S. Cl.**  
USPC ..... **D14/253**

(58) **Field of Classification Search**  
USPC ..... D14/251–253, 358, 432, 434, 440, 447;  
D3/218; D16/242, 243; D12/415;  
D13/107, 108

CPC ..... A45C 11/00; A45F 5/00; F16M 11/06  
See application file for complete search history.

(56) **References Cited**

**U.S. PATENT DOCUMENTS**

D694,228 S \* 11/2013 Richter ..... D14/253  
D719,961 S \* 12/2014 Xiang ..... D14/447  
D725,644 S \* 3/2015 Schulter ..... D14/253

D773,325 S \* 12/2016 Browning ..... D10/74  
D784,978 S \* 4/2017 Hobbs ..... D14/253  
D788,092 S \* 5/2017 Phang ..... D14/250  
D819,603 S \* 6/2018 Pearce ..... D14/217  
D825,548 S \* 8/2018 Lebovitz ..... D14/253  
D825,549 S \* 8/2018 Lebovitz ..... D14/253  
D826,749 S \* 8/2018 Halbertsma ..... D10/74  
D832,276 S \* 10/2018 Miles ..... D14/451  
D832,859 S \* 11/2018 Charlesworth ..... D14/451  
10,213,010 B2 \* 2/2019 Pearce ..... A45F 5/021  
D846,624 S \* 4/2019 Balmer ..... D16/245  
D847,805 S \* 5/2019 Lederer ..... D14/250  
D848,412 S \* 5/2019 Greve ..... D14/253  
D850,455 S \* 6/2019 Cheng ..... D14/440  
2014/0355200 A1 \* 12/2014 Thiers ..... H04W 88/02  
361/679.41

\* cited by examiner

*Primary Examiner* — Janice Hallmark

(74) *Attorney, Agent, or Firm* — Michael Soderman

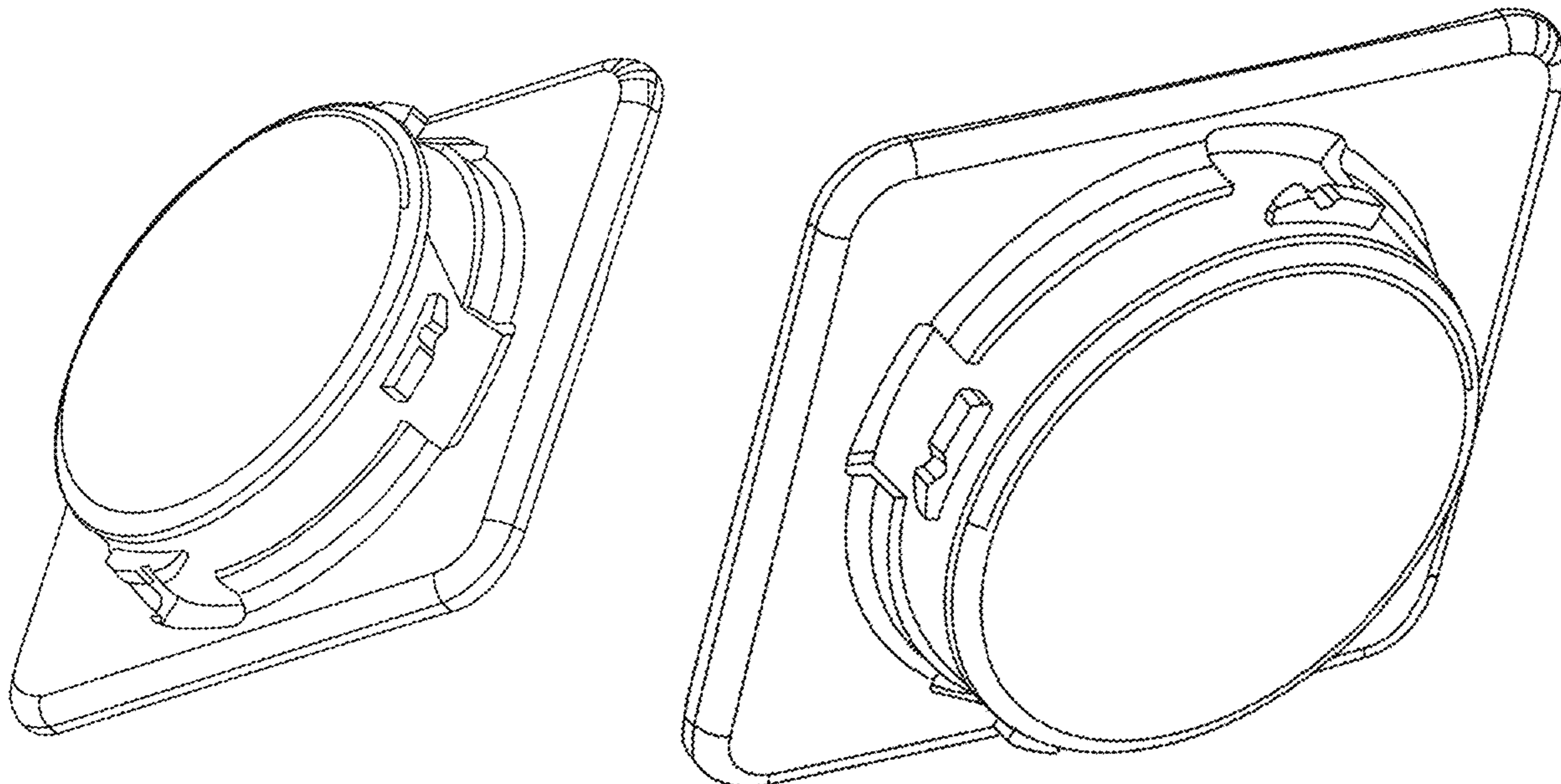
(57) **CLAIM**

The ornamental design for a mount for a smartphone holder,  
as shown.

**DESCRIPTION**

FIG. 1 is a top plan view of a mount for a smartphone holder  
showing my new design;  
FIG. 2 is a top, side perspective view thereof;  
FIG. 3 is a side elevation view thereof; and,  
FIG. 4 is a top, side perspective view thereof, of the side  
opposite shown in FIG. 2.

**1 Claim, 2 Drawing Sheets**



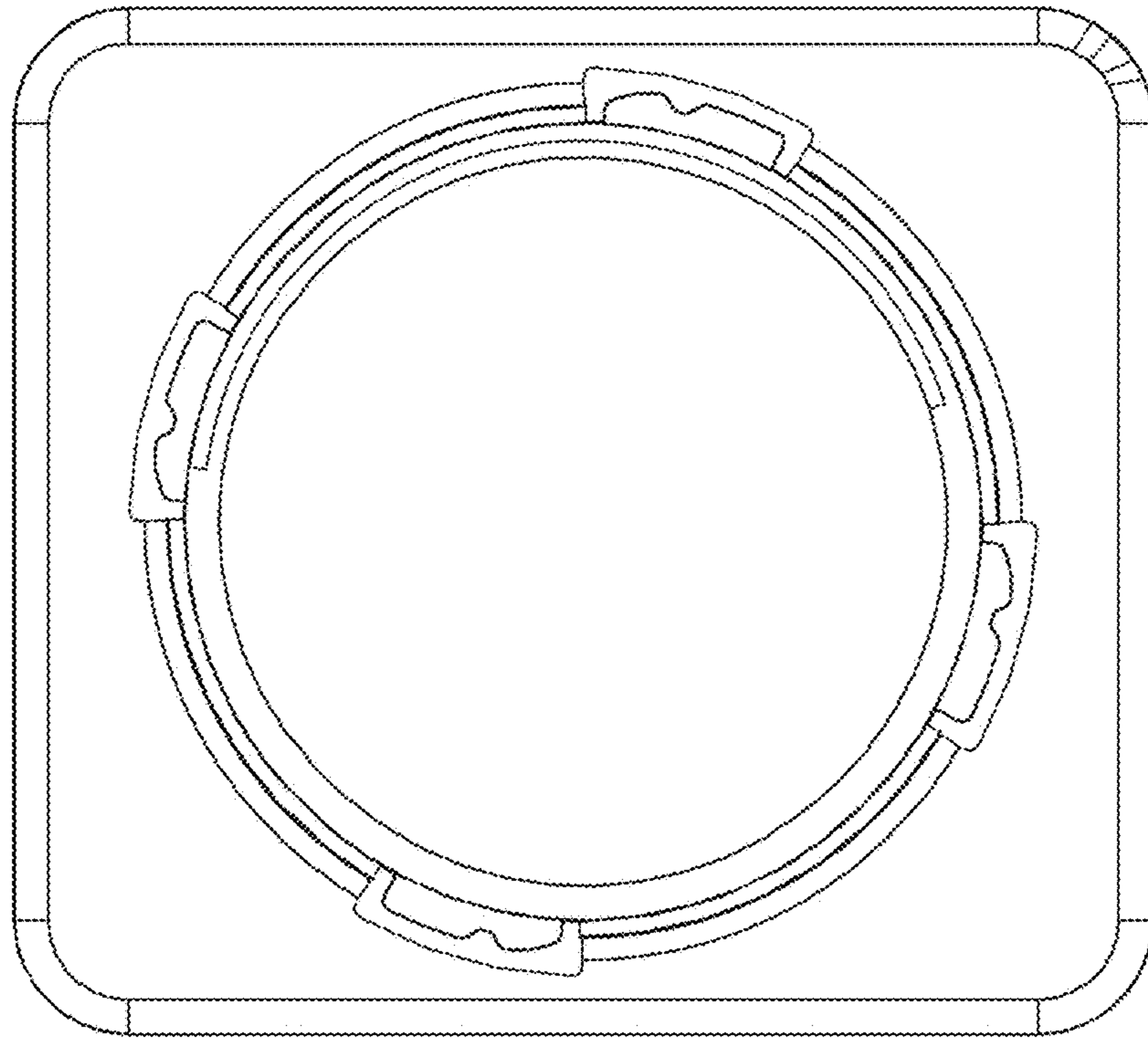


Fig. 1

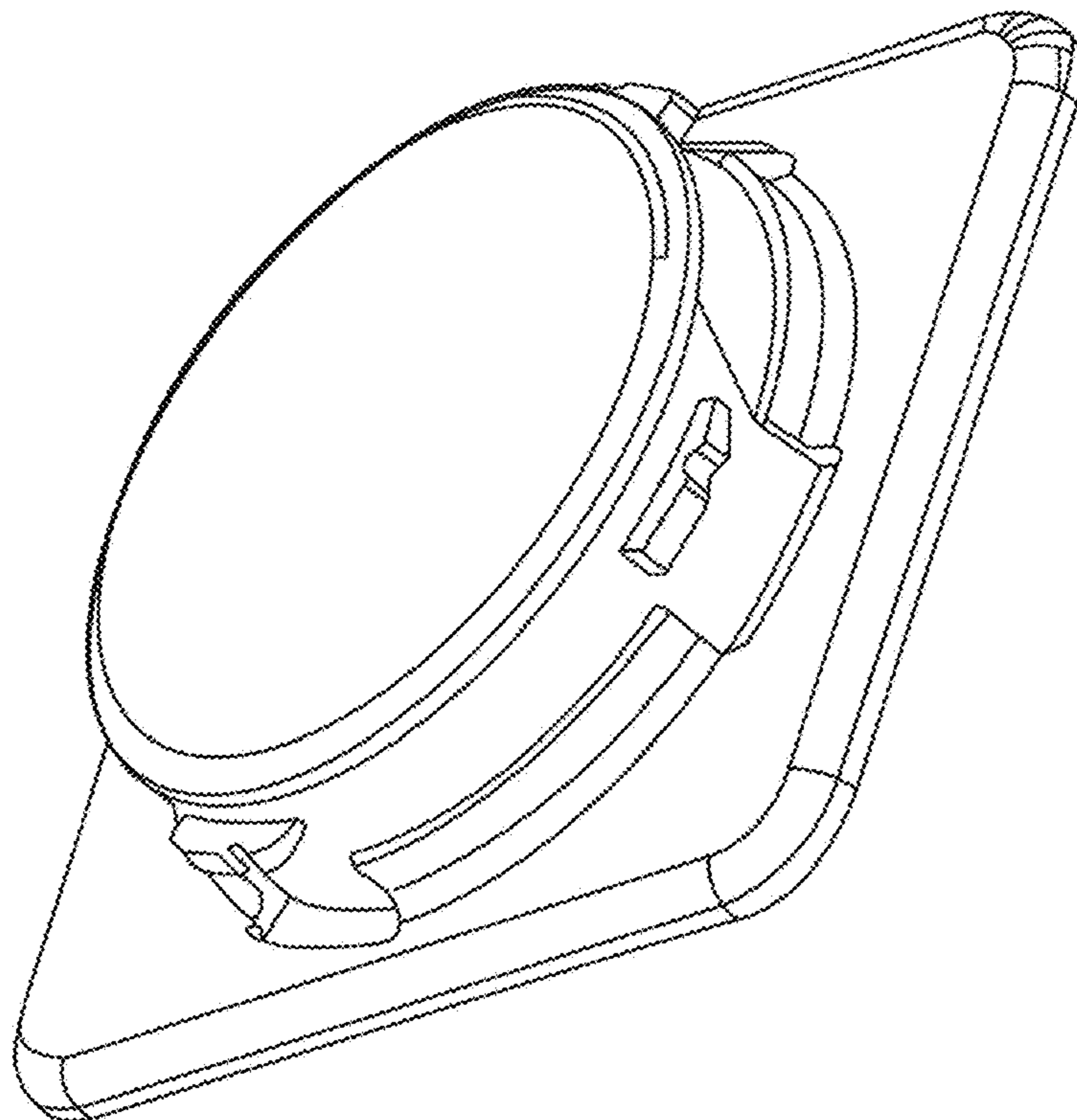


Fig. 2

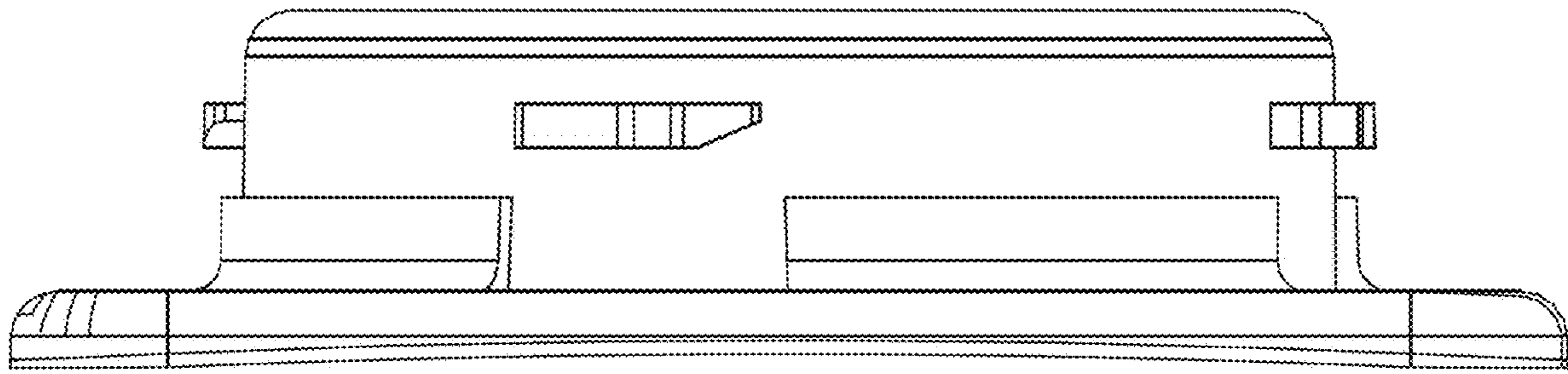


Fig. 3

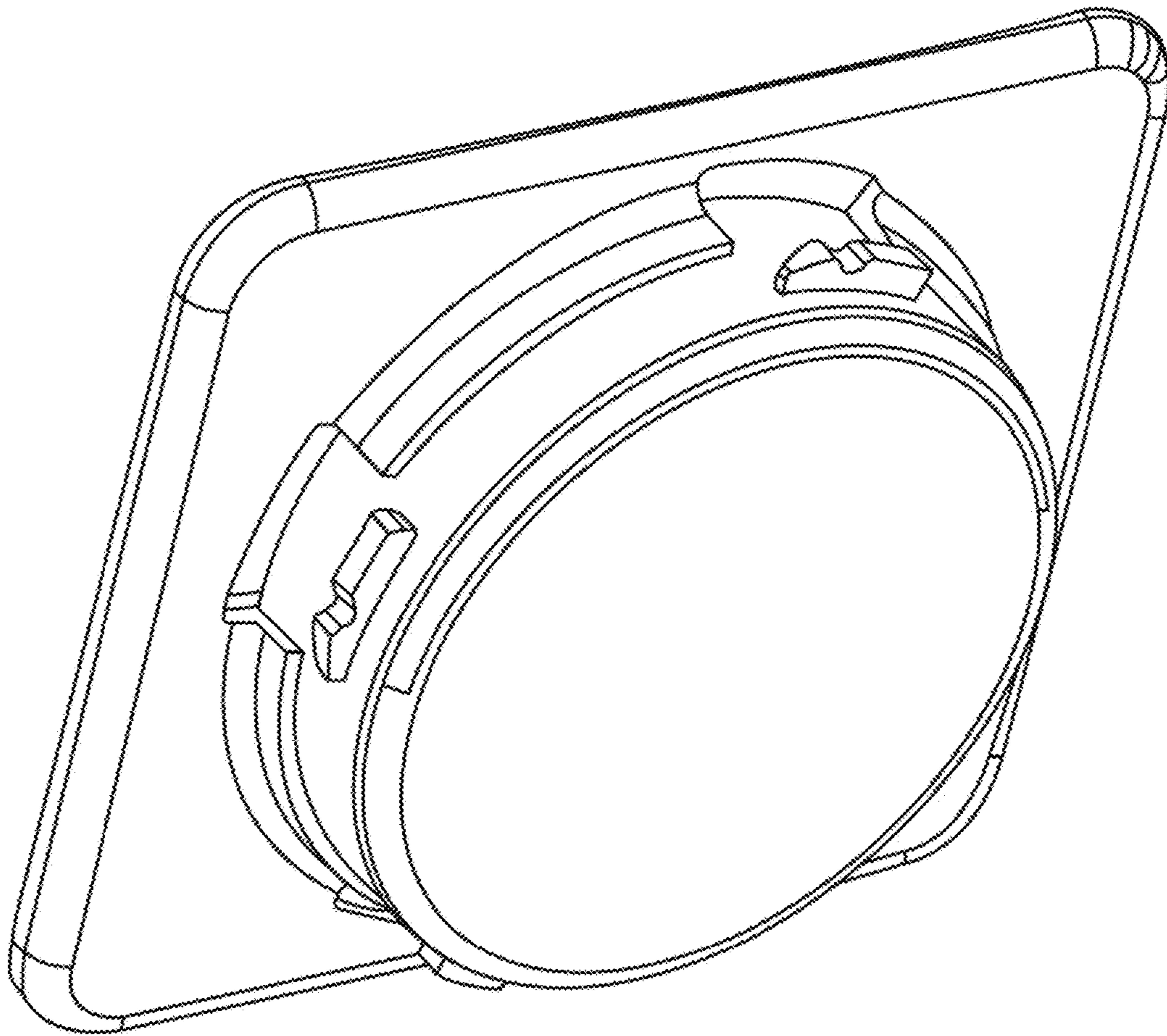


Fig. 4