



US00D878352S

(12) **United States Design Patent**
Yang

(10) **Patent No.:** **US D878,352 S**

(45) **Date of Patent:** **** Mar. 17, 2020**

(54) **PHONE STAND**

(71) Applicant: **SHENZHEN LEADINGPLUS ELECTRONIC CO., LTD**, Shenzhen (CN)

(72) Inventor: **Jun Yang**, Shenzhen (CN)

(**) Term: **15 Years**

(21) Appl. No.: **29/672,304**

(22) Filed: **Dec. 4, 2018**

(51) **LOC (12) Cl.** **14-99**

(52) **U.S. Cl.**
USPC **D14/253**

(58) **Field of Classification Search**
USPC D14/250-254, 224, 224.1, 238.1, 434, D14/447, 451, 452, 483; D12/400, D12/415-418, 420, 426.1, 114, 223; D16/242, 245; D10/74; D3/218; D13/107, 108; D8/349, 354, 355, 363, D8/373, 380
CPC B60R 11/00; B60R 11/02; B60R 11/0241; B60R 11/0252; B60R 2011/0003; B60R 2011/0005; B60R 2011/0008; H04M 1/04; H04B 1/3877; A45F 2200/0516; A45F 2200/0525; H05K 5/0204; F16M 13/02; F16M 13/022; F16M 11/04; F16M 11/041; F16M 11/14; F16M 11/22; F16B 2/12; H01F 7/0252; G03B 17/561

See application file for complete search history.

(56) **References Cited**

U.S. PATENT DOCUMENTS

D352,189 S * 11/1994 Sakuta D14/451
D566,647 S * 4/2008 Lee D12/415
D567,810 S * 4/2008 Yeh D14/253
8,602,376 B2 * 12/2013 Vogel F16M 11/14
248/371
D718,612 S * 12/2014 McSweyn D8/363

9,303,809 B2 * 4/2016 Reynolds F16M 11/041
9,827,494 B2 * 11/2017 Motoishi F16M 11/18
D825,548 S * 8/2018 Lebovitz D14/253
D829,703 S * 10/2018 Balmer D14/251
10,244,854 B1 * 4/2019 Haber A45F 5/10
D862,453 S * 10/2019 Liang D14/253
2014/0097306 A1 * 4/2014 Hale G03B 17/566
248/122.1
2017/0195000 A1 * 7/2017 Srour H04B 1/3888
2019/0178438 A1 * 6/2019 Liang F16M 11/04

FOREIGN PATENT DOCUMENTS

WO WO-2013050065 A1 * 4/2013

OTHER PUBLICATIONS

The Nite Ize FlipOut Handle + Stand, YouTube online, post date Mar. 28, 2018, URL: <https://www.youtube.com/watch?v=r8YGI096tWk>, retrieved Oct. 22, 2019.*

* cited by examiner

Primary Examiner — Jeffrey D Asch

Assistant Examiner — Rebekah A Caruso

(74) *Attorney, Agent, or Firm* — Jiangip LLC; Yanling Jiang

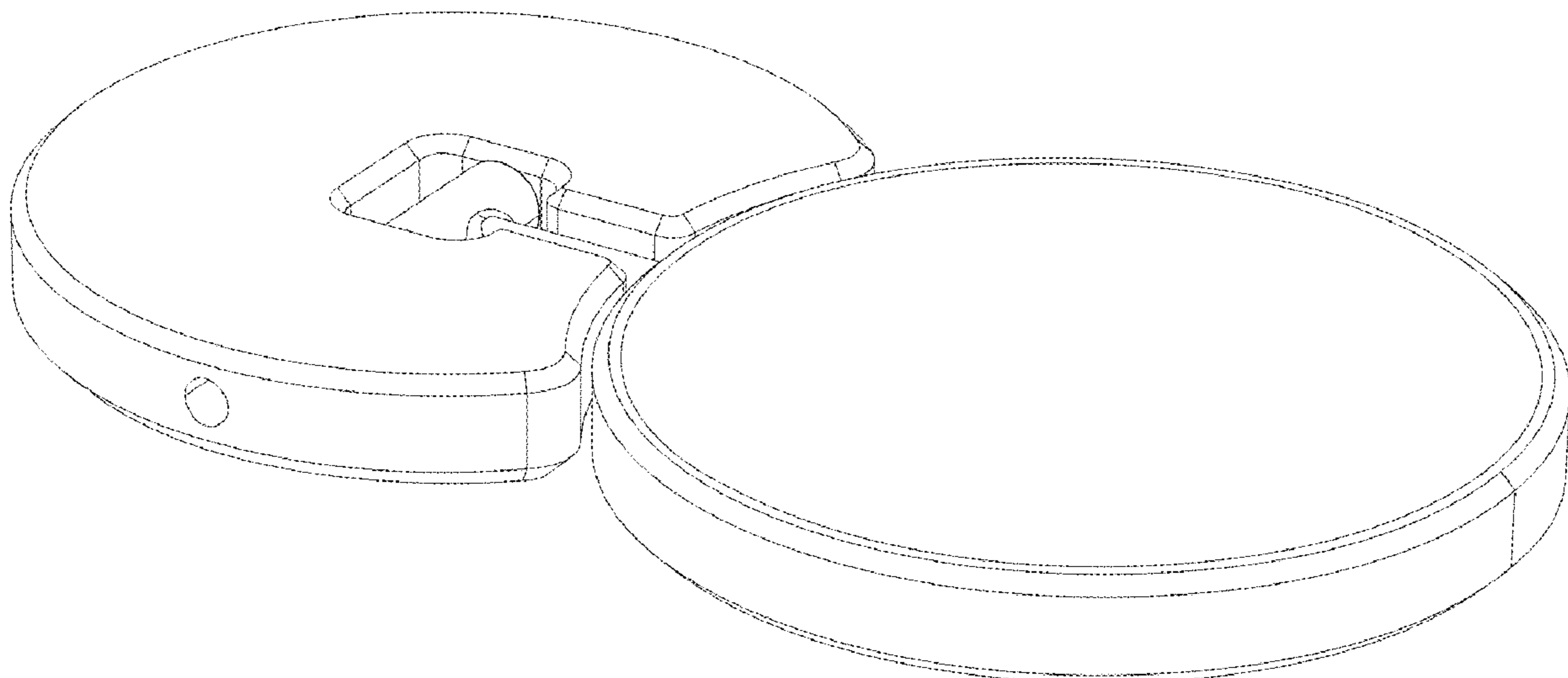
(57) **CLAIM**

The ornamental design for a phone stand, as shown and described.

DESCRIPTION

FIG. 1 is a front, side, and bottom perspective view of phone stand, showing my new design;
FIG. 2 is a front elevation view thereof;
FIG. 3 is a rear elevation view thereof;
FIG. 4 is a top plan view thereof;
FIG. 5 is a bottom plan view thereof;
FIG. 6 is a side view thereof; and,
FIG. 7 is an opposite side view thereof.

1 Claim, 7 Drawing Sheets



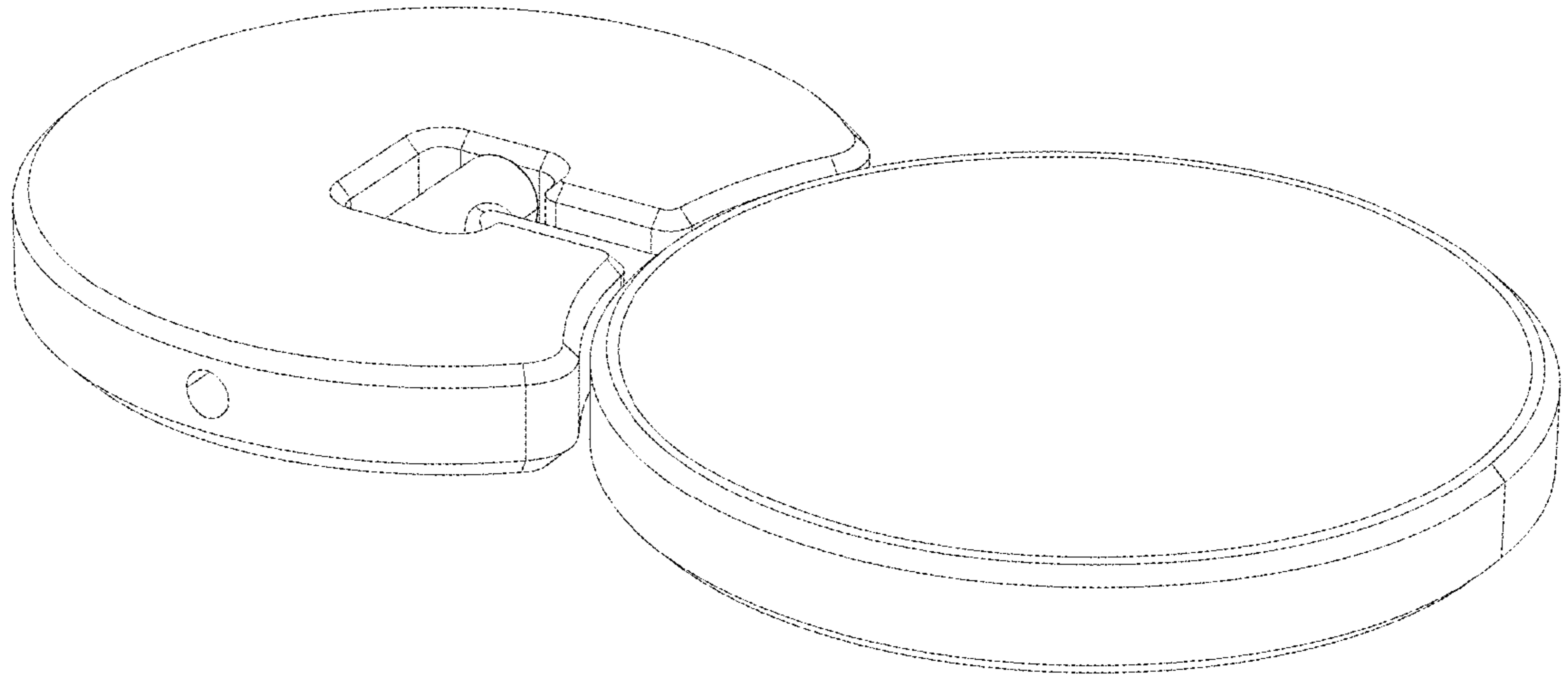


Fig. 1

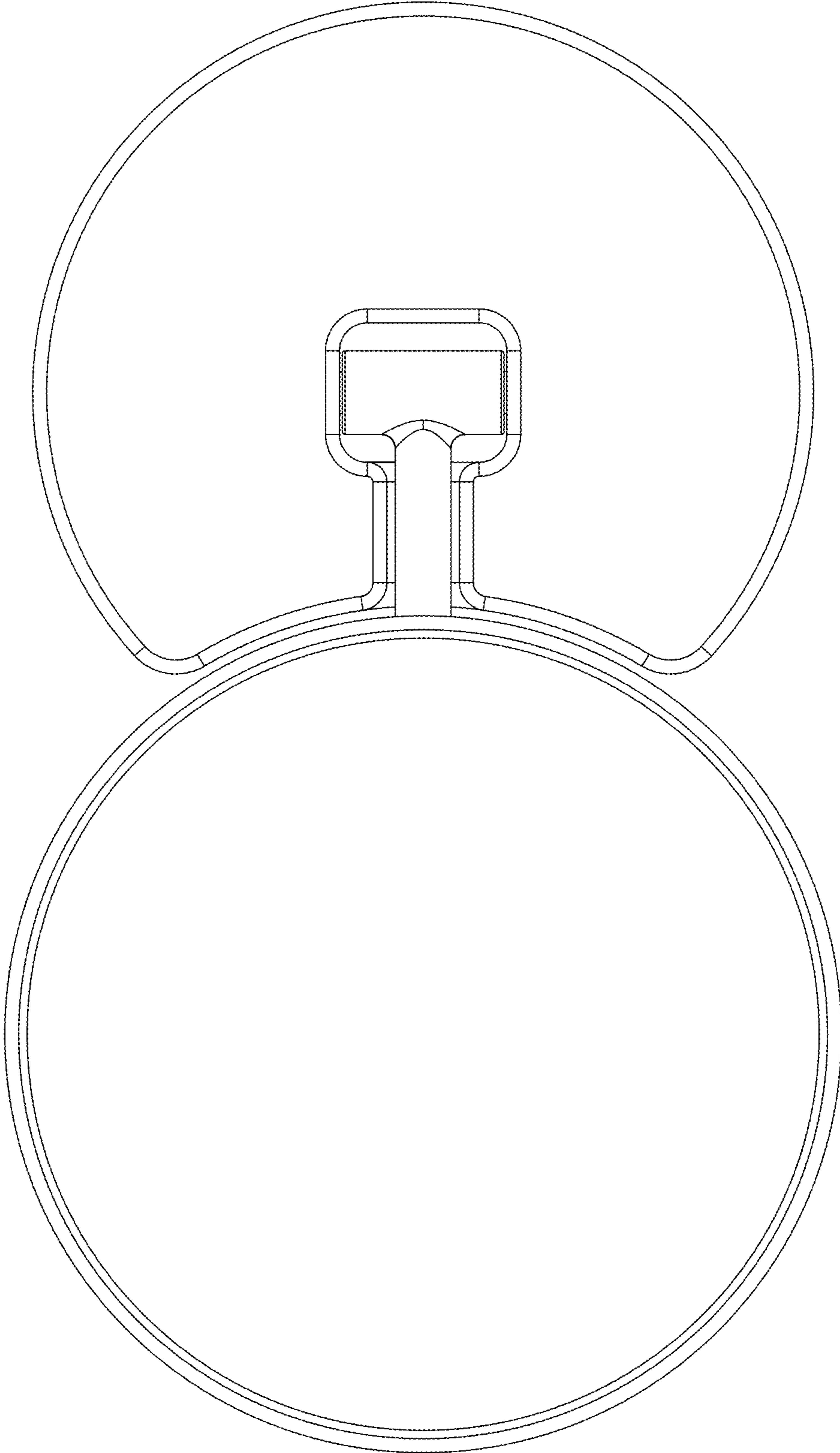


Fig. 2

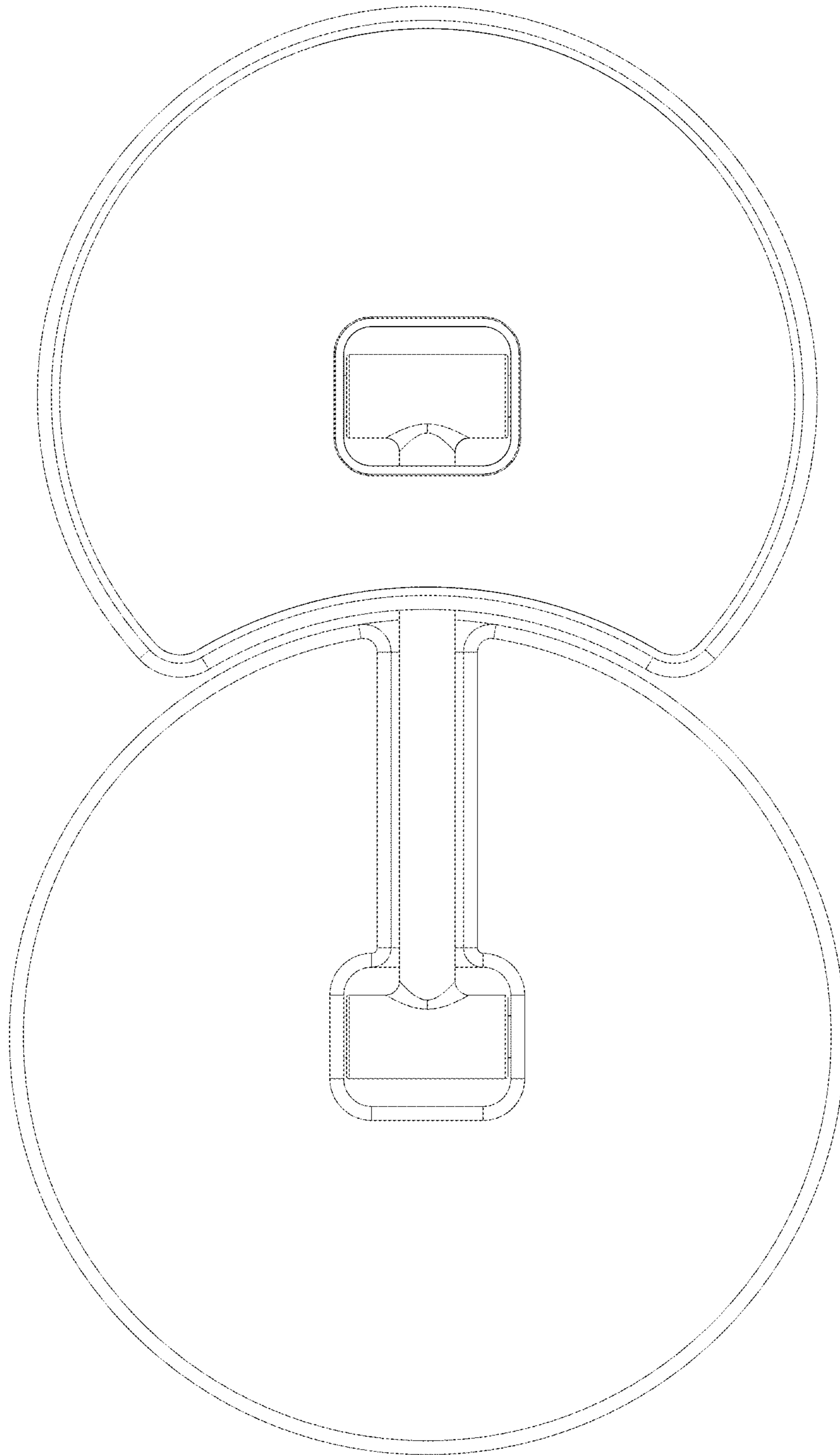


Fig. 3

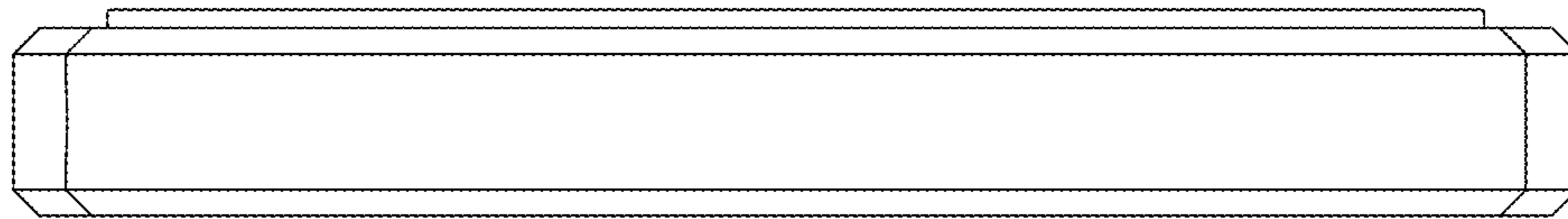


Fig. 4

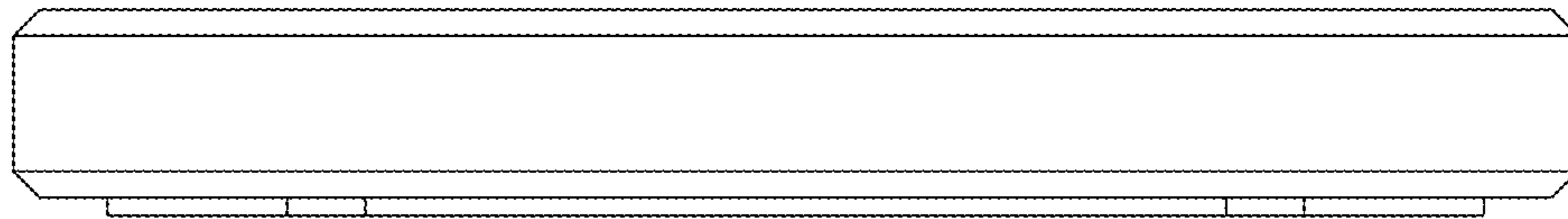


Fig. 5

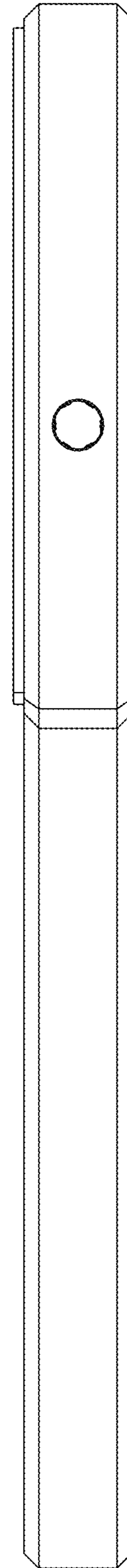


Fig. 6

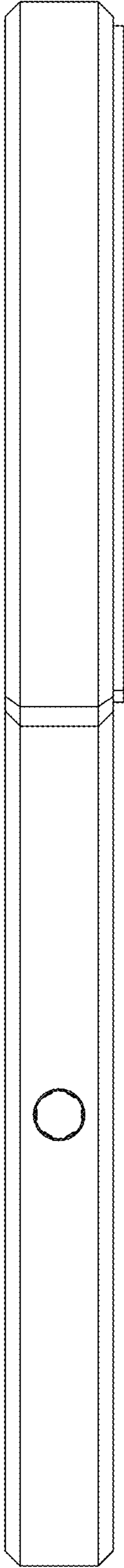


Fig. 7