



US00D878351S

(12) **United States Design Patent**
Spane

(10) **Patent No.:** **US D878,351 S**

(45) **Date of Patent:** **** Mar. 17, 2020**

(54) **MOBILE DEVICE HOLDER**

(71) Applicant: **Caitlyn Spane**, Jackson, MS (US)

(72) Inventor: **Caitlyn Spane**, Jackson, MS (US)

(**) Term: **15 Years**

(21) Appl. No.: **29/670,957**

(22) Filed: **Nov. 21, 2018**

(51) **LOC (12) Cl.** **14-03**

(52) **U.S. Cl.**
USPC **D14/253**

(58) **Field of Classification Search**
USPC D14/251–253, 440, 447; D12/415;
D8/354
CPC F16M 13/00; F16M 2200/00
See application file for complete search history.

(56) **References Cited**

U.S. PATENT DOCUMENTS

D321,885 S *	11/1991	Sheldrake	D14/138 R
D528,539 S *	9/2006	McClaude	D14/253
D529,489 S *	10/2006	Sbordon, Jr.	D14/253
D577,358 S *	9/2008	Kettula	D14/251
D586,795 S *	2/2009	Richter	D14/253
D596,172 S *	7/2009	Ahlqvist	D14/251
D618,675 S *	6/2010	Thompson	D14/251
D621,823 S *	8/2010	Dai	D14/253
D710,363 S *	8/2014	Wengreen	D14/432
D730,887 S *	6/2015	Lindemann	D14/253
D746,806 S *	1/2016	Saunders	D14/253

D754,116 S *	4/2016	O'Neill	D14/252
D824,399 S *	7/2018	Wengreen	D14/447
D835,624 S *	12/2018	Li	D14/440

* cited by examiner

Primary Examiner — Janice Hallmark
(74) *Attorney, Agent, or Firm* — The Rapacke Law Group, P.A.

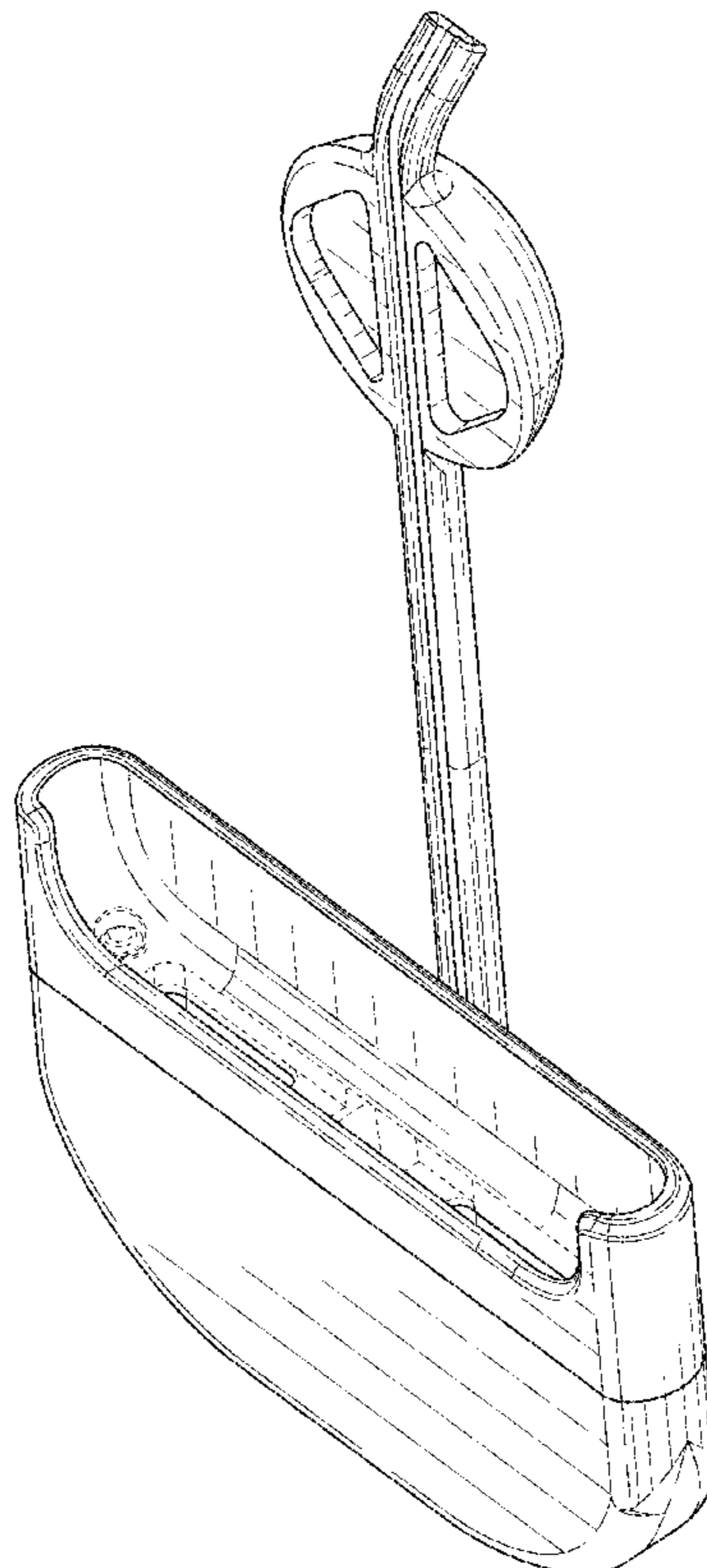
(57) **CLAIM**

The ornamental design for a mobile device holder, as shown and described.

DESCRIPTION

FIG. 1 is a perspective view of the mobile device holder showing the new design;
FIG. 2 is a front elevational view of the mobile device holder thereof;
FIG. 3 is a rear elevational view of the mobile device holder thereof;
FIG. 4 is a left side elevational view of the mobile device holder hereof;
FIG. 5 is a right side elevational view of the mobile device holder thereof;
FIG. 6 is a top plan view of the mobile device holder; and,
FIG. 7 is a bottom plan view of the mobile device holder thereof.
The broken lines in the drawings illustrate environmental subject matter and form no part of the claimed design.

1 Claim, 5 Drawing Sheets



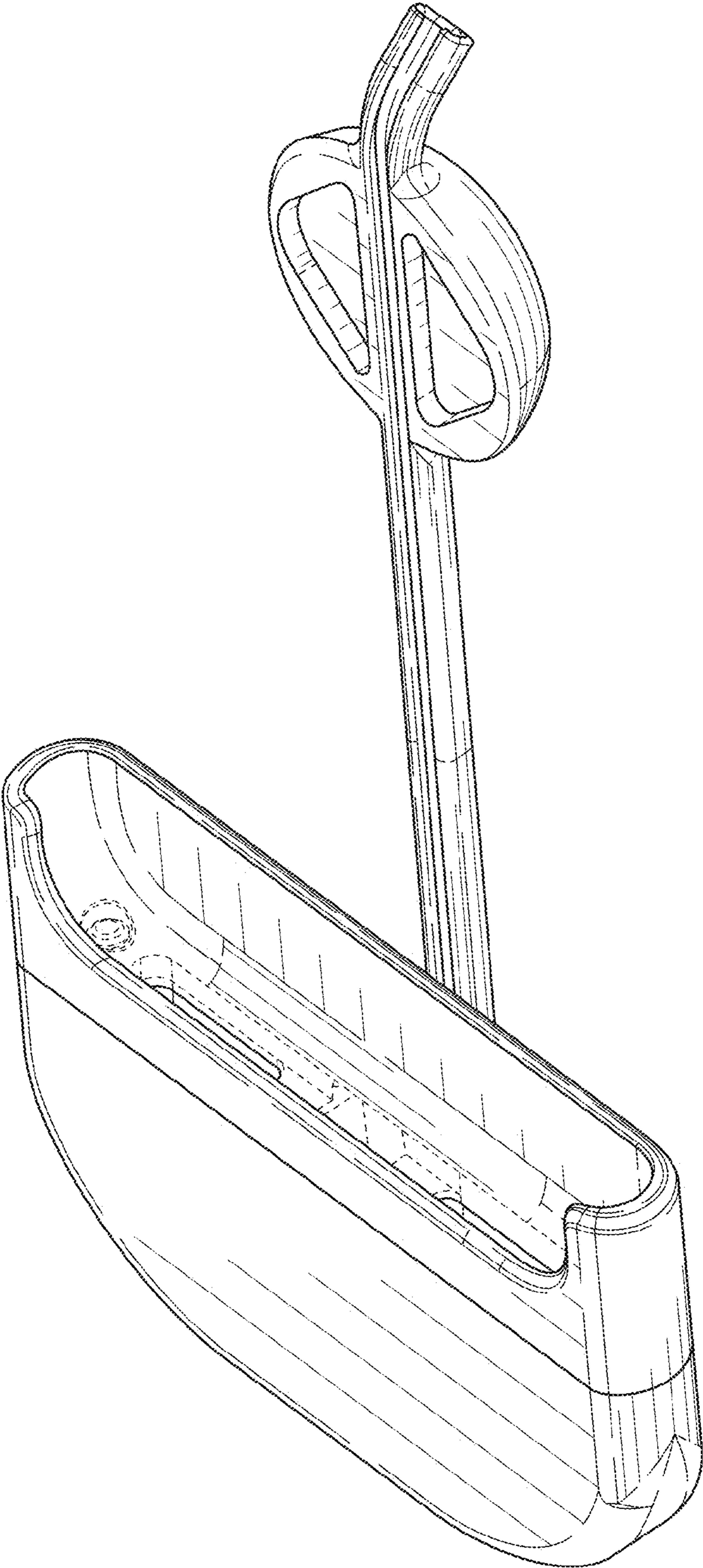


FIG. 1

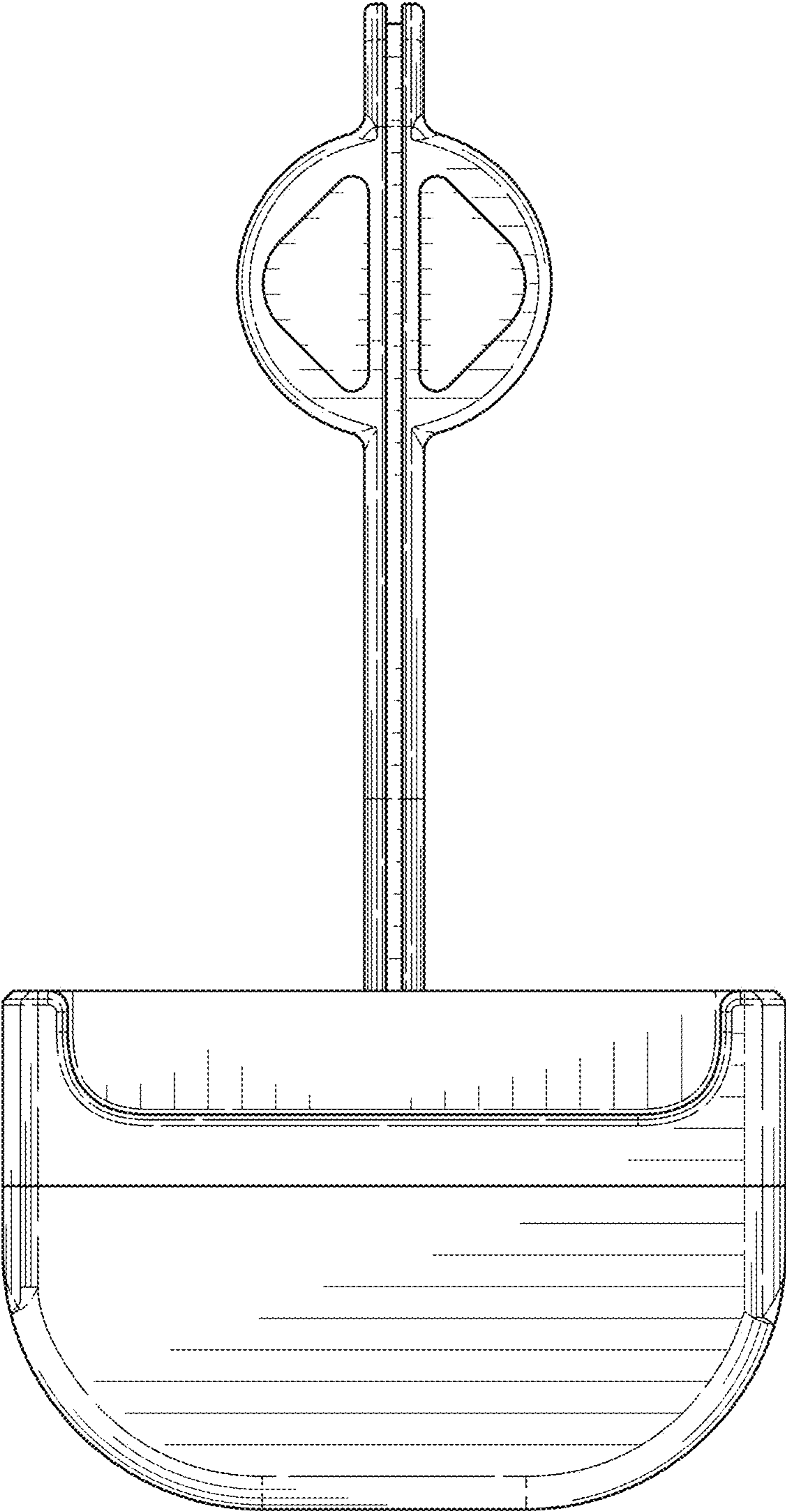


FIG. 2

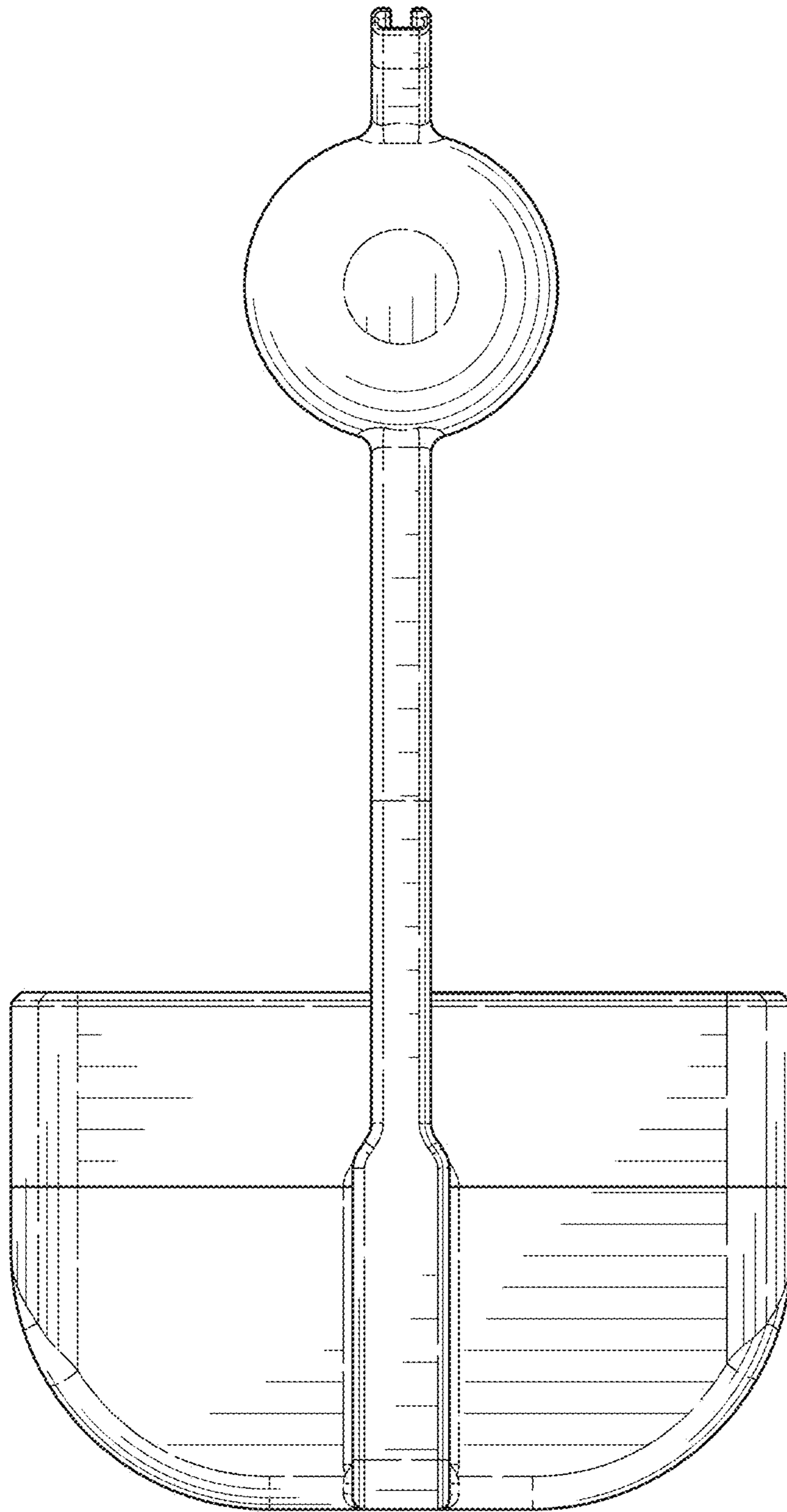


FIG. 3

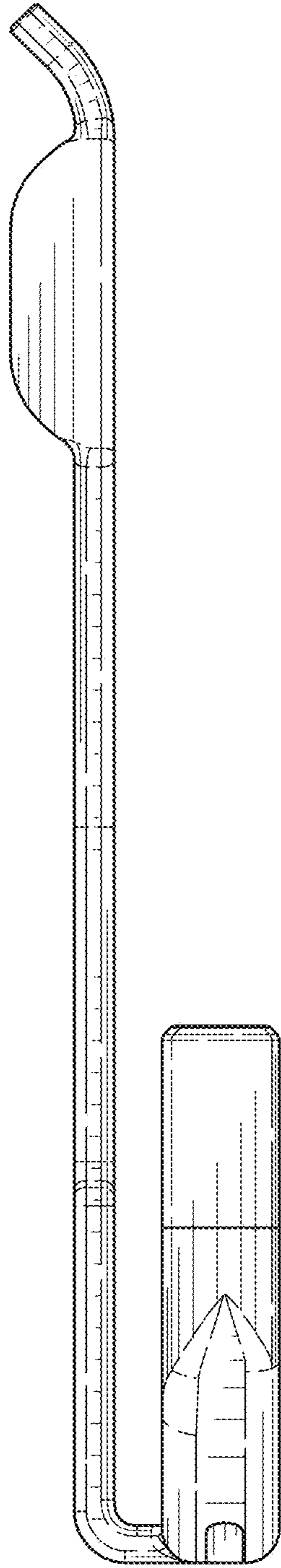


FIG. 4

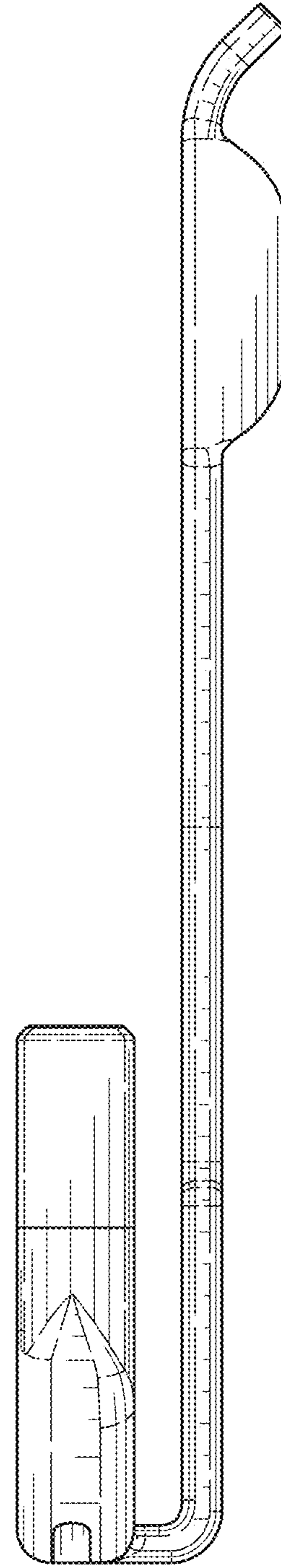


FIG. 5

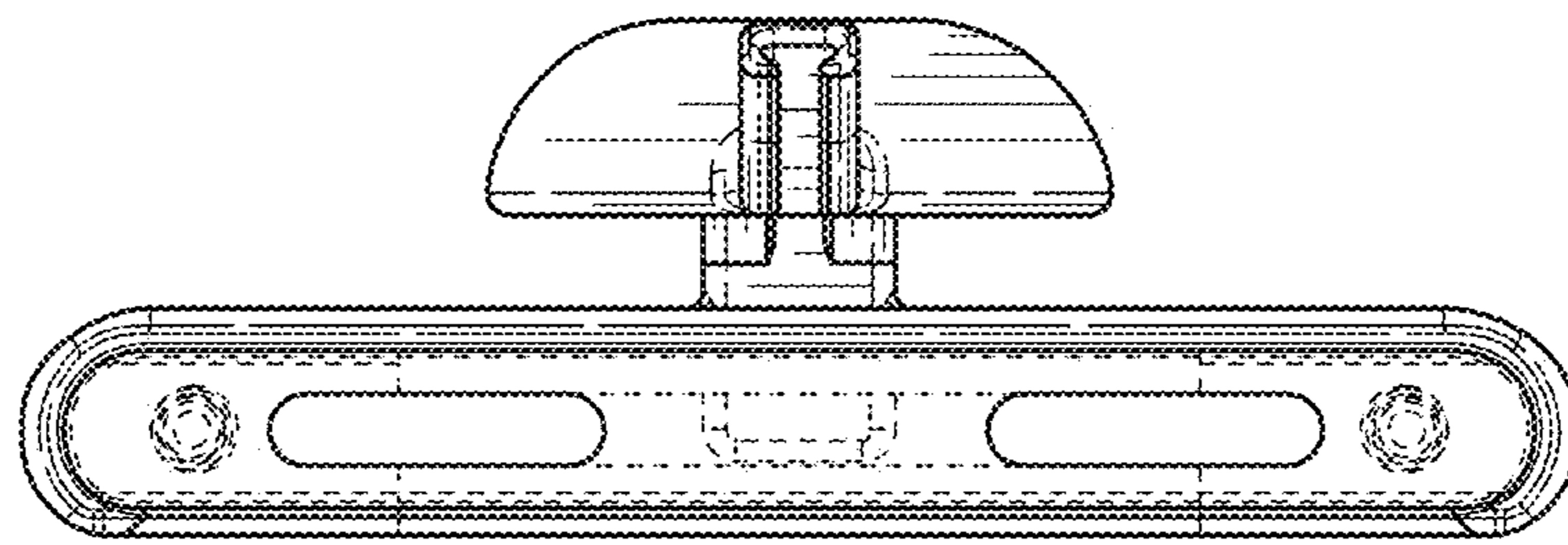


FIG. 6

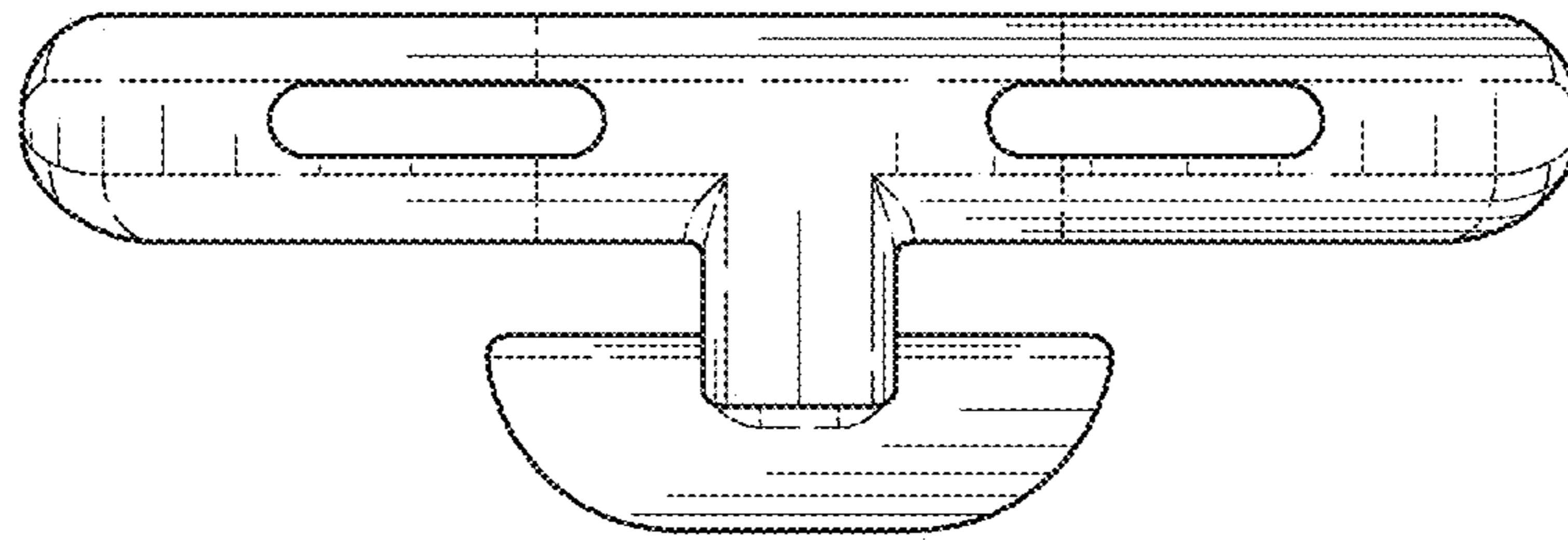


FIG. 7