



US00D878350S

(12) **United States Design Patent**
Stagge

(10) **Patent No.:** **US D878,350 S**

(45) **Date of Patent:** **** Mar. 17, 2020**

(54) **ATTACHABLE BISTABLE SPRING FOR A HANDHELD DEVICE**

(71) Applicant: **Scooch, LLC**, Noblevilles, IN (US)

(72) Inventor: **John Stagge**, Noblesville, IN (US)

(73) Assignee: **Scooch, LLC**, Noblesville, IN (US)

(**) Term: **15 Years**

(21) Appl. No.: **29/629,245**

(22) Filed: **Dec. 12, 2017**

(51) **LOC (12) Cl.** **14-03**

(52) **U.S. Cl.**
USPC **D14/253**

(58) **Field of Classification Search**
USPC D14/251–253, 358, 432, 434, 440, 447;
D3/218; D16/242, 243; D12/415;
D13/107, 108

(Continued)

(56) **References Cited**

U.S. PATENT DOCUMENTS

6,321,923 B1 11/2001 Wood
D660,305 S * 5/2012 Ho D14/447

(Continued)

FOREIGN PATENT DOCUMENTS

CN 302513001 7/2013
CN 203194032 9/2013

OTHER PUBLICATIONS

Case-Mate Snap Case for the iPhone 4 and 4s, Looney Tek,
Retrieved from: <https://www.youtube.com/watch?v=U39C61Hn7nQ>,
published on Mar. 31, 2012.

(Continued)

Primary Examiner — Janice Hallmark

(74) *Attorney, Agent, or Firm* — Frost Brown Todd LLC;
Dennis S. Schell; Kevin C. Oschman

(57) **CLAIM**

The ornamental design for an attachable bistable spring for a handheld device, as shown and described.

DESCRIPTION

FIG. 1 is a perspective view of the front-right side of an attachable bistable spring for a handheld device with a bistable spring in a first position, shown attached to an illustrative handheld device;

FIG. 2 is a front view of the attachable bistable spring for a handheld device with the bistable spring in a first position, shown attached to an illustrative handheld device;

FIG. 3 is a right side view of the attachable bistable spring for a handheld device with the bistable spring in a first position, shown attached to an illustrative handheld device;

FIG. 4 is a rear view of the attachable bistable spring for a handheld device with the bistable spring in a first position, shown attached to an illustrative handheld device;

FIG. 5 is a bottom view of the attachable bistable spring for a handheld device with the bistable spring in a first position, shown attached to an illustrative handheld device;

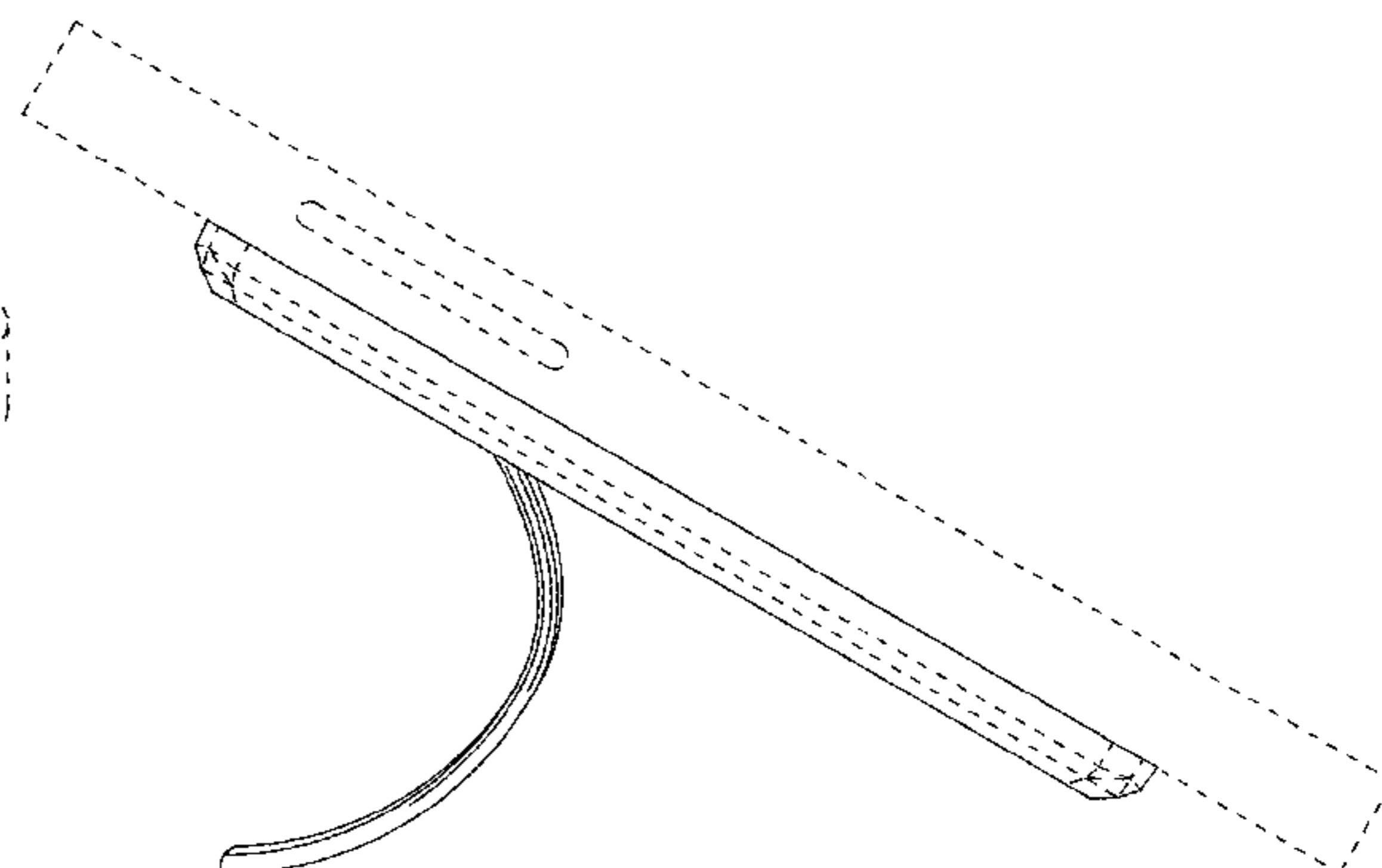
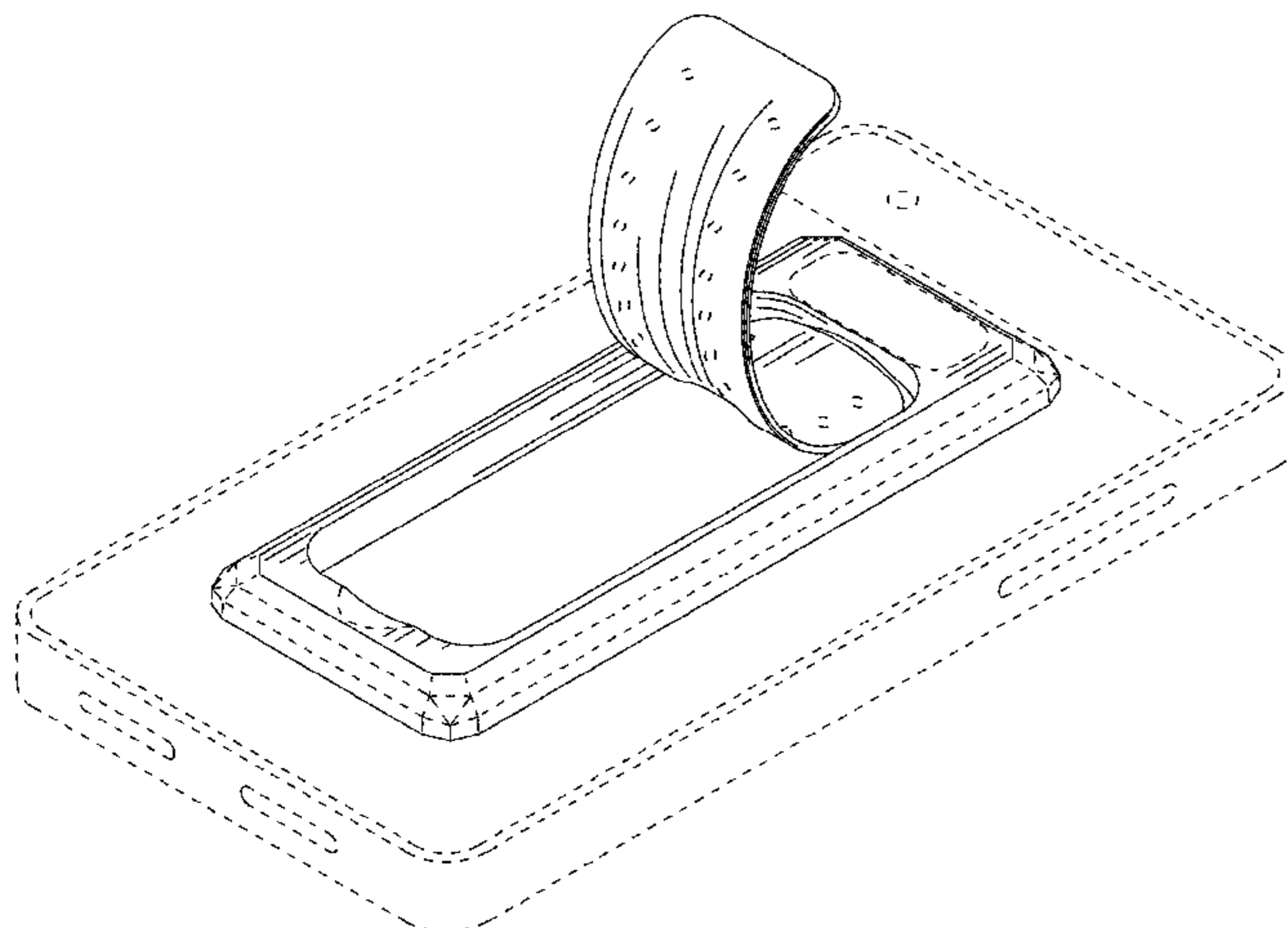
FIG. 6 is a perspective view of the rear-left side of the attachable bistable spring for a handheld device with the bistable spring in a first position, shown unattached and separated from an illustrative handheld device;

FIG. 7 is a perspective view of the front-right side of a attachable bistable spring for a handheld device of the new design with the bistable spring in a second position, shown attached to an illustrative handheld device; and,

FIG. 8 is a right side view of the attachable bistable spring for a handheld device with the bistable spring in a second position, shown positioned on a surface and attached to an illustrative handheld device.

The broken lines shown in the drawings are for the purposes of illustrating portions of the article that form no part of the claimed design, or for showing the unclaimed environment of the article (e.g. attached to a handheld device such as a smartphone). The unshaded surfaces adjacent to and between solid line and broken line disclosure form no part of the claimed design. The claim is directed to shaded

(Continued)



surfaces only. The left side view is a mirror image of the right side view and is therefore omitted. Additionally, the top view is a mirror image of the bottom view and is therefore omitted.

1 Claim, 8 Drawing Sheets

(58) **Field of Classification Search**

CPC A45C 11/00; A45F 5/00; F16M 11/06
See application file for complete search history.

(56) **References Cited**

U.S. PATENT DOCUMENTS

D676,037 S * 2/2013 Schupsky D14/253
D689,479 S * 9/2013 Soffer D14/253
8,522,965 B1 9/2013 Hsiung
D717,780 S 11/2014 Tussy
D719,951 S * 12/2014 Fenton D14/253
D721,373 S * 1/2015 Logereau D14/432
D729,223 S * 5/2015 Haarburger D14/253
D738,872 S 9/2015 Erickson-Davis et al.
D743,955 S * 11/2015 Wu D14/253
D749,069 S * 2/2016 Senoff D14/251
D749,559 S * 2/2016 Senoff D14/251
9,300,346 B2 * 3/2016 Hirsch H04B 1/385
D755,153 S * 5/2016 Steiner D14/138 R
D756,339 S 5/2016 Tussy
D761,240 S 7/2016 Ozolins et al.
D763,857 S * 8/2016 Dang D14/440
9,421,920 B2 * 8/2016 Jang A45F 5/00
D775,114 S 12/2016 Khalili
D777,162 S 1/2017 Erickson-Davis et al.

D778,275 S 2/2017 Gabriel et al.
D780,166 S 2/2017 Lin
D782,488 S * 3/2017 Kim D14/447
D786,235 S * 5/2017 Huotari D14/253
D795,238 S * 8/2017 Kim D14/250
D815,086 S * 4/2018 Jeon D14/251
D817,316 S * 5/2018 Srouf D14/251
D826,917 S * 8/2018 Zhong D14/253
D826,947 S * 8/2018 Zhong D14/439
D829,722 S * 10/2018 Kim D14/447
D830,367 S * 10/2018 Chang D14/440
D835,091 S * 12/2018 Torrance D14/253
D840,988 S 2/2019 Kim
D841,636 S 2/2019 Turk
D842,290 S * 3/2019 Robertson D14/250
D842,851 S * 3/2019 Leitman D14/253
D845,955 S * 4/2019 Zhong D14/439
2012/0006950 A1 * 1/2012 Vandiver F16M 11/10
248/176.3
2012/0025039 A1 * 2/2012 Segal F16M 11/24
248/188.6
2012/0074291 A1 3/2012 Fu
2012/0106054 A1 * 5/2012 Royz F16M 11/10
361/679.3
2016/0345695 A1 12/2016 Stagge
2017/0055660 A1 * 3/2017 Tien A45C 11/00

OTHER PUBLICATIONS

Scooch LLC, Clipstic Pro Cases, Available on Internet Archive Wayback Machine at <URL: <https://web.archive.org/web/20160205142047/http://scoochcase.com>>, Feb. 5, 2016.
Notice of Allowance issued by the USPTO dated May 21, 2019 for U.S. Appl. No. 29/629,248.

* cited by examiner

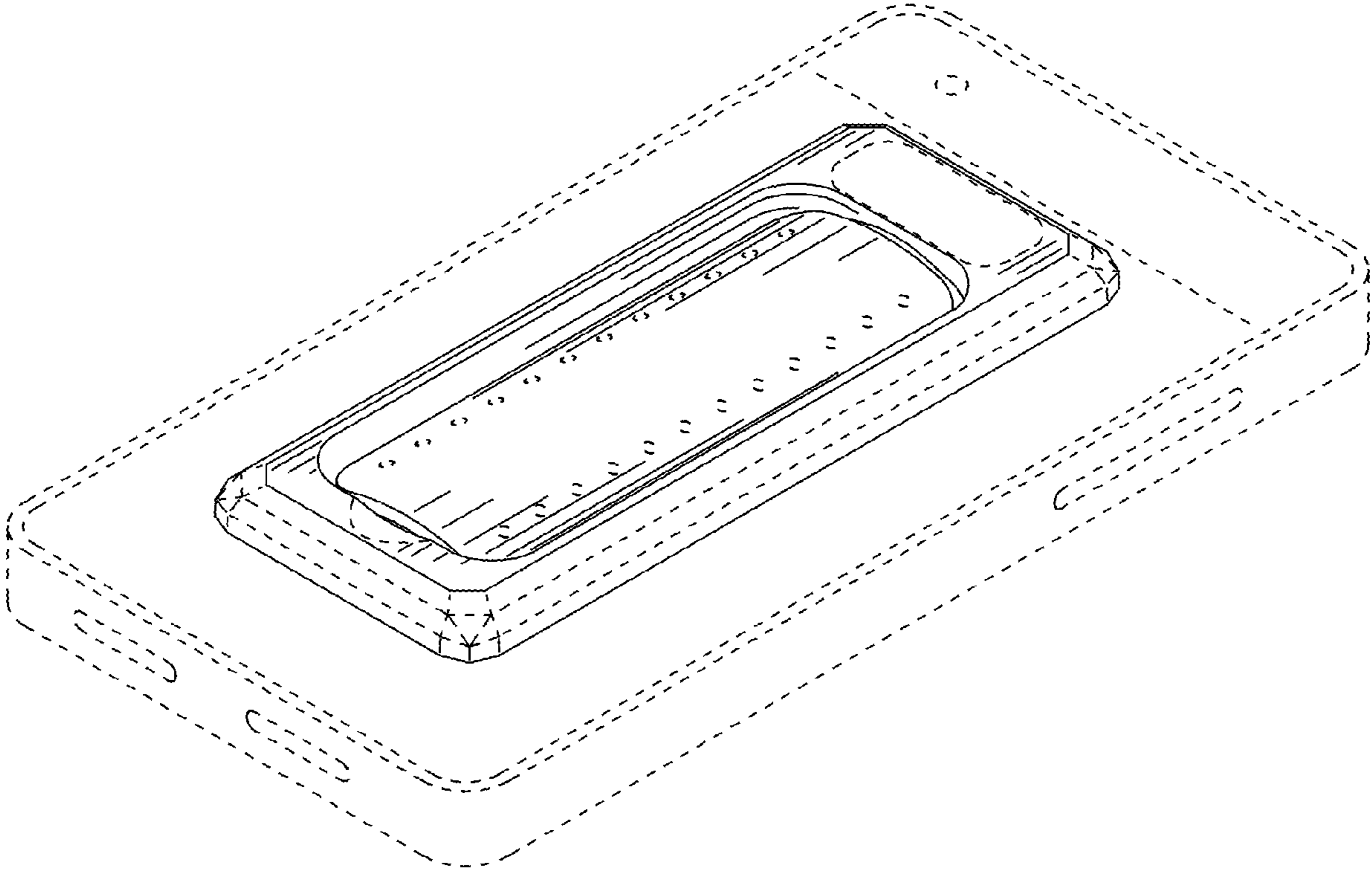


FIG. 1

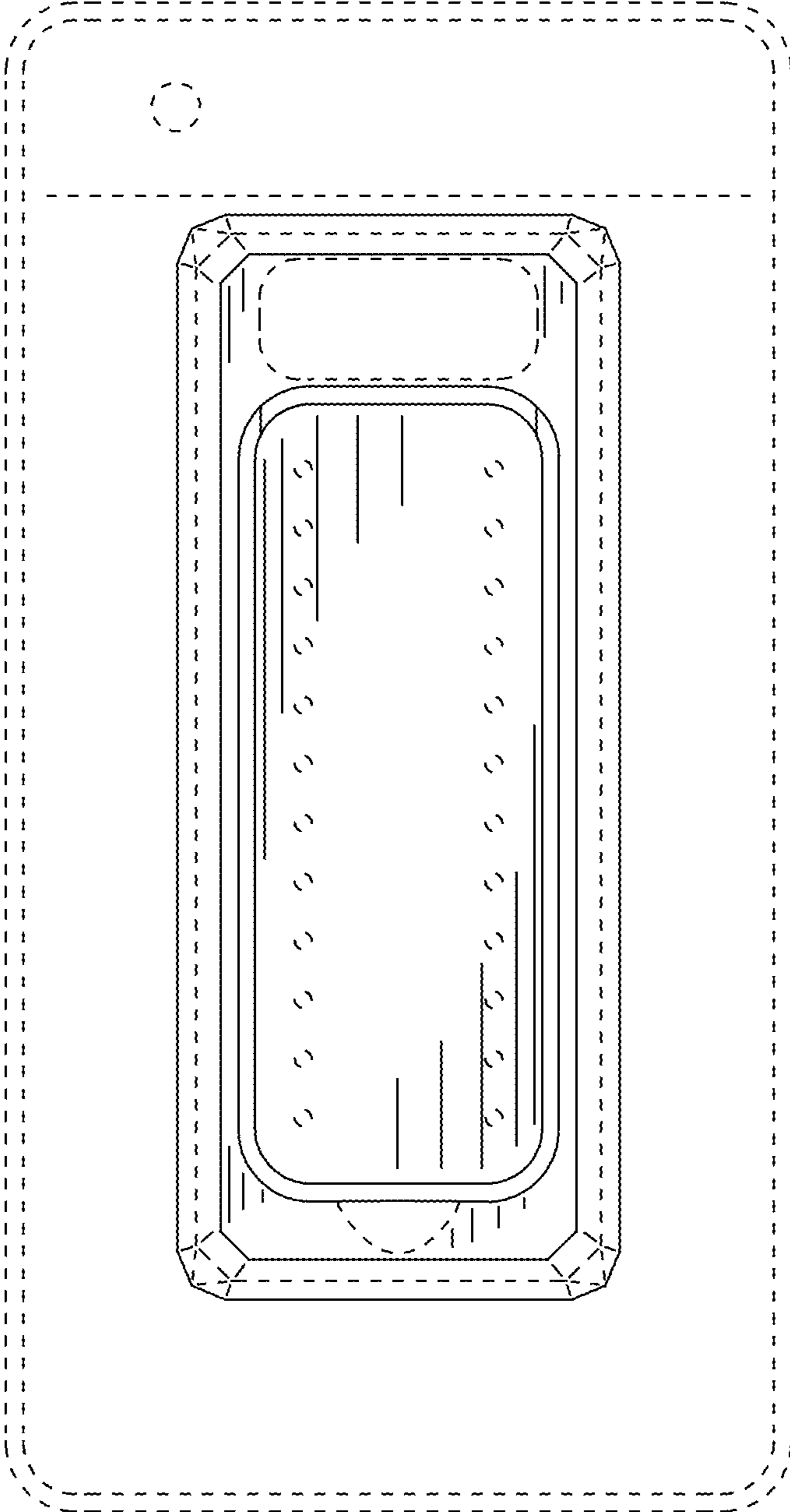


FIG. 2

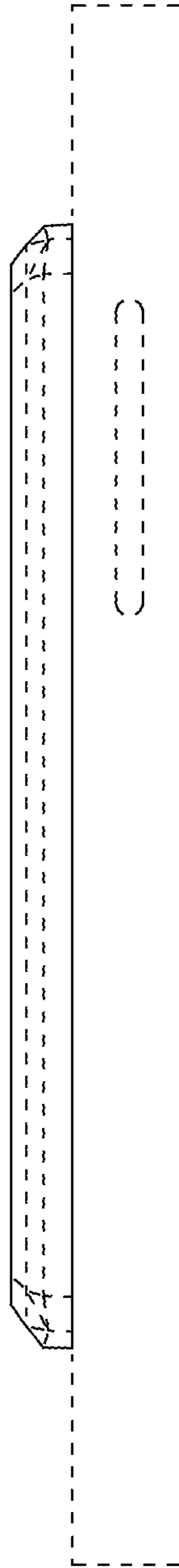


FIG. 3

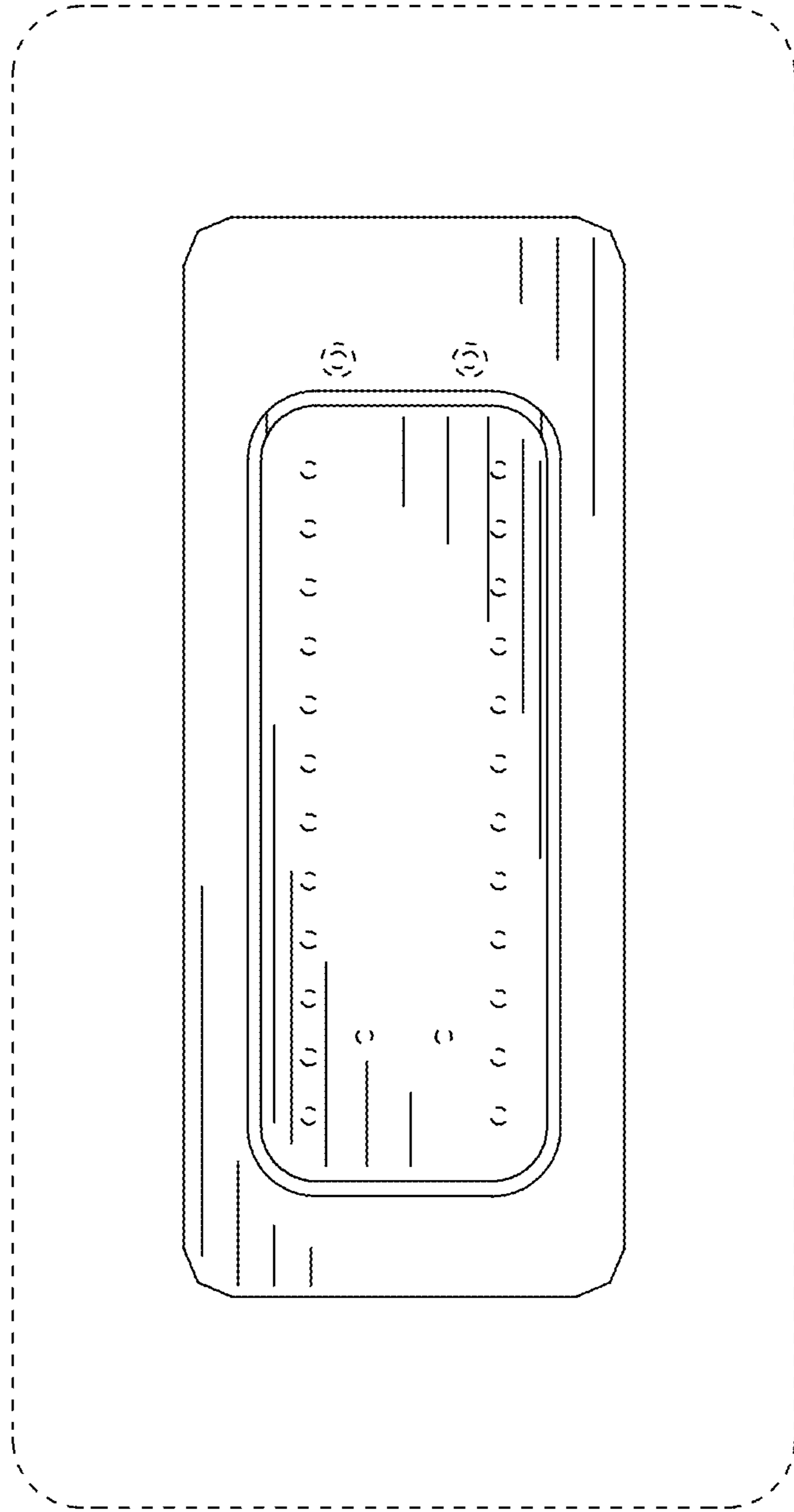


FIG. 4

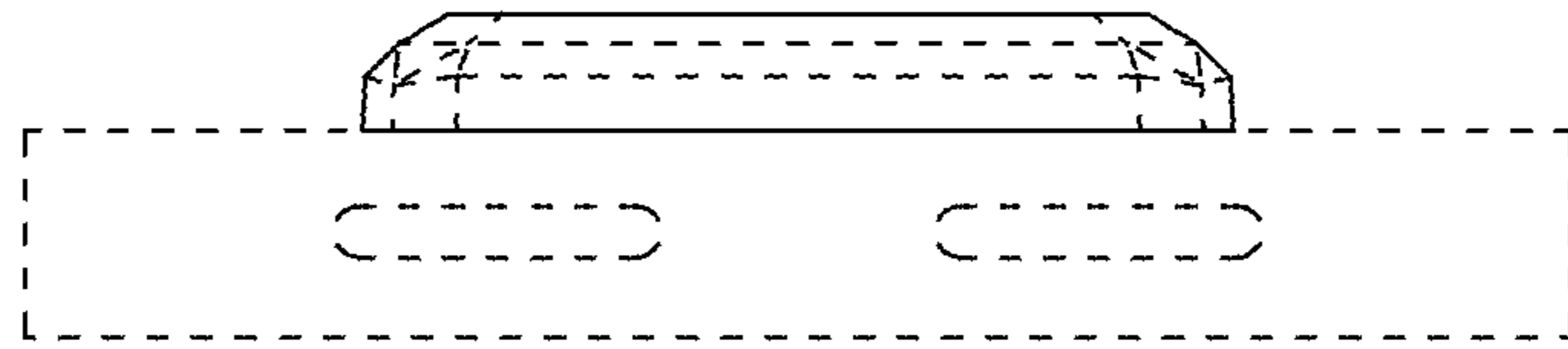


FIG. 5

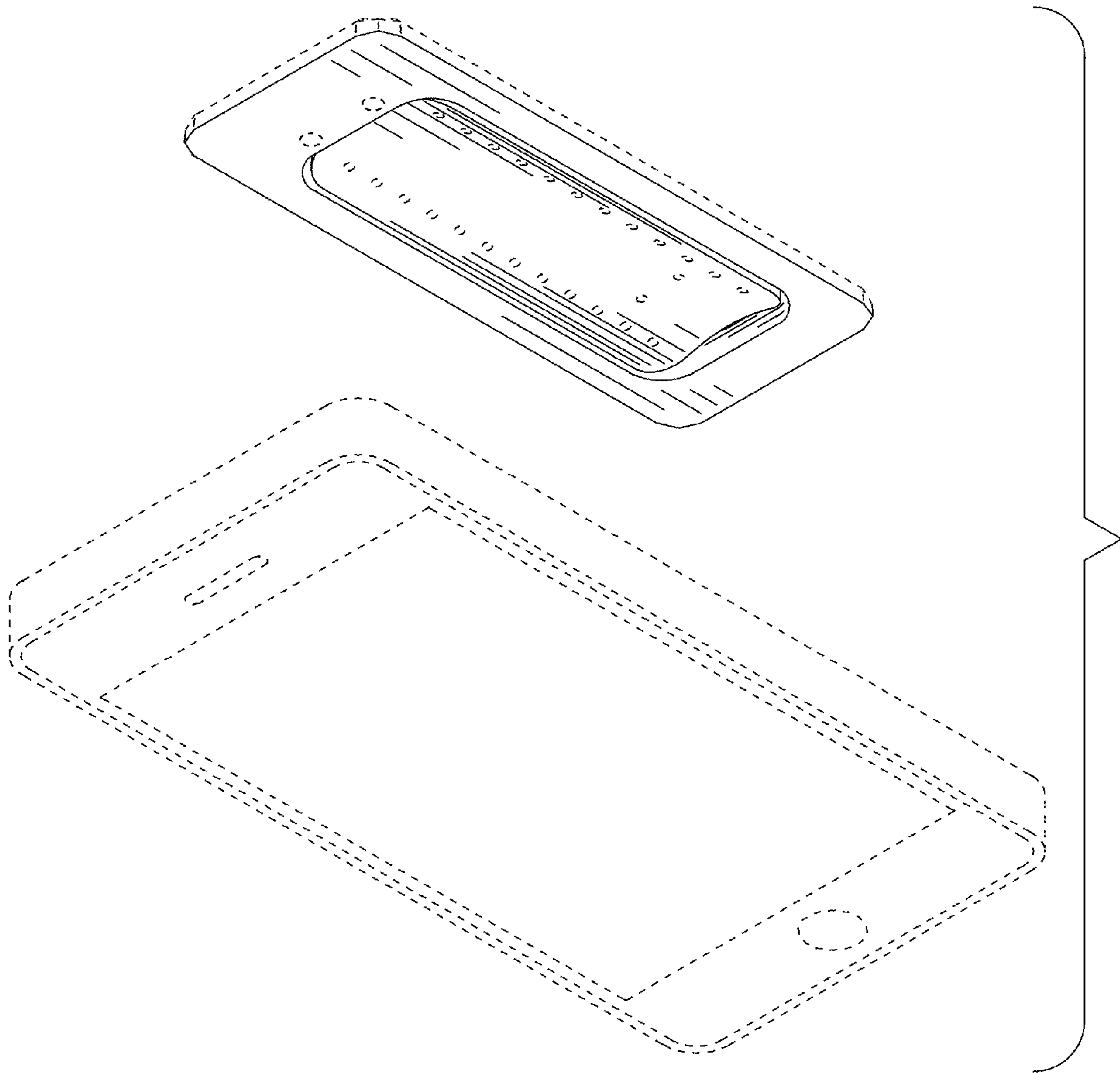


FIG. 6

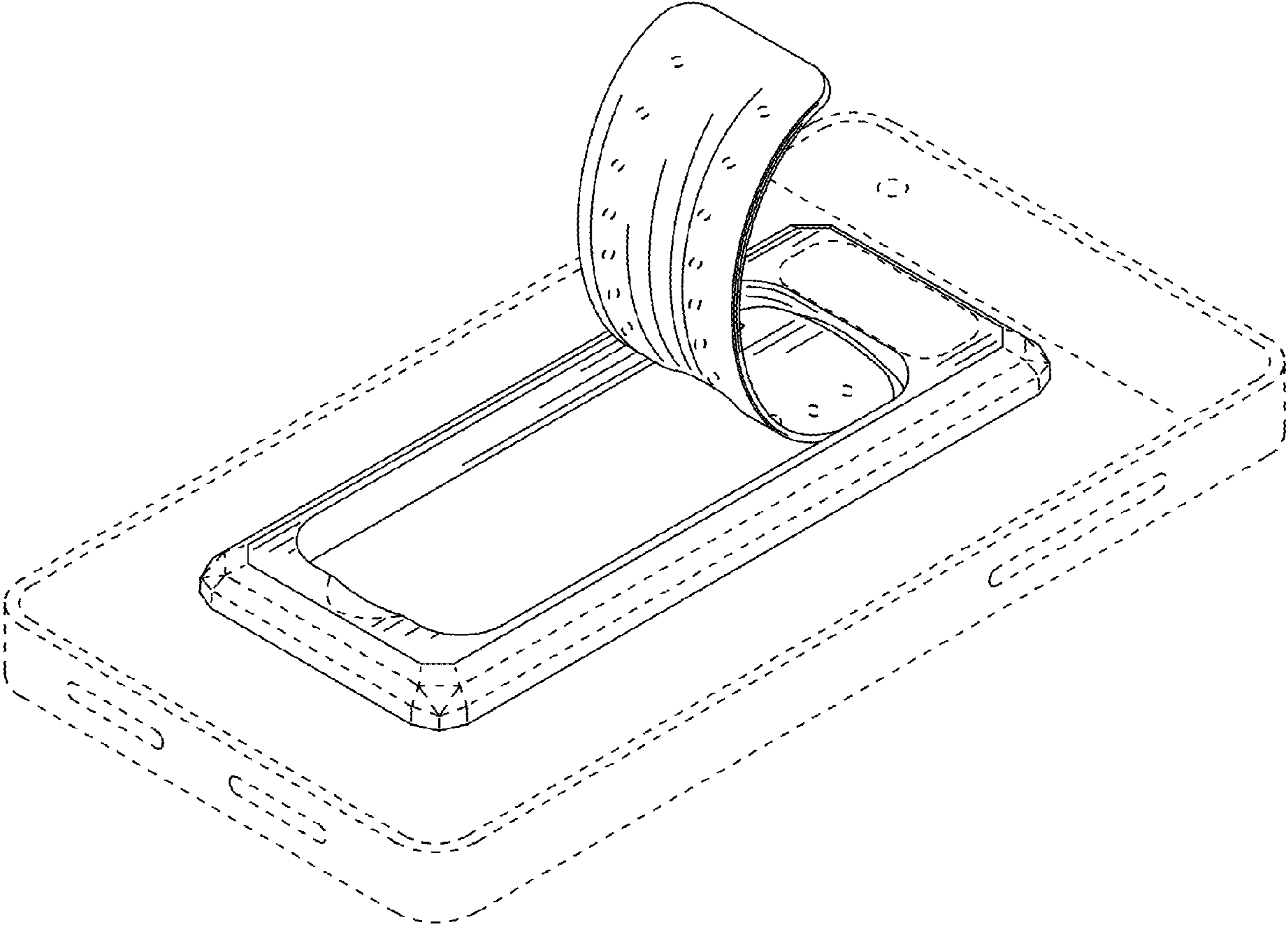


FIG. 7

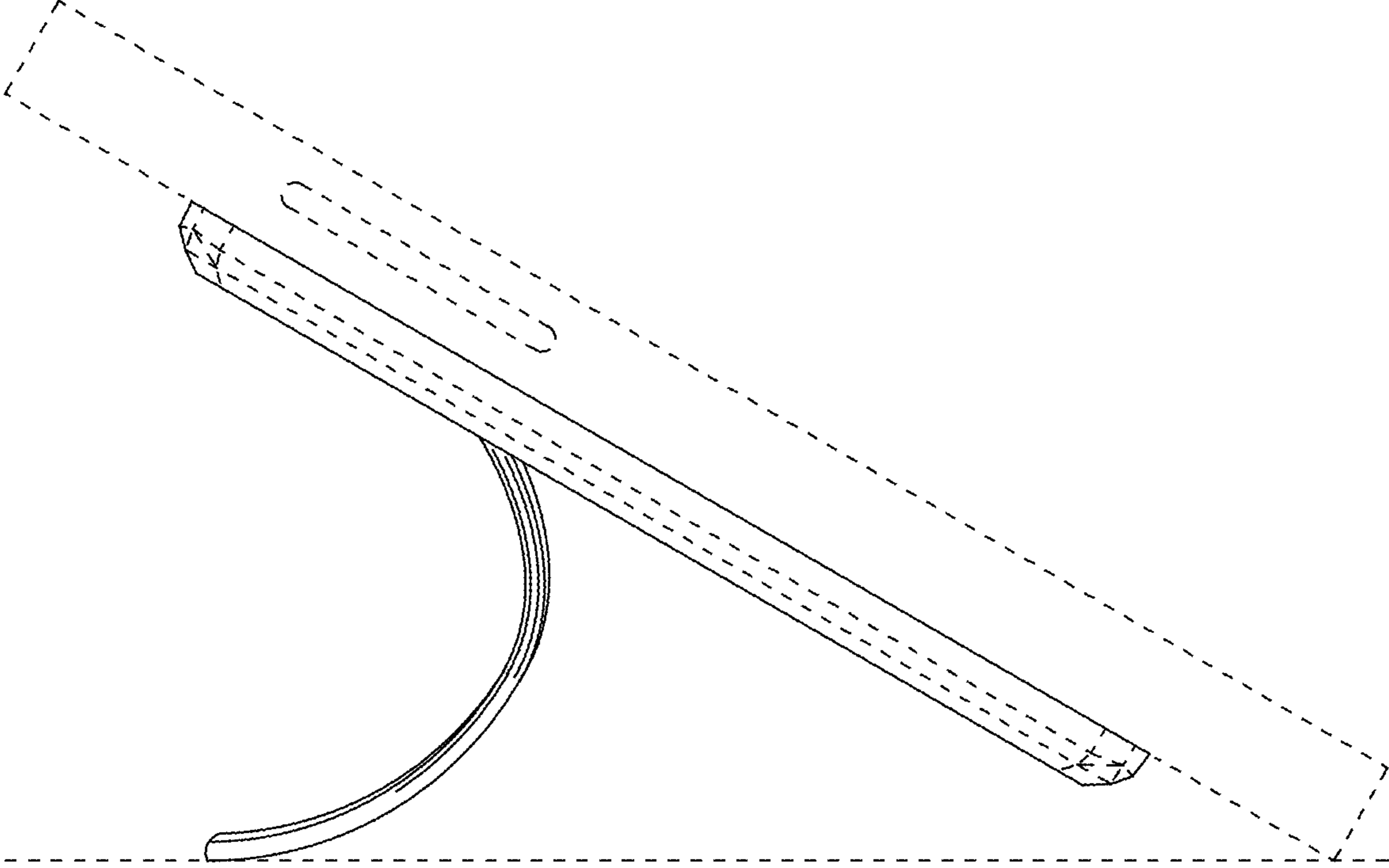


FIG. 8