



US00D878347S

(12) **United States Design Patent** (10) **Patent No.:** **US D878,347 S**
Ahn (45) **Date of Patent:** **** Mar. 17, 2020**

(54) **CASE FOR ELECTRONIC COMMUNICATIONS DEVICE**
(71) Applicant: **SPIGEN KOREA CO., LTD.**, Seoul (KR)
(72) Inventor: **Deok Hyun Ahn**, Seoul (KR)
(73) Assignee: **Spigen Korea CO., LTD.**, Seoul (KR)

D641,354 S 7/2011 Hsu
D646,673 S * 10/2011 Fathollahi D14/250
D668,245 S * 10/2012 Bau D14/132
D670,279 S 11/2012 Veltz
D675,604 S 2/2013 Limber
D682,260 S * 5/2013 Tages D14/250
D684,150 S 6/2013 Goradesky et al.
D685,361 S 7/2013 Goradesky et al.

(Continued)

(**) Term: **15 Years**

OTHER PUBLICATIONS

(21) Appl. No.: **29/621,238**

“Spigen Rugged Armor iPhone 6S Case with Resilient Shock Absorption and Carbon Fiber Design for iPhone 6S/iPhone 6—Black”, <http://www.amazon.com/dp/B010MVJM5K>, Earliest review date of Sep. 3, 2015, Downloaded on Jul. 18, 2018.

(22) Filed: **Oct. 5, 2017**

(Continued)

Related U.S. Application Data

(63) Continuation of application No. 29/598,701, filed on Mar. 28, 2017, now Pat. No. Des. 820,821.

Primary Examiner — Carla J Wright

(51) **LOC (12) Cl.** **14-03**

(74) *Attorney, Agent, or Firm* — Heedong Chae; Lucem, PC

(52) **U.S. Cl.**

USPC **D14/250**

(58) **Field of Classification Search**

USPC D14/248, 439, 203.3–203.7, 447, 238.1, D14/440, 251–253, 217, 240, 250; D3/201, 218, 247, 269, 273, 301, 303; D13/103, 107–108, 119

CPC H04B 1/3888; H04M 1/0283; H04M 1/0202; A45C 1/06; A45C 2011/002; A45C 11/00; A45C 13/02; A45F 2005/026; A45F 2200/0525; A45F 2200/0516

See application file for complete search history.

(57) **CLAIM**

The ornamental design for a case for electronic communications device, as shown and described.

DESCRIPTION

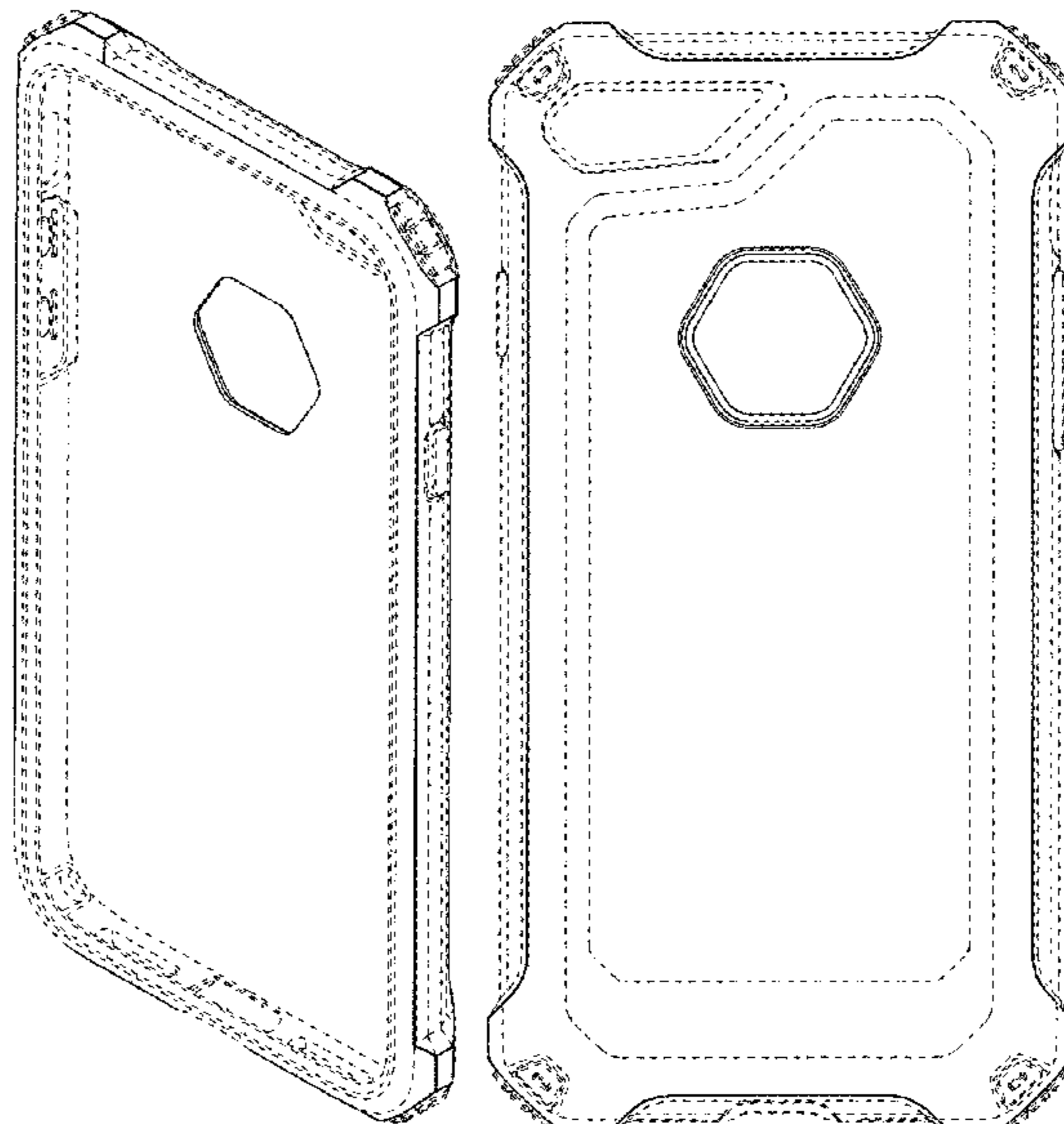
FIG. 1 is a front perspective view of a case for electronic communications device showing my new design; FIG. 2 is a rear perspective view thereof; FIG. 3 is a front elevational view thereof; FIG. 4 is a rear elevational view thereof; FIG. 5 is a left side elevational view thereof; FIG. 6 is a right side elevational view thereof; FIG. 7 is a top plan view thereof; and, FIG. 8 is a bottom plan view thereof. The broken lines throughout the drawing figures illustrate portions of the case for electronic communications device that form no part of the claimed design.

(56) **References Cited**

U.S. PATENT DOCUMENTS

6,616,111 B1 9/2003 White
D577,904 S 10/2008 Sasaki
D623,651 S 9/2010 Hsu
D623,652 S 9/2010 Hsu
D633,089 S 2/2011 Hsu

1 Claim, 8 Drawing Sheets



(56)

References Cited

U.S. PATENT DOCUMENTS

D693,350 S * 11/2013 Mish D14/440
 D693,819 S 11/2013 Cocquyt
 D694,742 S 12/2013 Pan
 8,774,882 B2 * 7/2014 Tages H04M 1/185
 455/575.8
 D716,280 S 10/2014 Macrina
 D716,294 S 10/2014 Park
 D717,775 S * 11/2014 Hemesath D14/250
 D718,315 S 11/2014 Carpenter
 D718,316 S * 11/2014 Veltz D14/440
 D719,565 S * 12/2014 Hirayama D14/341
 D719,947 S 12/2014 Kobayashi
 D728,549 S 5/2015 Su
 D729,219 S * 5/2015 Yung D14/250
 D733,154 S 6/2015 Armstrong
 D742,869 S * 11/2015 Odhwani D14/250
 D745,524 S 12/2015 Hung
 D746,801 S 1/2016 Pan
 9,270,795 B2 * 2/2016 Endo H01Q 1/243
 D750,610 S 3/2016 Chen
 D755,772 S 5/2016 Sasaki
 D757,017 S 5/2016 Sirichai
 D762,204 S * 7/2016 Armstrong D14/250
 D762,631 S * 8/2016 Kim D14/250
 D762,633 S 8/2016 Fife
 D763,854 S 8/2016 Domke
 D766,885 S * 9/2016 Armstrong D14/250
 D769,855 S 10/2016 Deng
 D775,100 S 12/2016 Teruyama
 D775,617 S 1/2017 Samson
 D776,104 S 1/2017 Tien
 D776,105 S 1/2017 Han
 D777,727 S 1/2017 Maicon
 D780,167 S 2/2017 Tien
 D780,741 S 3/2017 Yin

D783,011 S * 4/2017 Fife D14/250
 D783,588 S 4/2017 Chang
 D785,612 S 5/2017 Kim
 D786,225 S * 5/2017 Kim D14/248
 D792,877 S * 7/2017 Kim D14/250
 D793,383 S * 8/2017 Cai D14/341
 D798,854 S * 10/2017 Babichenko D14/250
 D802,577 S * 11/2017 Ahn D14/250
 D808,374 S 1/2018 Lee et al.
 D812,600 S * 3/2018 Altaras D14/250
 2002/0085342 A1 7/2002 Chen
 2012/0325720 A1 12/2012 Tages
 2013/0271897 A1 10/2013 Limber
 2013/0331155 A1 12/2013 Tages
 2014/0076753 A1 * 3/2014 Limber H04B 1/3888
 206/320
 2014/0216973 A1 * 8/2014 Chang B65D 81/022
 206/521
 2014/0252786 A1 9/2014 Singhal
 2015/0068934 A1 3/2015 Armstrong
 2016/0021996 A1 1/2016 Tien
 2016/0197638 A1 7/2016 Demnard
 2016/0219999 A1 8/2016 Chang
 2017/0033824 A1 * 2/2017 Tien H04B 1/3888

OTHER PUBLICATIONS

“Spigen Rugged Armor iPhone 6S Plus Case with Resilient Shock Absorption and Carbon Fiber Design for iPhone 6S Plus 2015—Black”, <http://www.amazon.com/dp/B010MVR76Q>, Earliest review date of Sep. 7, 2015, Downloaded on Jul. 18, 2018.

“Spigen Tough Armor Tech iPhone 6S Case with Extreme Shock and Drop Protection for Apple iPhone 6 / 6S—Gunmetal”, <http://www.amazon.com/dp/B013TKNSIS>, Earliest review date of Oct. 3, 2015, Downloaded on Jan. 15, 2019.

* cited by examiner

FIG. 1

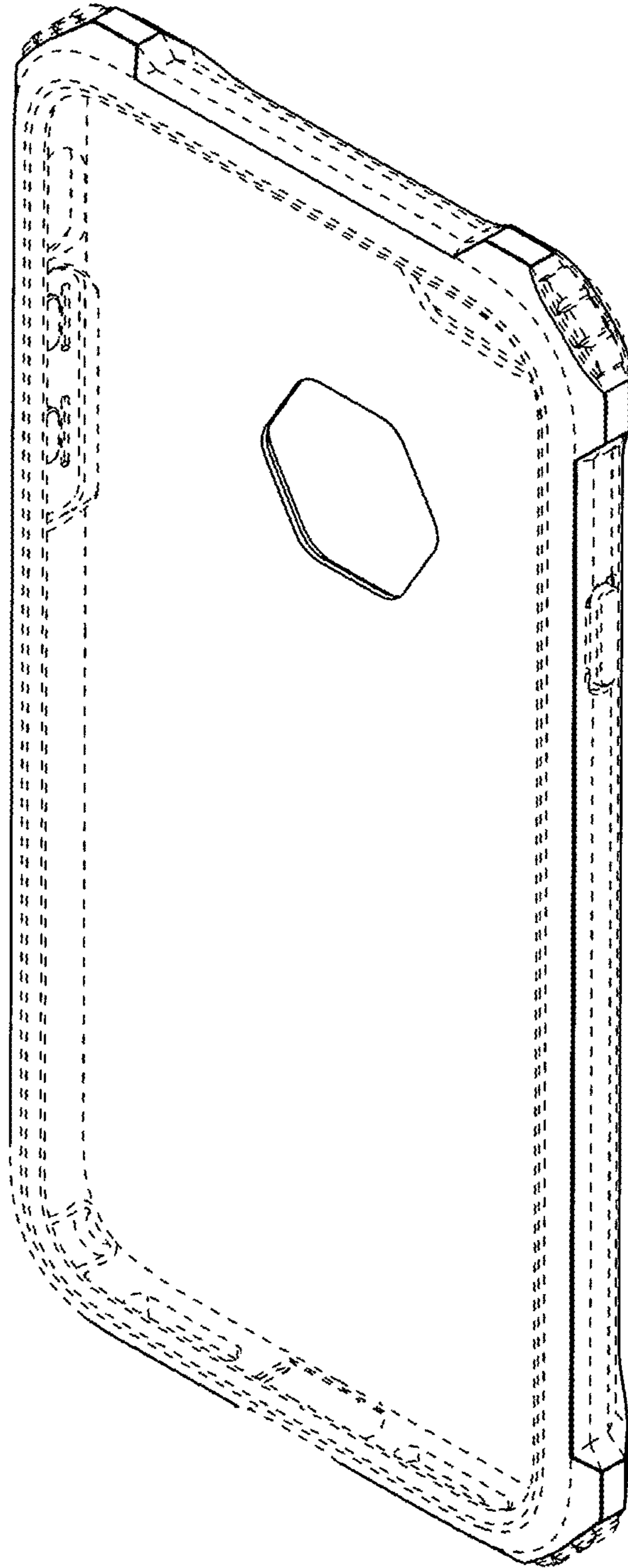


FIG. 2

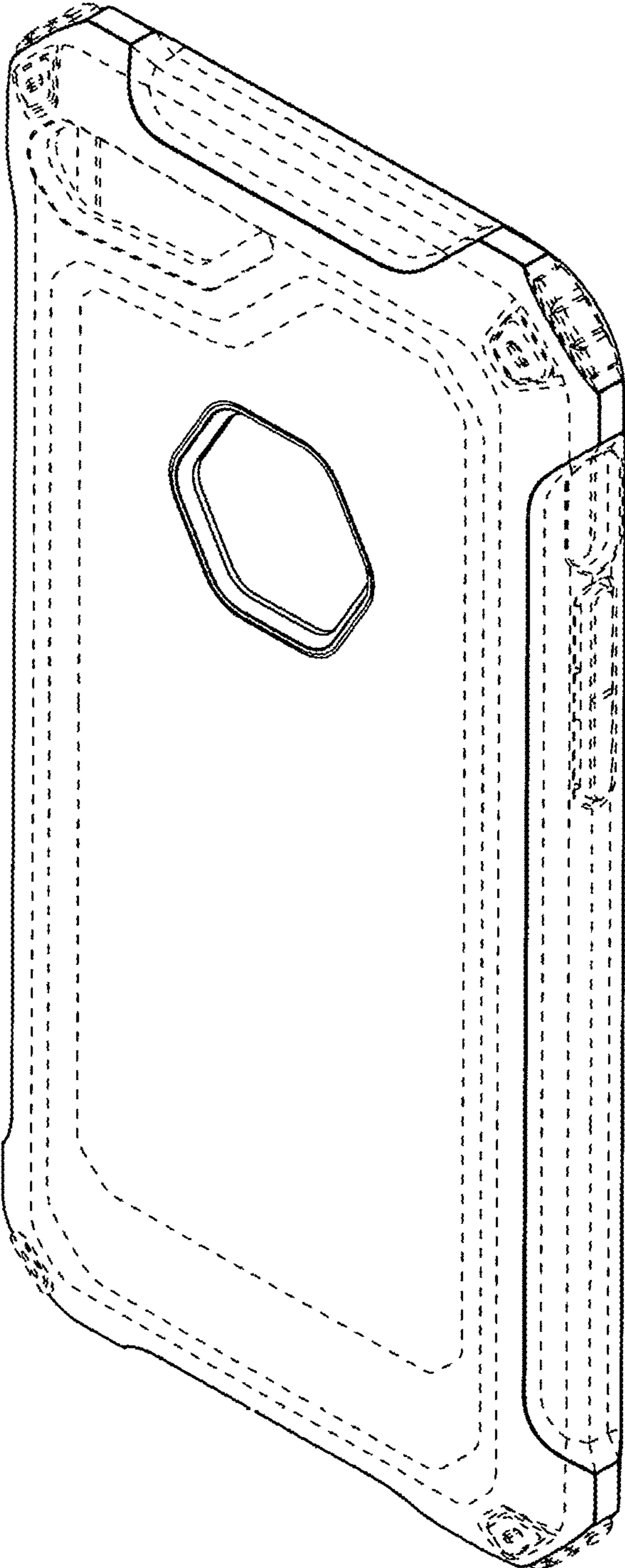


FIG. 3

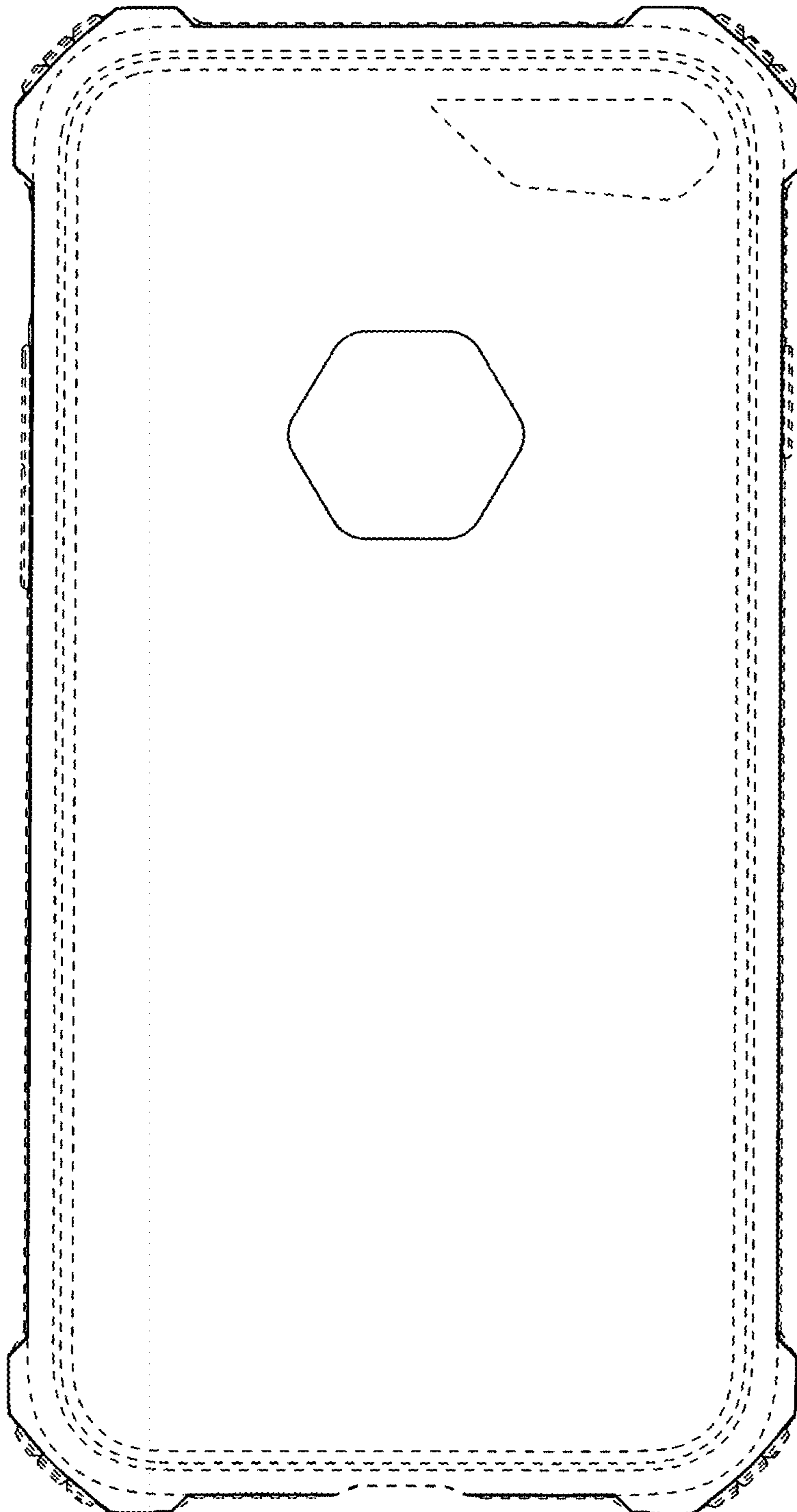


FIG. 4

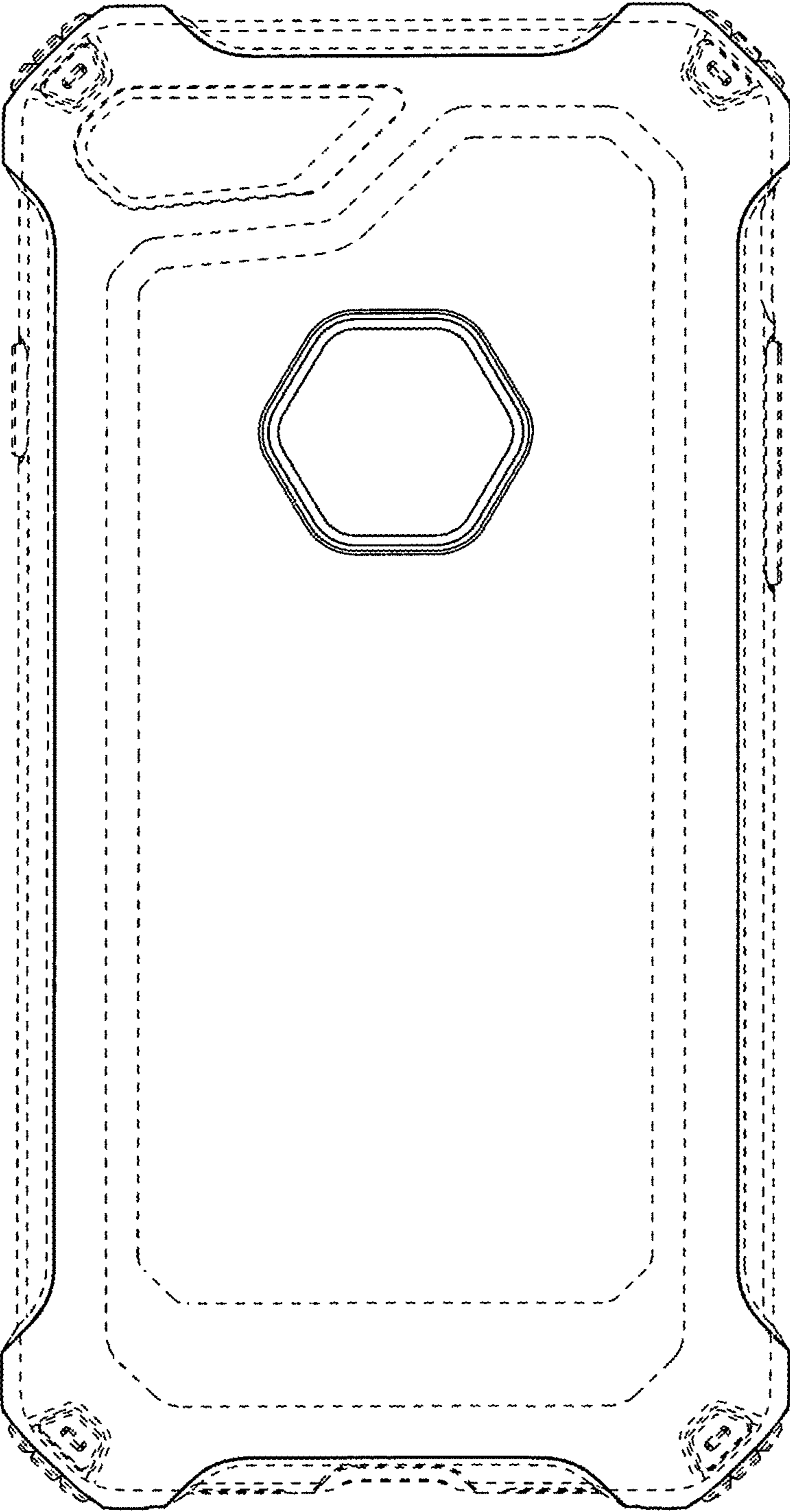


FIG. 5

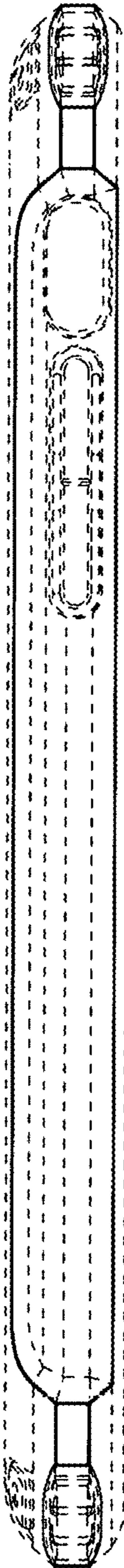


FIG. 6

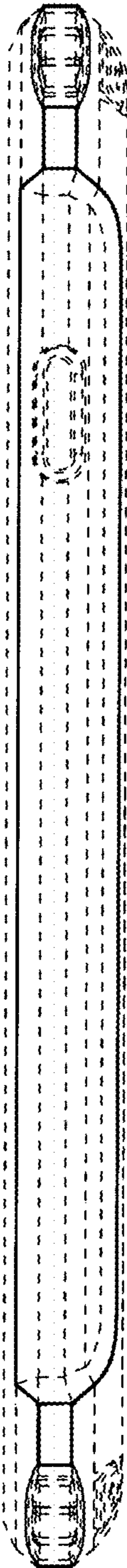


FIG. 7

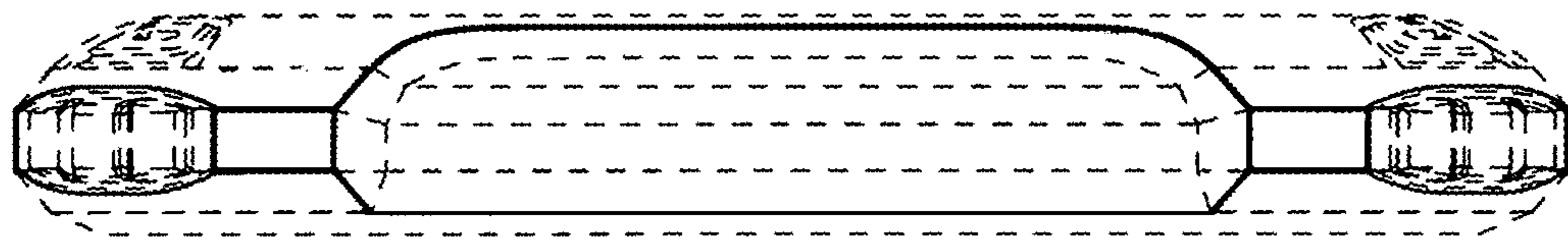


FIG. 8

