



US00D878343S

(12) **United States Design Patent** (10) **Patent No.:** **US D878,343 S**
Yang (45) **Date of Patent:** **** Mar. 17, 2020**

(54) **ANTENNA**
(71) Applicant: **SHENZHEN ANTOP TECHNOLOGY LIMITED**, Shenzhen (CN)
(72) Inventor: **Ruidian Yang**, Shenzhen (CN)
(73) Assignee: **SHENZHEN ANTOP TECHNOLOGY LIMITED**, Shenzhen (CN)
(**) Term: **15 Years**
(21) Appl. No.: **29/691,948**
(22) Filed: **May 21, 2019**

Related U.S. Application Data

(62) Division of application No. 29/617,825, filed on Sep. 15, 2017.
(51) **LOC (12) Cl.** **14-03**
(52) **U.S. Cl.**
USPC **D14/230**
(58) **Field of Classification Search**
USPC D14/230-238, 138, 172, 188, 203.1, D14/203.3, 203.6, 204, 216, 221, 238.1, D14/240, 242, 299, 314, 343, 356, 358, D14/496, 509, 497, 498, 500, 506, D14/168-171, 195, 211, 265
CPC H01Q 1/12; H01Q 1/22; H01Q 1/007; H01Q 1/38; H01Q 7/00; H01Q 9/40; H01Q 9/285; H01Q 9/065; H01Q 9/44; H01Q 9/265; H01Q 19/10; H01Q 19/106; H01Q 19/12; H01Q 19/13; H01Q 19/15; H01Q 19/30; H01Q 21/28; H01Q 21/06; H01Q 21/062; H01Q 21/293; G05D 1/02; G05D 1/0234

See application file for complete search history.

(56) **References Cited**
U.S. PATENT DOCUMENTS
D188,495 S † 8/1960 Gould D14/230
D209,969 S * 1/1968 Greenberg D14/230
3,396,399 A * 8/1968 Winegard H01Q 19/30
343/811
3,475,759 A * 10/1969 Winegard H01Q 1/1228
343/701
D358,820 S † 5/1995 Gunnarsson D14/238
D364,874 S † 12/1995 Cheng D14/230
D418,840 S † 1/2000 Cota D12/333
D426,233 S † 6/2000 Chrisey 343/795
(Continued)

OTHER PUBLICATIONS

Antop AV-184, online, no post date, URL: <http://www.antop.com/av-184>, retrieved Jun. 25, 2019.*
(Continued)

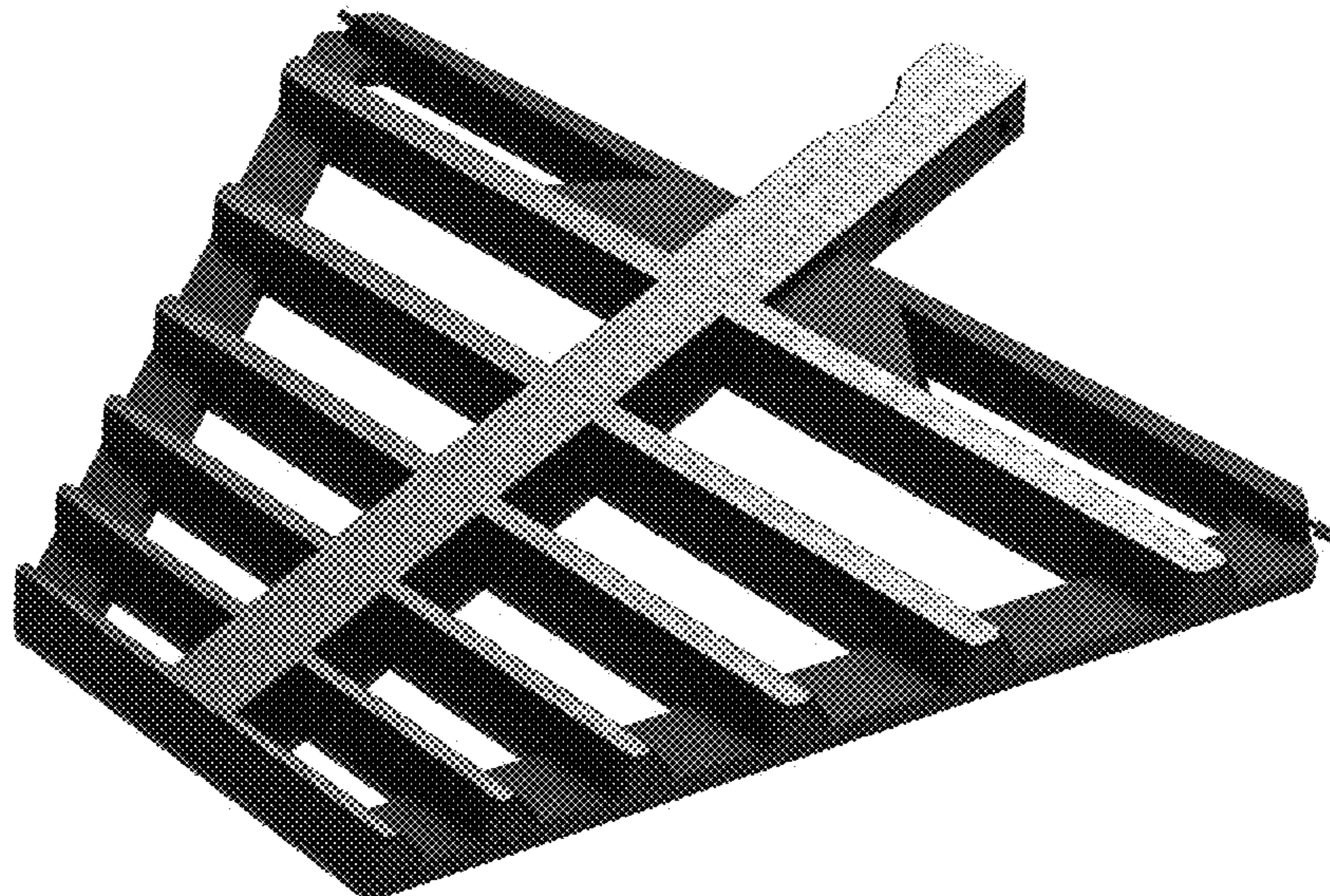
Primary Examiner — Jeffrey D Asch
Assistant Examiner — Rebekah A Caruso
(74) *Attorney, Agent, or Firm* — Muncy, Geissler, Olds & Lowe, P.C.

(57) **CLAIM**
The ornamental design for an antenna, as shown and described.

DESCRIPTION

FIG. 1 is a front elevational view of an antenna showing my new design;
FIG. 2 is a rear elevational view thereof;
FIG. 3 is a left side elevational view thereof;
FIG. 4 is a right side elevational view thereof;
FIG. 5 is a top plan view thereof;
FIG. 6 is a bottom plan view thereof;
FIG. 7 is a front, bottom, left perspective view thereof;
FIG. 8 is a front, top, left perspective view thereof; and,
FIG. 9 is a rear, bottom, right perspective view thereof.

1 Claim, 9 Drawing Sheets



(56)

References Cited

U.S. PATENT DOCUMENTS

D427,997	S	‡	7/2000	Inoue	D14/230
D468,302	S	‡	1/2003	Sato	D14/235
D520,990	S	‡	5/2006	Kowalewicz	D14/230
D533,545	S	‡	12/2006	Inoue	D14/230
D546,323	S	*	7/2007	Van Buren	D14/230
D590,816	S	‡	4/2009	Chao	D14/230
RE47,282	E	‡	3/2019	Tompkin	H04M 1/02 D14/221
D845,934	S	*	4/2019	Snyker	D14/230
D845,935	S	*	4/2019	Snyker	D14/230
2006/0125711	A1	‡	6/2006	Wang	H01Q 3/04 343/882

OTHER PUBLICATIONS

Antop AV-183, online, no post date, URL: <http://www.antop.com/av-183>, retrieved May 16, 2019.‡

* cited by examiner

‡ imported from a related application

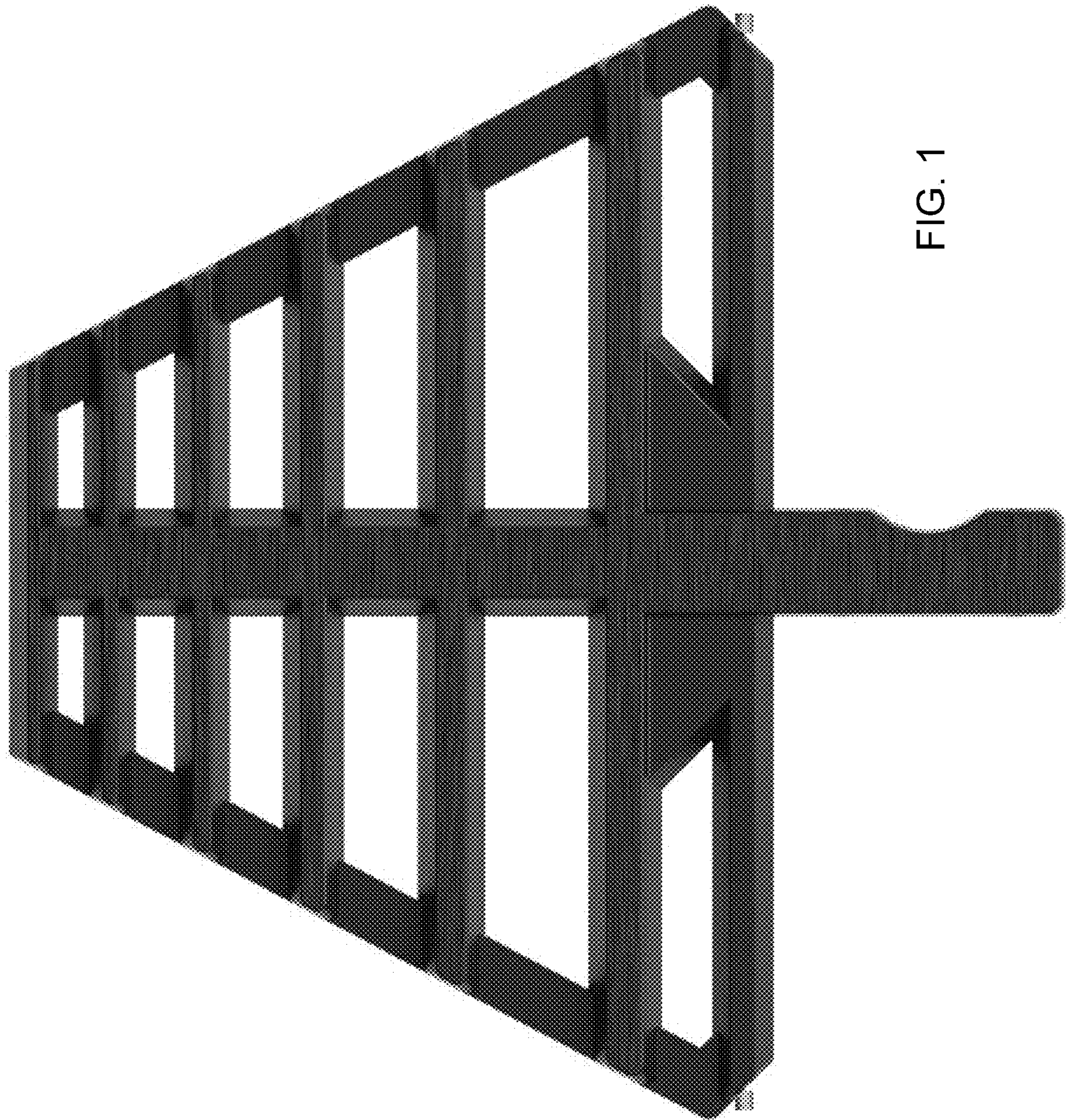


FIG. 1

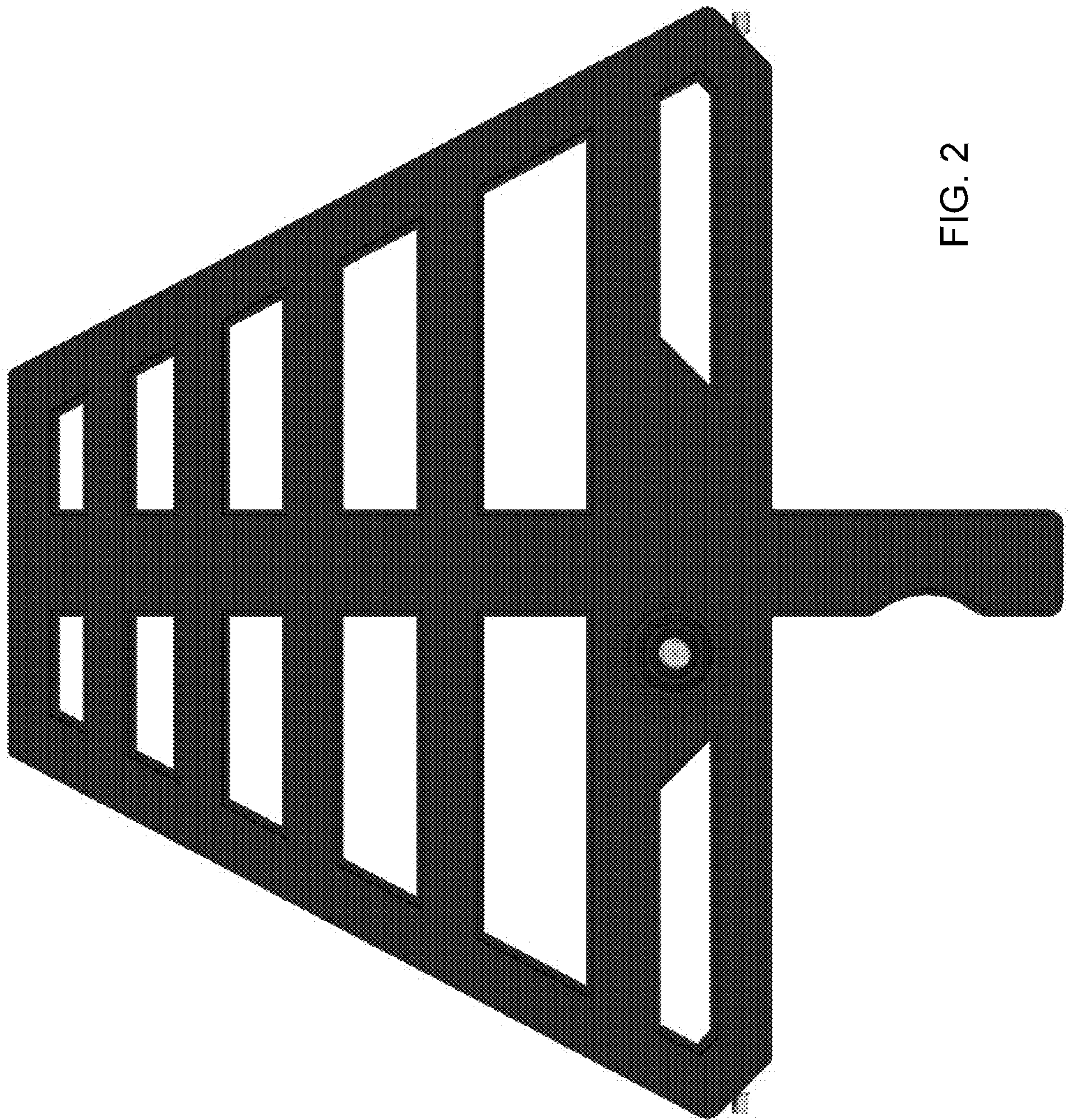


FIG. 2

FIG. 3



FIG. 4



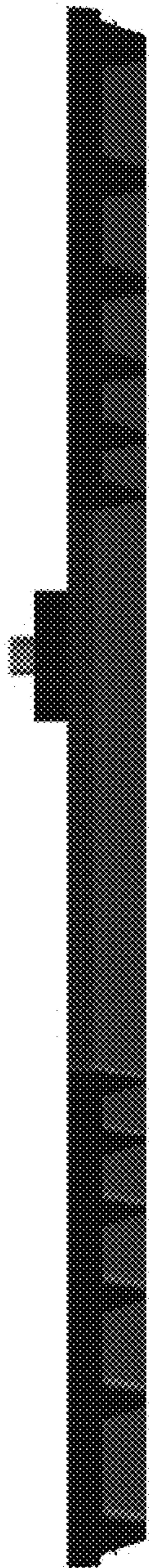


FIG. 5

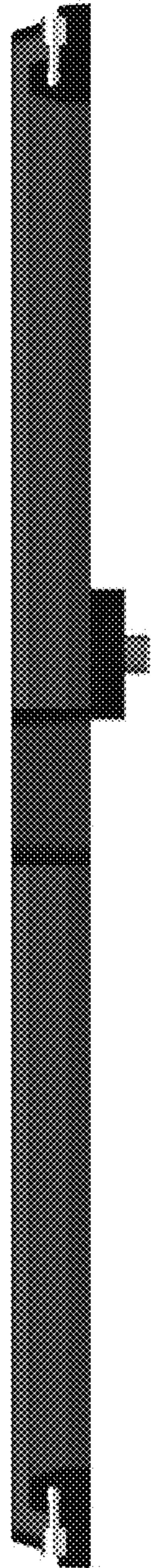


FIG. 6

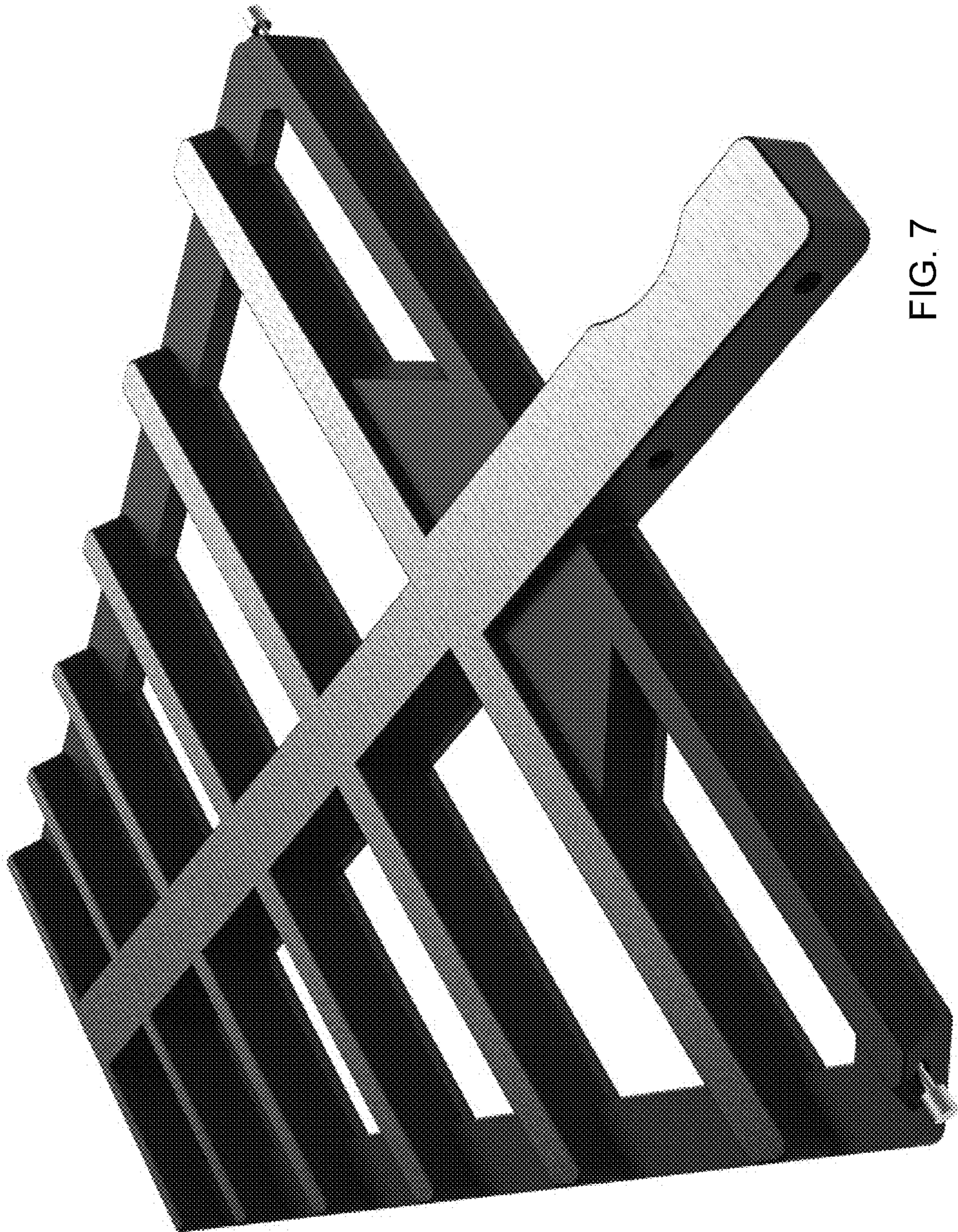


FIG. 7

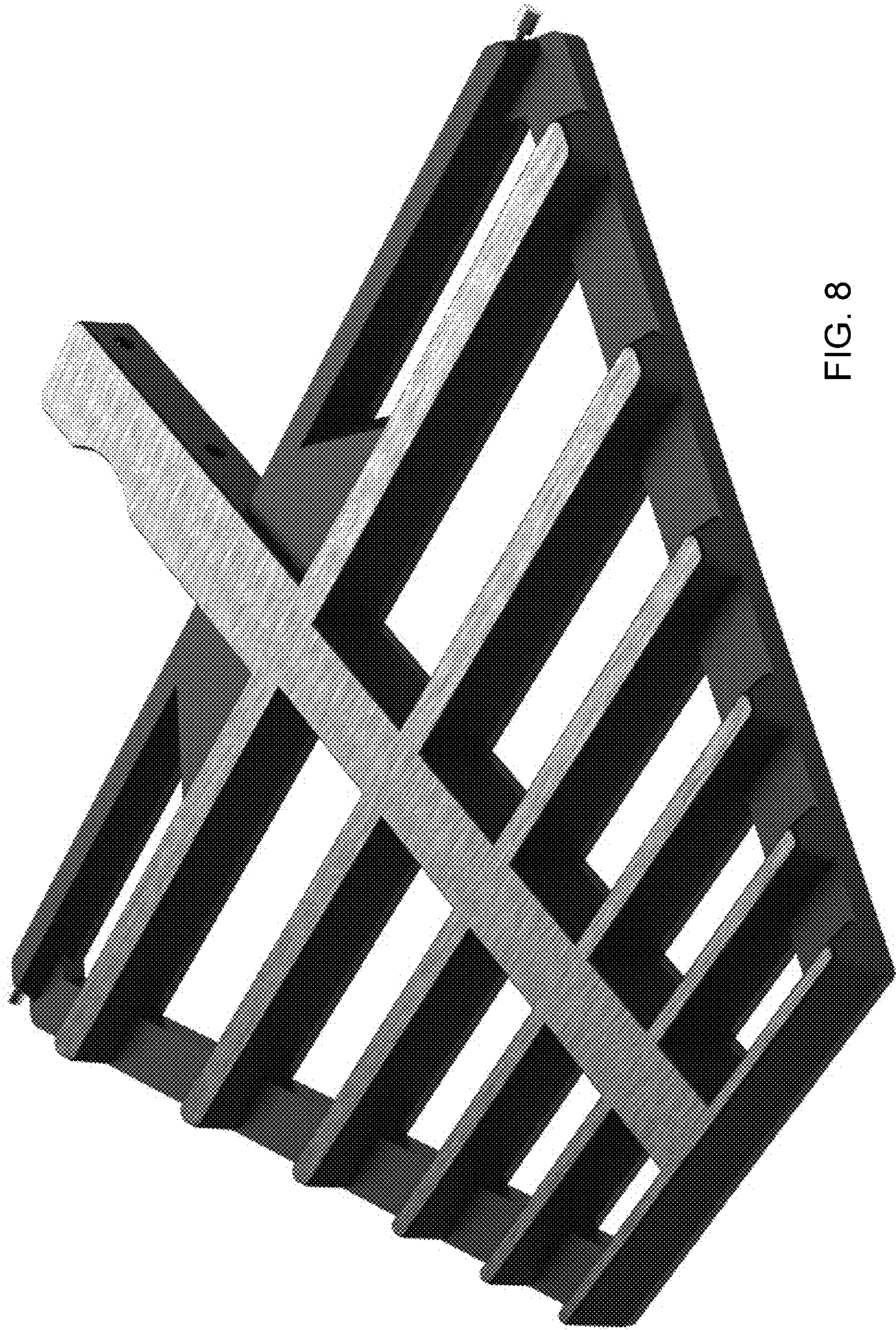


FIG. 8



FIG. 9