



US00D878340S

(12) **United States Design Patent** (10) **Patent No.:** **US D878,340 S**
Struhsaker et al. (45) **Date of Patent:** **** Mar. 17, 2020**

(54) **PIVOTING TOWER FOR ANTENNA**

(74) *Attorney, Agent, or Firm* — Osha Liang LLP

(71) Applicant: **TIONESTA, LLC**, San Antonio, TX (US)

(57) **CLAIM**

The ornamental design for a pivoting tower for antenna, as shown and described.

(72) Inventors: **Paul Struhsaker**, San Antonio, TX (US); **Rex Frodge**, San Antonio, TX (US)

DESCRIPTION

(73) Assignee: **CTH Lending Company, LLC**, Pittsburgh, PA (US)

FIG. 1 is a perspective view of a pivoting tower for antenna showing our design in a horizontal position;

(**) Term: **15 Years**

FIG. 2 is a front view of the pivoting tower for antenna of FIG. 1;

(21) Appl. No.: **29/626,334**

FIG. 3 is a back view of the pivoting tower for antenna of FIG. 1;

(22) Filed: **Nov. 16, 2017**

FIG. 4 is a top view of the pivoting tower for antenna of FIG. 1;

(51) **LOC (12) Cl.** **14-03**

FIG. 5 is a bottom view of the pivoting tower for antenna of FIG. 1;

(52) **U.S. Cl.**

USPC **D14/230**

FIG. 6 is a left side view of the pivoting tower for antenna of FIG. 1;

(58) **Field of Classification Search**

USPC D14/230–238, 203.6, 204, 216, 221, D14/238.1, 240, 242, 299, 343, 358, 509; D13/182

FIG. 7 is a right side view of the pivoting tower for antenna of FIG. 1;

CPC H01Q 7/00; H01Q 13/10; H01Q 9/285; H01Q 19/30; H01Q 19/12; H01Q 1/36; H01Q 1/38; H01Q 1/0475; H01Q 1/034; H05K 11/00; G05D 1/0234; G06K 19/07749

FIG. 8 is a perspective view of a pivoting tower for antenna showing our design in a vertical position;

See application file for complete search history.

FIG. 9 is a front view of the pivoting tower for antenna of FIG. 8;

(56) **References Cited**

U.S. PATENT DOCUMENTS

4,149,169 A * 4/1979 Weber H01Q 9/38 343/725

FIG. 10 is a back view of the pivoting tower for antenna of FIG. 8;

4,209,790 A * 6/1980 Newcomb H01Q 9/32 343/830

FIG. 11 is a top view of the pivoting tower for antenna of FIG. 8;

* cited by examiner

FIG. 12 is a bottom view of the pivoting tower for antenna of FIG. 8;

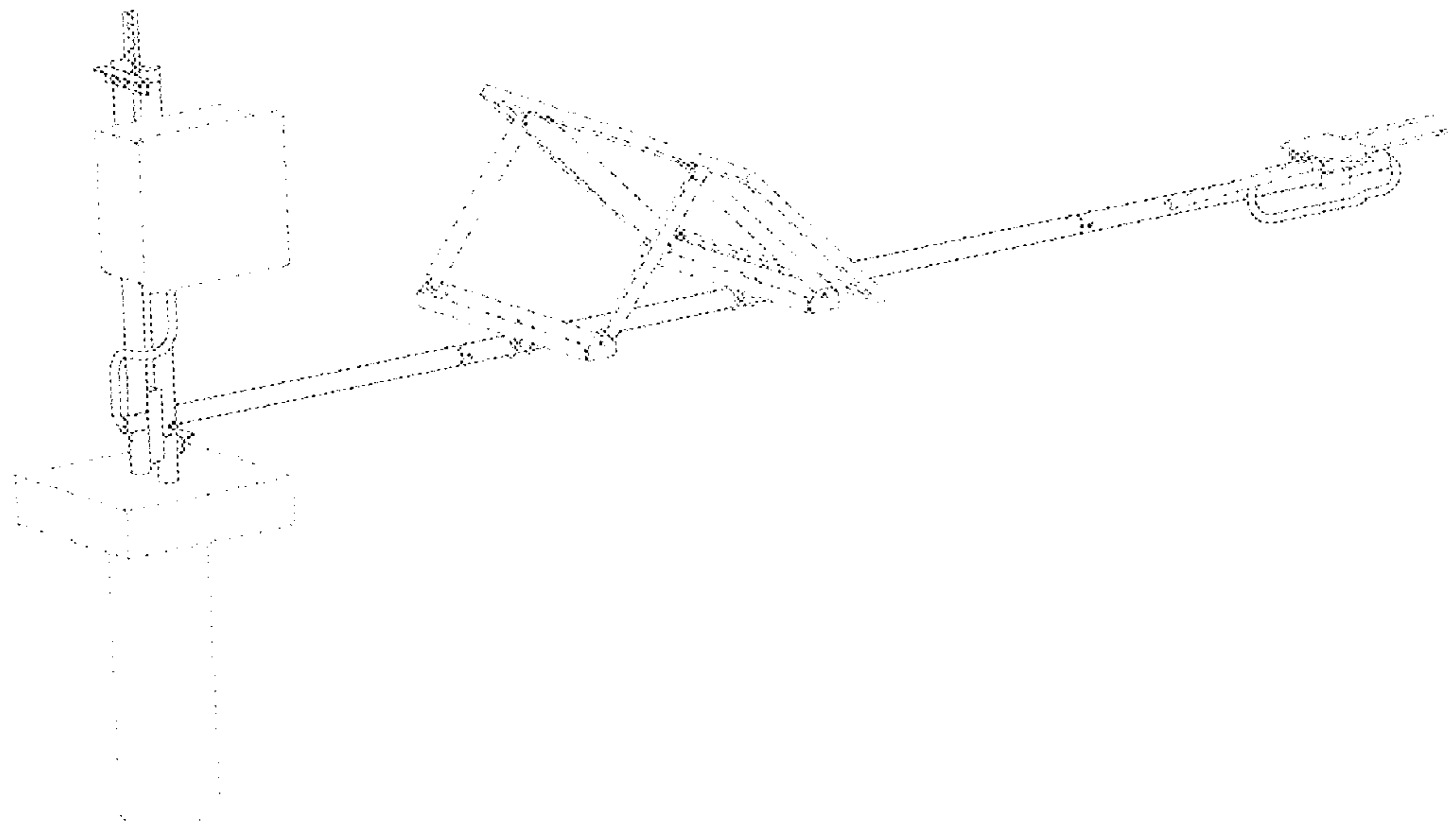
Primary Examiner — John Windmuller

FIG. 13 is a left side view of the pivoting tower for antenna of FIG. 8; and,

FIG. 14 is a right side view of the pivoting tower for antenna of FIG. 8.

The broken lines in the figures depict portions of the pivoting tower for antenna that form no part of the claimed design.

1 Claim, 14 Drawing Sheets



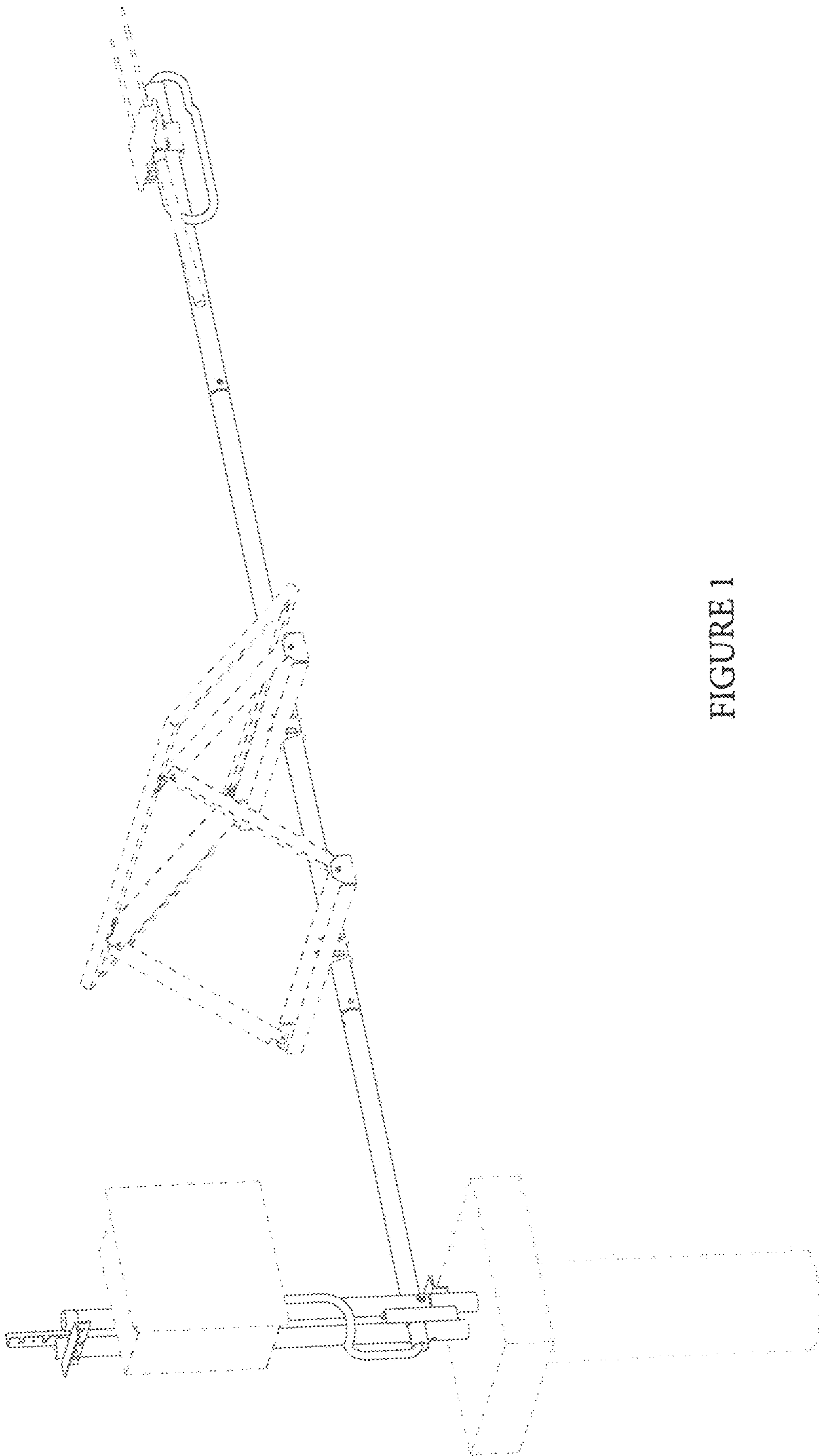


FIGURE 1

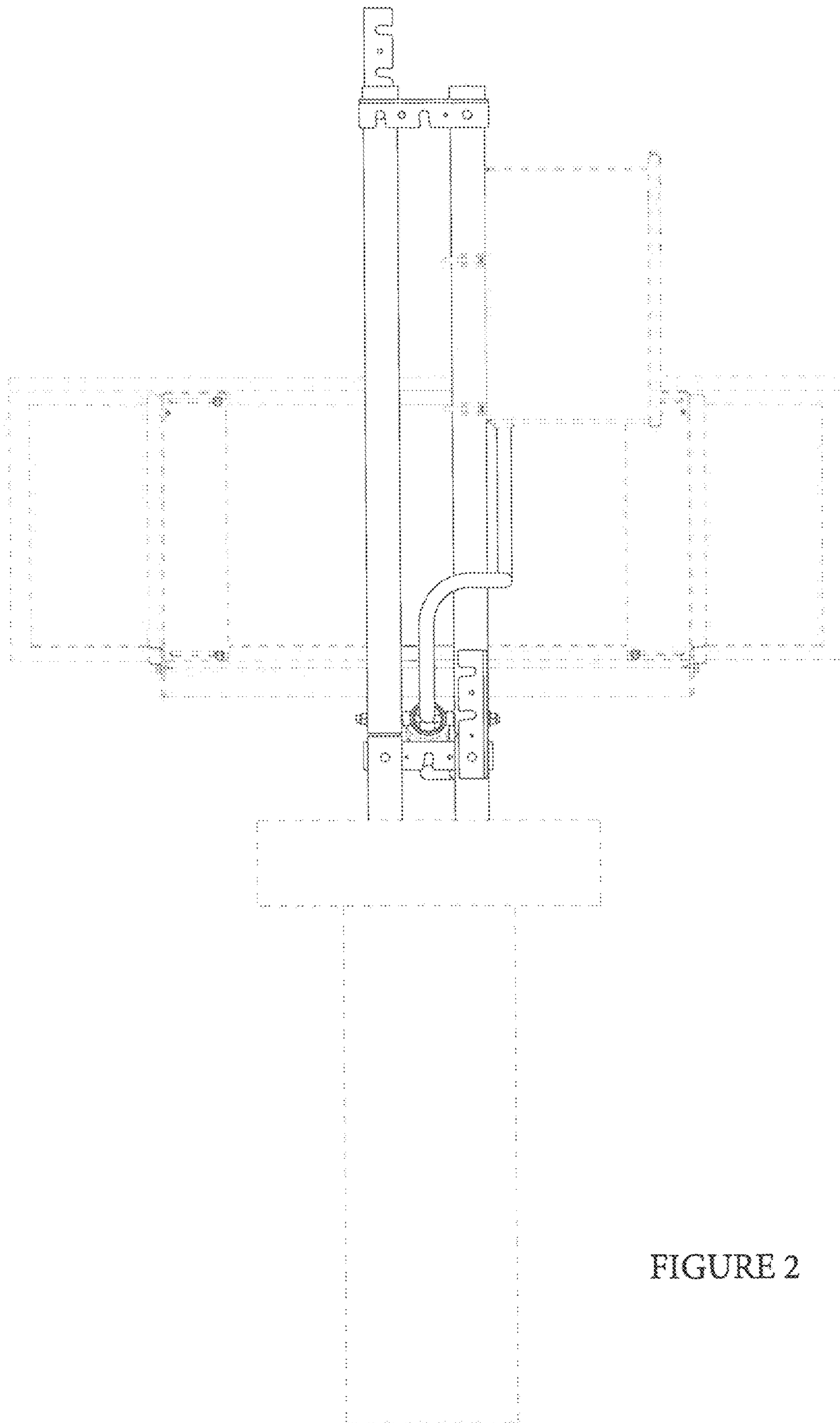


FIGURE 2

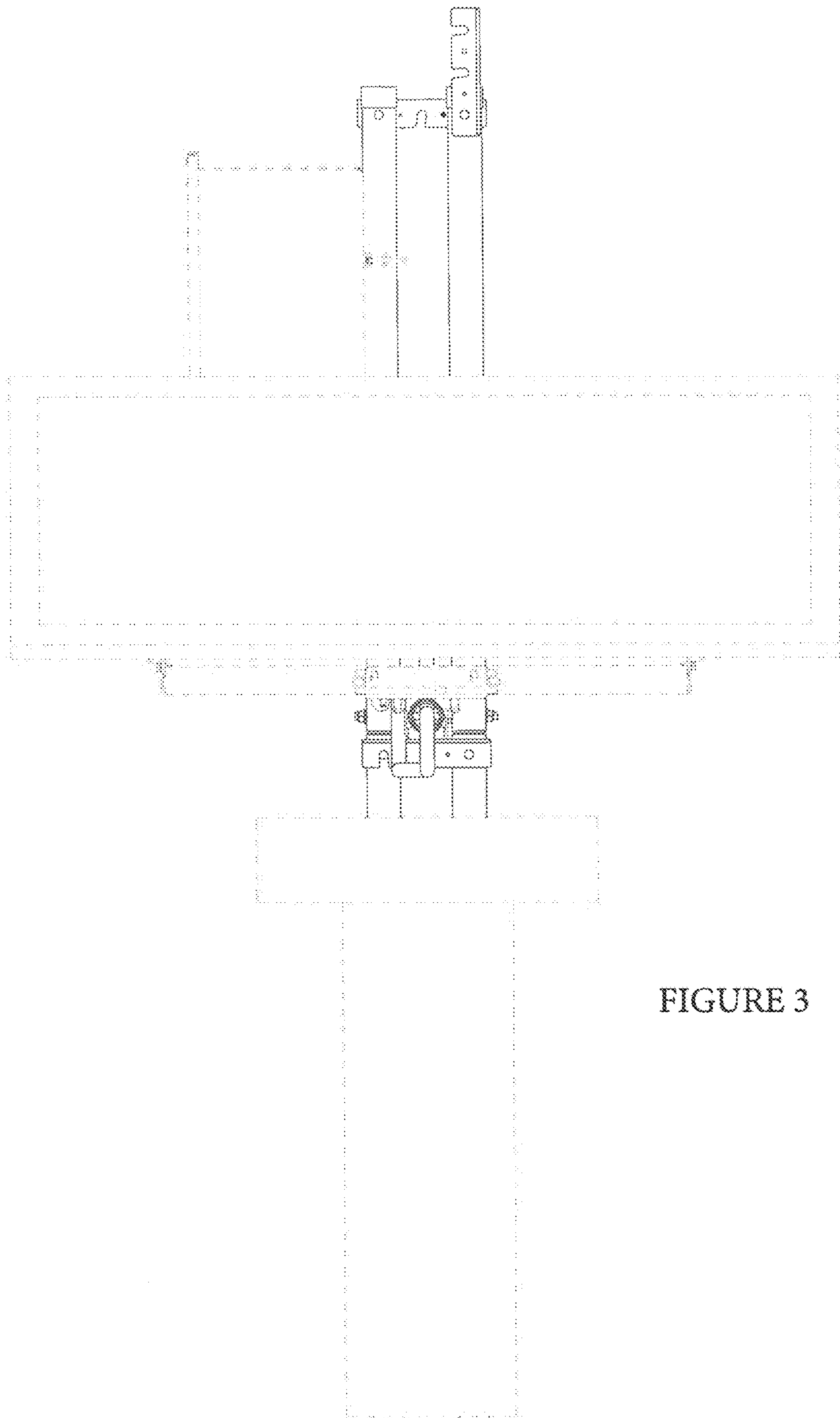


FIGURE 3

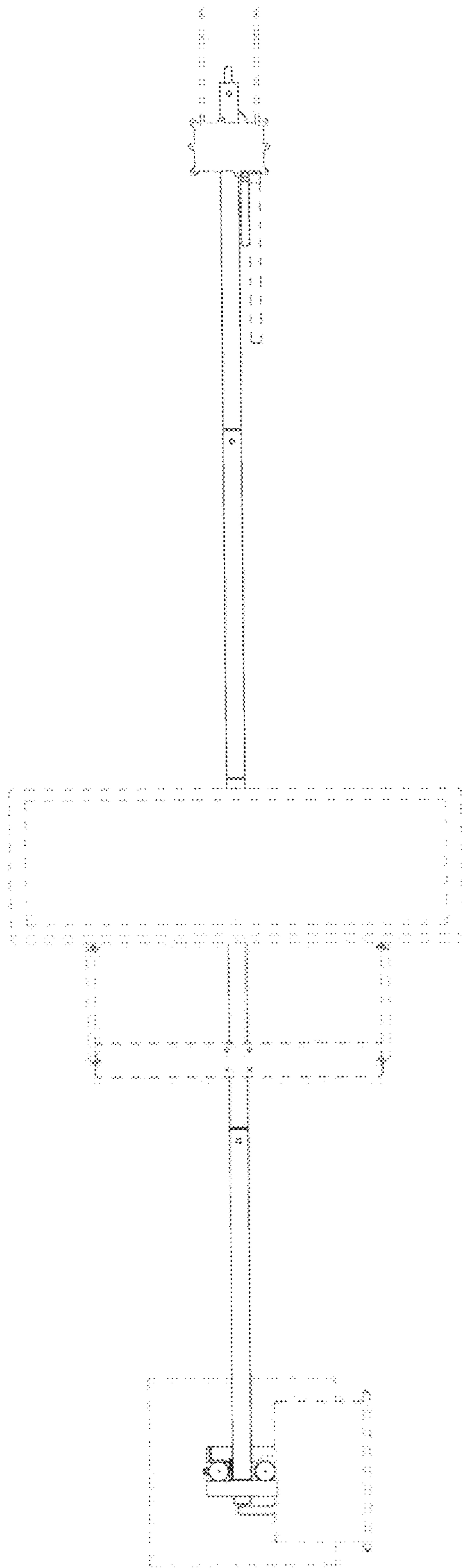


FIGURE 4

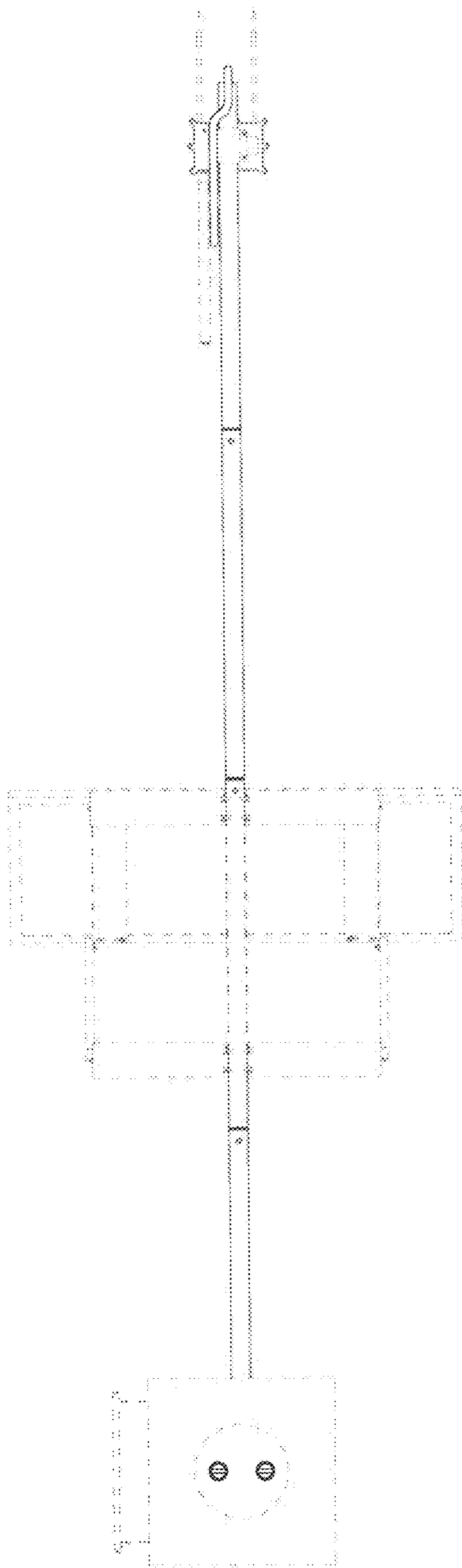


FIGURE 5

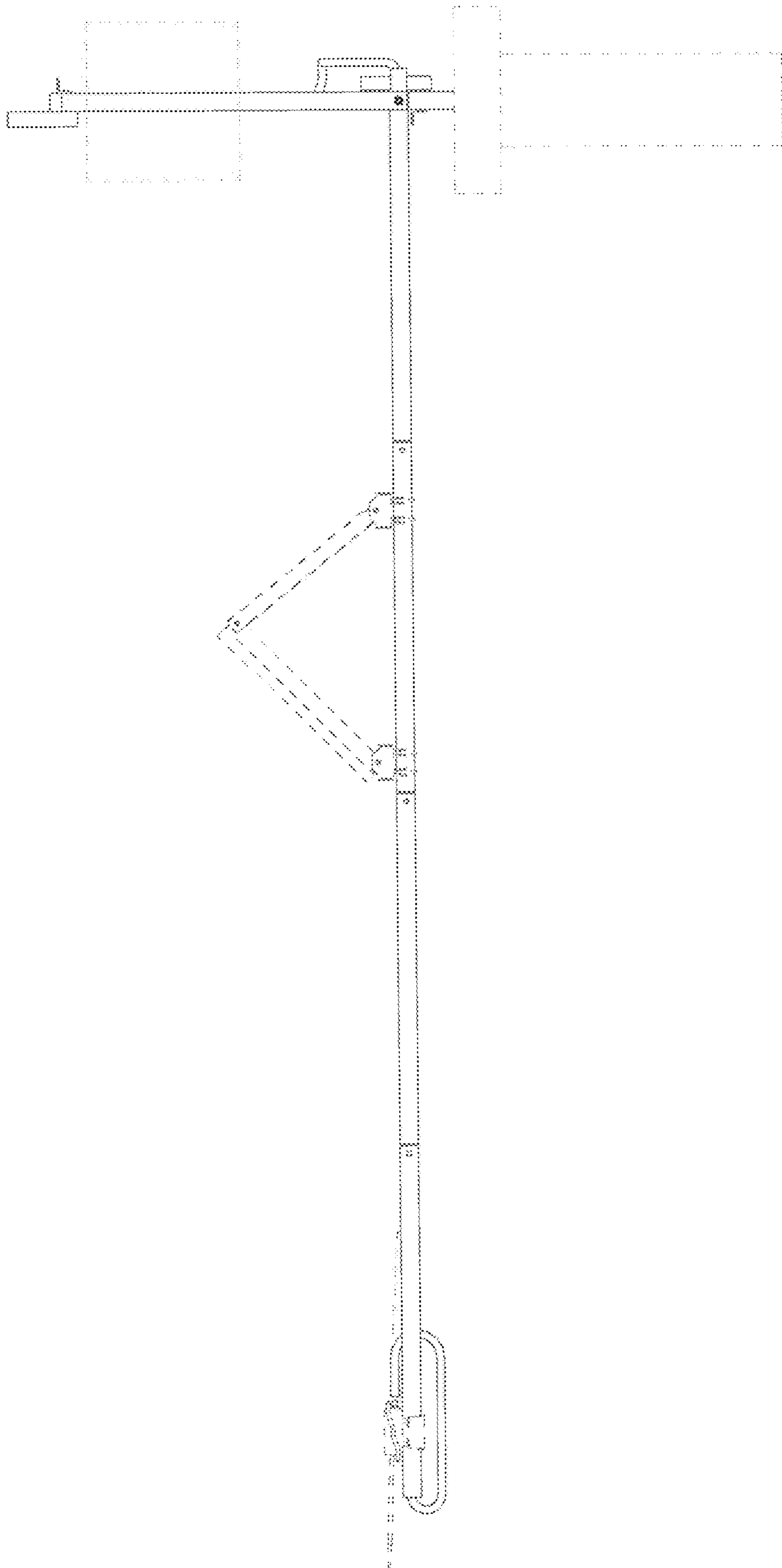


FIGURE 6

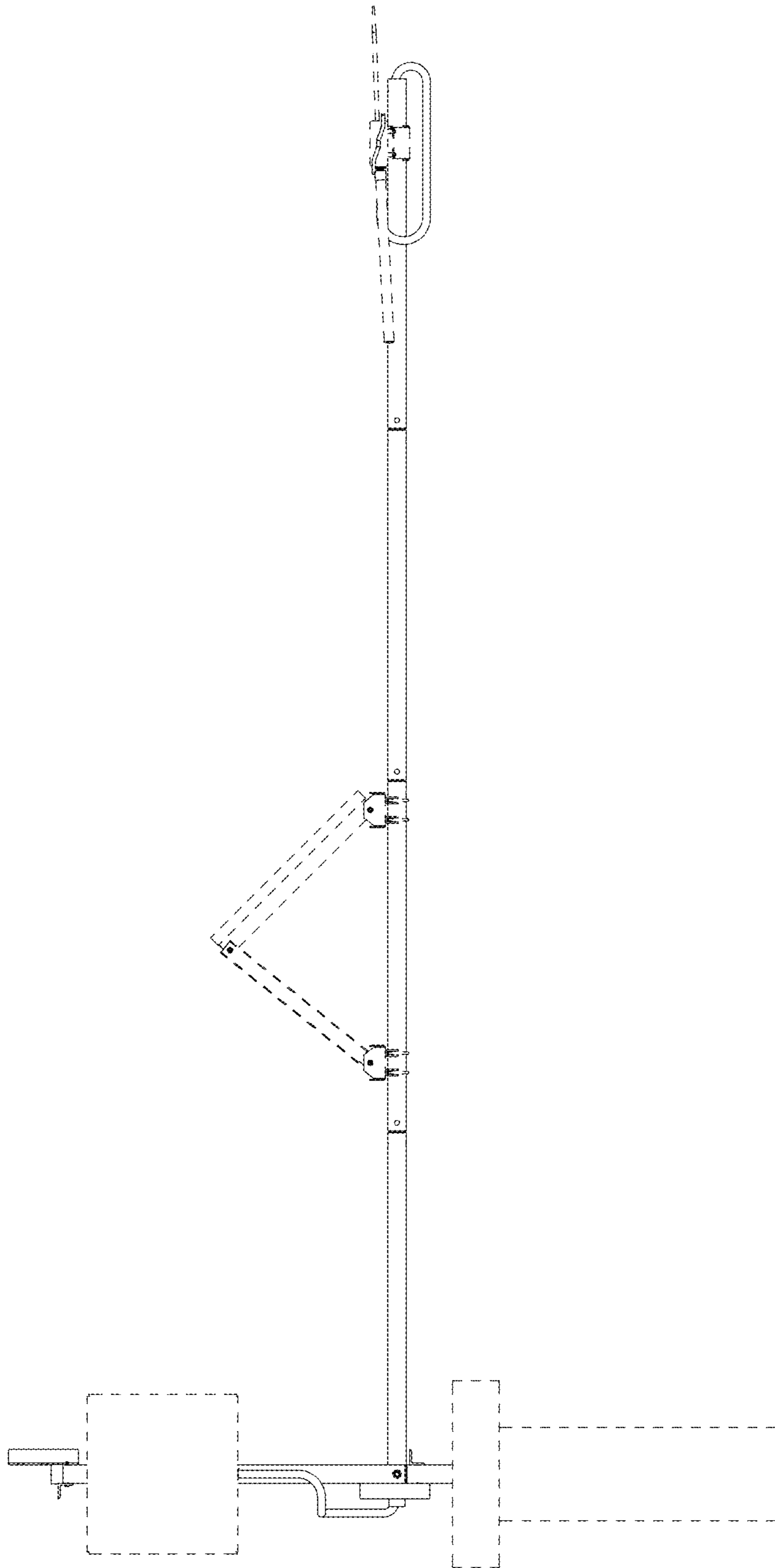


FIGURE 7

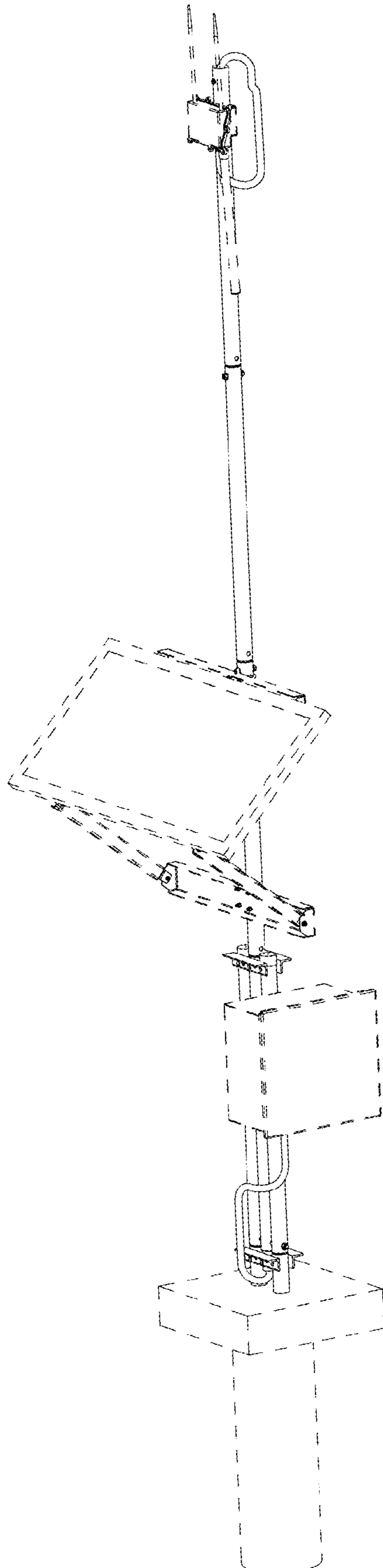


FIGURE 8

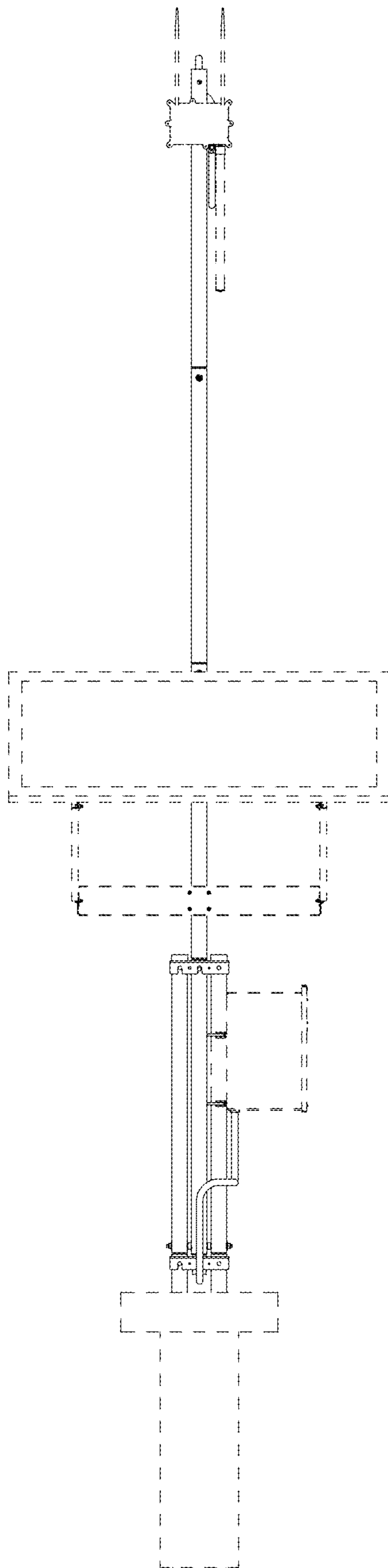


FIGURE 9

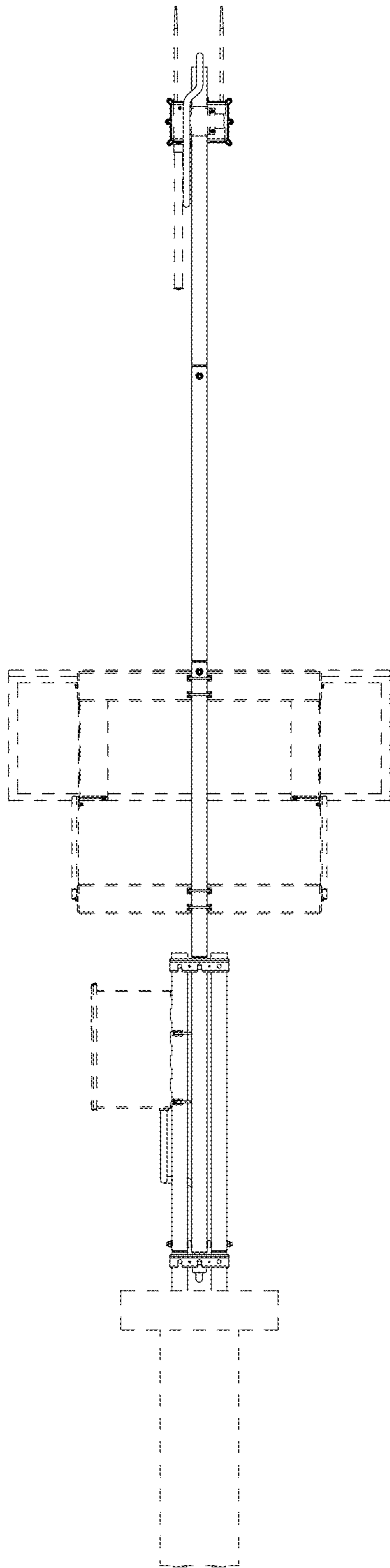


FIGURE 10

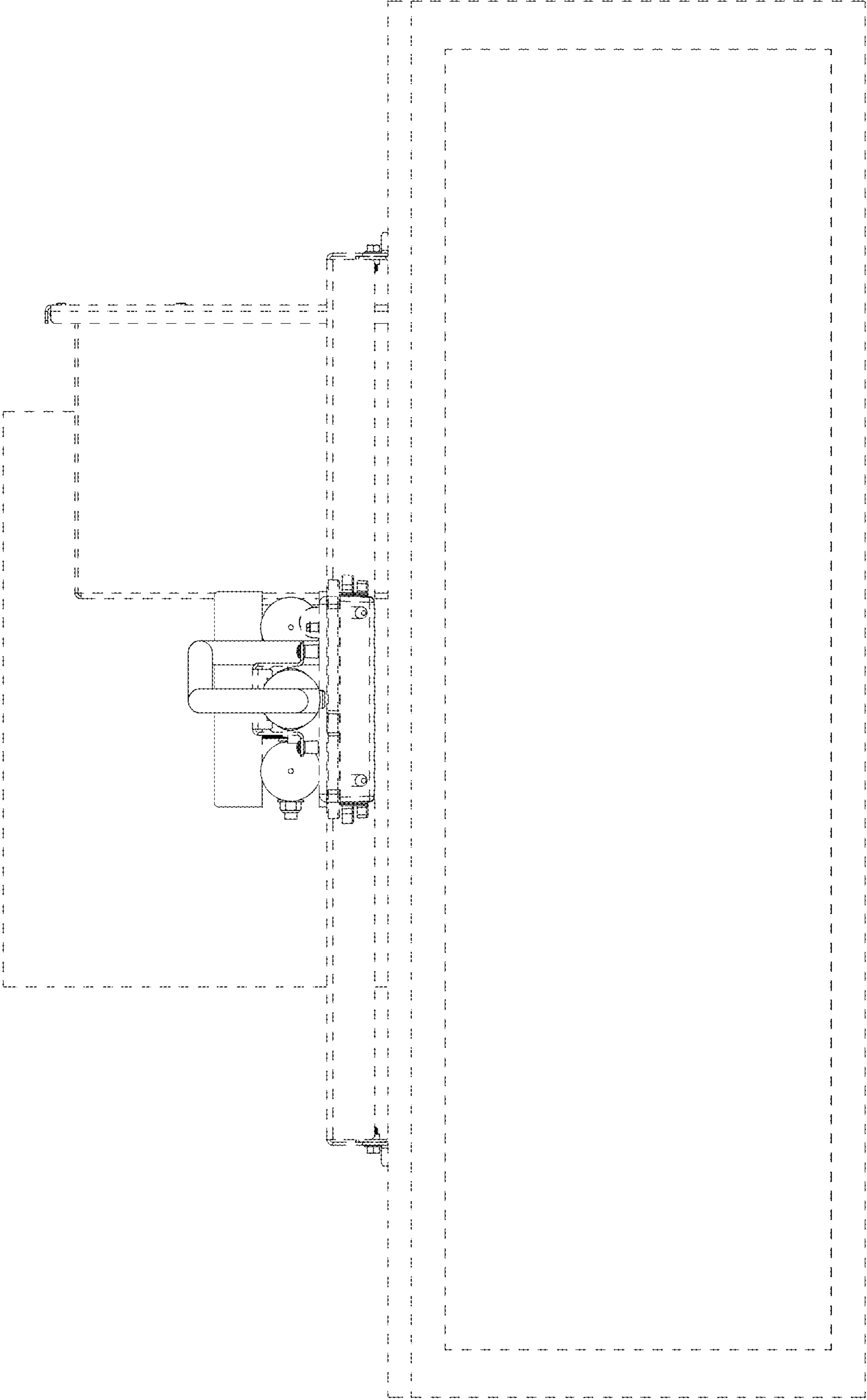


FIGURE 11

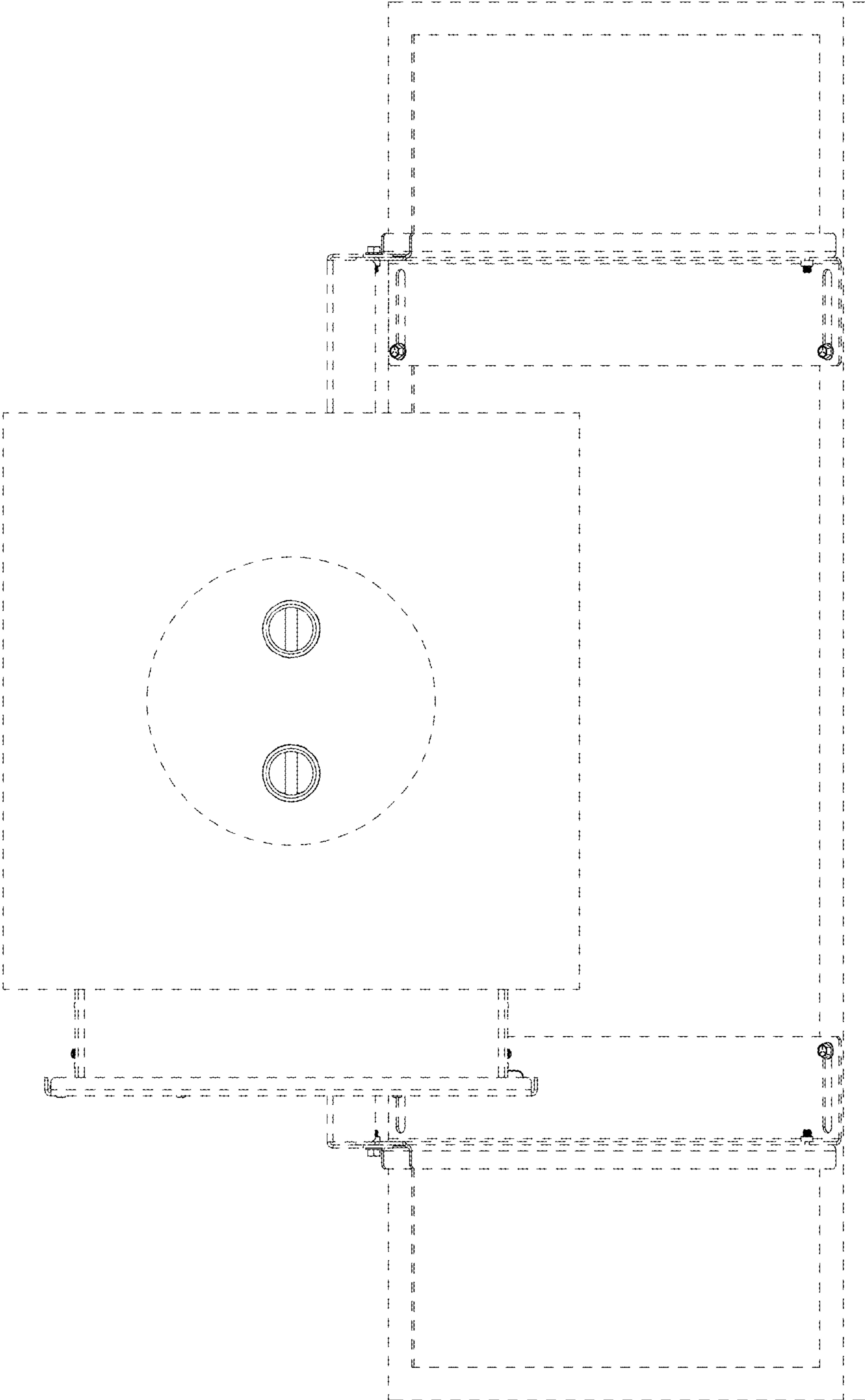


FIGURE 12

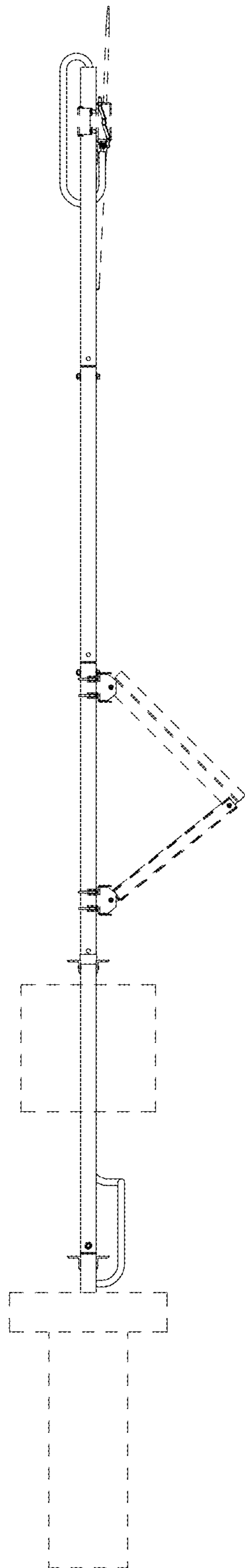


FIGURE 13

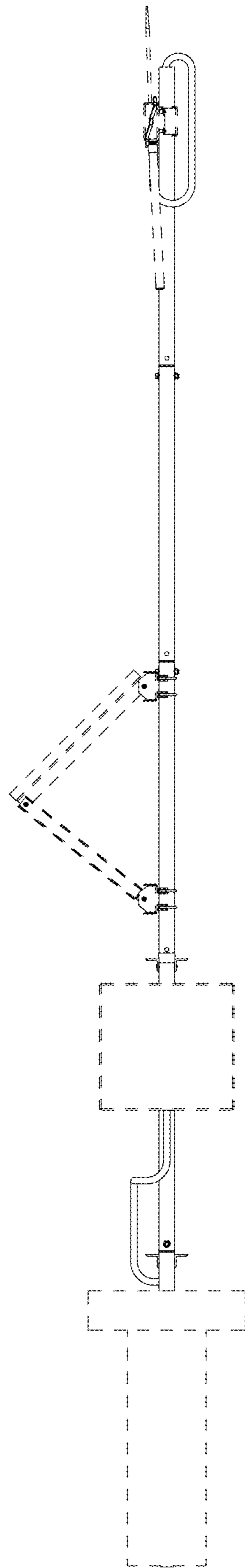


FIGURE 14