



US00D878337S

(12) **United States Design Patent**
Yang

(10) **Patent No.:** **US D878,337 S**

(45) **Date of Patent:** **** Mar. 17, 2020**

(54) **EARPHONE**

(71) Applicant: **Shenzhen Ginto E-Commerce Co., Limited**, Shenzhen (CN)

(72) Inventor: **Yong Yang**, Shenzhen (CN)

(73) Assignee: **SHENZHEN GINTO E-COMMERCE CO., LIMITED**, Shenzhen (CN)

(**) Term: **15 Years**

(21) Appl. No.: **29/697,307**

(22) Filed: **Jul. 8, 2019**

(51) **LOC (12) Cl.** **14-01**

(52) **U.S. Cl.**
USPC **D14/223**; D14/205

(58) **Field of Classification Search**
USPC D14/223, 205; D24/174; 128/864, 865, 128/866; 181/129, 130, 135; 379/430, 379/431; 381/380, 381, 322, 330, 324, 381/323; 455/90.3, 575.1, 569.1
CPC H04R 1/10; H04R 25/00; H04R 1/1016; H04R 1/1066; H04R 5/033; H04R 5/0335; H04R 1/1091; H04R 1/1058; H04R 1/105; H04R 1/1083
See application file for complete search history.

(56) **References Cited**

U.S. PATENT DOCUMENTS

- 4,972,492 A * 11/1990 Tanaka H04R 1/1016
181/130
- D316,550 S * 4/1991 Sogabe D14/168
- D340,932 S * 11/1993 Yan D14/249
- 6,574,345 B1 * 6/2003 Huang H04R 1/1016
379/430
- D479,834 S * 9/2003 Salazar D14/205
- D481,377 S * 10/2003 Eguchi D14/223
- D499,397 S * 12/2004 Hlas D14/223
- D512,049 S * 11/2005 Yang D14/205
- D533,868 S * 12/2006 Koizumi D14/223

- D554,109 S * 10/2007 Ledbetter D14/223
- D555,152 S * 11/2007 Wang D14/223
- D556,741 S * 12/2007 Yeo D14/205
- D557,689 S * 12/2007 Huang D14/223

(Continued)

FOREIGN PATENT DOCUMENTS

- CN 305311823 * 8/2019
- CN 305381092 * 10/2019

(Continued)

OTHER PUBLICATIONS

“Running Stereo Charging in-Ear Ultra Small Headphones Headphones Adapter 1Pc Sports Single Ear Handsfree Call Music Phone Wireless BT Earphone—Rose Gold Single with Charge Case 19Kenbeton”, Retrieved Nov. 25, 2019]. Retrieved from Internet, <https://www.amazon.co.uk/Charging-Headphones-Handsfree-Wireless-Earphone>.

(Continued)

Primary Examiner — Paula Allen Greene

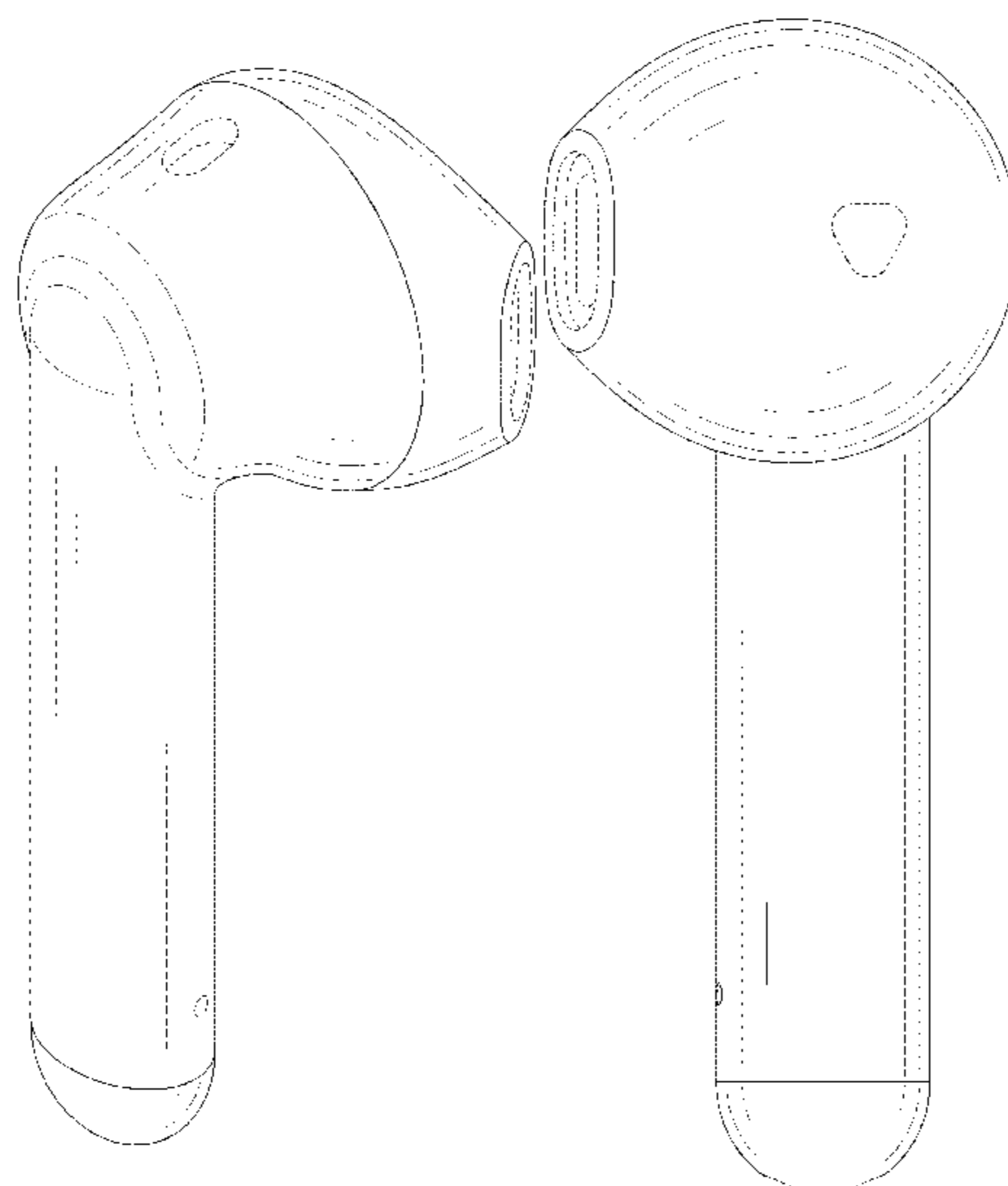
(57) **CLAIM**

The ornamental design for an earphone, as shown and described.

DESCRIPTION

FIG. 1 is a perspective view of the earphone showing my new design;
FIG. 2 is another perspective view thereof;
FIG. 3 is a front elevational view thereof;
FIG. 4 is a rear elevational view thereof;
FIG. 5 is a left side elevational view thereof;
FIG. 6 is a right side elevational view thereof;
FIG. 7 is a top plan view thereof; and,
FIG. 8 is a bottom plan view thereof.
The broken lines illustrate portions of the earphone that form no part of the claimed design.

1 Claim, 8 Drawing Sheets



(56)

References Cited

U.S. PATENT DOCUMENTS

D572,242 S * 7/2008 Yang D14/205
 D572,247 S * 7/2008 Andre D14/315
 D573,977 S * 7/2008 Ledbetter D14/205
 D575,269 S * 8/2008 Ledbetter D14/205
 D578,518 S * 10/2008 Ewert D14/223
 D587,685 S * 3/2009 Densho D14/206
 D589,493 S * 3/2009 Densho D14/206
 D589,498 S * 3/2009 Komiyama D14/223
 D590,371 S * 4/2009 Leinvuo D14/205
 D593,537 S * 6/2009 Arimoto D14/205
 D641,738 S * 7/2011 Perez D14/223
 D652,823 S * 1/2012 Chen D14/223
 D657,780 S * 4/2012 Dahlberg D14/223
 D660,290 S * 5/2012 Weedon D14/223
 D660,292 S * 5/2012 Rautiainen D14/223
 D662,493 S * 6/2012 Chen D14/223
 D666,581 S * 9/2012 Perez D14/223
 D671,531 S * 11/2012 Kim D14/223
 D681,015 S * 4/2013 Akana H04R 1/1016
 D695,721 S * 12/2013 Thompson D14/223
 D707,206 S * 6/2014 Akana H04R 1/10
 D711,857 S * 8/2014 Burgett D14/223
 D718,284 S * 11/2014 Shibusawa D14/223
 D730,876 S * 6/2015 Dahlberg D14/223
 D732,008 S * 6/2015 Akana H04R 1/10
 D733,101 S * 6/2015 Pi D14/223
 D733,689 S * 7/2015 Narita D14/223
 D738,864 S * 9/2015 Lee D14/223
 D741,287 S * 10/2015 Harata D14/205
 D757,682 S * 5/2016 Perez D14/205
 D760,202 S * 6/2016 Hsieh D14/223
 D770,412 S * 11/2016 Son D14/205
 D784,962 S * 4/2017 Yang D14/223
 D801,314 S * 10/2017 Akana D14/223
 D820,809 S * 6/2018 Akana D14/205

D822,009 S * 7/2018 Matoba D14/223
 D830,336 S * 10/2018 Cai D14/205
 D832,824 S * 11/2018 Kim D14/223
 D847,125 S * 4/2019 Akana D14/223
 D861,647 S * 10/2019 Chen D14/223
 D869,445 S * 12/2019 Hu D14/223
 2012/0237074 A1 * 9/2012 Aase H04R 1/1016
 381/380
 2012/0275635 A1 * 11/2012 Chen H04R 1/1075
 381/380
 2013/0004011 A1 * 1/2013 Hayashida H04R 1/1016
 381/380
 2013/0343585 A1 * 12/2013 Bennett H04R 25/554
 381/315
 2013/0343595 A1 * 12/2013 Zorkendorfer H04R 1/10
 381/380
 2015/0382100 A1 * 12/2015 Azmi H04R 1/1091
 381/380
 2017/0164087 A1 * 6/2017 Kurtz H04R 1/1091

FOREIGN PATENT DOCUMENTS

CN 305498502 * 12/2019
 KR 301020081.0000 * 8/2019

OTHER PUBLICATIONS

“Newest Bluetooth Earphone Stereo Wireless Headphones Running Sport Bass Headset With Mic for Iphone Xiaomi Huawei Mobile Phone”, Retrieved Nov. 25, 2019]. Retrieved from the Internet, https://www.aliexpress.com/item/32957888295.html?spm=a2g0o.productlist.0.0.69993be0yquVI9&algo_pvid=a5d89971-7af8-491c-8e3f-7009a03d8661&algo_expid=a5d89971-7af8-491c-8e3f-
 “i7s tws Colour drawing Bluetooth Earphone Wireless Headset With Mic Gaming Wireless Headphones for Apple With Charging pods”, Retrieved Nov. 25, 2019]. Retrieved from Internet, https://www.aliexpress.com/item/4000005020700.html?spm=a2g0o.productlist.0.0.56c611783Pc0dW&algo_pvid=821e.

* cited by examiner

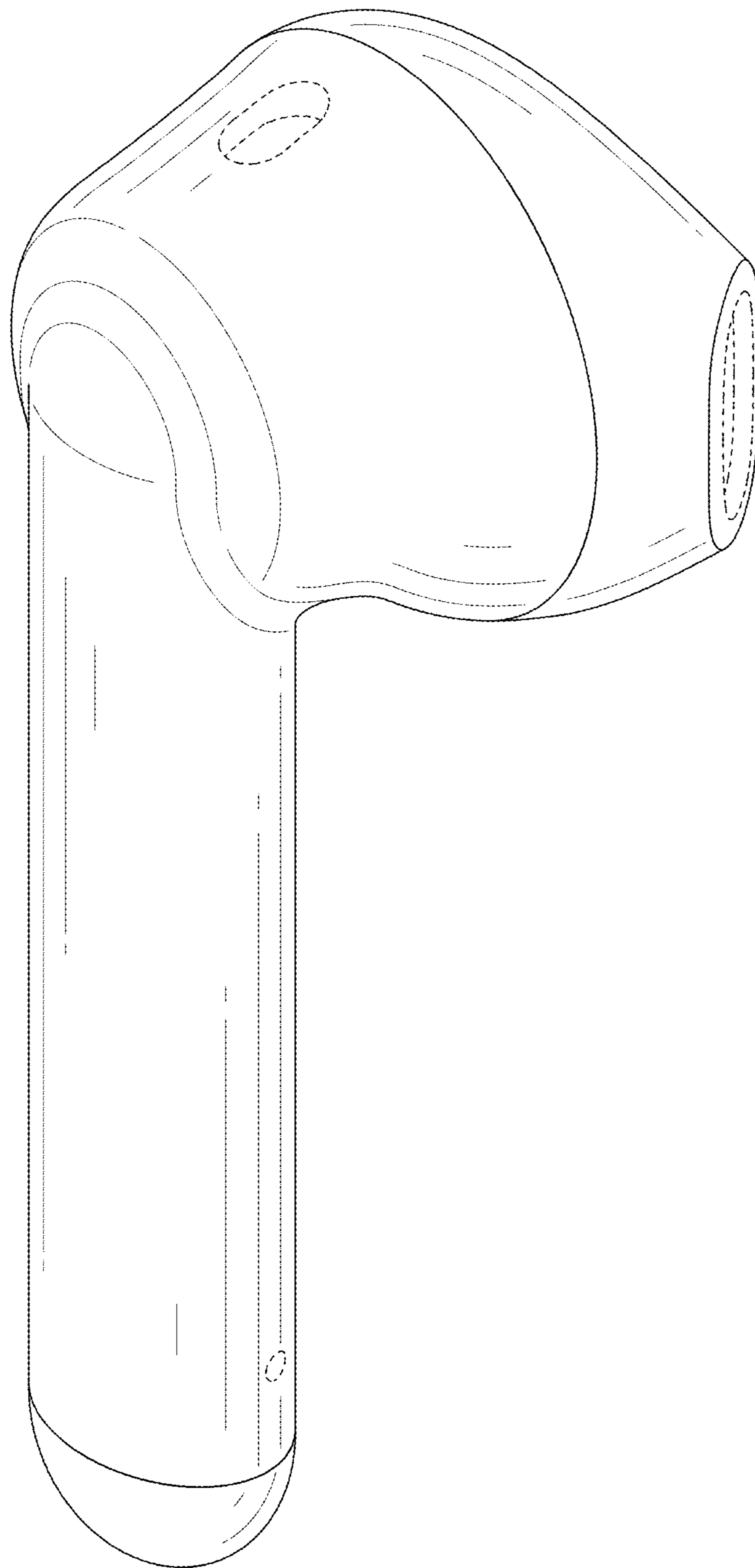


FIG. 1

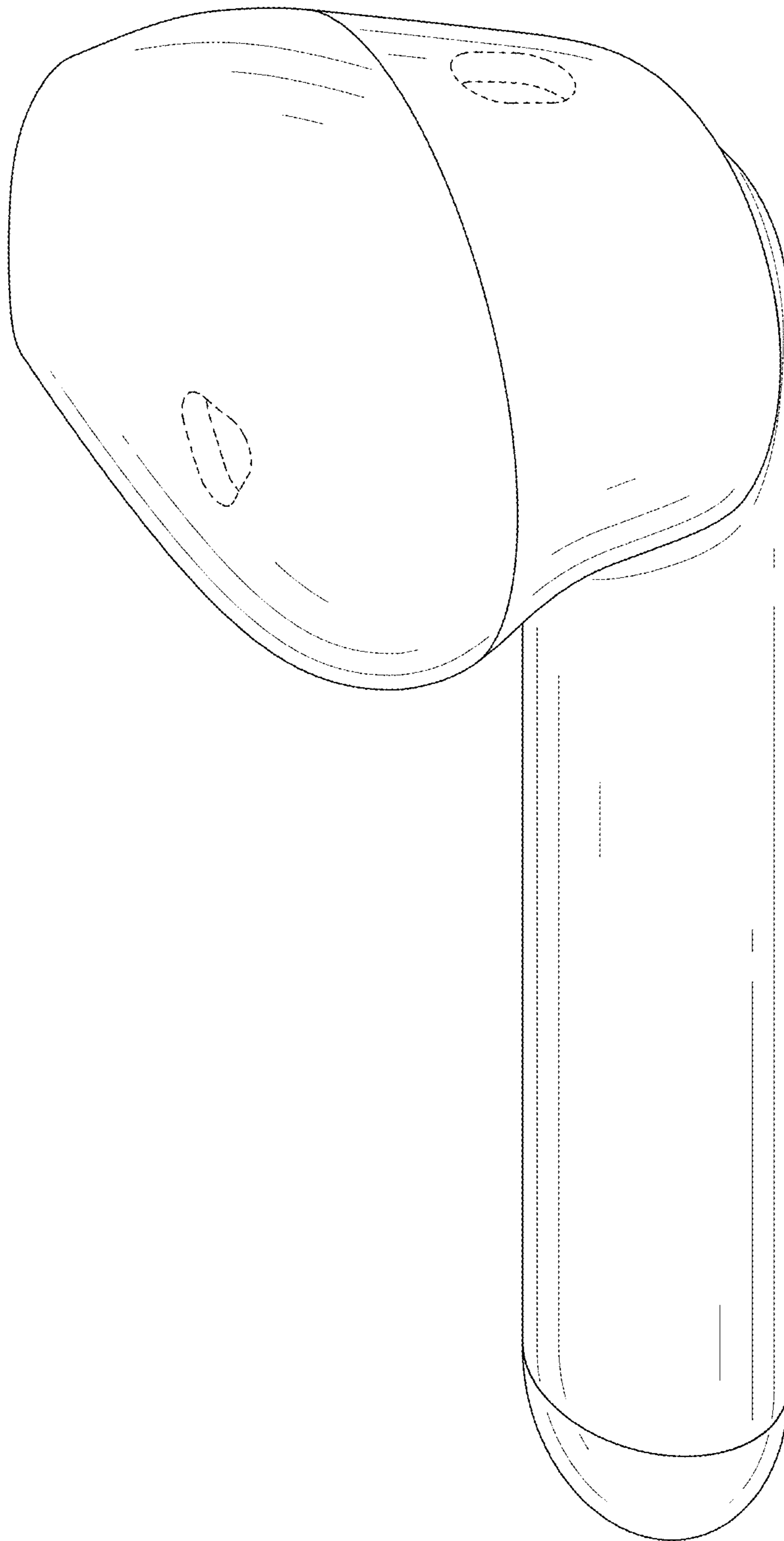


FIG. 2

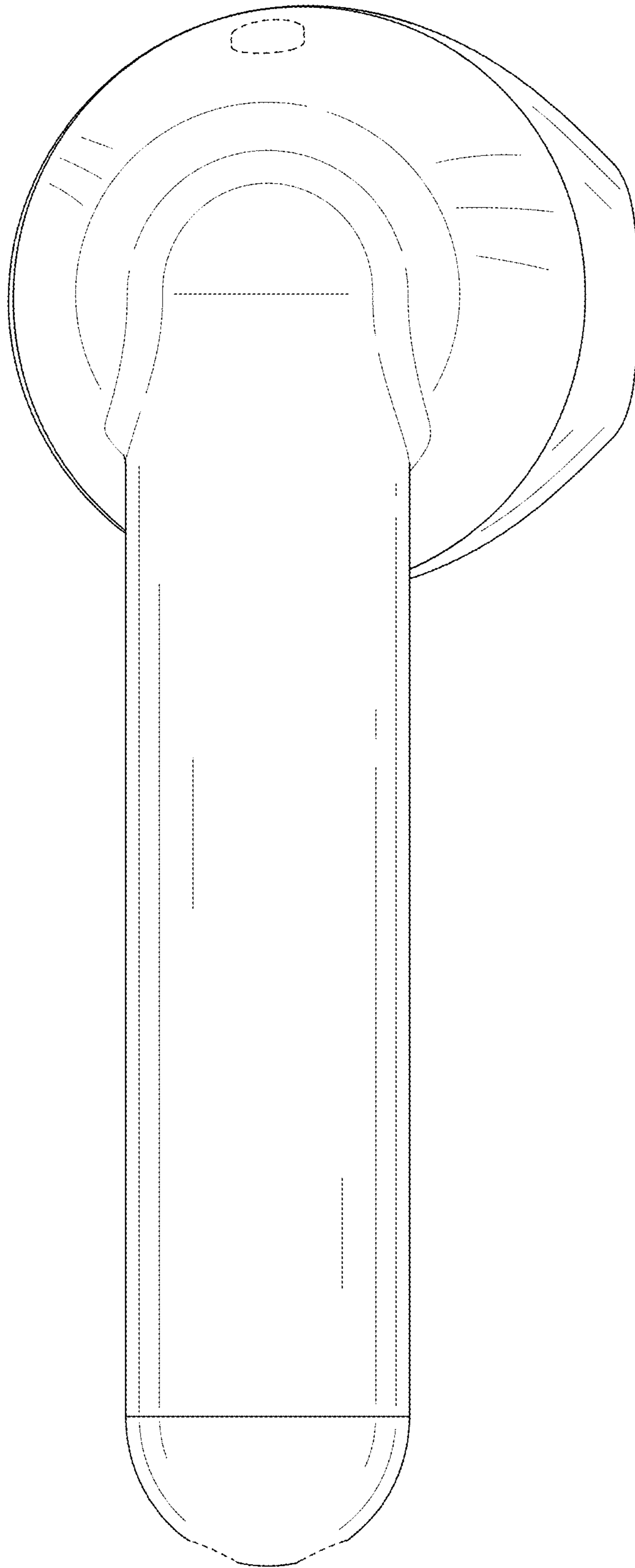


FIG. 3

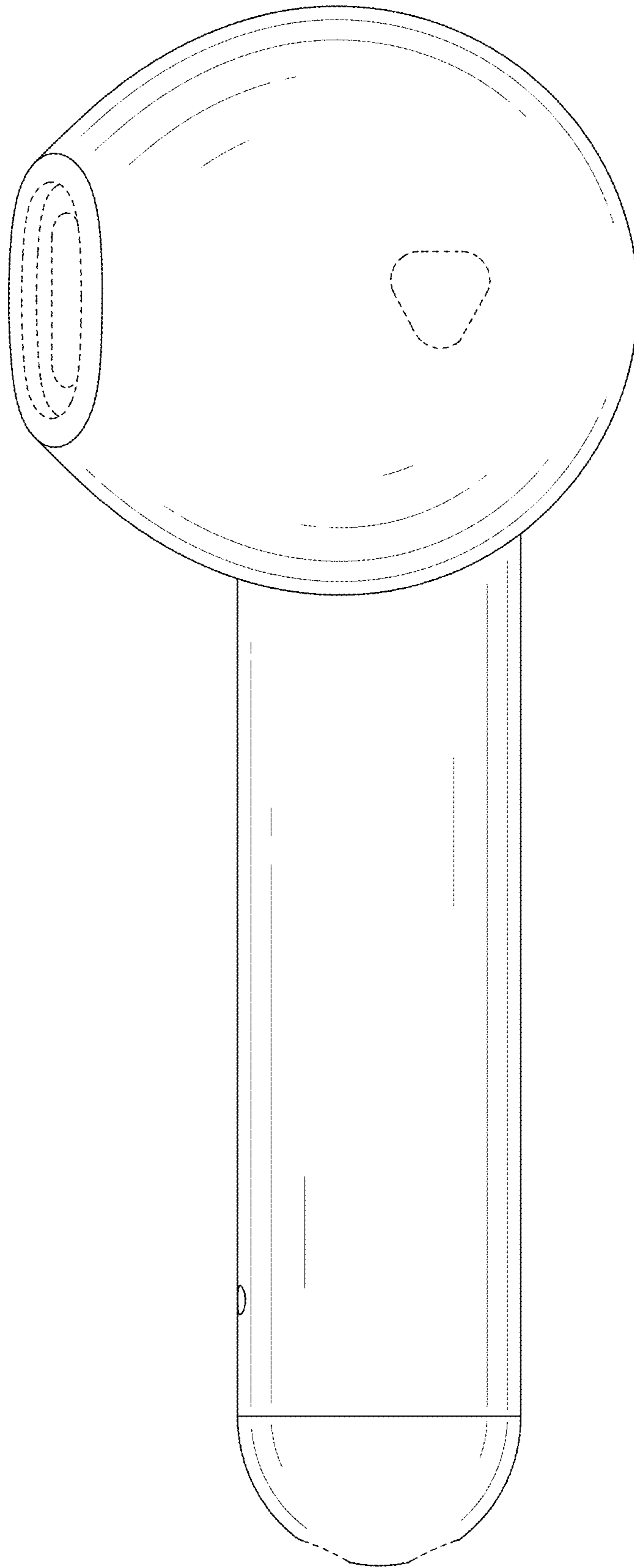


FIG. 4

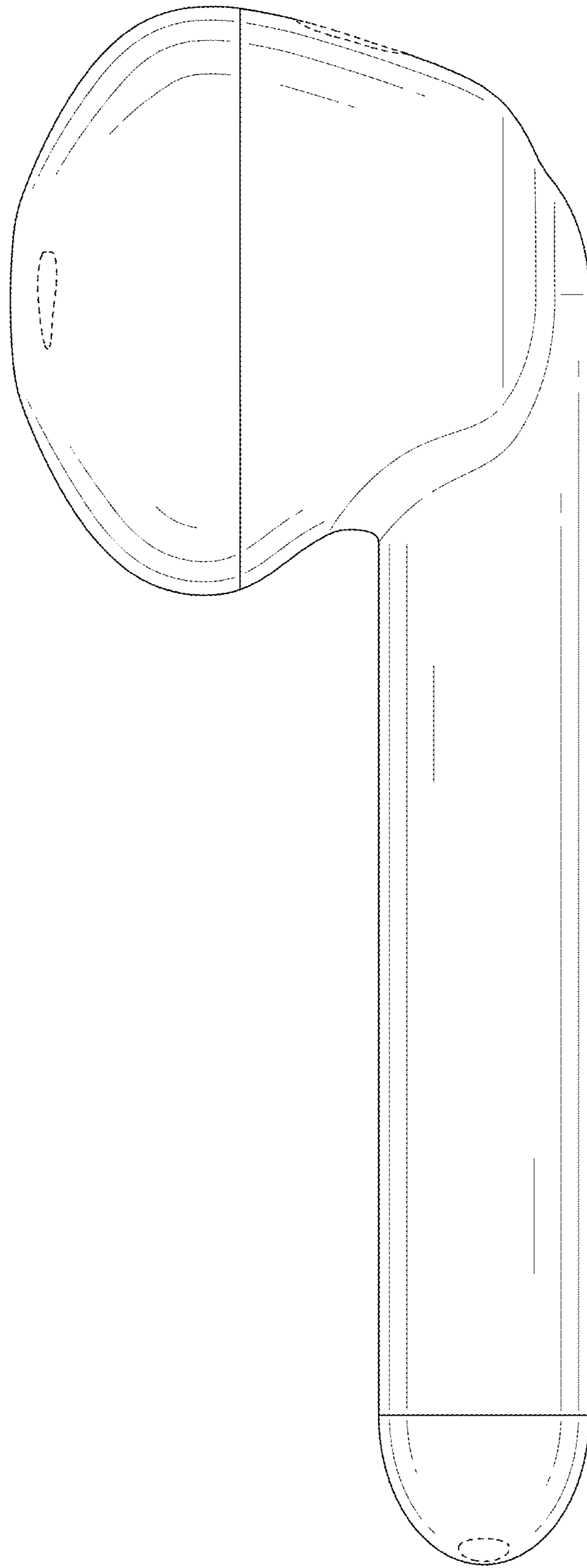


FIG. 5

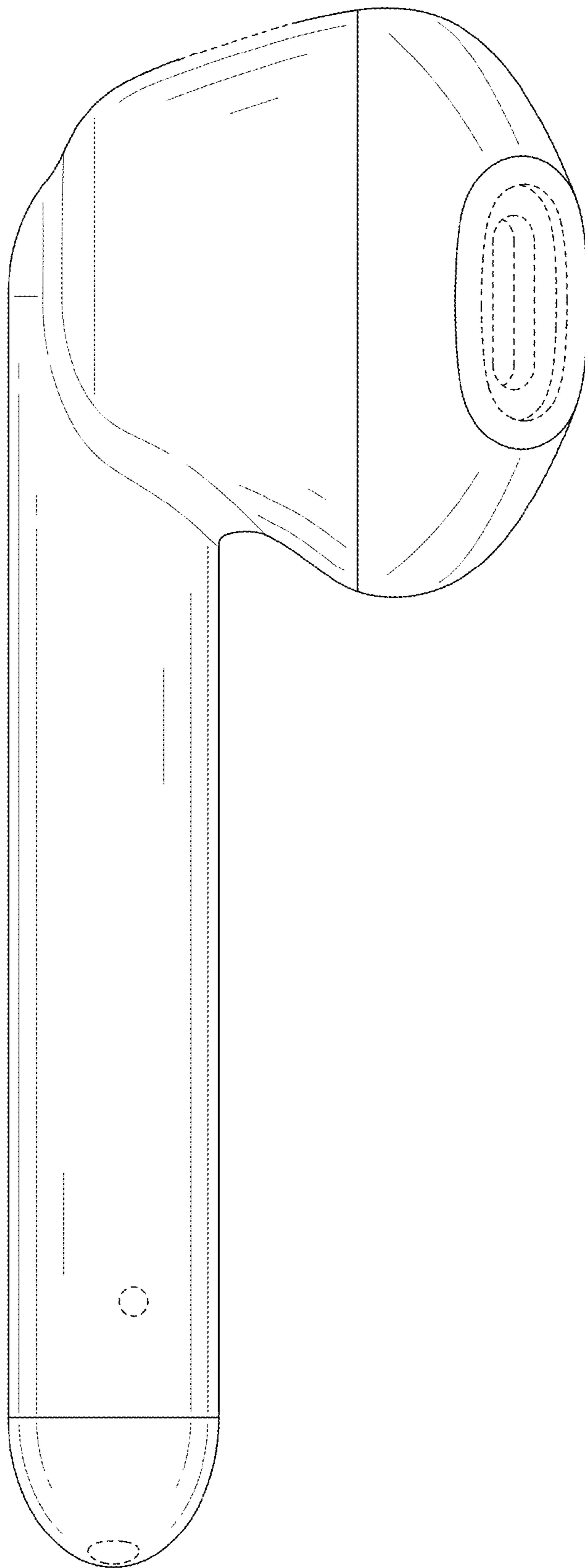


FIG. 6

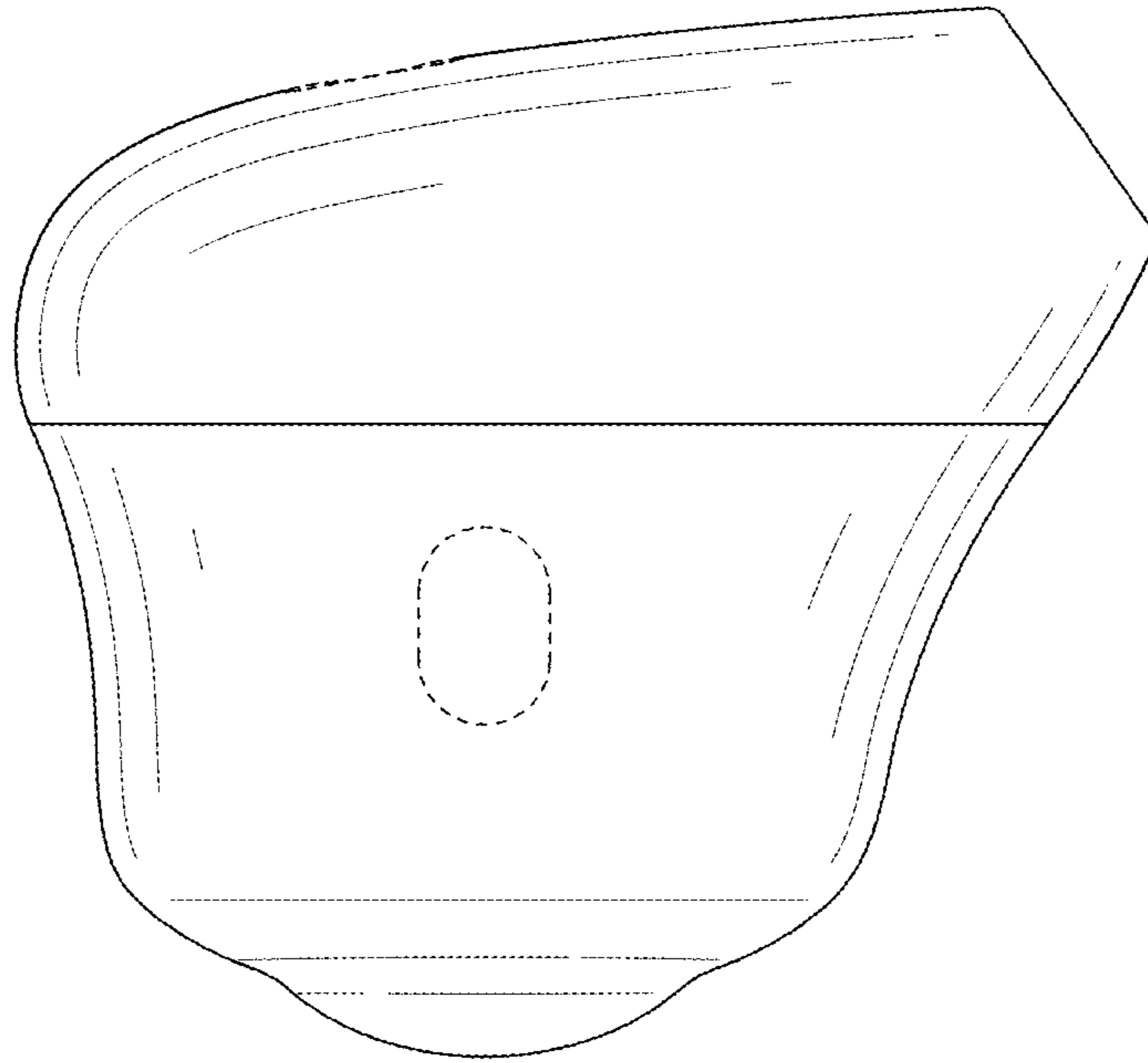


FIG. 7

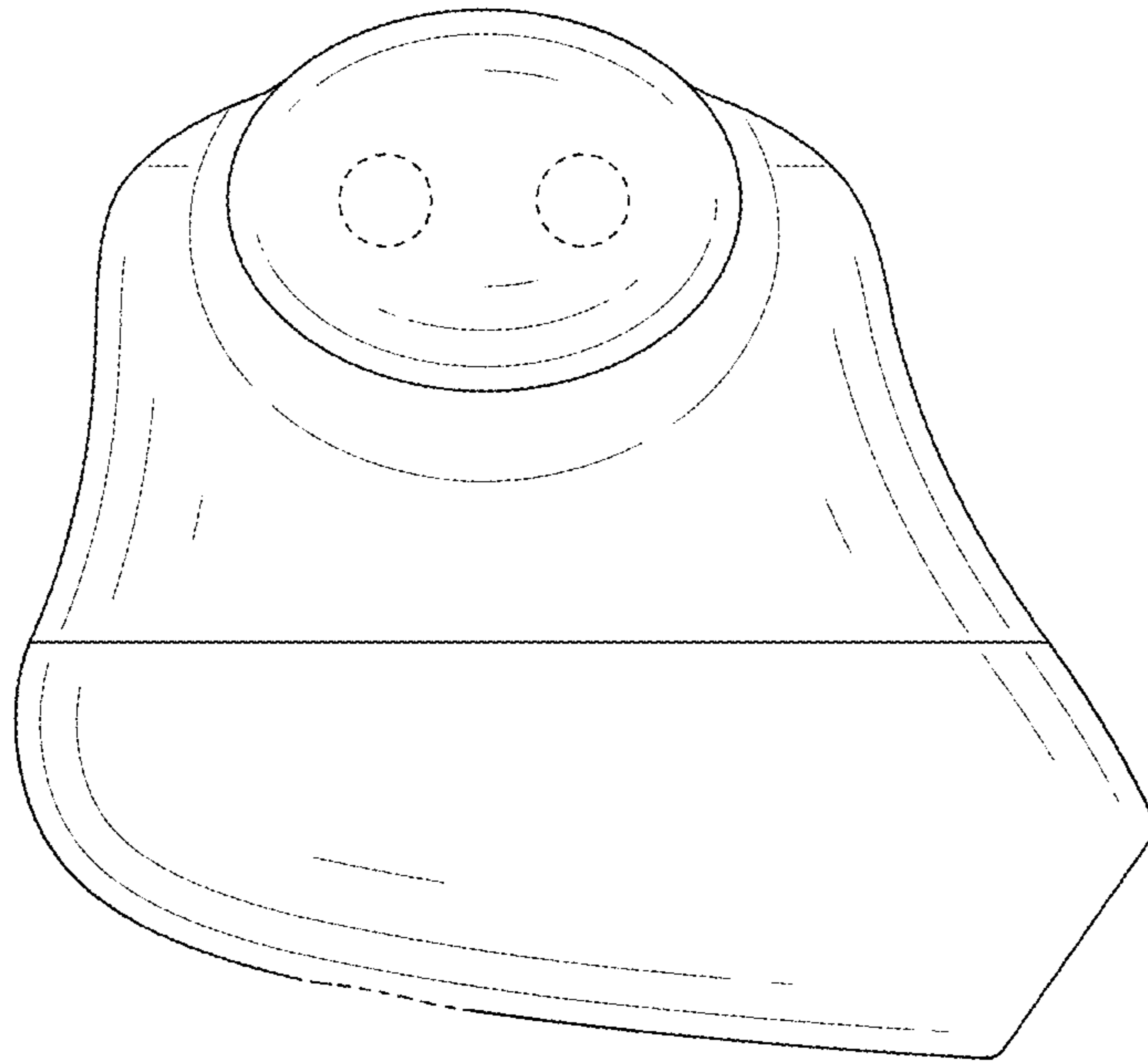


FIG. 8