

US00D878333S

(12) **United States Design Patent** (10) **Patent No.:** **US D878,333 S**  
**Vaclavik et al.** (45) **Date of Patent:** **\*\* Mar. 17, 2020**

(54) **LOUDSPEAKER**  
(71) Applicant: **Harman International Industries, Incorporated**, Northridge, CA (US)  
(72) Inventors: **Ondrej Vaclavik**, Shenzhen (CN); **Alexander Demin**, Shenzhen (CN)  
(73) Assignee: **Harman International Industries, Incorporated**, Northridge, CA (US)

D595,261 S 6/2009 Xie et al.  
D607,878 S 1/2010 Murray  
D609,718 S 2/2010 Chang et al.  
D615,530 S 5/2010 Dobson  
D633,898 S 3/2011 Seo et al.  
D640,667 S 6/2011 Lee et al.  
D659,679 S \* 5/2012 Aoki ..... D14/215  
D686,186 S 7/2013 Kaneko et al.  
D698,753 S \* 2/2014 Yiu ..... D14/216  
D713,094 S \* 9/2014 Garner ..... D28/9  
D719,137 S \* 12/2014 Cheng ..... D14/216  
D719,146 S 12/2014 Herbst et al.

(\*\*) Term: **15 Years**

(21) Appl. No.: **29/630,601**  
(22) Filed: **Dec. 21, 2017**  
(51) **LOC (12) Cl.** ..... **14-01**  
(52) **U.S. Cl.**  
USPC ..... **D14/209.1**  
(58) **Field of Classification Search**  
USPC ... D14/205, 207, 217, 221, 223, 224, 224.1,  
D14/225, 204, 209, 209.1, 210, 211, 212,  
D14/213, 214, 215, 216, 222; D24/173,  
D24/174  
CPC ..... H04R 1/10; H04R 1/1016; H04R 1/1066;  
H04R 1/105; H04R 1/1033; H04R 1/08;  
H04R 1/02; H04R 1/021; H04R 1/023;  
H04R 5/033; H04R 5/0335; H04R 5/00;  
H04R 25/00

See application file for complete search history.

(56) **References Cited**

**U.S. PATENT DOCUMENTS**

D303,970 S 10/1989 Collins et al.  
D334,193 S 3/1993 Jewitt et al.  
D393,468 S 4/1998 Dalby  
D402,660 S 12/1998 Swansey  
D487,075 S 2/2004 Dayan  
D496,651 S 9/2004 Borsboom  
D534,525 S 1/2007 Peng  
D537,073 S 2/2007 Peersman  
D563,391 S 3/2008 Skurdal

**OTHER PUBLICATIONS**

SL-1, posted © 2017 [online], retrieved Jun. 6, 2019, retrieved from internet, <https://www.lexicon.com/productdetail/-/product/sl-1.html>.\*

(Continued)

*Primary Examiner* — Barbara Fox  
*Assistant Examiner* — Messina L Smith  
(74) *Attorney, Agent, or Firm* — Plumsea Law Group, LLC

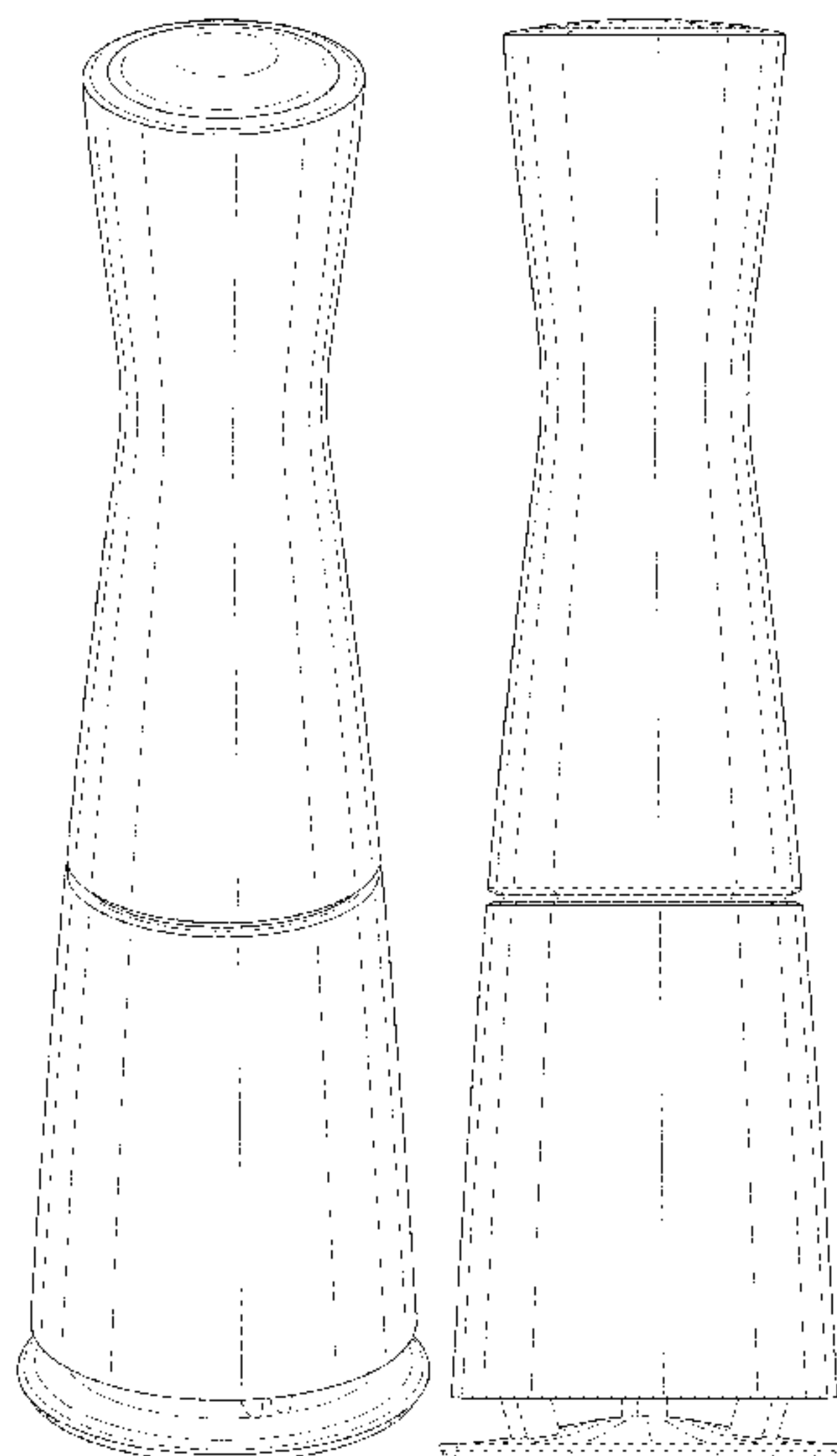
(57) **CLAIM**

The ornamental design for a loudspeaker, as shown and described.

**DESCRIPTION**

FIG. 1 is a perspective view of a loudspeaker showing the new design;  
FIG. 2 is a front elevation view thereof;  
FIG. 3 is a rear elevation view thereof;  
FIG. 4 is a left side elevation view thereof;  
FIG. 5 is a right side elevation view thereof;  
FIG. 6 is a top plan view thereof; and,  
FIG. 7 is a bottom plan view thereof.  
The broken lines shown in the drawings depict portions of the loudspeaker that form no part of the claimed design.

**1 Claim, 6 Drawing Sheets**



(56)

**References Cited**

## U.S. PATENT DOCUMENTS

D722,593 S 2/2015 Lin et al.  
D723,514 S 3/2015 Lukic et al.  
D731,463 S \* 6/2015 Ho ..... D14/214  
D803,181 S \* 11/2017 Feng ..... D14/172  
D811,367 S \* 2/2018 Vaclavik ..... D14/216  
D828,323 S \* 9/2018 Demin ..... D14/172  
D828,325 S \* 9/2018 Walker ..... D14/204  
D829,689 S \* 10/2018 Kim ..... D14/216  
D835,600 S \* 12/2018 Weiss ..... D14/204  
D836,602 S \* 12/2018 Huang ..... D14/210  
D837,762 S \* 1/2019 Demin ..... D14/204  
D839,855 S \* 2/2019 Park ..... D14/216  
D842,037 S \* 3/2019 Chen ..... D7/507  
D842,842 S \* 3/2019 Lee ..... D14/216  
2018/0288525 A1 \* 10/2018 Katz ..... H04R 1/323

## OTHER PUBLICATIONS

New Striking Harman Lexicon SL-1 Revealed, posted May 9, 2019 [online], retrieved Jun. 6, 2019, retrieved from internet, <https://essentialinstall.com/news/new-striking-harman-lexicon-sl-1-revealed/>. \*

Office Action dated Feb. 7, 2018 in Design U.S. Appl. No. 29/589,259.  
Amendment filed May 3, 2018 in Design U.S. Appl. No. 29/589,259.  
Office Action dated Jun. 19, 2018 in Design U.S. Appl. No. 29/589,263.

Amendment filed Jul. 6, 2018 in Design U.S. Appl. No. 29/589,263.  
Final Office Action dated Jun. 29, 2018 in Design U.S. Appl. No. 29/589,259.

Amendment filed Jul. 6, 2018 in Design U.S. Appl. No. 29/589,259.

\* cited by examiner

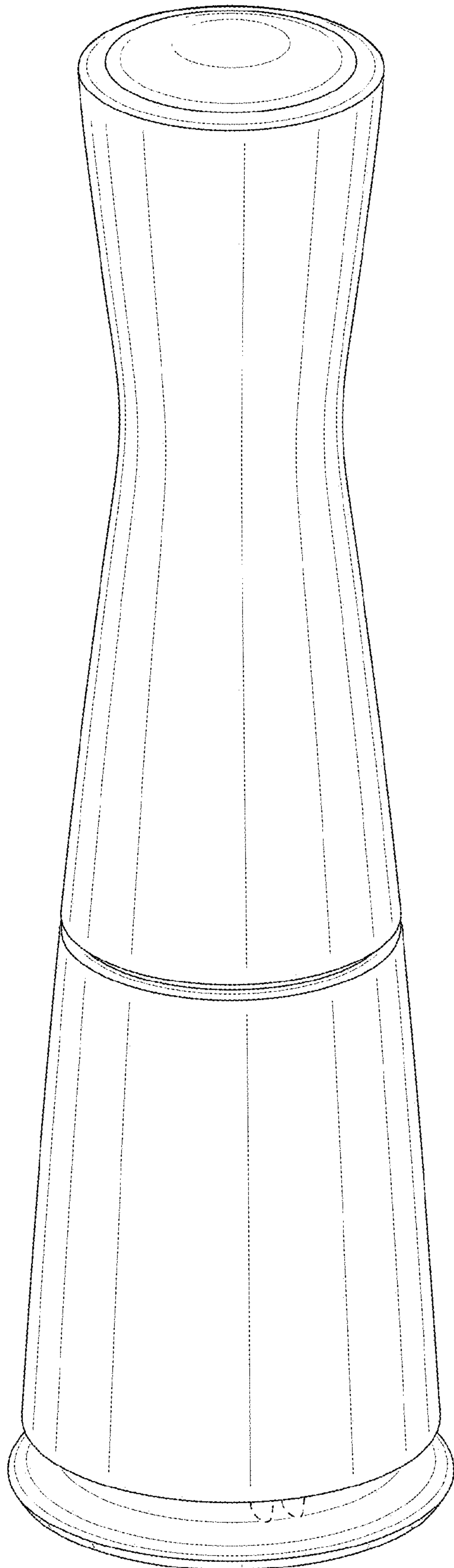


FIG. 1

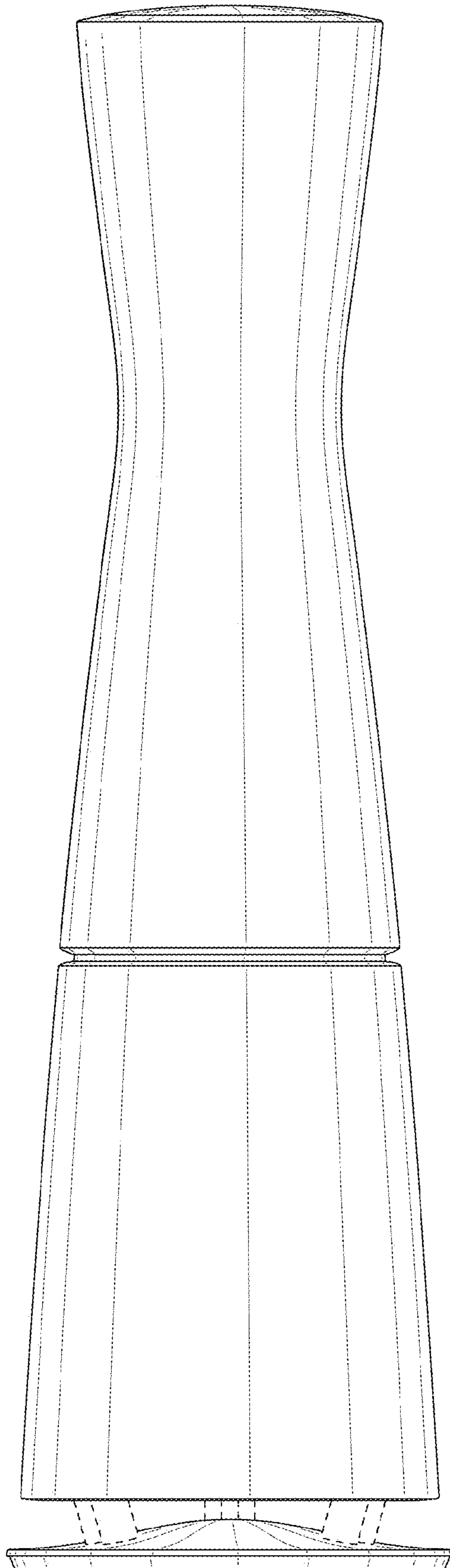


FIG. 2

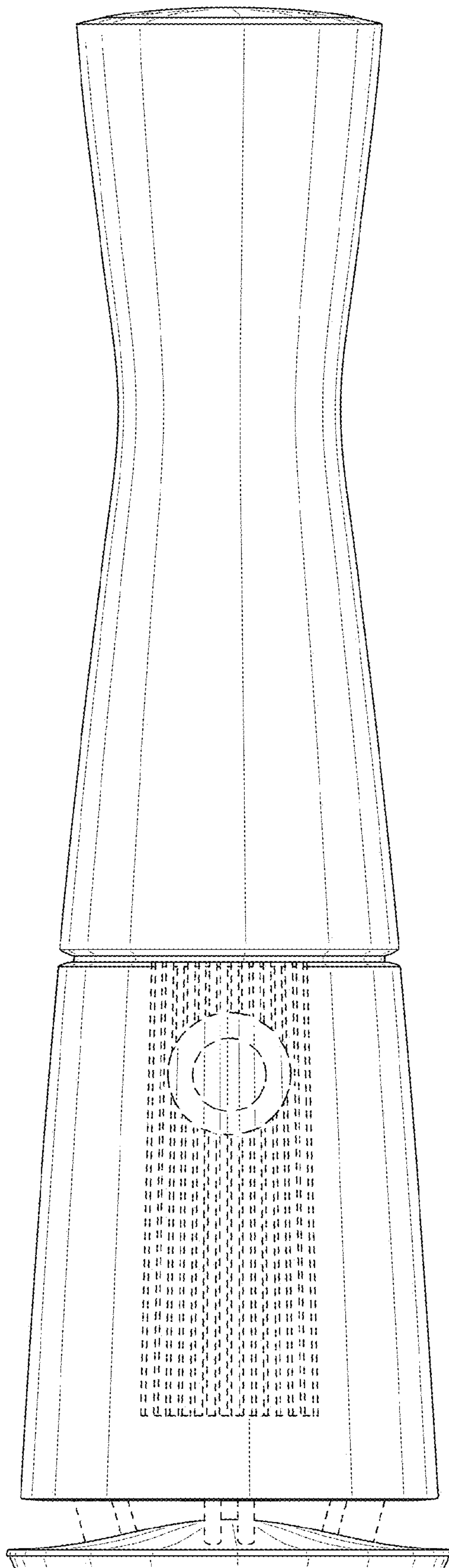


FIG. 3



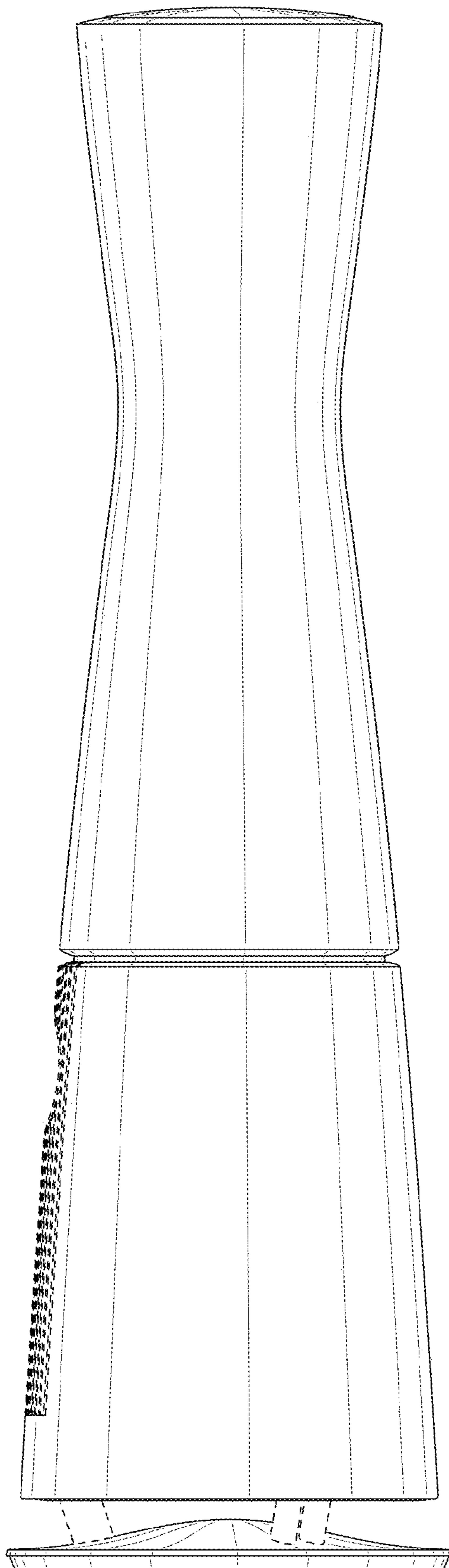


FIG. 4

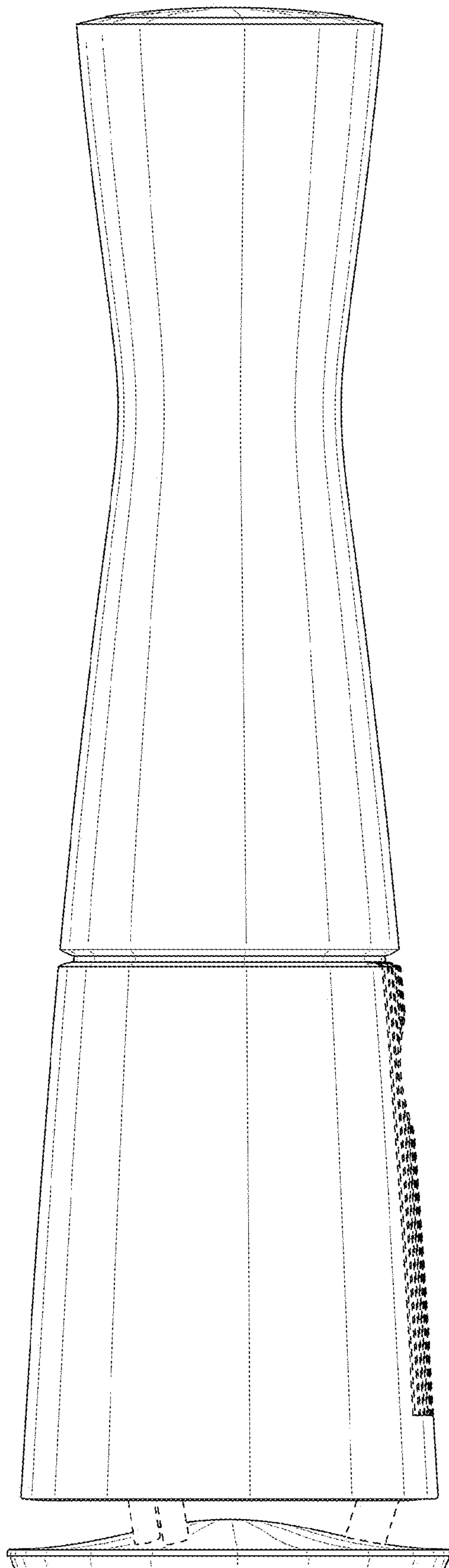


FIG. 5

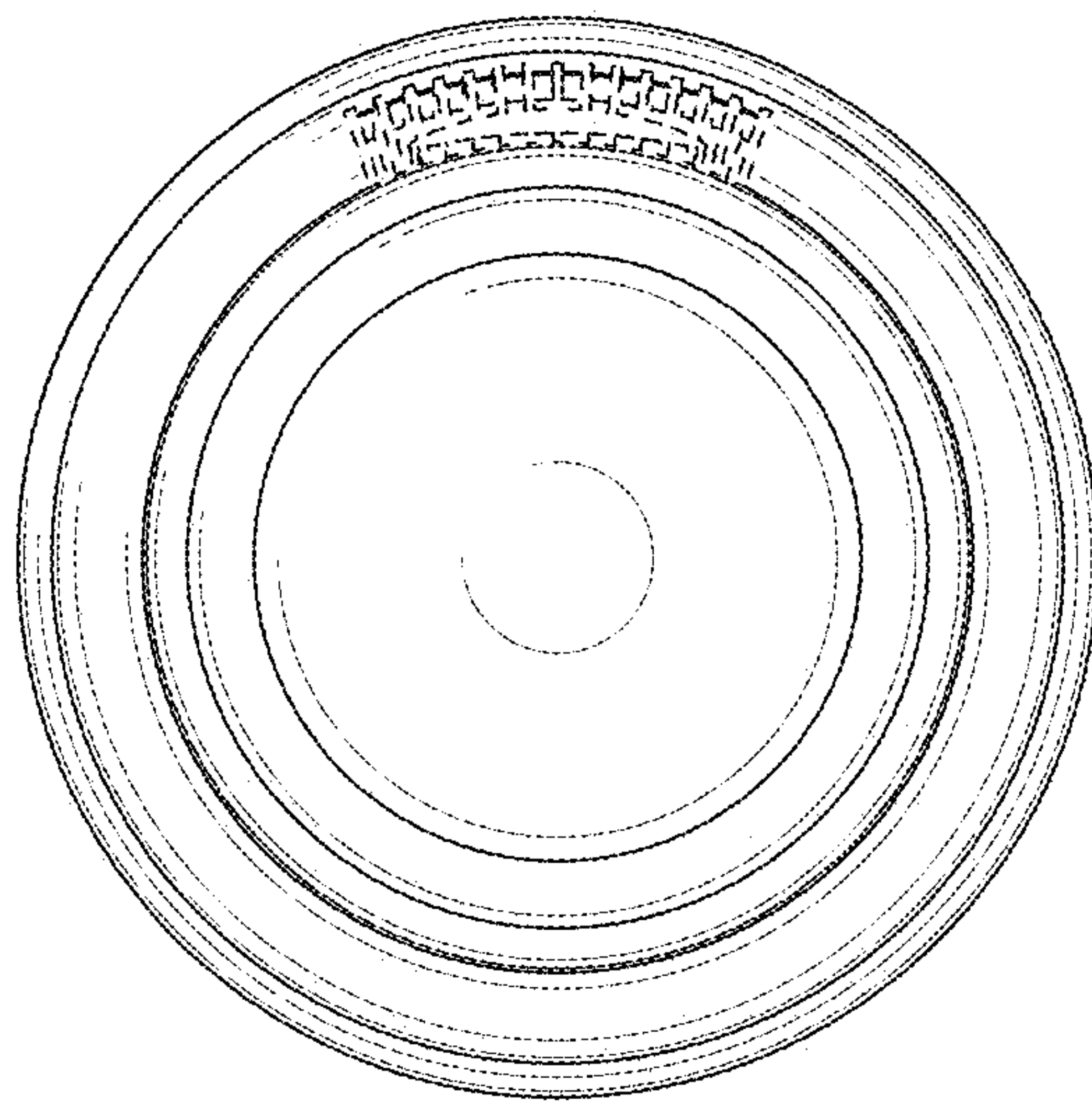


FIG. 6

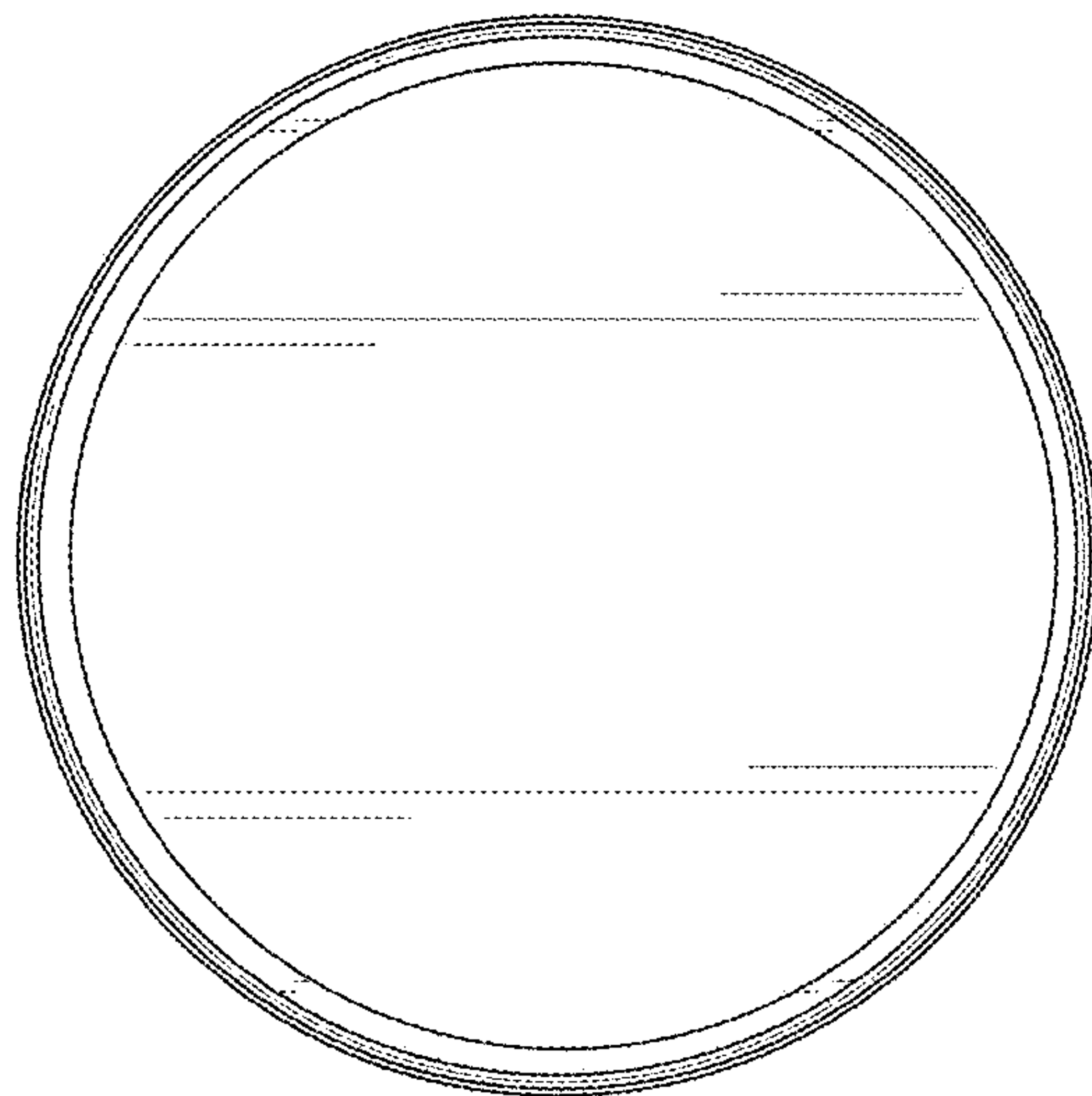


FIG. 7