

US00D878331S

(12) **United States Design Patent**
Tsubone et al.

(10) **Patent No.:** **US D878,331 S**
(45) **Date of Patent:** **** Mar. 17, 2020**

- (54) **HEADSET**
- (71) Applicant: **Audio-Technica Corporation**, Tokyo (JP)
- (72) Inventors: **Kodai Tsubone**, Tokyo (JP); **Shohei Araki**, Kanagawa (JP)
- (73) Assignee: **Audio-Technica Corporation**, Tokyo (JP)
- (**) Term: **15 Years**
- (21) Appl. No.: **29/665,618**
- (22) Filed: **Oct. 5, 2018**
- (30) **Foreign Application Priority Data**
Apr. 6, 2018 (JP) 2018-007627
- (51) **LOC (12) Cl.** **14-01**
- (52) **U.S. Cl.**
USPC **D14/206**; D14/226
- (58) **Field of Classification Search**
USPC D14/206, 226, 205, 188, 192; D29/112;
2/209; 181/129, 130, 135; 379/430, 431;
381/380, 381, 374; 455/90.3, 575.1,
455/569.1
CPC H04R 1/1066; H04R 1/1016; H04R 5/033;
H04R 5/0335; H04R 25/00; H04R 25/02;
H04R 1/105; H04R 1/1058; H04R 19/04
See application file for complete search history.

- (56) **References Cited**
U.S. PATENT DOCUMENTS
3,272,926 A * 9/1966 Falkenberg H04R 1/1008
381/372
3,548,118 A * 12/1970 Hutchings H04M 1/05
379/430
4,039,765 A * 8/1977 Tichy H04M 1/05
379/430
D255,569 S * 6/1980 Lung D14/168

- 4,420,657 A * 12/1983 Larkin H04M 1/05
181/129
 - D292,205 S * 10/1987 Kikutani 381/378
 - D302,677 S * 8/1989 Precht D13/108
 - 4,882,745 A * 11/1989 Silver H04M 1/05
455/575.2
 - 4,926,961 A * 5/1990 Gattey G10K 11/22
181/18
 - D317,767 S * 6/1991 Banks D14/205
 - 5,185,807 A * 2/1993 Bergin H04R 1/1066
181/128
 - D353,818 S * 12/1994 Nakamura D14/205
 - 5,640,458 A * 6/1997 Nishiguchi G11C 7/16
381/2
 - D380,663 S * 7/1997 Nakamura D8/354
 - D456,379 S * 4/2002 Fitzgerald D14/142
- (Continued)

FOREIGN PATENT DOCUMENTS

EM 005762507-0001 * 10/2018
Primary Examiner — Paula Allen Greene
(74) *Attorney, Agent, or Firm* — W&C IP

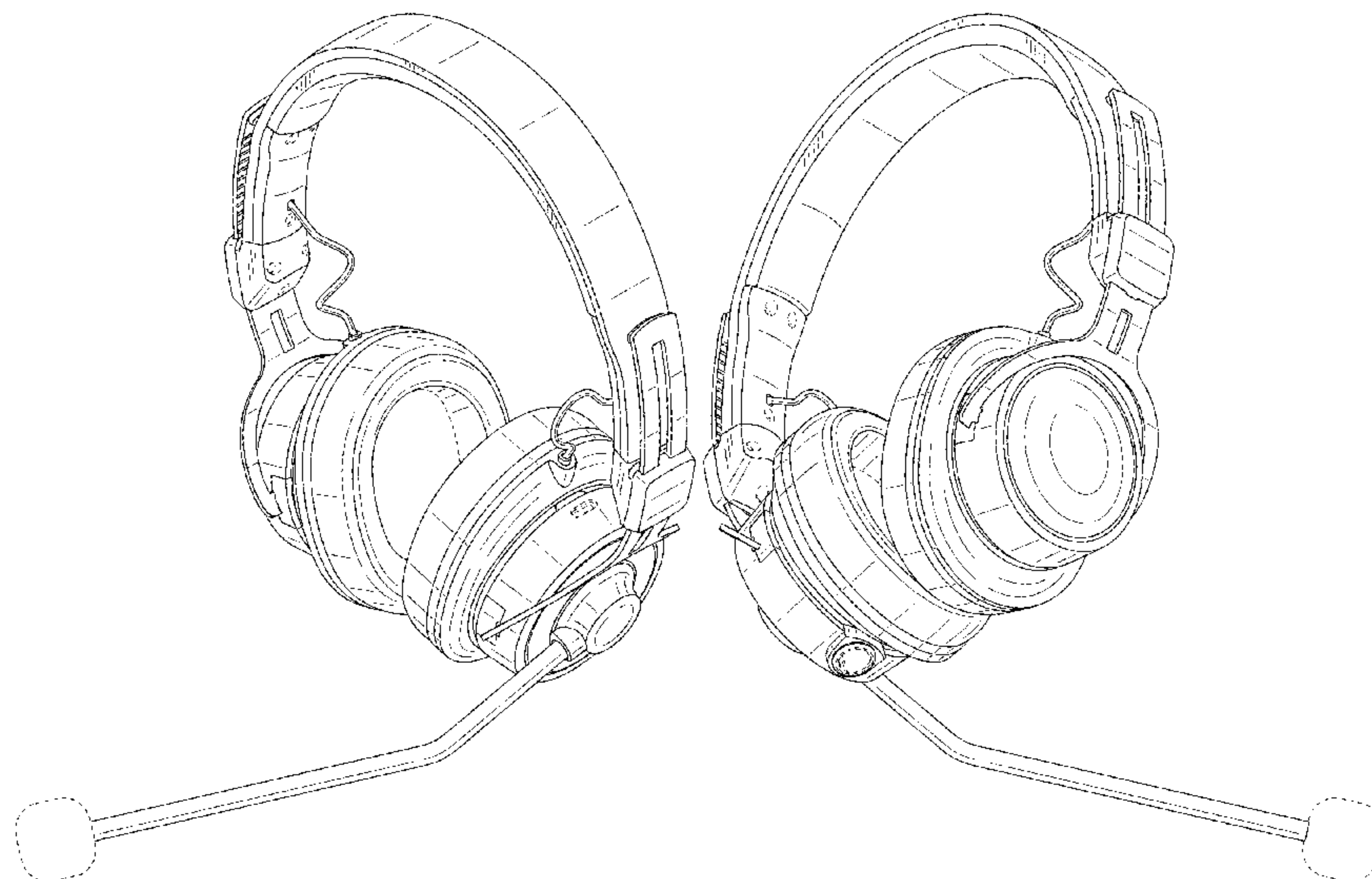
(57) **CLAIM**

The ornamental design for a headset, as shown and described.

DESCRIPTION

FIG. 1 is a front side perspective view of a headset; FIG. 2 is a rear side perspective view of the headset; FIG. 3 is a front elevational view of the headset; FIG. 4 is a rear elevational view of the headset; FIG. 5 is a top plan view of the headset; FIG. 6 is a bottom plan view of the headset; FIG. 7 is a left side elevational view of the headset; and, FIG. 8 is a right side elevational view of the headset. Portions of the drawings shown in broken lines form no part of the claimed design.

1 Claim, 8 Drawing Sheets



(56)

References Cited

U.S. PATENT DOCUMENTS

6,625,293 B1 * 9/2003 Nageno H04R 1/08
 181/20
 D517,941 S * 3/2006 Stern D11/86
 D518,474 S * 4/2006 Suzuki D14/205
 D519,497 S * 4/2006 Komiyama D14/223
 D560,654 S * 1/2008 Feng D14/205
 D570,825 S * 6/2008 Schultz D14/205
 D638,397 S * 5/2011 McManigal D14/205
 D649,864 S * 12/2011 Symons D8/356
 D654,471 S * 2/2012 Fischer D14/206
 D668,633 S * 10/2012 Enquist D14/205
 D673,524 S * 1/2013 Brennwald D14/206
 D677,241 S * 3/2013 Kelly D14/205
 D684,559 S * 6/2013 Groset D14/205
 D686,593 S * 7/2013 Larsen D14/205
 D700,590 S * 3/2014 Heath D14/205
 D712,872 S * 9/2014 Yuen D14/205
 D721,984 S * 2/2015 Paradise D11/86
 D722,590 S * 2/2015 Lu D14/205
 D722,998 S * 2/2015 Sancho D14/205
 D758,991 S * 6/2016 Petersen D14/205
 D763,228 S * 8/2016 Carr D14/206
 D781,265 S * 3/2017 Levine D14/205
 D806,675 S * 1/2018 Fuglsang D14/206
 D806,676 S * 1/2018 Fuglsang D14/206

D809,474 S * 2/2018 Attal D14/205
 D810,718 S * 2/2018 Galler D14/205
 D811,362 S * 2/2018 Petersen D14/205
 D811,365 S * 2/2018 Czaniecki D14/205
 D826,895 S * 8/2018 Sharp D14/205
 D830,330 S * 10/2018 Petersen D14/205
 D832,811 S * 11/2018 Levine D14/205
 D837,763 S * 1/2019 Suzuki D14/205
 D842,270 S * 3/2019 Chen D14/205
 D849,713 S * 5/2019 Hanggi D14/205
 D851,627 S * 6/2019 ter Laag D14/205
 D851,629 S * 6/2019 Summerson D14/206
 D851,839 S * 6/2019 Scanlon D29/112
 D852,162 S * 6/2019 Pineau D14/204
 D859,353 S * 9/2019 Wagner D14/205
 D864,896 S * 10/2019 Zhang D14/205
 D864,903 S * 10/2019 Liu D14/206
 2001/0017925 A1 * 8/2001 Ceravolo H04M 1/05
 381/370
 2005/0201569 A1 * 9/2005 Kuraoka H04M 1/0289
 381/74
 2009/0238397 A1 * 9/2009 Reiss H04R 1/1058
 381/375
 2015/0195640 A1 * 7/2015 Essabar H04R 5/0335
 381/378
 2017/0272852 A1 * 9/2017 Kamada H04R 1/1075

* cited by examiner

FIG. 1



FIG. 2



FIG. 3

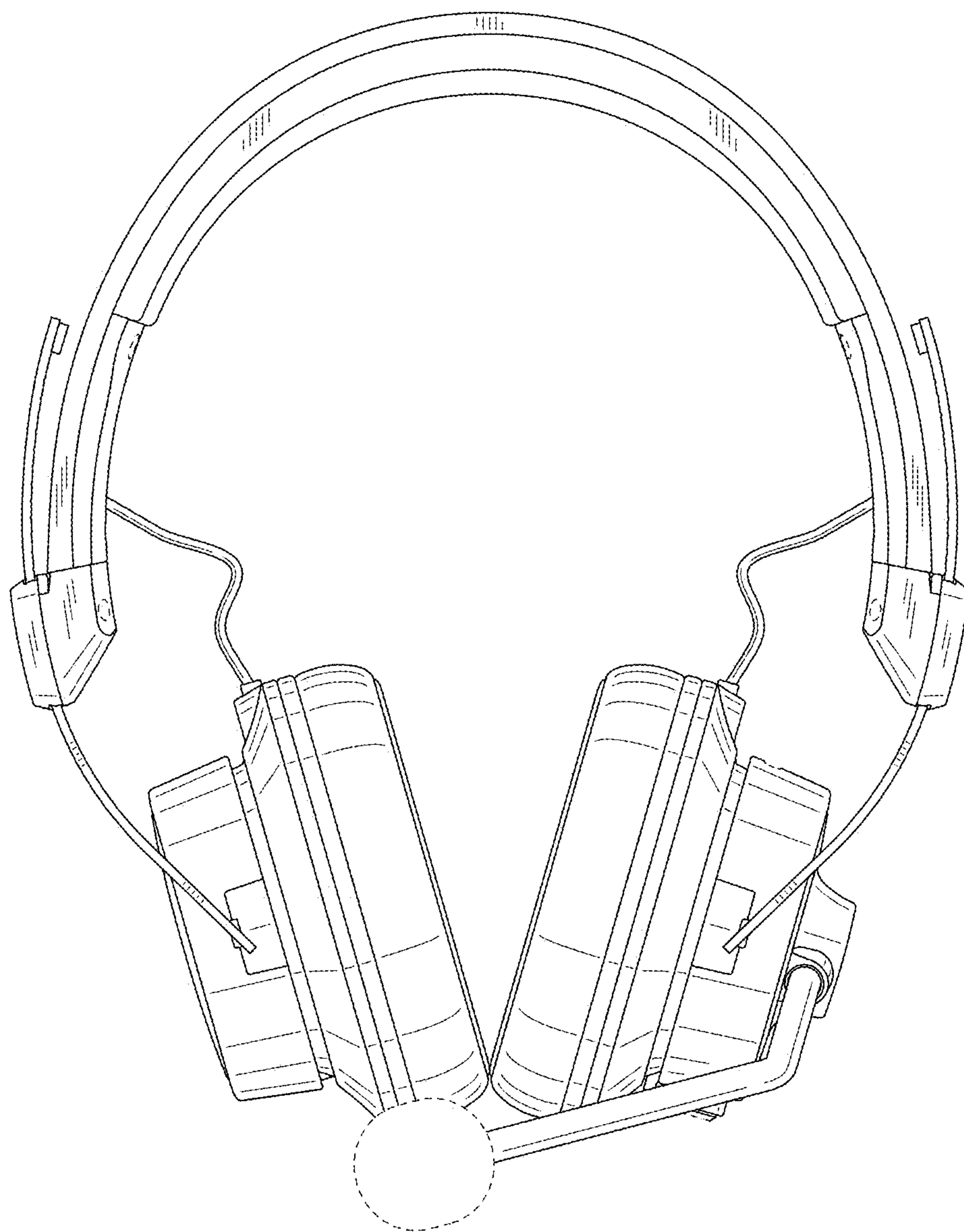


FIG. 4



FIG. 5

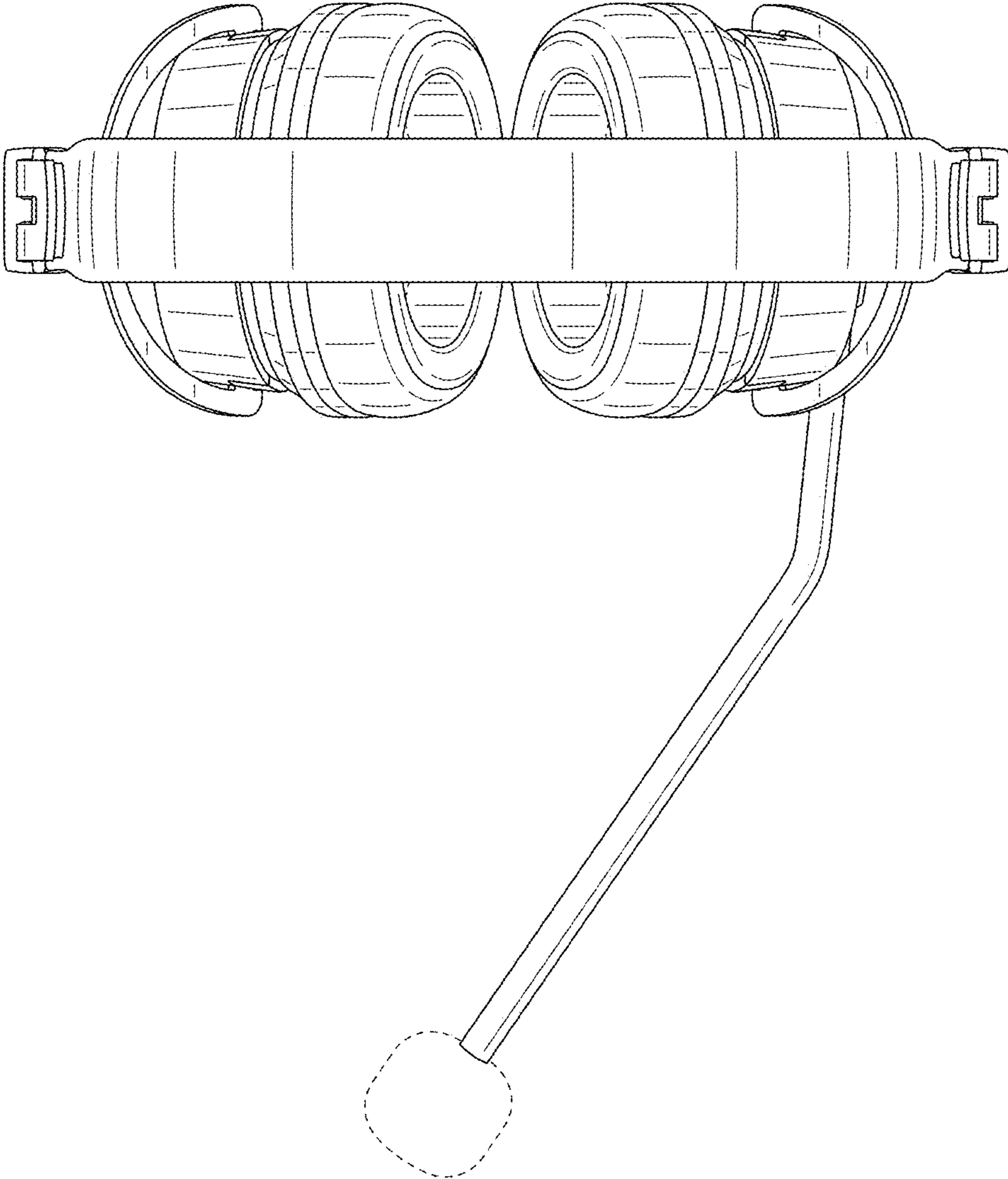


FIG. 6

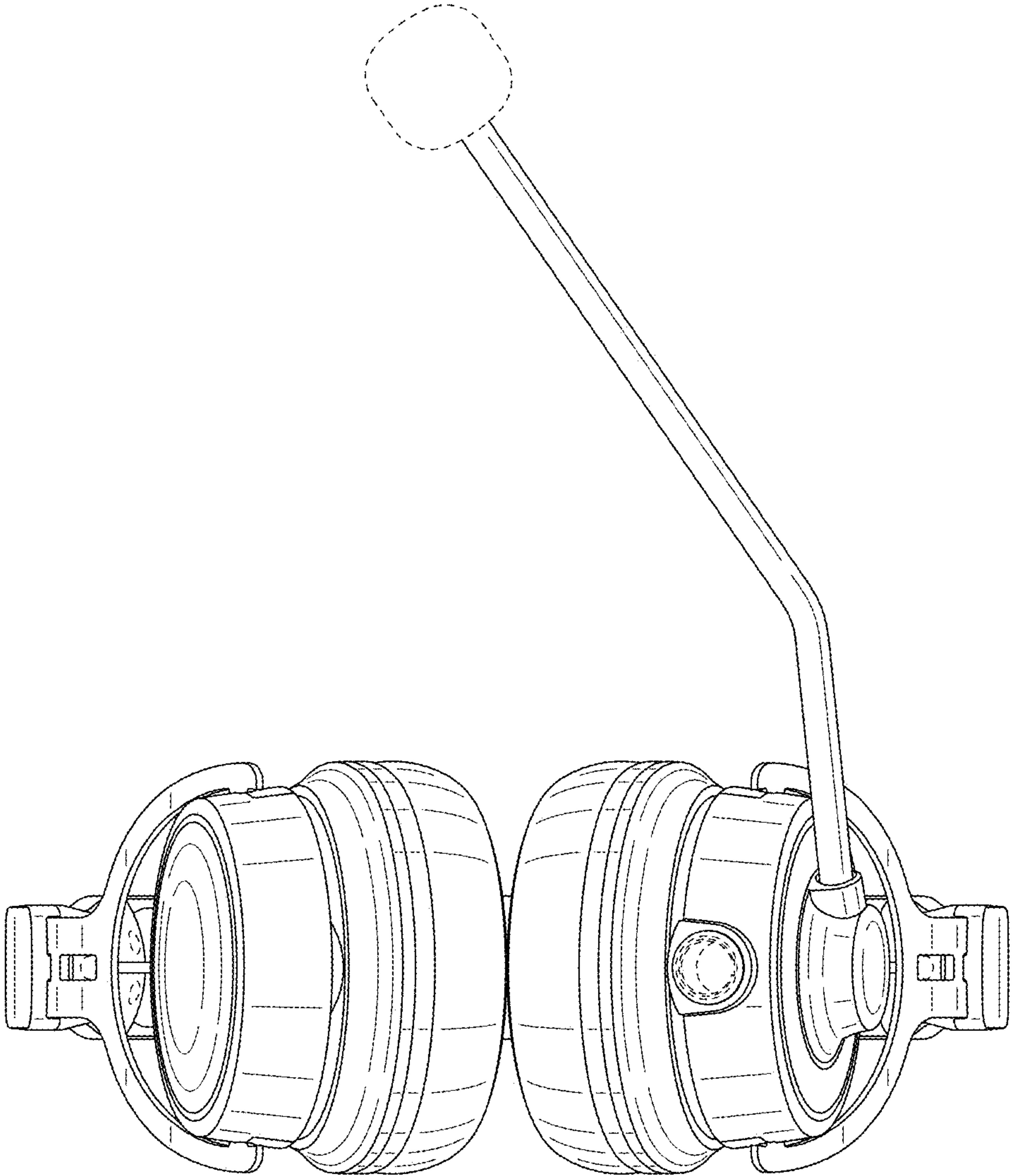


FIG. 7



FIG. 8

