



US00D878329S

(12) **United States Design Patent**
Levine et al.

(10) **Patent No.:** **US D878,329 S**
(45) **Date of Patent:** **** Mar. 17, 2020**

- (54) **HEADSET**
- (71) Applicant: **New Audio LLC**, New York, NY (US)
- (72) Inventors: **Jonathan E. Levine**, New York, NY (US); **Drew Stone Briggs**, Seattle, WA (US)
- (73) Assignee: **New Audio LLC**, New York, NY (US)
- (**) Term: **15 Years**
- (21) Appl. No.: **29/668,949**
- (22) Filed: **Nov. 2, 2018**

2,394,374 A	2/1946	Gilman	
2,413,345 A	12/1946	Gilman	
2,486,267 A	10/1949	Dulinsky	
2,510,344 A	6/1950	Law	
2,782,423 A	2/1957	Simon et al.	
3,440,663 A	4/1969	Beguín	
3,454,964 A *	7/1969	Brinkhoff	A61F 11/14 2/209
3,488,457 A	1/1970	Lahti	
3,797,045 A	3/1974	Aho	
D235,210 S	5/1975	Hill	
3,922,725 A	12/1975	Csiki et al.	
D246,519 S	11/1977	Kato	
4,175,217 A	11/1979	Williams	
4,472,607 A	9/1984	Houng	
4,829,571 A	5/1989	Kakiuchi	
5,035,005 A	7/1991	Hung	
5,068,923 A *	12/1991	Sjoqvist	A61F 11/14 181/129
D328,074 S *	7/1992	Yamazaki	D14/205
5,233,650 A	8/1993	Chan	
5,293,647 A	3/1994	Mirmilshiteyn	
5,438,626 A	8/1995	Nueman	

Related U.S. Application Data

- (62) Division of application No. 29/599,994, filed on Apr. 7, 2017, now Pat. No. Des. 832,813.
- (51) **LOC (12) Cl.** **14-01**
- (52) **U.S. Cl.**
USPC **D14/205**
- (58) **Field of Classification Search**
USPC D14/205, 223; D29/112; 2/209;
181/129, 130, 135; 379/430, 431;
381/380, 381, 374; 455/90.3, 575.1,
455/569.1
CPC H04R 1/1066; H04R 1/1016; H04R 5/033;
H04R 5/0335; H04R 25/00; H04R 1/10
See application file for complete search history.

(56) **References Cited**

U.S. PATENT DOCUMENTS

1,127,161 A	2/1915	Baldwin
1,367,746 A	2/1921	Kent
1,483,315 A	2/1924	Saal
1,489,978 A	4/1924	Oscar
1,587,409 A	6/1926	Ouillette
1,649,551 A	11/1927	Smith
2,235,372 A	3/1941	Otto

(Continued)

Primary Examiner — Paula Allen Greene

(74) *Attorney, Agent, or Firm* — Perkins Coie LLP

(57) **CLAIM**

The ornamental design for a headset, as shown and described.

DESCRIPTION

FIG. 1 is a perspective view of a headset showing our new design.

FIG. 2 is a front elevational view thereof.

FIG. 3 is a back elevational view thereof.

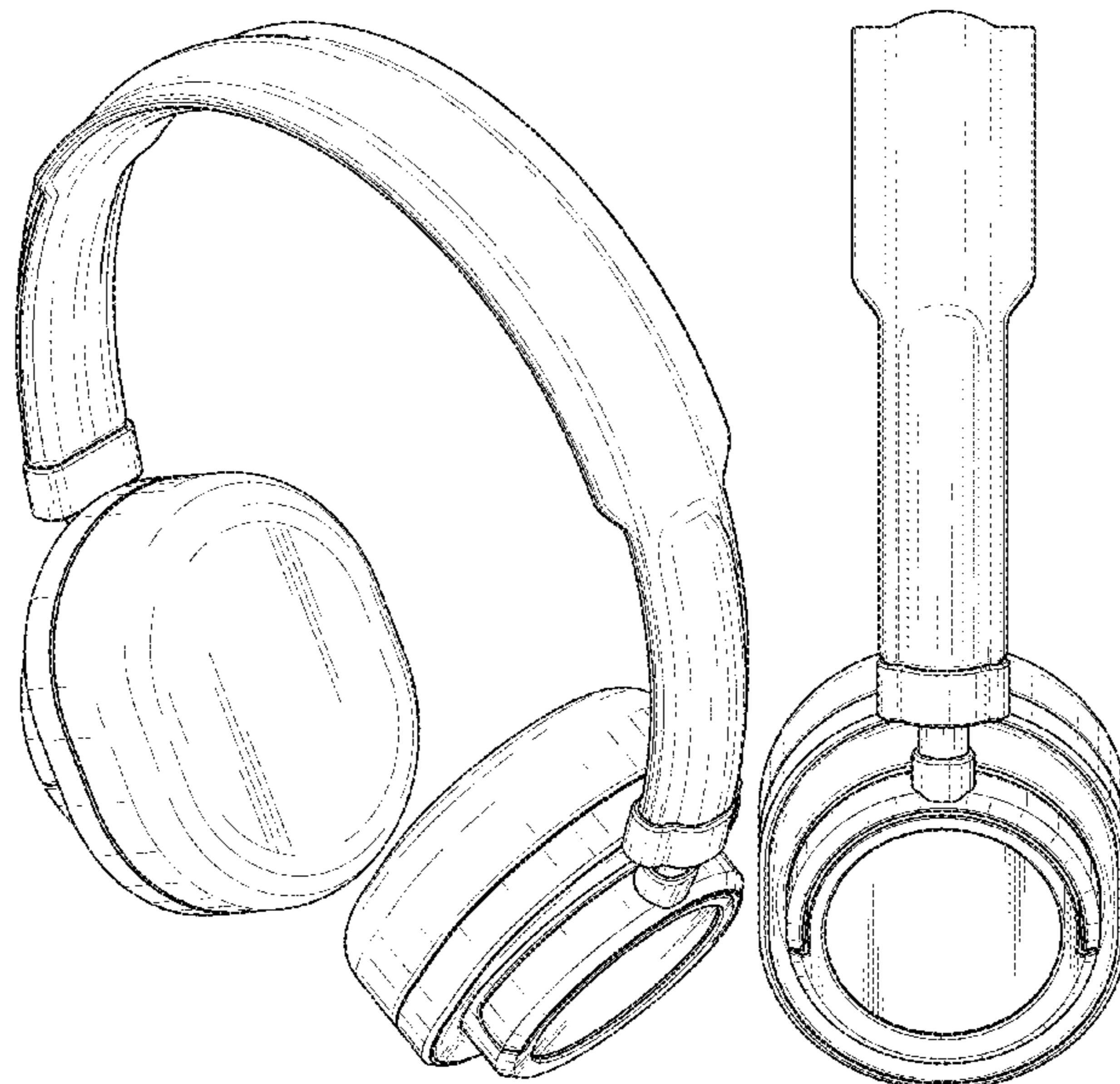
FIG. 4 is an outer side elevational view thereof.

FIG. 5 is an opposite outer side elevational view thereof.

FIG. 6 is a top plan view thereof; and,

FIG. 7 is a bottom plan view thereof.

1 Claim, 5 Drawing Sheets



(56)

References Cited

U.S. PATENT DOCUMENTS

D410,466 S 6/1999 Mouri et al.
 D431,550 S 10/2000 Yoneda
 D484,485 S 12/2003 Matsuoka
 D491,163 S * 6/2004 Green D14/205
 D508,483 S 8/2005 Suzuki
 D514,087 S 1/2006 Wilson
 D517,527 S 3/2006 Suzuki
 D560,654 S 1/2008 Feng et al.
 D563,382 S * 3/2008 Wikel D14/205
 D567,215 S 4/2008 Lee
 D573,581 S * 7/2008 Gondo D14/205
 D585,871 S * 2/2009 Lee D14/205
 D594,847 S * 6/2009 Suzuki D14/205
 D633,471 S 3/2011 Sugiyama
 D642,554 S * 8/2011 Schaal D14/205
 D665,775 S * 8/2012 Katsumata D14/205
 8,325,962 B2 12/2012 Ishida
 8,737,668 B1 5/2014 Blair et al.
 D706,240 S * 6/2014 Szymanski H04R 1/1066
 D14/205
 D706,241 S * 6/2014 Szymanski H04R 1/1066
 D14/205
 D721,052 S * 1/2015 Carr D14/205
 D722,998 S 2/2015 Sancho
 D726,174 S 4/2015 Wahlin
 D727,280 S 4/2015 Levine
 D727,281 S 4/2015 Levine
 D728,512 S 5/2015 Nakagawa
 D729,194 S * 5/2015 Boeckel D14/205
 D733,090 S 6/2015 Petersen
 D736,174 S 8/2015 Levine
 D736,175 S 8/2015 Levine
 D739,842 S * 9/2015 Birger D14/205
 D741,842 S 10/2015 Levine
 D758,337 S * 6/2016 Szymanski D14/205
 D761,761 S * 7/2016 Ando D14/205
 D762,190 S 7/2016 Levine
 D762,191 S 7/2016 Levine

D765,055 S 8/2016 Hsieh et al.
 D767,531 S * 9/2016 Szymanski D14/205
 D772,841 S 11/2016 Levine
 D780,155 S 2/2017 Levine et al.
 D781,265 S 3/2017 Levine
 D781,814 S 3/2017 Levine
 D794,603 S 8/2017 Riggs et al.
 9,729,954 B2 8/2017 Levine et al.
 D800,691 S * 10/2017 Ando D14/205
 D805,056 S 12/2017 Levine
 D810,055 S 2/2018 Levine
 D811,365 S * 2/2018 Czaniecki D14/205
 D812,588 S 3/2018 Levine
 D813,194 S 3/2018 Loh et al.
 D820,810 S 6/2018 Levine et al.
 D832,811 S 11/2018 Levine et al.
 D832,813 S * 11/2018 Levine D14/205
 D851,627 S * 6/2019 ter Laag D14/205
 D852,163 S * 6/2019 Nagamine D14/205
 D852,166 S * 6/2019 Levine D14/205
 D857,654 S * 8/2019 Levine D14/205
 D858,481 S * 9/2019 Saule D14/205
 D858,483 S * 9/2019 Hu D14/205
 D859,353 S * 9/2019 Wagner D14/205
 D859,354 S * 9/2019 Xia D14/205
 D865,706 S * 11/2019 Li D14/205
 2008/0056525 A1 3/2008 Fujiwara et al.
 2010/0177907 A1 7/2010 Morisawa
 2010/0310093 A1 * 12/2010 Semcken H04R 1/1058
 381/104
 2012/0070028 A1 3/2012 Margulies
 2014/0363016 A1 * 12/2014 Blonder H04R 1/1025
 381/74
 2017/0041696 A1 2/2017 Levine et al.
 2017/0041697 A1 2/2017 Levine
 2017/0134845 A1 5/2017 Milam
 2017/0339479 A1 11/2017 Levine
 2018/0020277 A1 1/2018 Briggs
 2018/0020278 A1 1/2018 Levine et al.

* cited by examiner

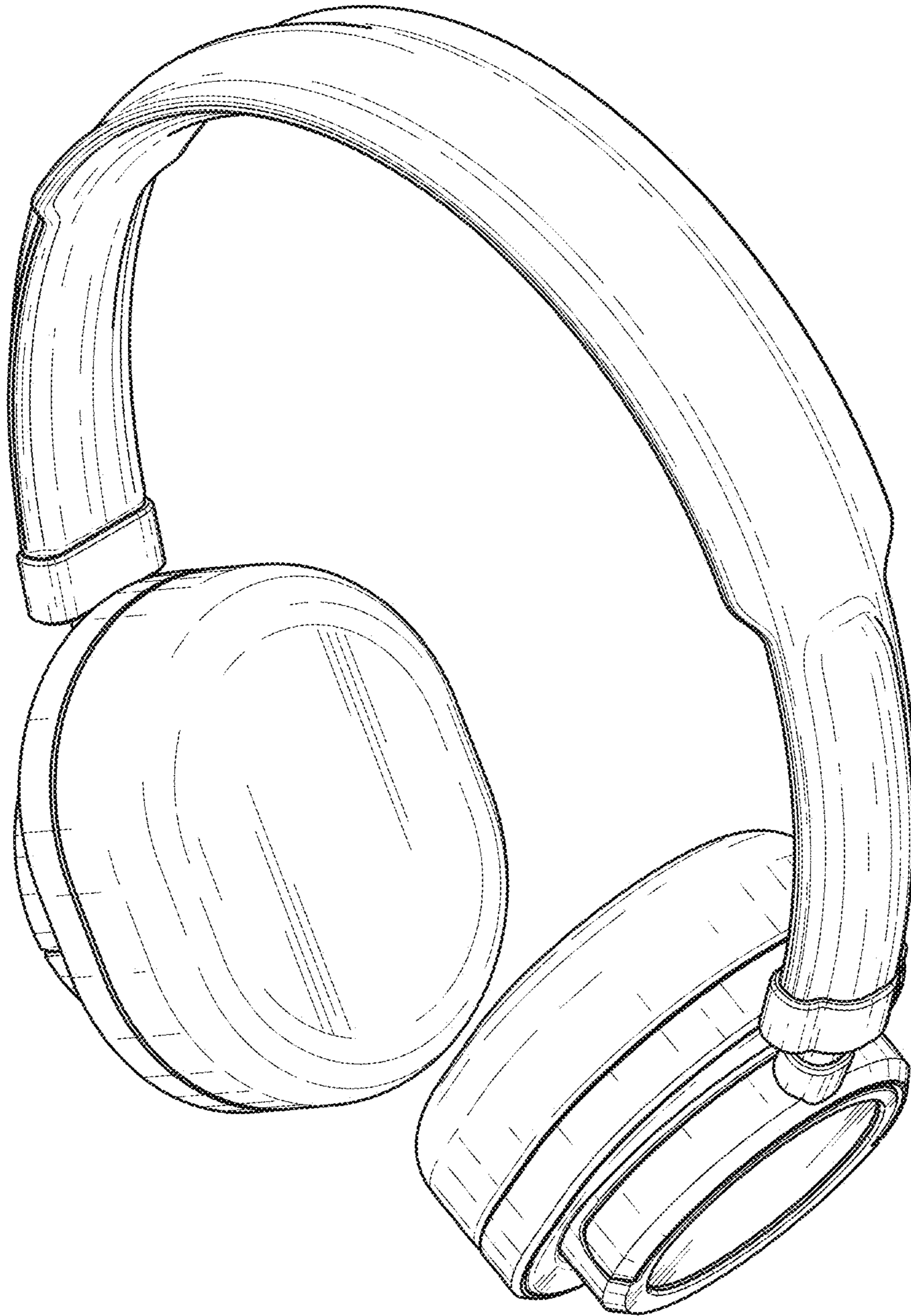


Fig. 1



Fig. 2



Fig. 3

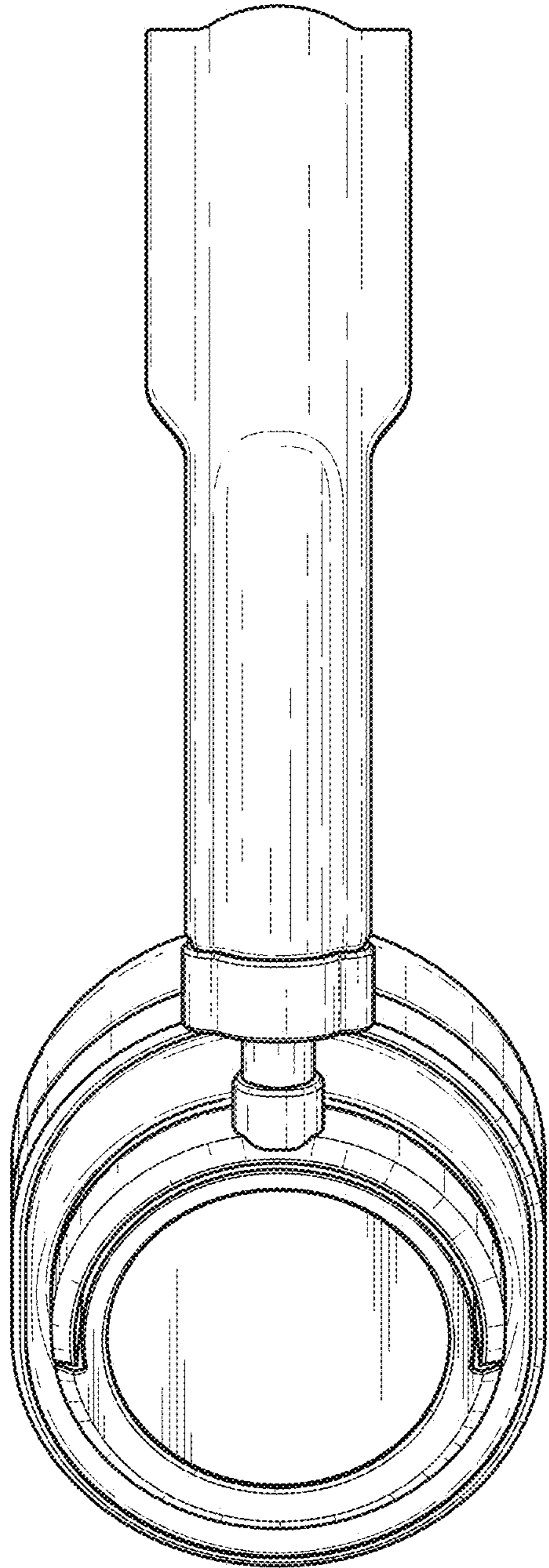


Fig. 4

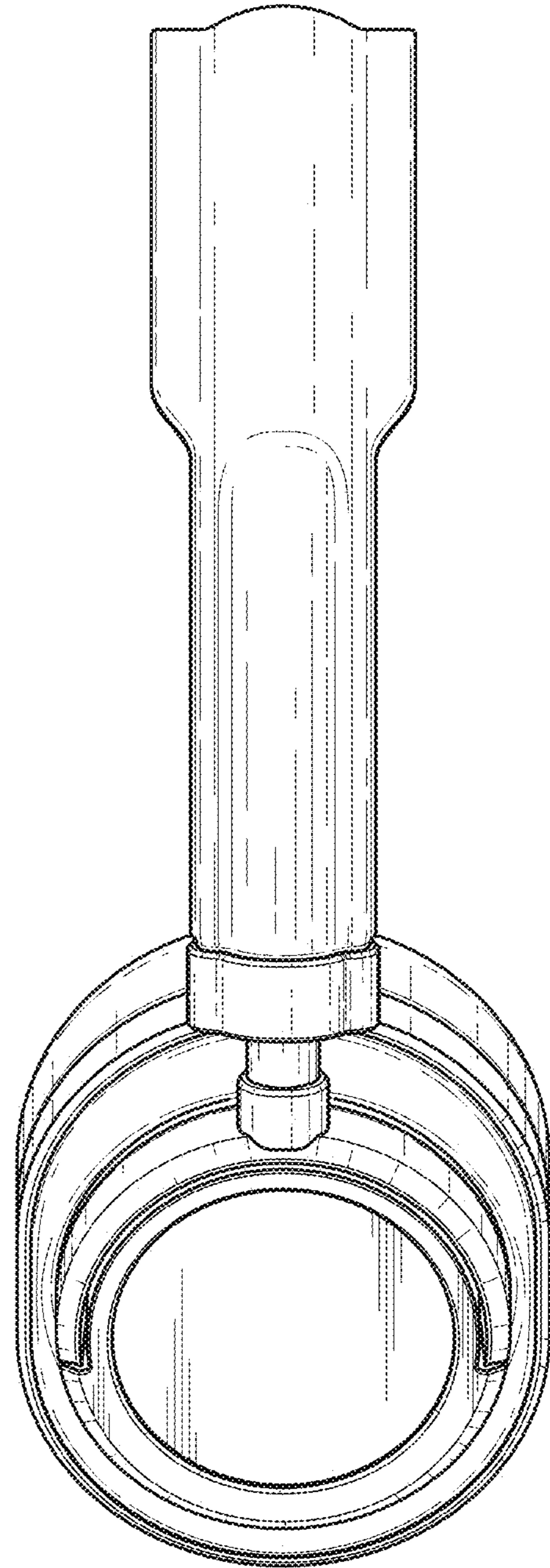


Fig. 5

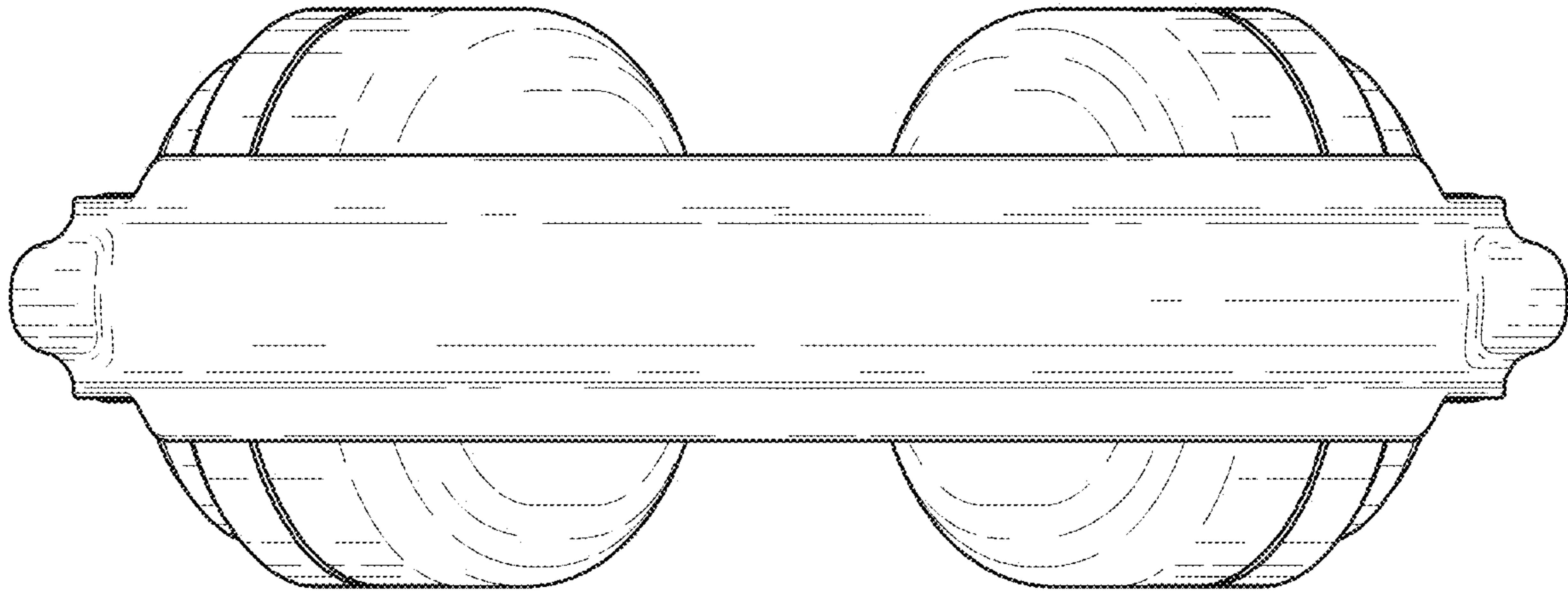


Fig. 6

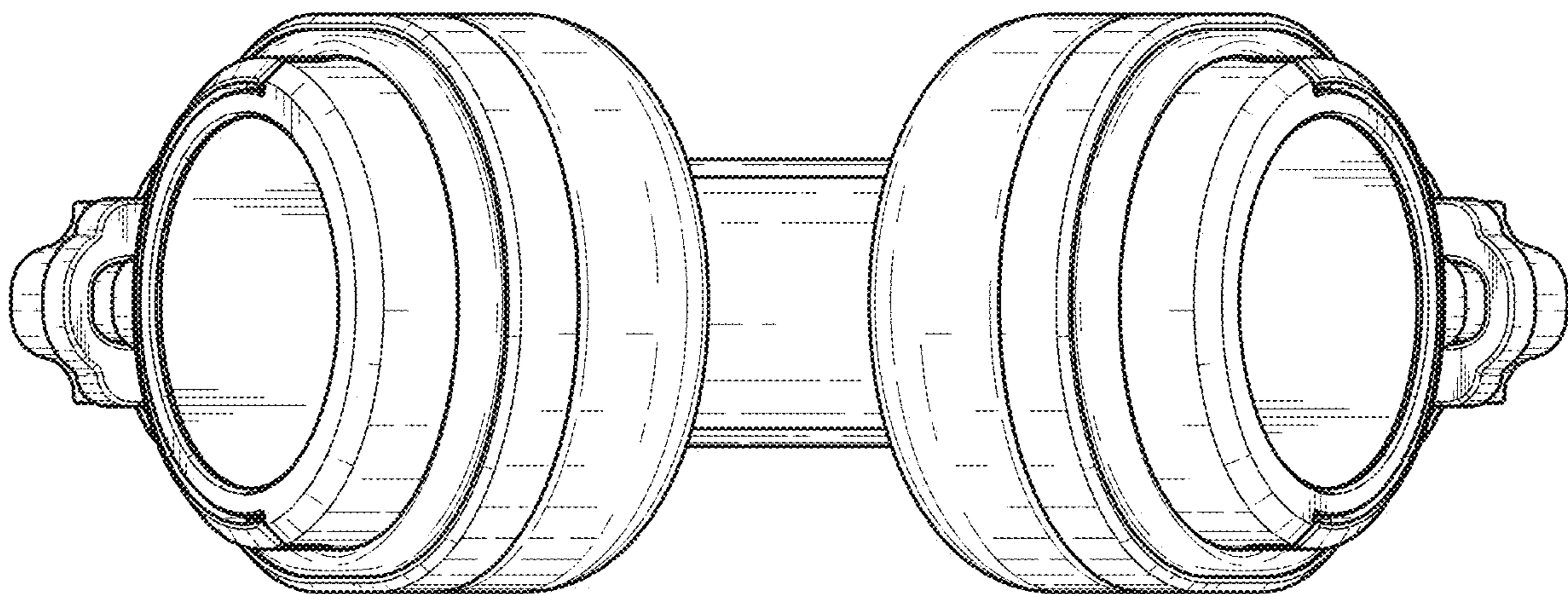


Fig. 7